



US00D408807S

United States Patent [19]
Stropkay et al.

[11] **Patent Number: Des. 408,807**

[45] **Date of Patent: **Apr. 27, 1999**

[54] **CABINET FOR A SET-TOP AUXILIARY CONTROL BOX FOR TELEVISION SET**

[75] Inventors: **Scott E. Stropkay**, Carlisle; **Mark A. Nichols**, Cambridge, both of Mass.

[73] Assignee: **Gemstar Development Corporation**, Pasadena, Calif.

[**] Term: **14 Years**

[21] Appl. No.: **29/062,780**

[22] Filed: **Nov. 21, 1996**

Related U.S. Application Data

[63] Continuation of application No. 29/044,634, Sep. 27, 1995, abandoned.

[51] **LOC (6) Cl.** **21-01**

[52] **U.S. Cl.** **D14/117.9**

[58] **Field of Search** D14/124, 125, D14/188, 239, 299; 312/7.1, 7.2; 348/10, 11, 6; D13/110, 184; 455/6.1, 3.1; D21/332, 333

[56] **References Cited**

U.S. PATENT DOCUMENTS

- D. 212,158 9/1968 Anders D14/125
- D. 243,194 1/1977 Nordberg et al. D14/125
- D. 289,871 5/1987 Besford D14/125

- D. 347,424 5/1994 Hill D14/125
- D. 347,631 6/1994 Terleski D14/125
- D. 358,812 5/1995 Boyd D14/125
- D. 383,456 9/1997 Pierce et al. D14/125
- D. 386,124 11/1997 Boyd et al. D14/125

OTHER PUBLICATIONS

Video Review, Jul. 1989, p. 88.

Primary Examiner—Prabhakar G. Deshmukh
Attorney, Agent, or Firm—Christie, Parker & Hale, LLP

[57] **CLAIM**

The ornamental design for a cabinet for a set-top auxiliary control box for television set, as shown and described.

DESCRIPTION

FIG. 1 is a perspective view of a cabinet for a set-top auxiliary control box for a television set showing our new design;

FIG. 2 is a front elevational view thereof;

FIG. 3 is a right side elevational view thereof; the left side elevational view being a mirror image thereof;

FIG. 4 is a top plan view thereof;

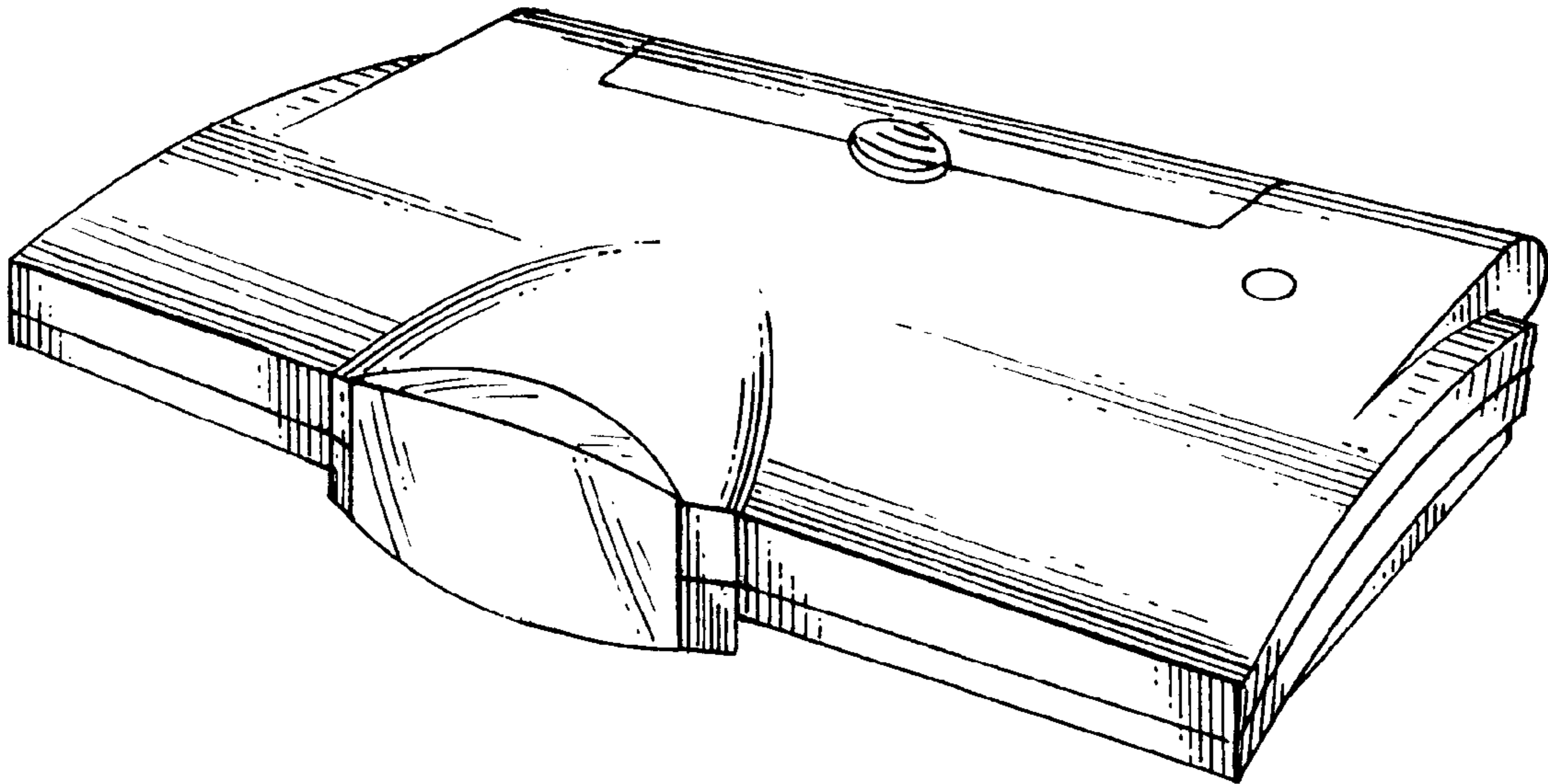
FIG. 5 is a bottom plan view thereof;

FIG. 6 is a rear elevational view thereof; and,

FIG. 7 is another embodiment of FIG. 1.

The undisclosed sides of the FIG. 7 embodiment are similar to FIGS. 1, 3 and 4 of the FIG. 1 embodiment.

1 Claim, 2 Drawing Sheets



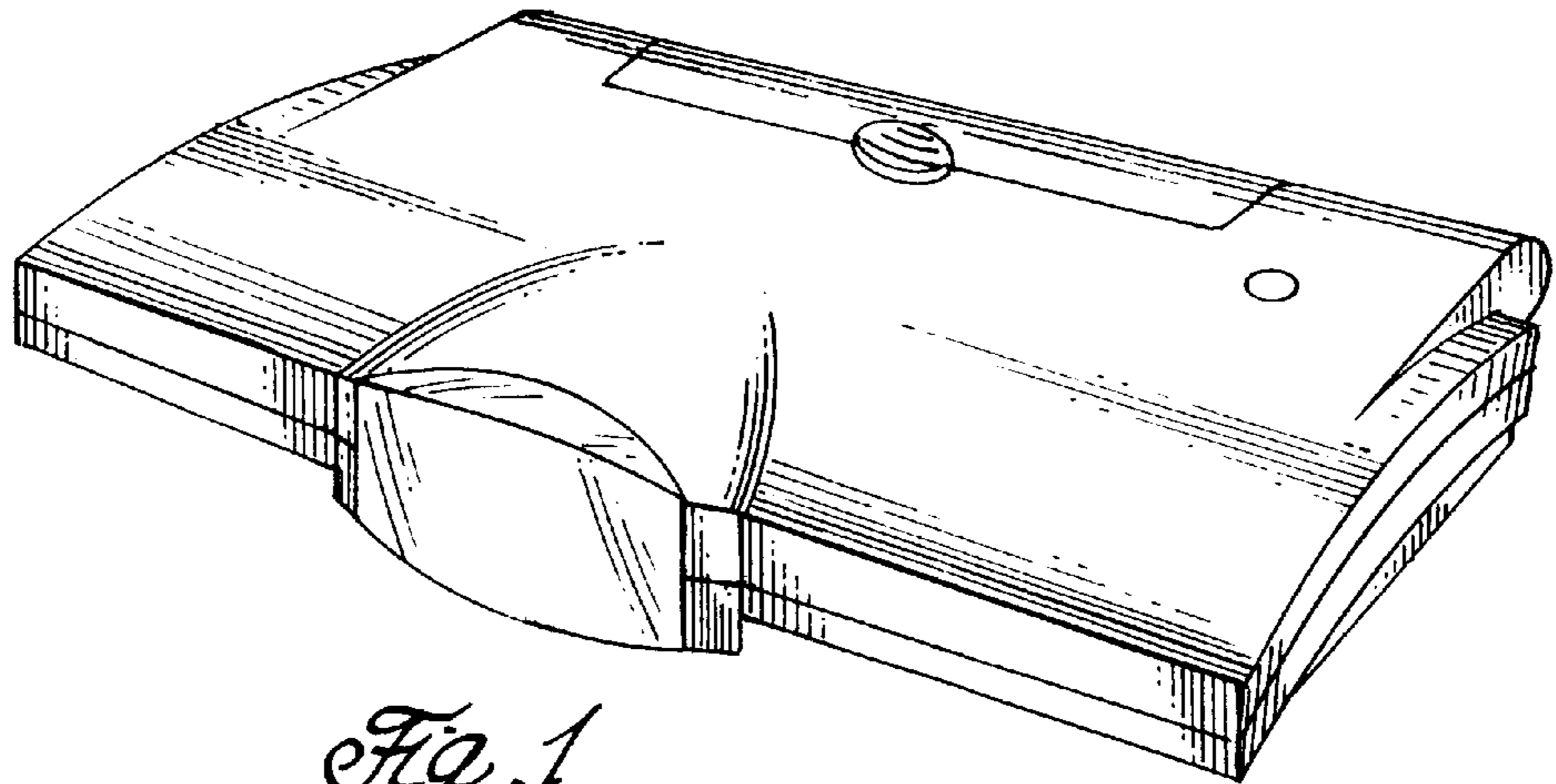


Fig. 1

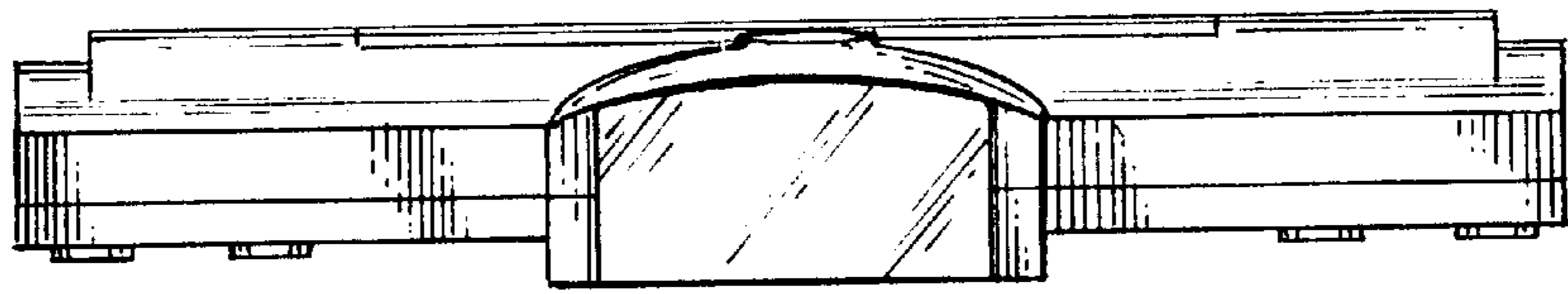


Fig. 2



Fig. 3

Fig. 4

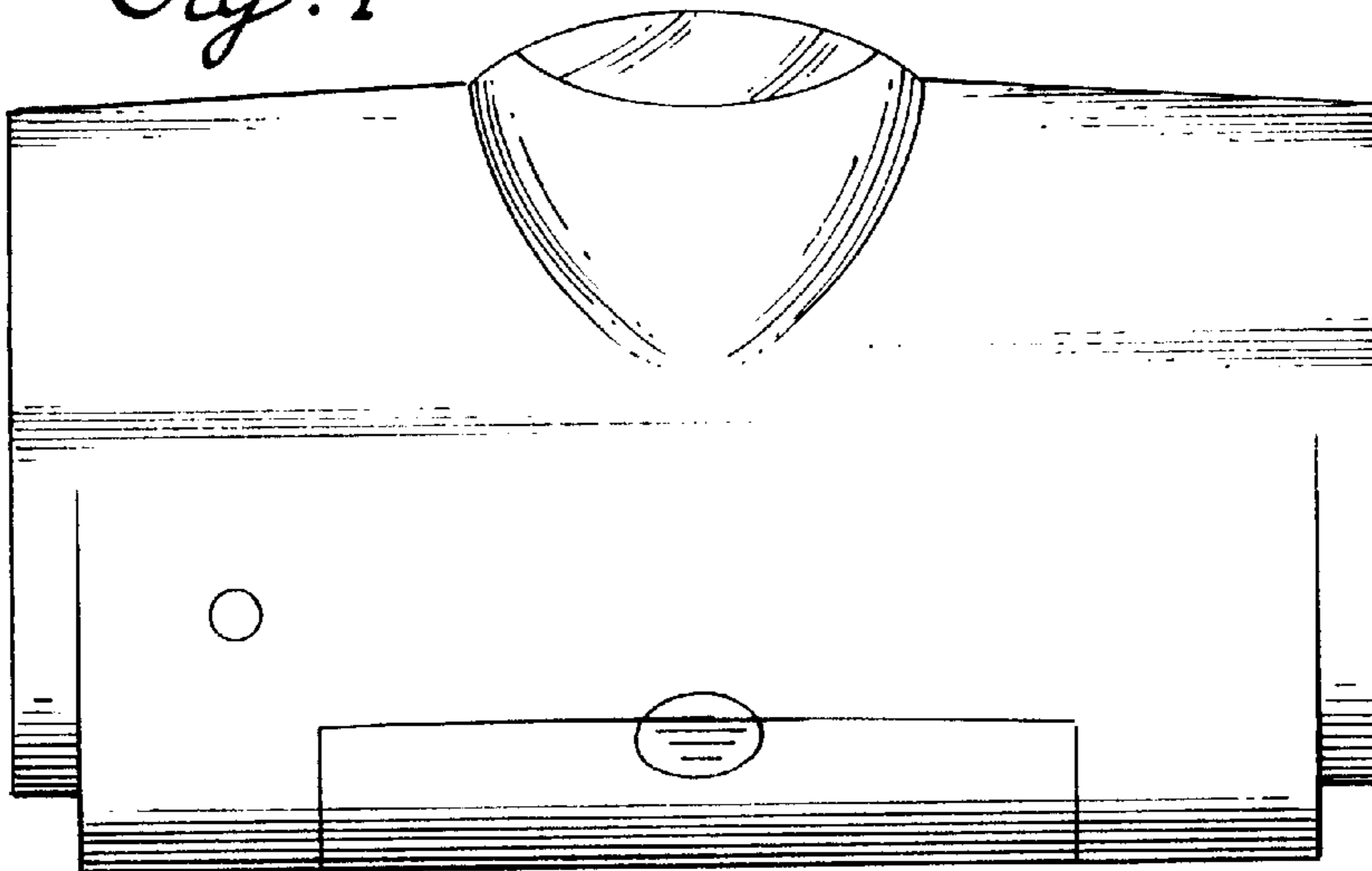


Fig. 5

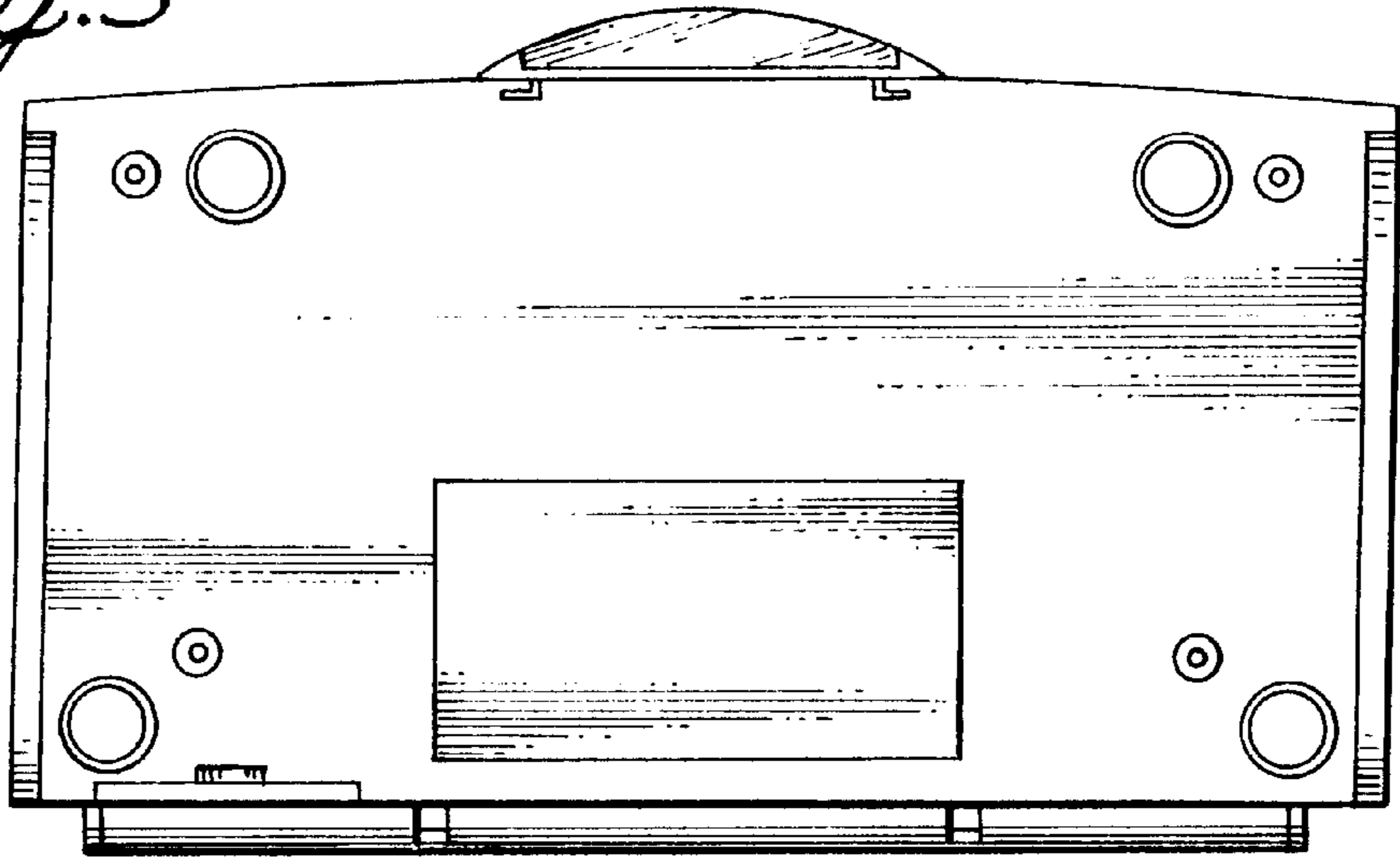


Fig. 6

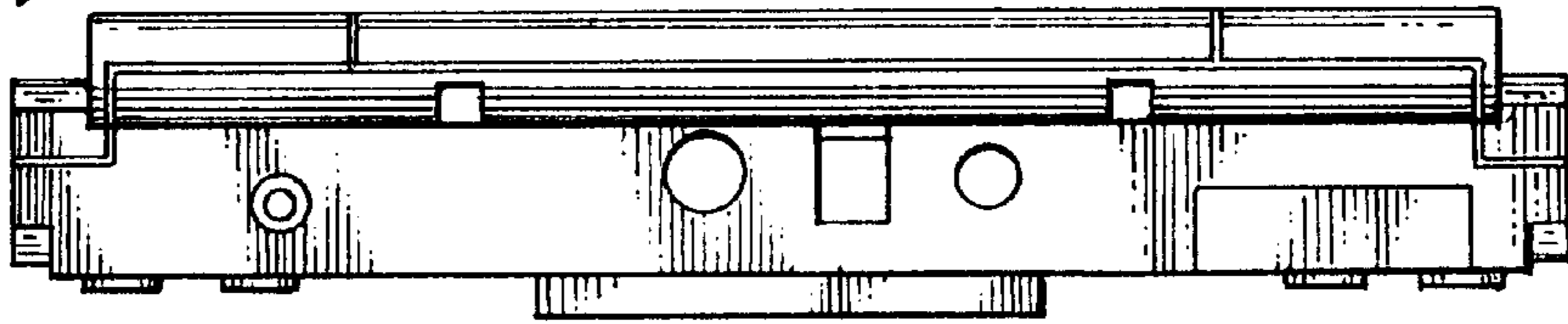


Fig. 7

