



US00D408806S

United States Patent [19]

Schmidt et al.

[11] Patent Number: **Des. 408,806**

[45] Date of Patent: ****Apr. 27, 1999**

[54] **OPTICAL SCANNER**

[75] Inventors: **Mark C Schmidt**, Williamstown, N.J.;
Peter Bressler, Philadelphia, Pa.;
Garrett K. Russell, Newark, Del.

[73] Assignee: **Metrologic Instruments, Inc.**,
Blackwood, N.J.

[**] Term: **14 Years**

[21] Appl. No.: **29/084,973**

[22] Filed: **Mar. 13, 1998**

[51] **LOC (6) Cl.** **14-02**

[52] **U.S. Cl.** **D14/116**

[58] **Field of Search** D14/100, 107,
D14/114, 116; D19/41-51; 235/375, 378,
385, 454, 462, 472, 486; 382/312-15, 321,
318-19; 250/203.1, 216; D26/37, 45, 50

[56] **References Cited**

U.S. PATENT DOCUMENTS

- D. 243,098 1/1977 Kohn D14/116
- D. 348,260 6/1994 Allgeier D14/116
- D. 351,149 10/1994 Bontly et al. D14/116

- D. 359,483 6/1995 Saunders et al. D14/116
- D. 378,587 3/1997 Kanno et al. D14/116
- D. 378,916 4/1997 Kanno et al. D14/116
- D. 386,489 11/1997 Goldman et al. D14/116
- D. 391,250 2/1998 Swift et al. D14/116

Primary Examiner—M. H. Tung
Attorney, Agent, or Firm—Nancy A. Smith, Esq.

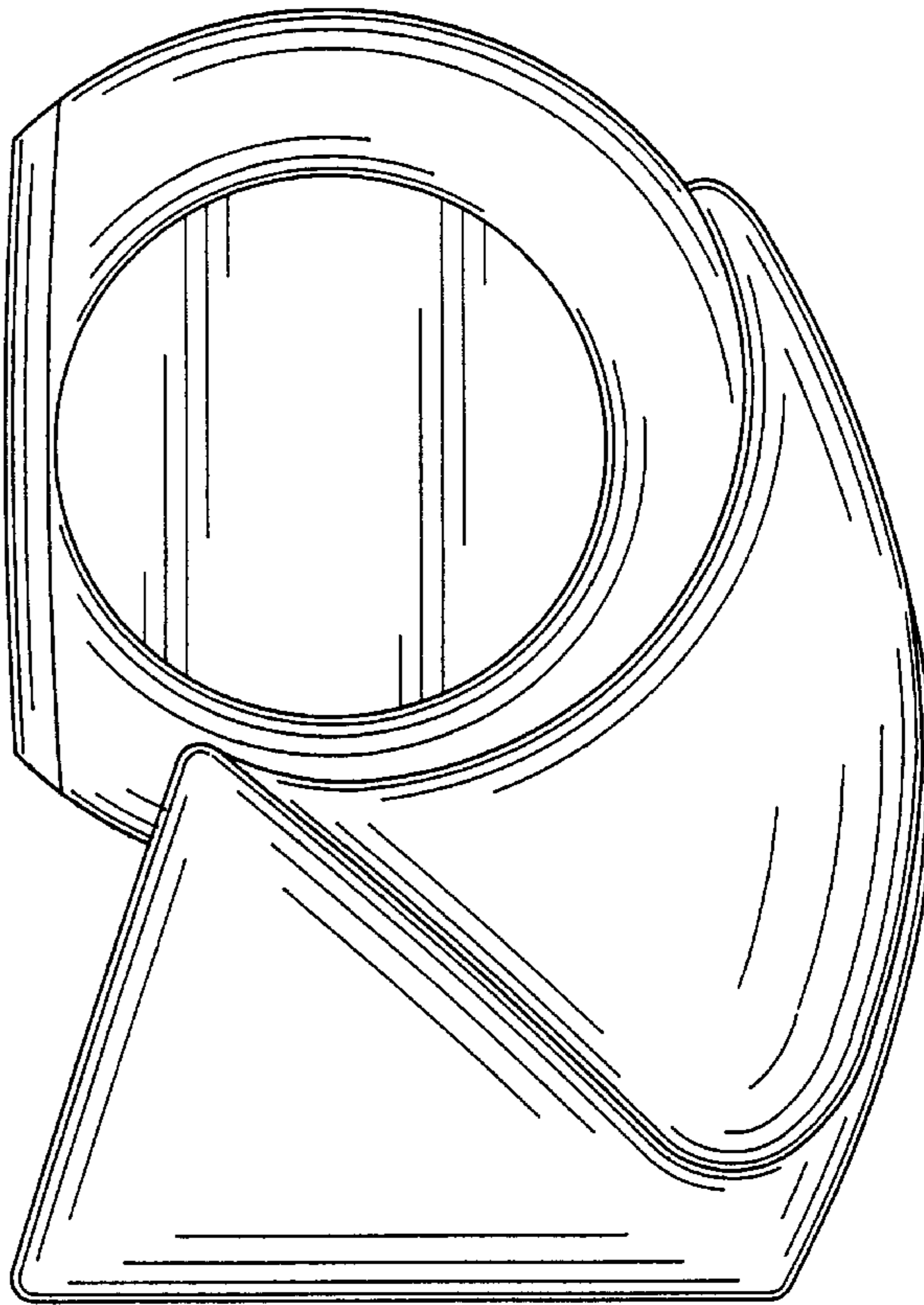
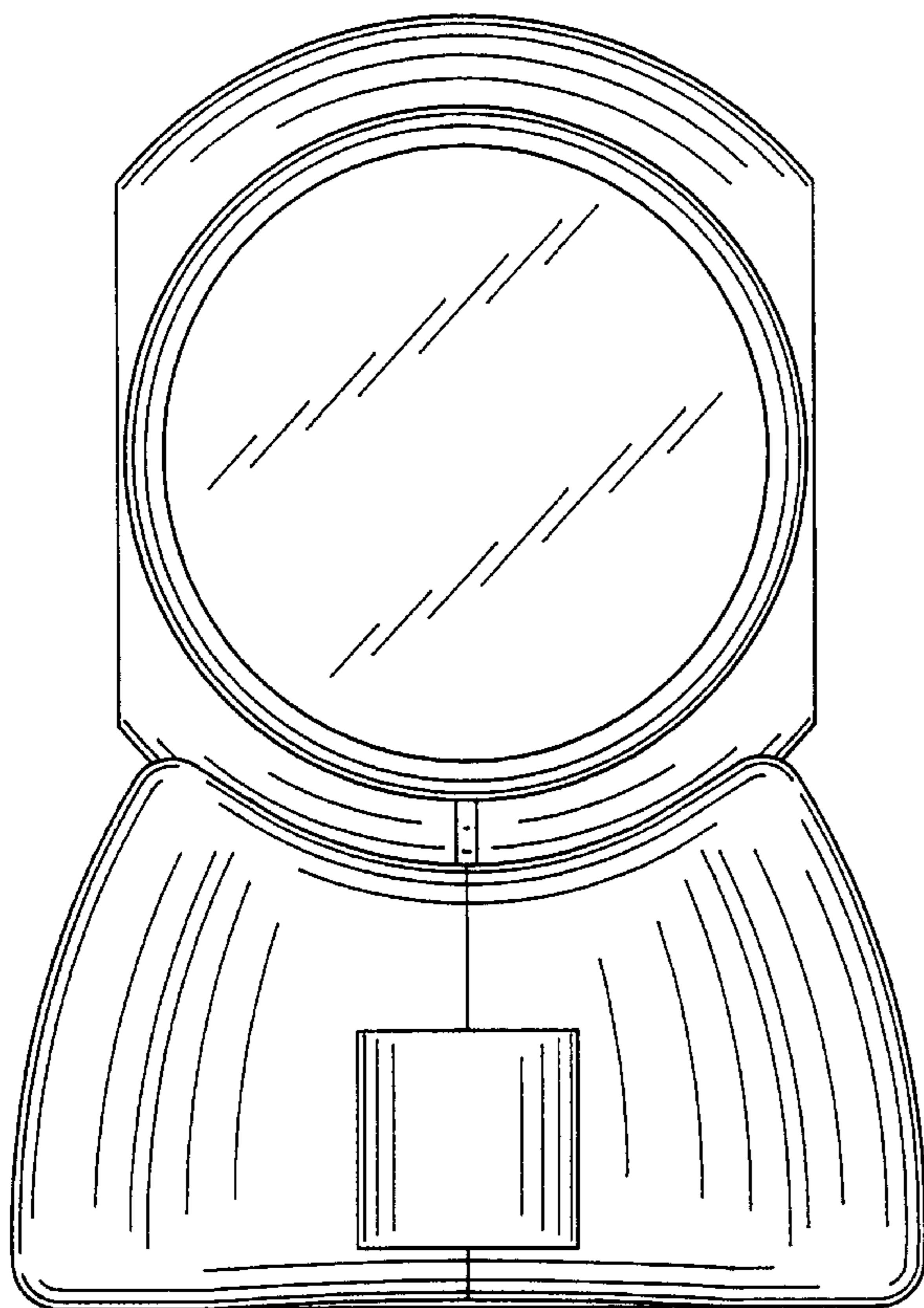
[57] **CLAIM**

The ornamental design for an optical scanner, as shown.

DESCRIPTION

FIG. 1 is a front view of the optical scanner of the present invention;
 FIG. 2 is a rear view of the optical scanner of the present invention;
 FIG. 3 is a left side view of the optical scanner of the present invention;
 FIG. 4 is a right side view of the optical scanner of the present invention;
 FIG. 5 is a top view of the optical scanner of the present invention; and,
 FIG. 6 is a bottom view of the optical scanner of the present invention.

1 Claim, 5 Drawing Sheets



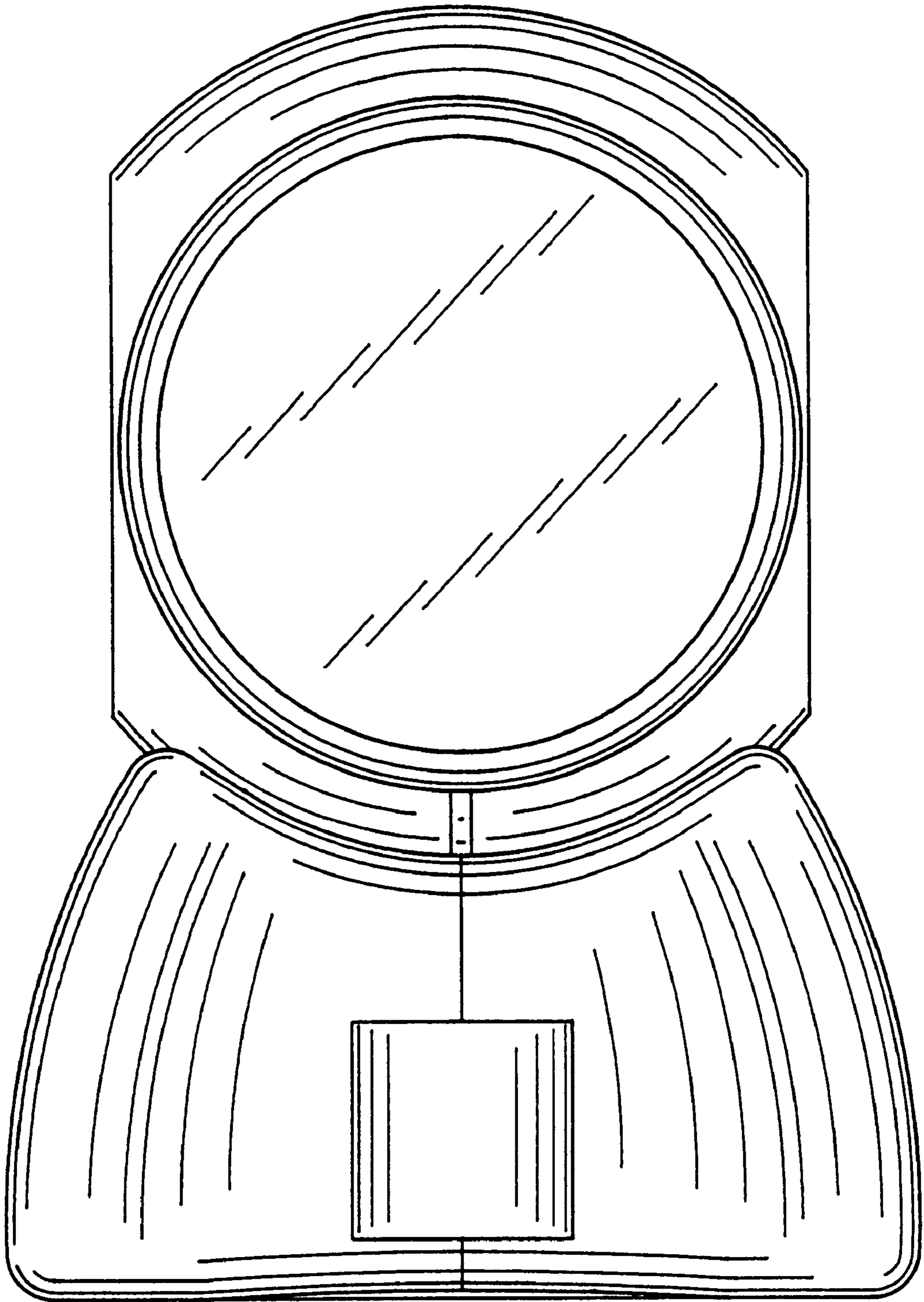


FIG. 1

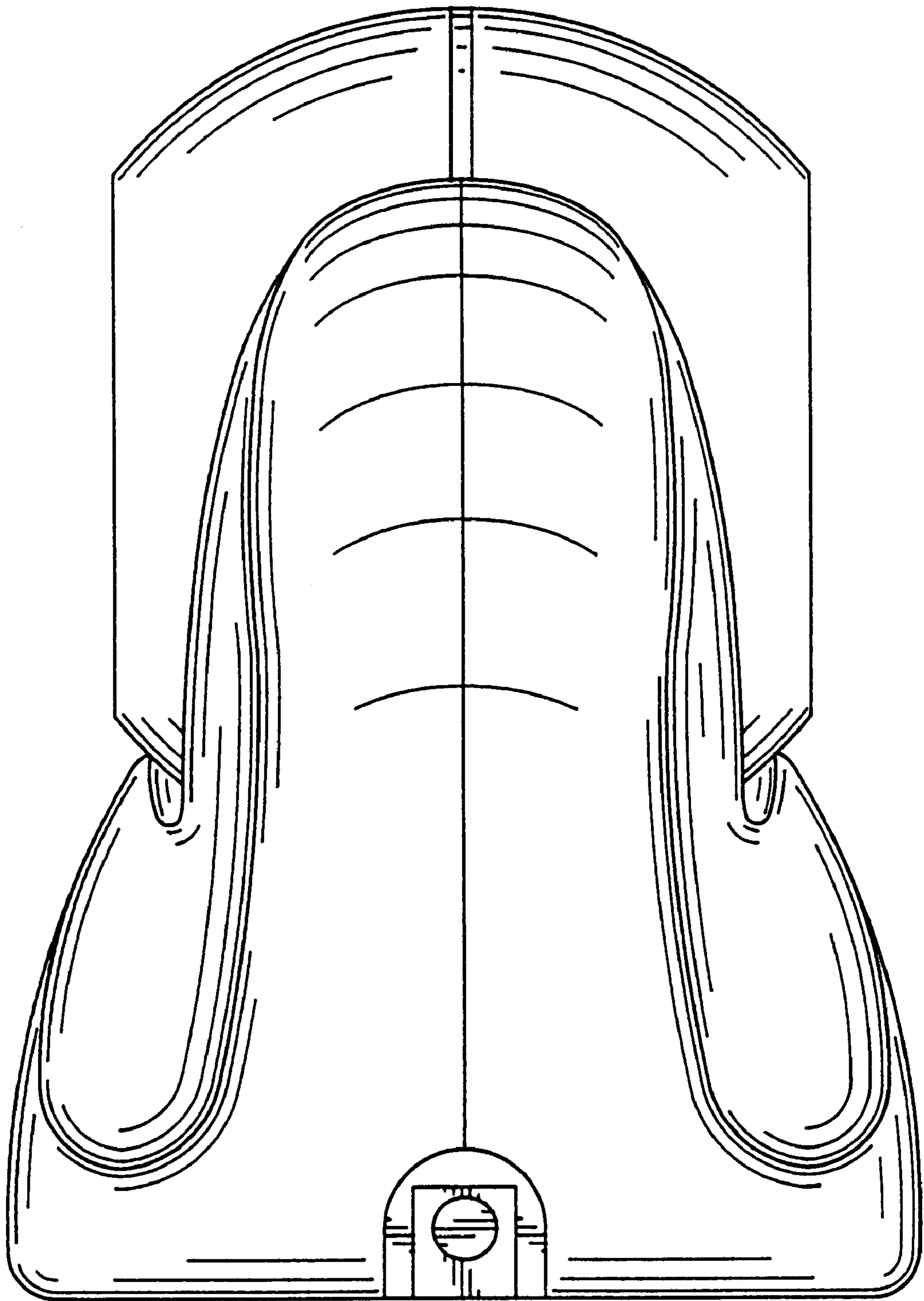


FIG. 2

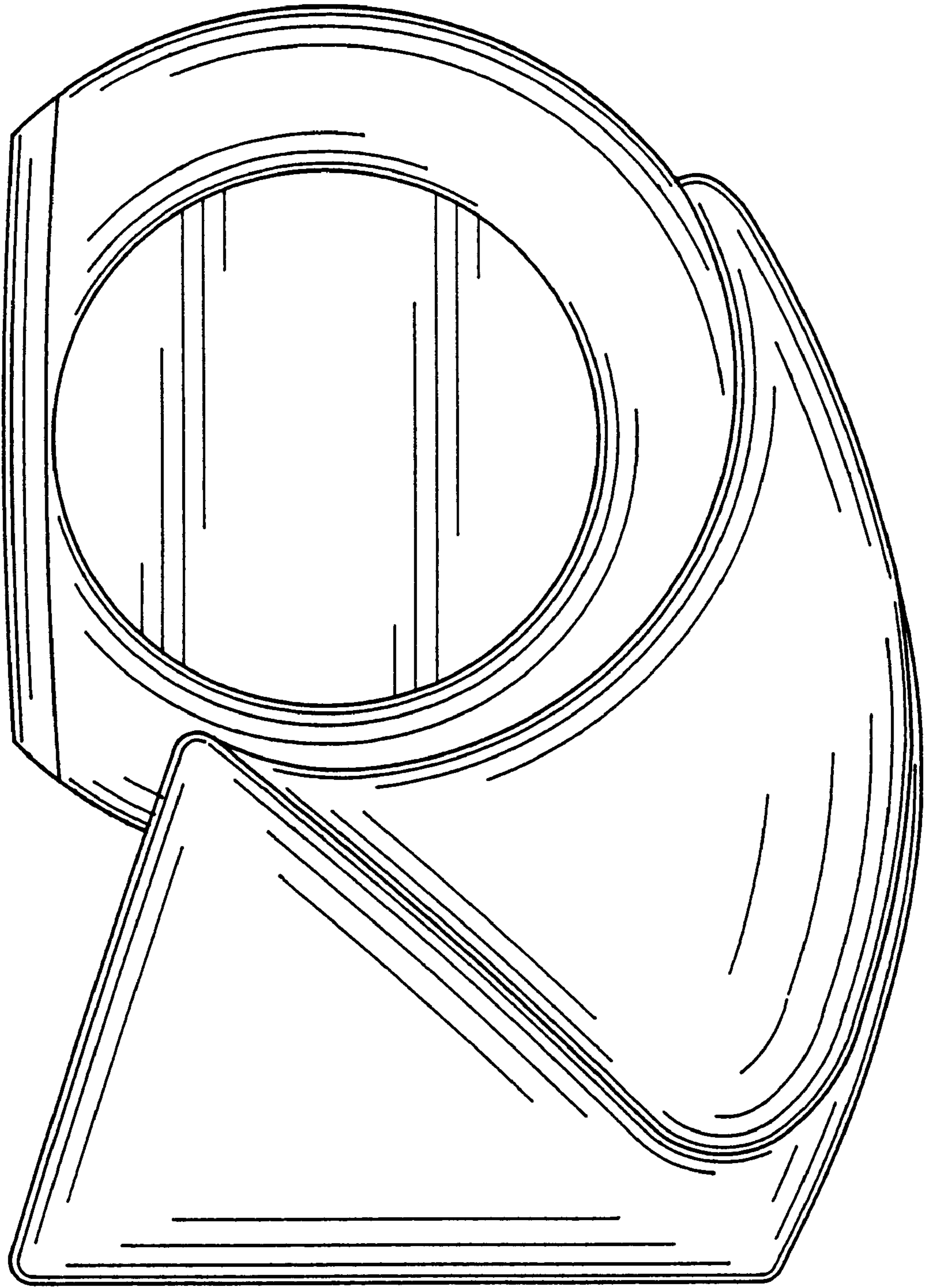


FIG. 3

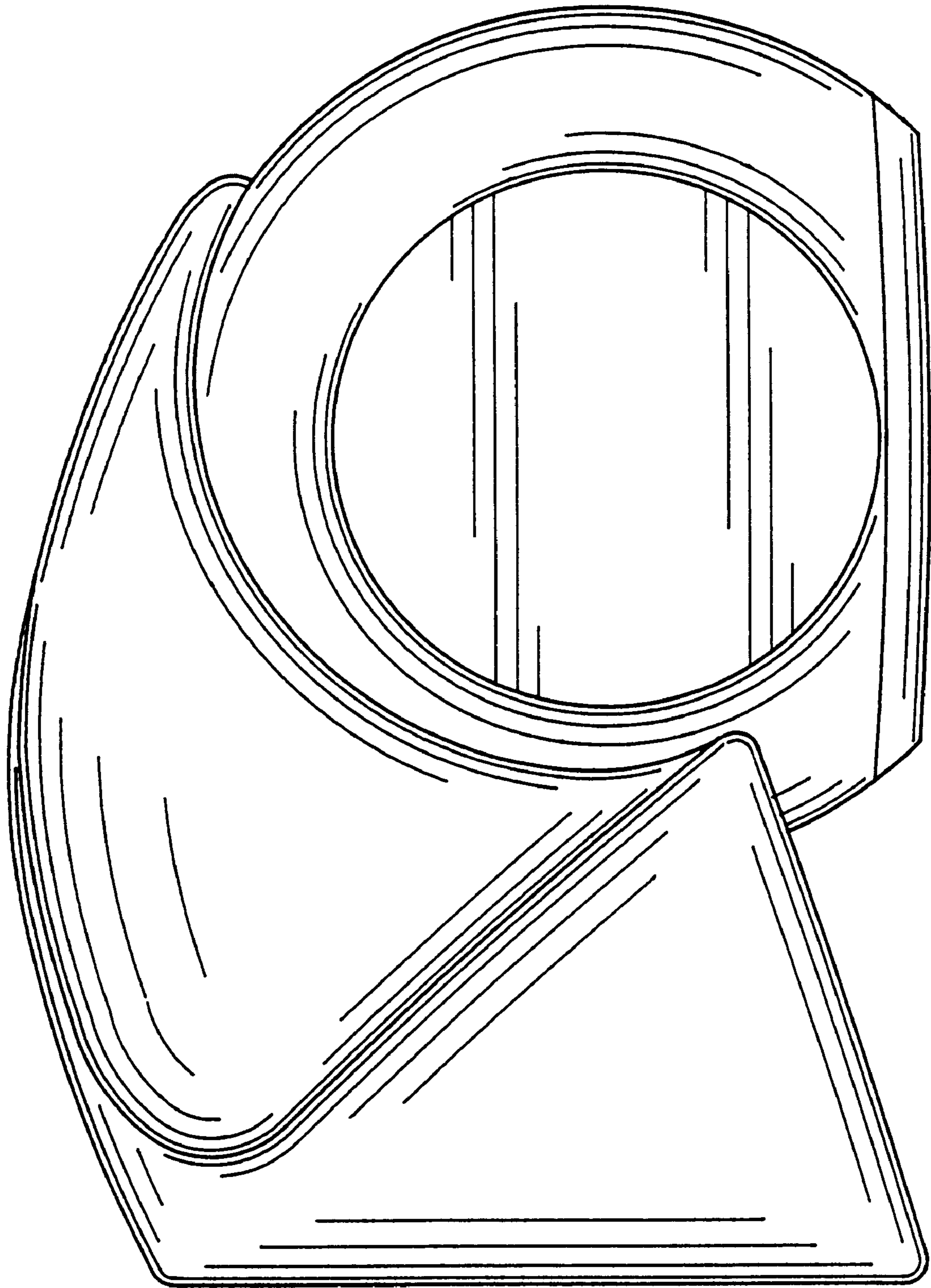


FIG. 4

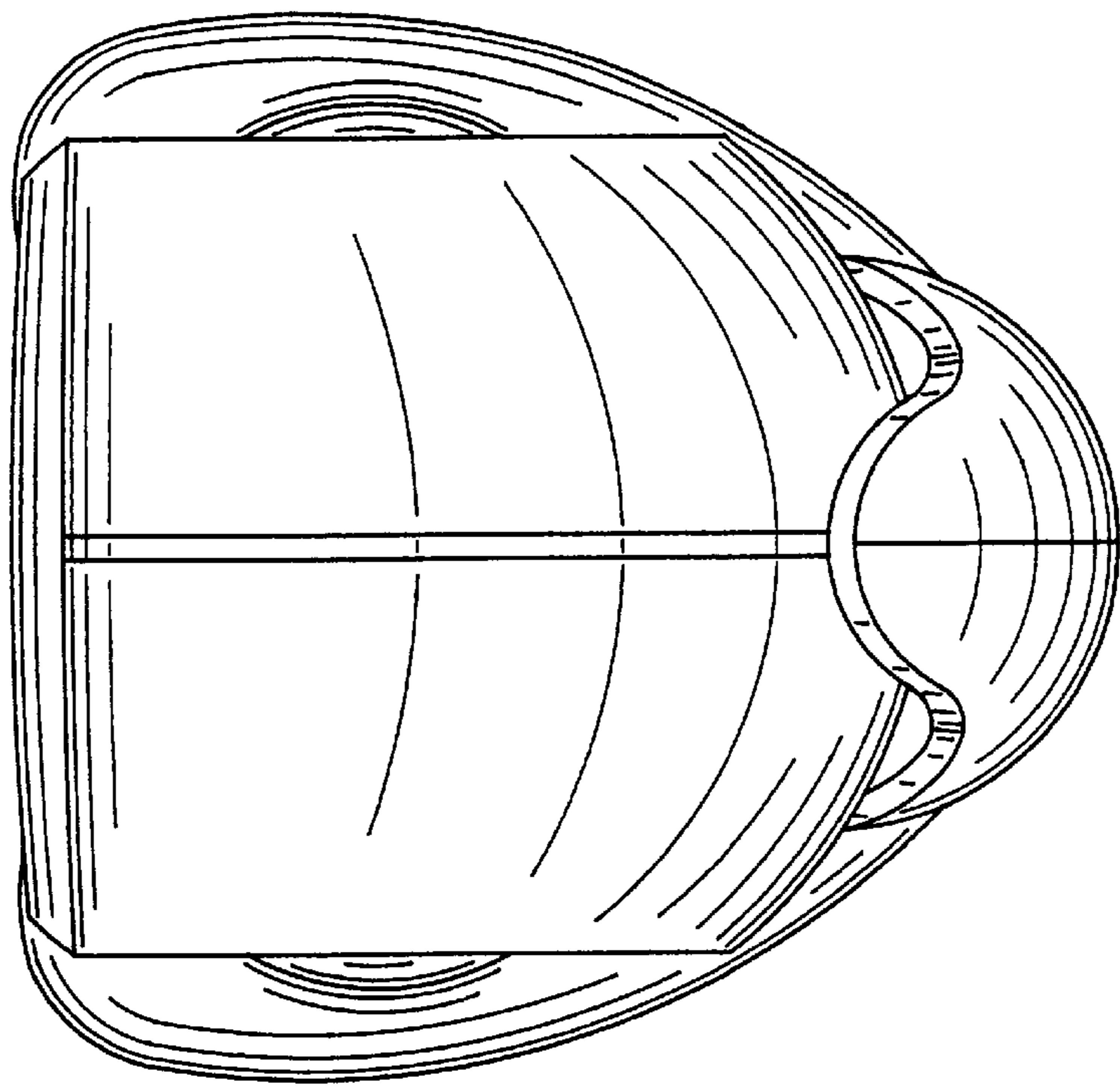


FIG. 5

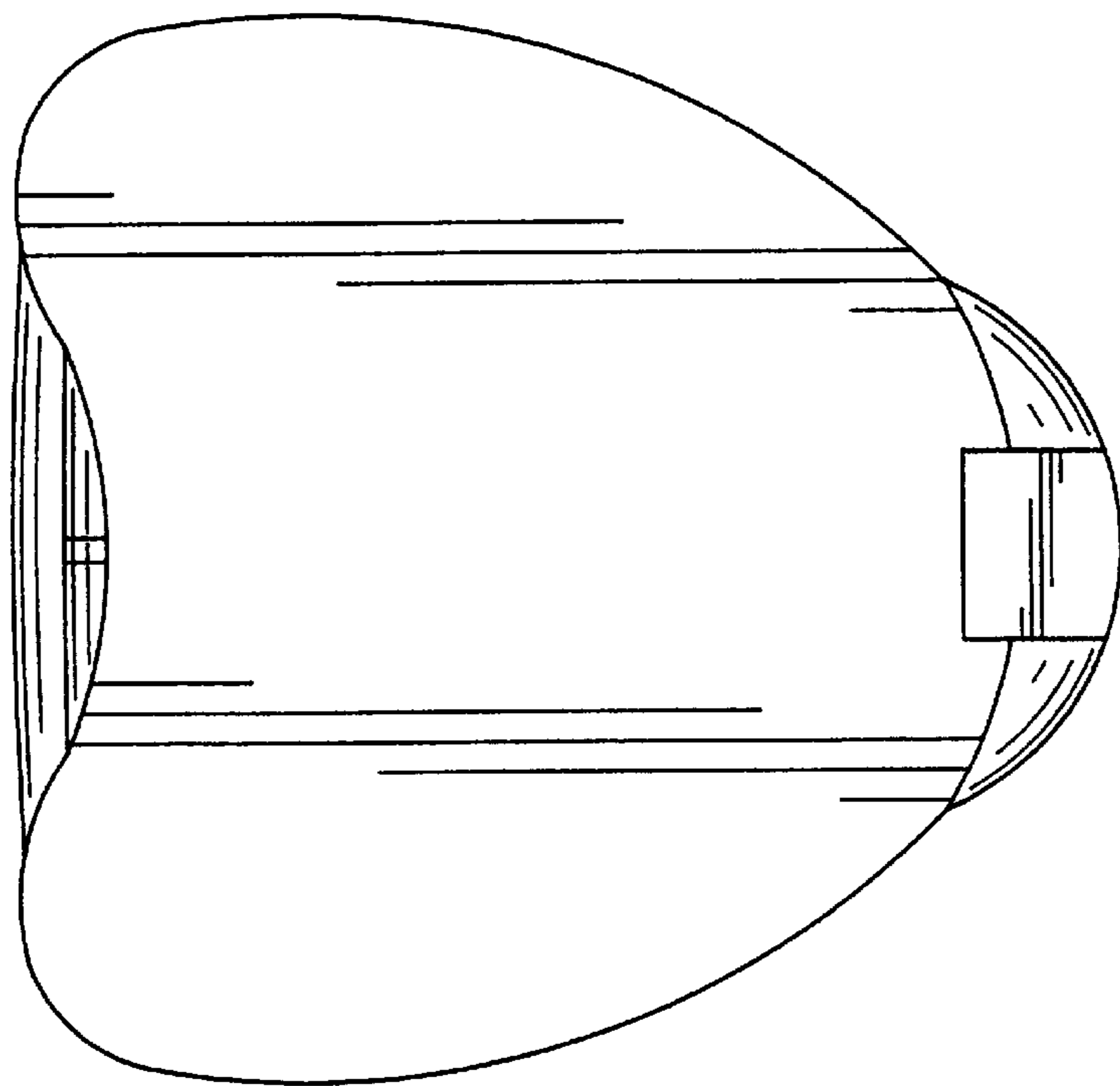


FIG. 6