



US00D408798S

United States Patent [19]

Lee et al.

[11] Patent Number: **Des. 408,798**

[45] Date of Patent: ****Apr. 27, 1999**

[54] **PORTABLE COMPUTER**

D. 384,339 9/1997 Tochishita D14/106
D. 388,403 12/1997 Tochishita D14/106

[75] Inventors: **Chia-Chun Lee; Ming-Hsun Chou; Chih-Wen Chiang**, all of Taipei, Taiwan

Primary Examiner—Freda Nunn
Attorney, Agent, or Firm—Bacon & Thomas, PLLC

[73] Assignee: **Compal Electronics, Inc.**, Taipei, Taiwan

[57] CLAIM

[**] Term: **14 Years**

The ornamental design for a portable computer, as shown and described.

[21] Appl. No.: **29/086,452**

DESCRIPTION

[22] Filed: **Apr. 14, 1998**

FIG. 1 is a perspective view showing our new design for a portable computer;

[51] **LOC (6) Cl.** **14-02**

FIG. 2 is a front elevational view thereof;

[52] **U.S. Cl.** **D14/106**

FIG. 3 is a rear elevational view thereof;

[58] **Field of Search** D14/100, 106, D14/113, 115; D18/1, 7; 235/145 A, 145 R; 341/22, 23; 345/104, 156, 168, 173; 361/680-686; 364/708.1; 400/486, 489

FIG. 4 is a left side elevational view thereof;

FIG. 5 is a right side elevational view thereof;

FIG. 6 is a top view thereof;

FIG. 7 is a bottom view thereof; and,

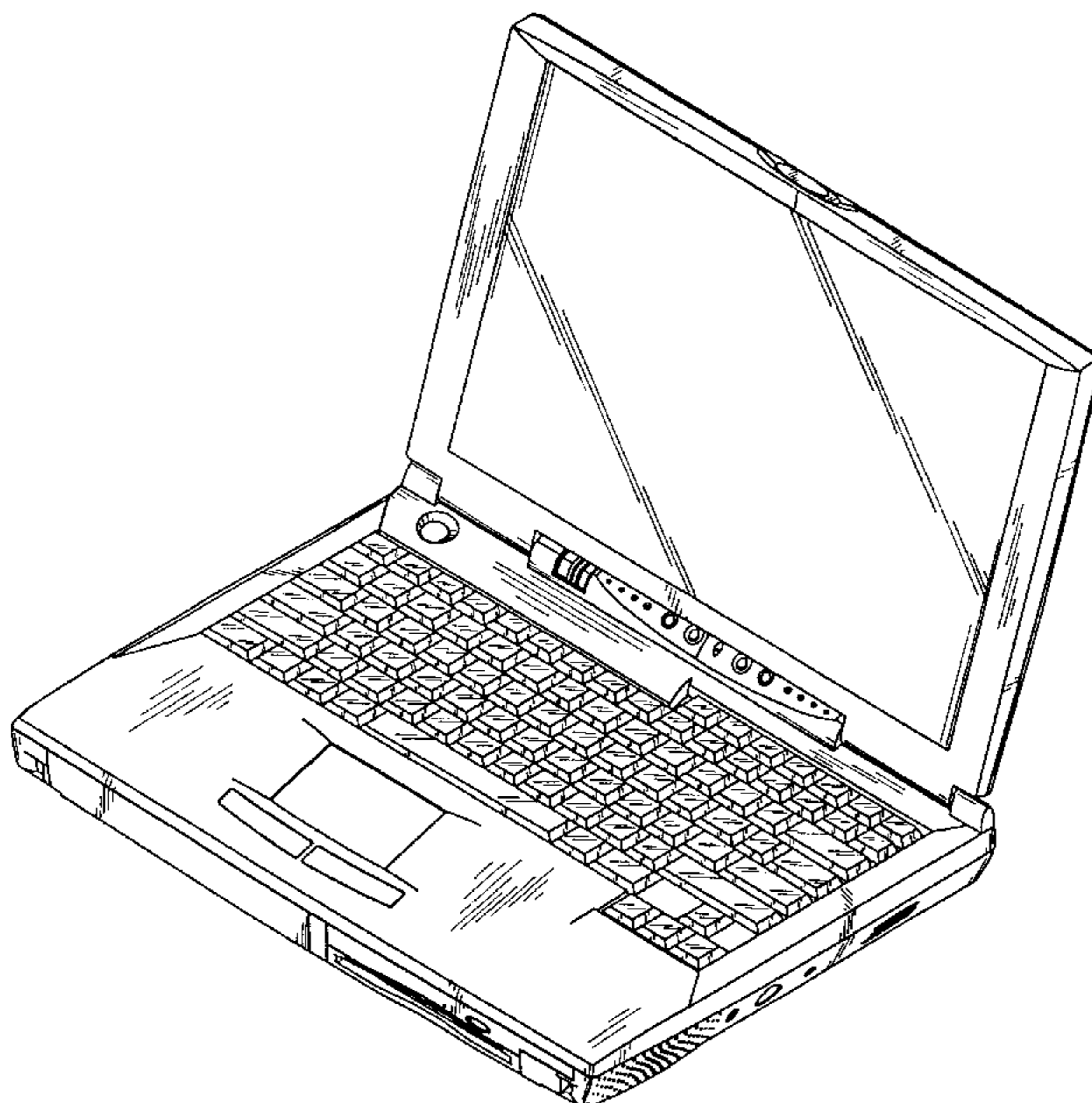
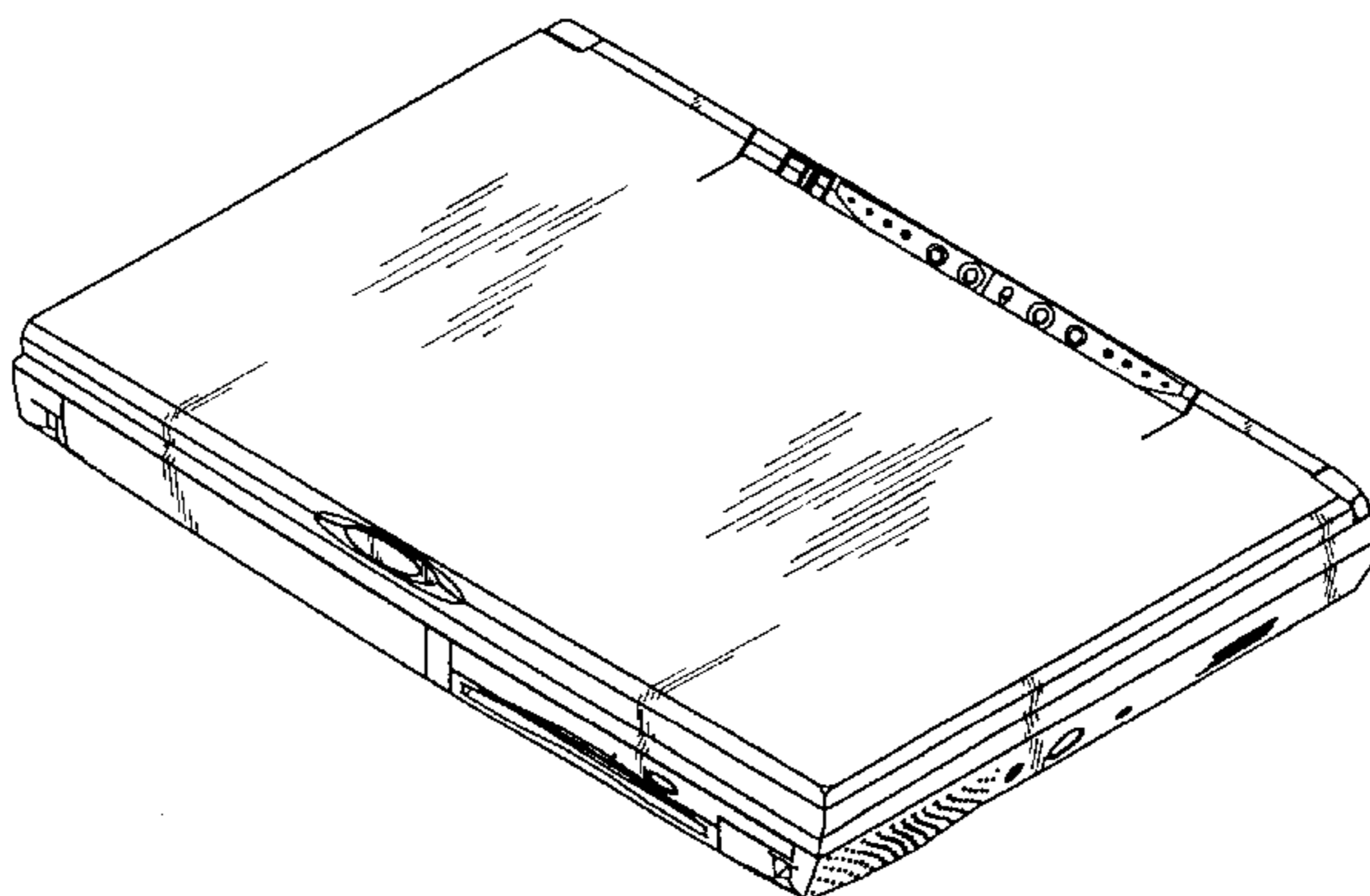
FIG. 8 is a perspective view showing the stretched portable computer.

[56] References Cited

U.S. PATENT DOCUMENTS

D. 380,459 7/1997 Tanimura et al. D14/106

1 Claim, 6 Drawing Sheets



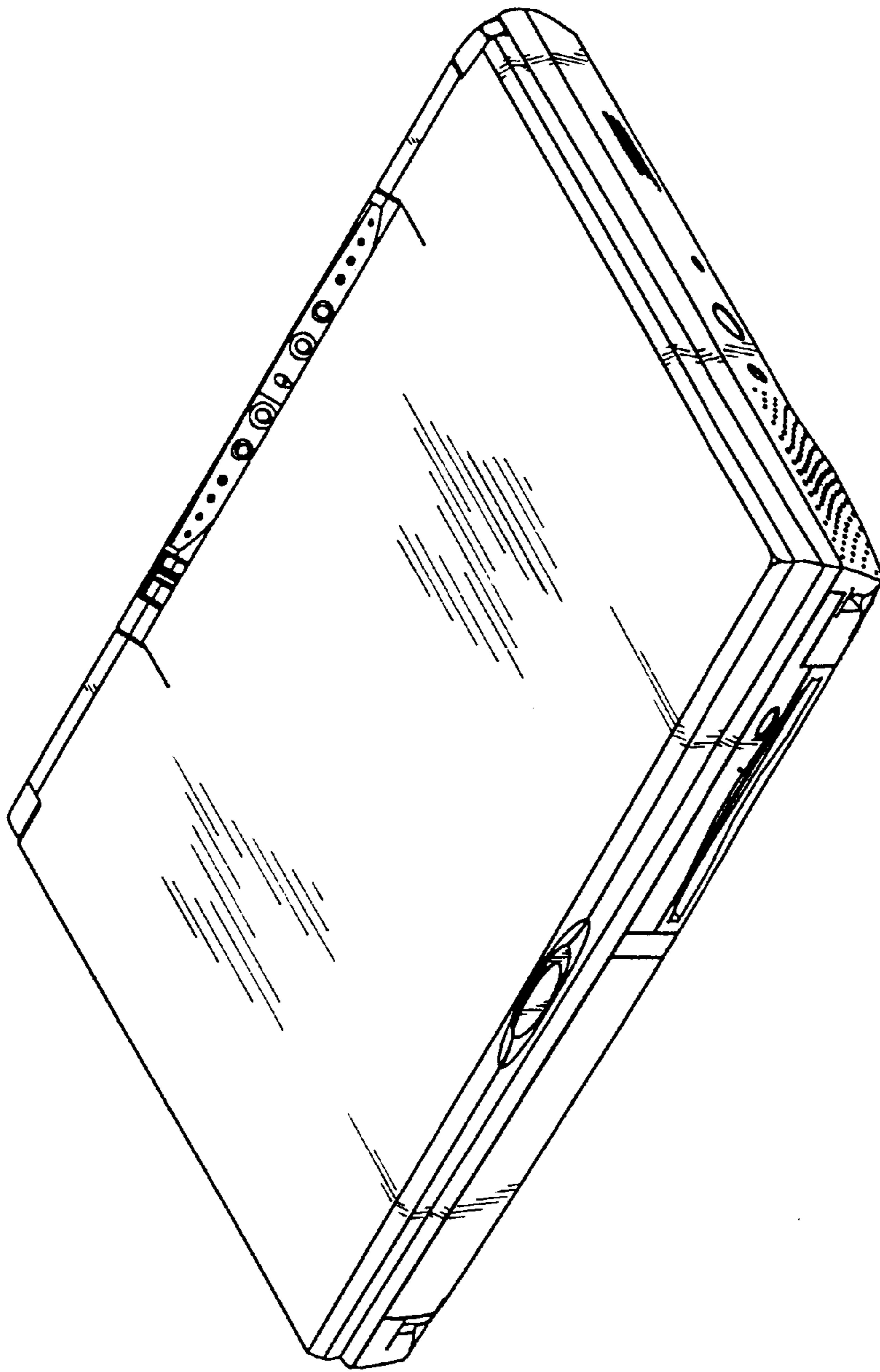


Fig. 1

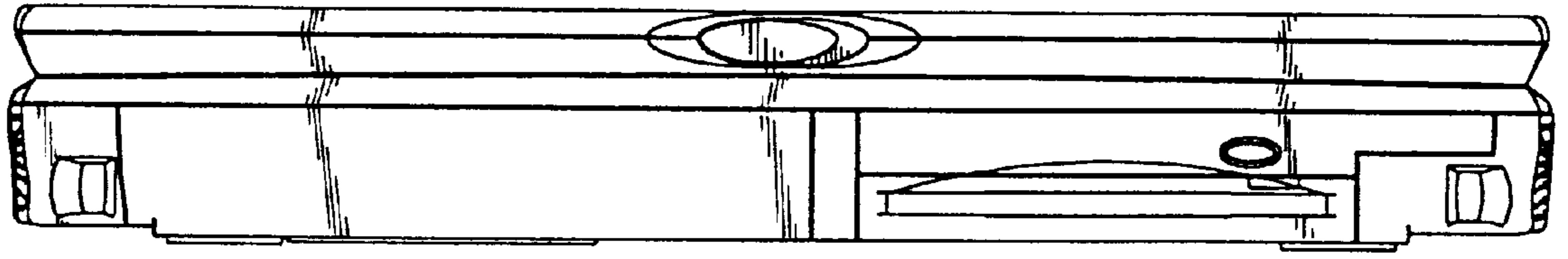


Fig.2

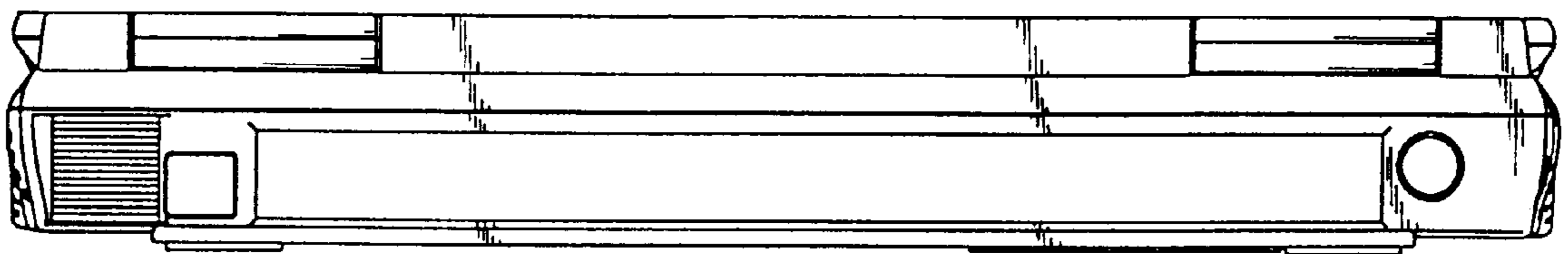


Fig.3

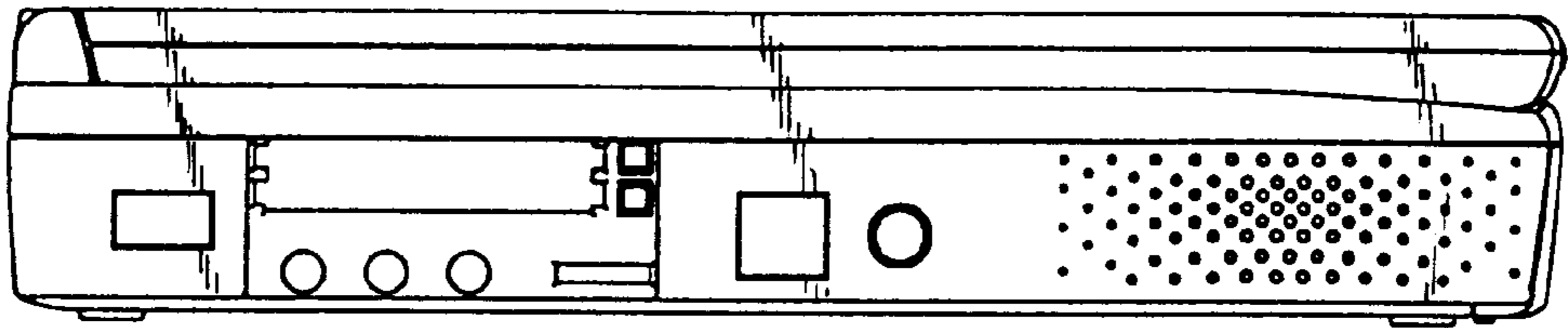


Fig.4

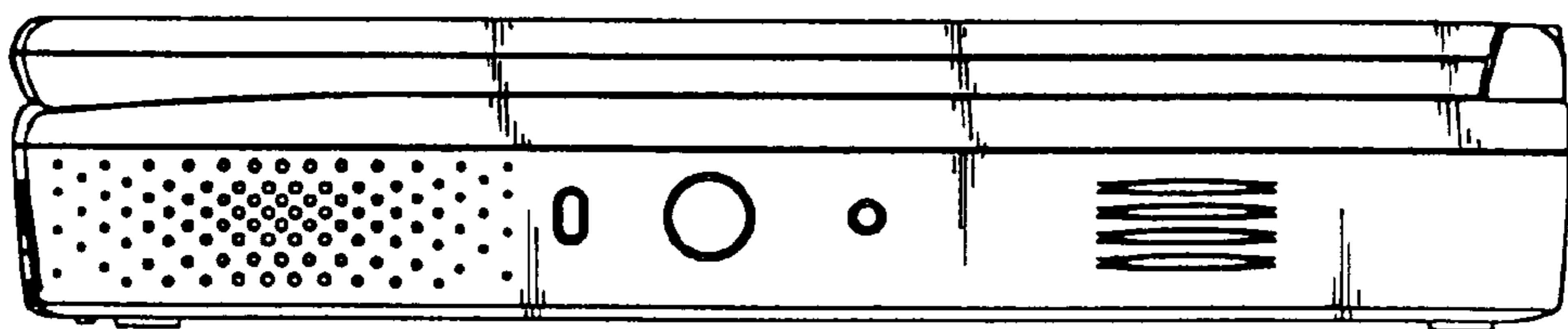


Fig.5

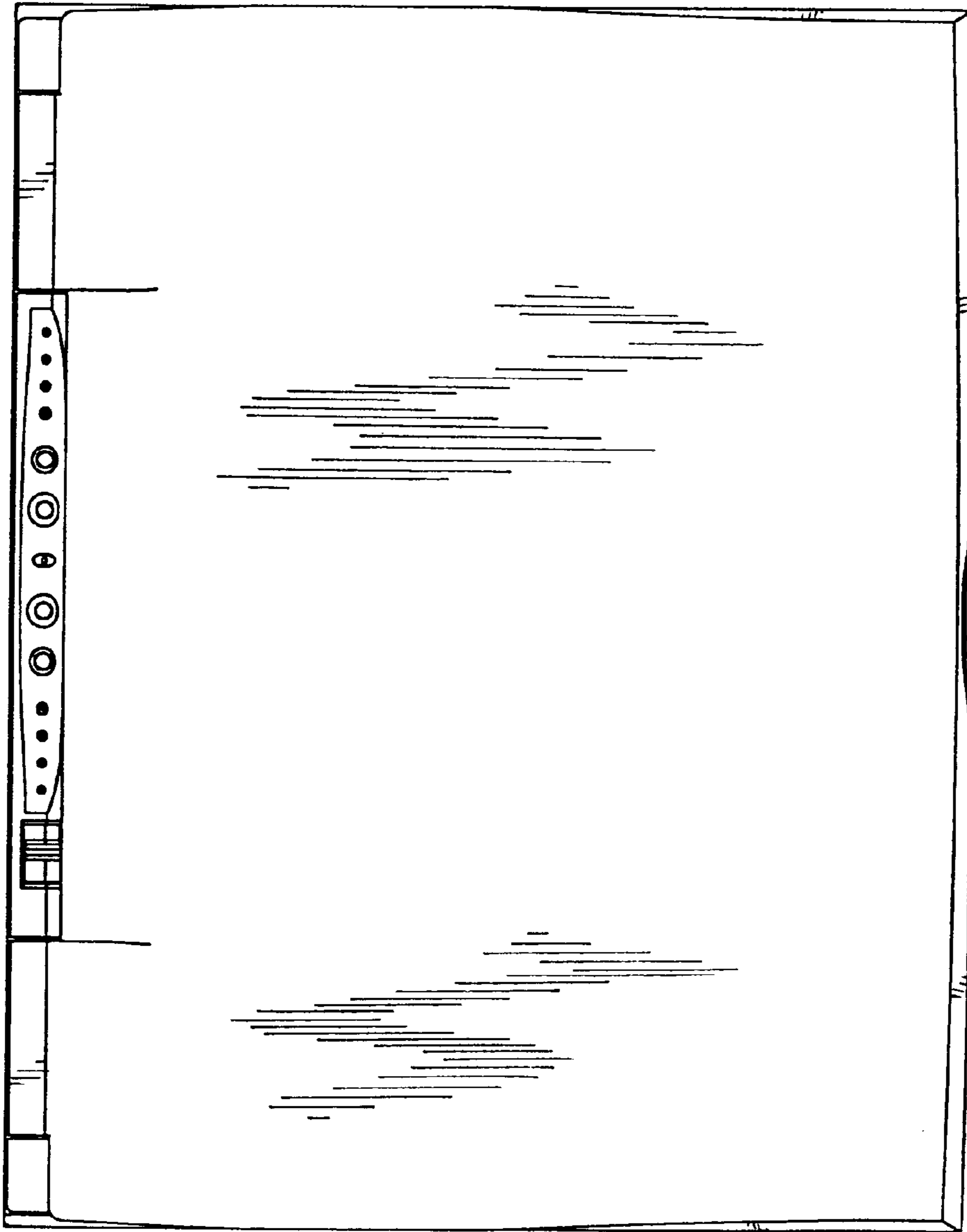


Fig. 6

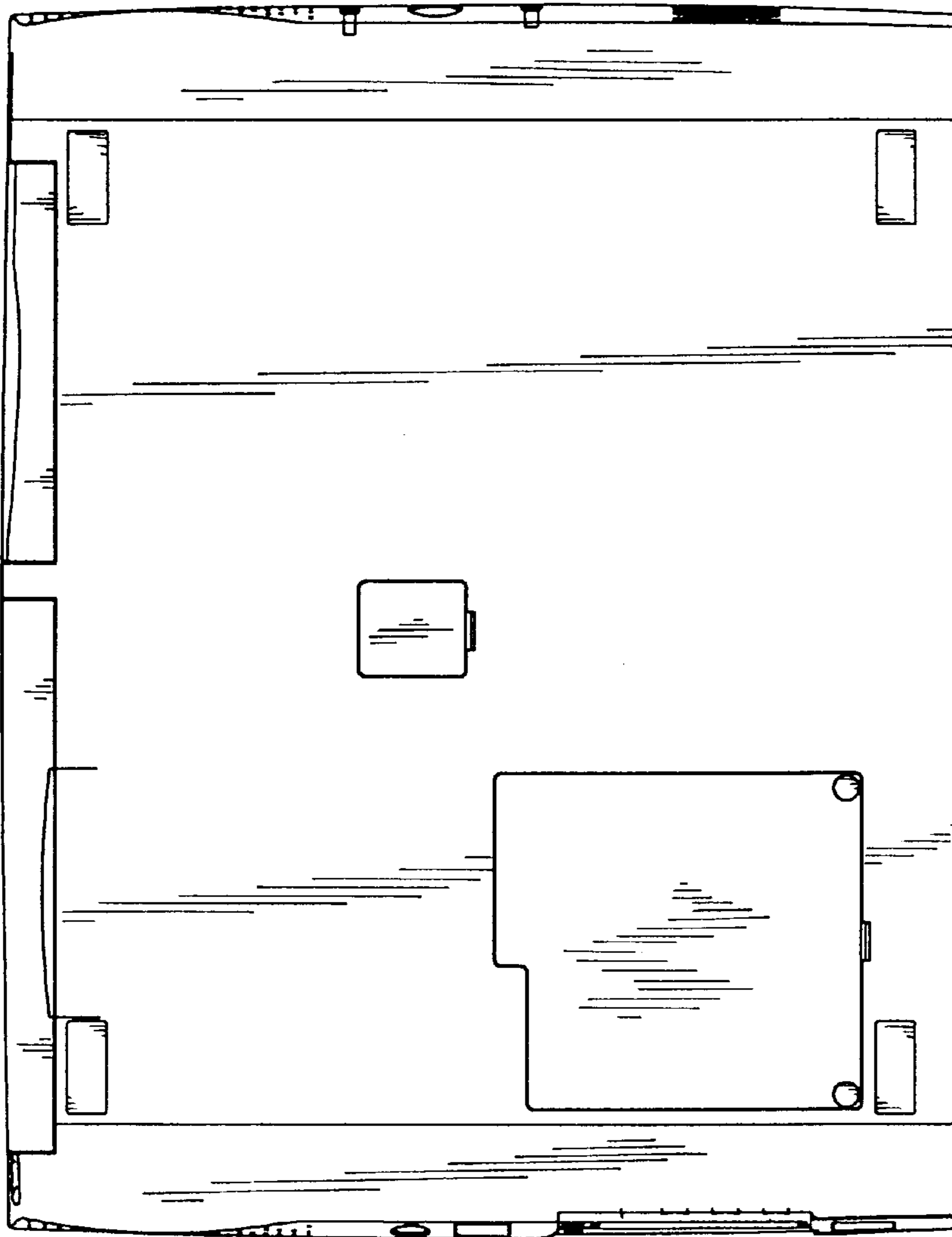


Fig. 7

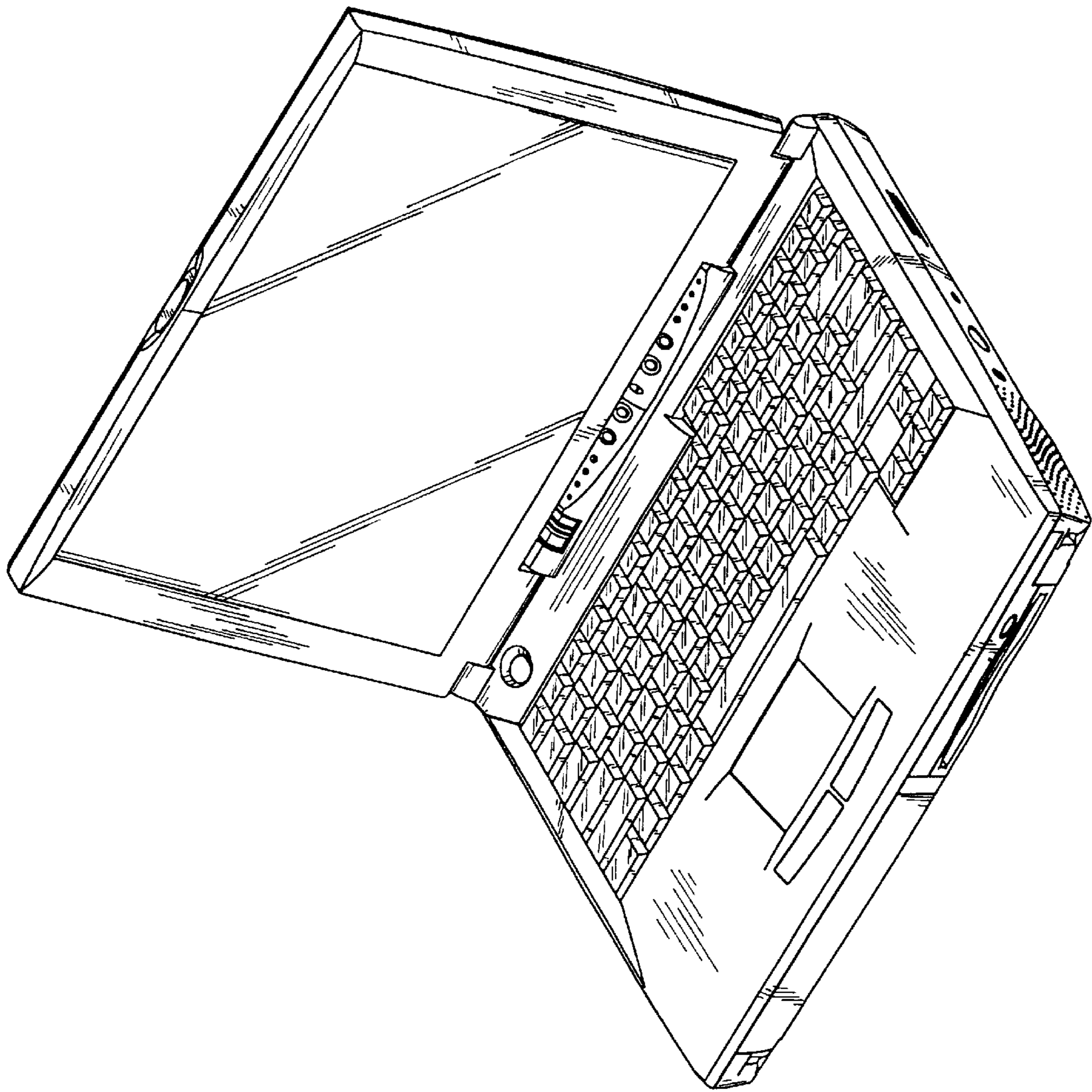


Fig. 8