



US00D408794S

# United States Patent [19] Ogasawara

[11] Patent Number: **Des. 408,794**

[45] Date of Patent: **\*\* Apr. 27, 1999**

[54] **COMPUTER**

[75] Inventor: **Shinichi Ogasawara**, Tokyo, Japan

[73] Assignee: **Sony Corporation**, Tokyo, Japan

[\*\*] Term: **14 Years**

[21] Appl. No.: **29/079,155**

[22] Filed: **Nov. 17, 1997**

[30] **Foreign Application Priority Data**

May 30, 1997 [JP] Japan ..... 9-56411

[51] **LOC (6) Cl.** ..... **14-02**

[52] **U.S. Cl.** ..... **D14/100**

[58] **Field of Search** ..... D14/100, 106,  
D14/115, 113; 345/104, 156, 168, 173,  
87, 901-905; 364/708.1; 178/18, 19; D19/52,  
59, 60, 20

[56] **References Cited**

**U.S. PATENT DOCUMENTS**

- D. 340,701 10/1993 Takeuchi ..... D14/100
- D. 353,803 12/1994 Kuzumoto et al. .... D14/100
- D. 361,552 8/1995 Iino ..... D14/100
- D. 371,387 7/1996 Woock ..... D19/20
- D. 377,929 2/1997 Sekino et al. .... D14/100

D. 379,090 5/1997 Maekawa et al. .... D14/100

*Primary Examiner*—Freda Nunn  
*Attorney, Agent, or Firm*—Foley & Lardner

[57] **CLAIM**

The ornamental design for a computer, as shown and described.

**DESCRIPTION**

FIG. 1 is a perspective view of a first embodiment of a computer showing my new design;  
 FIG. 2 is a top plan view thereof;  
 FIG. 3 is a left side elevational view thereof;  
 FIG. 4 is a front elevational view thereof;  
 FIG. 5 is a bottom plan view thereof;  
 FIG. 6 is a right side elevational view thereof;  
 FIG. 7 is a rear elevational view thereof;  
 FIG. 8 is a perspective view of a second embodiment of a computer showing my new design;  
 FIG. 9 is a top plan view thereof;  
 FIG. 10 is a left side elevational view thereof;  
 FIG. 11 is a front elevational view thereof;  
 FIG. 12 is a bottom plan view thereof;  
 FIG. 13 is a right side elevational view thereof; and,  
 FIG. 14 is a rear elevational view thereof.

**1 Claim, 6 Drawing Sheets**

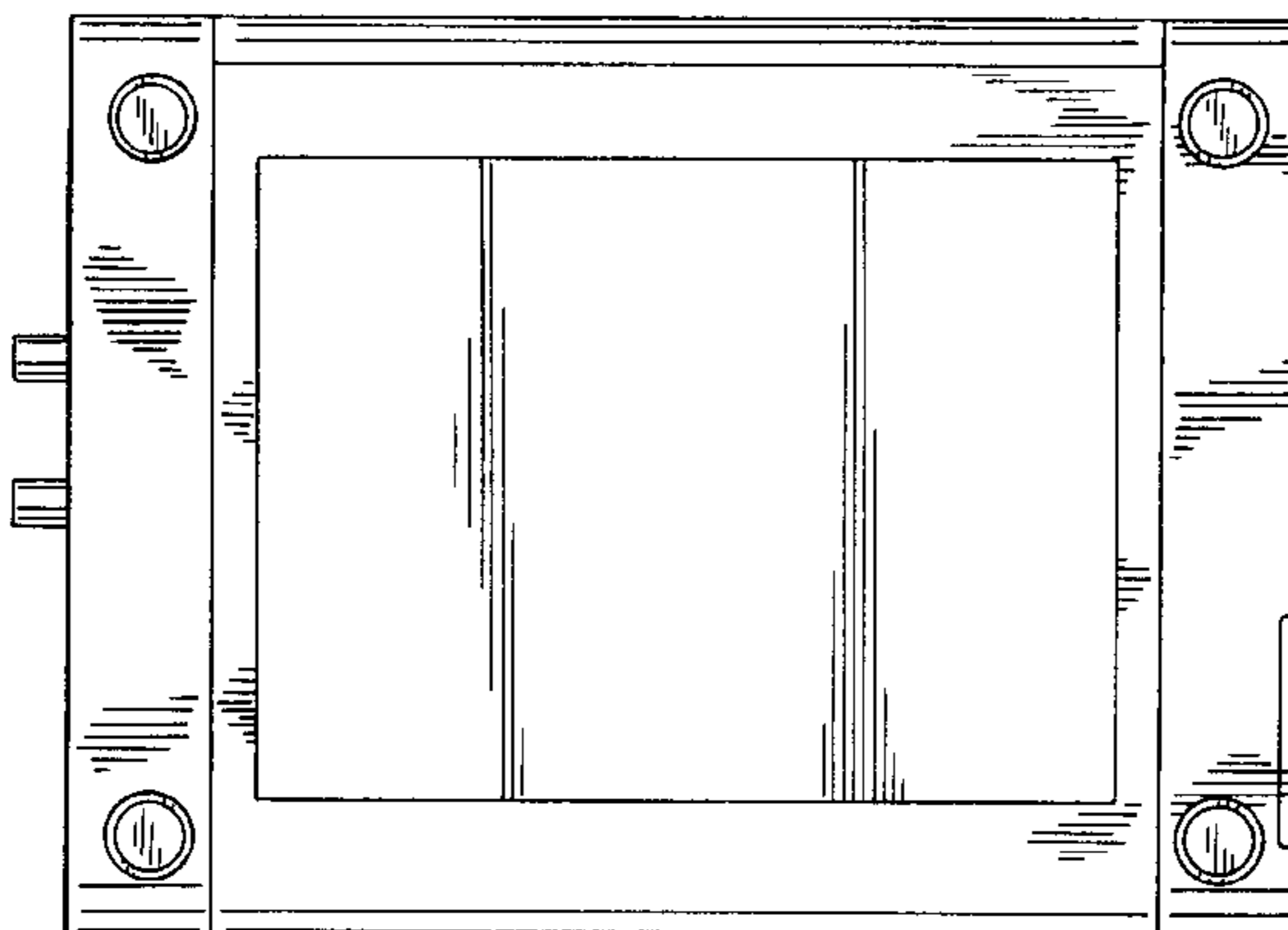
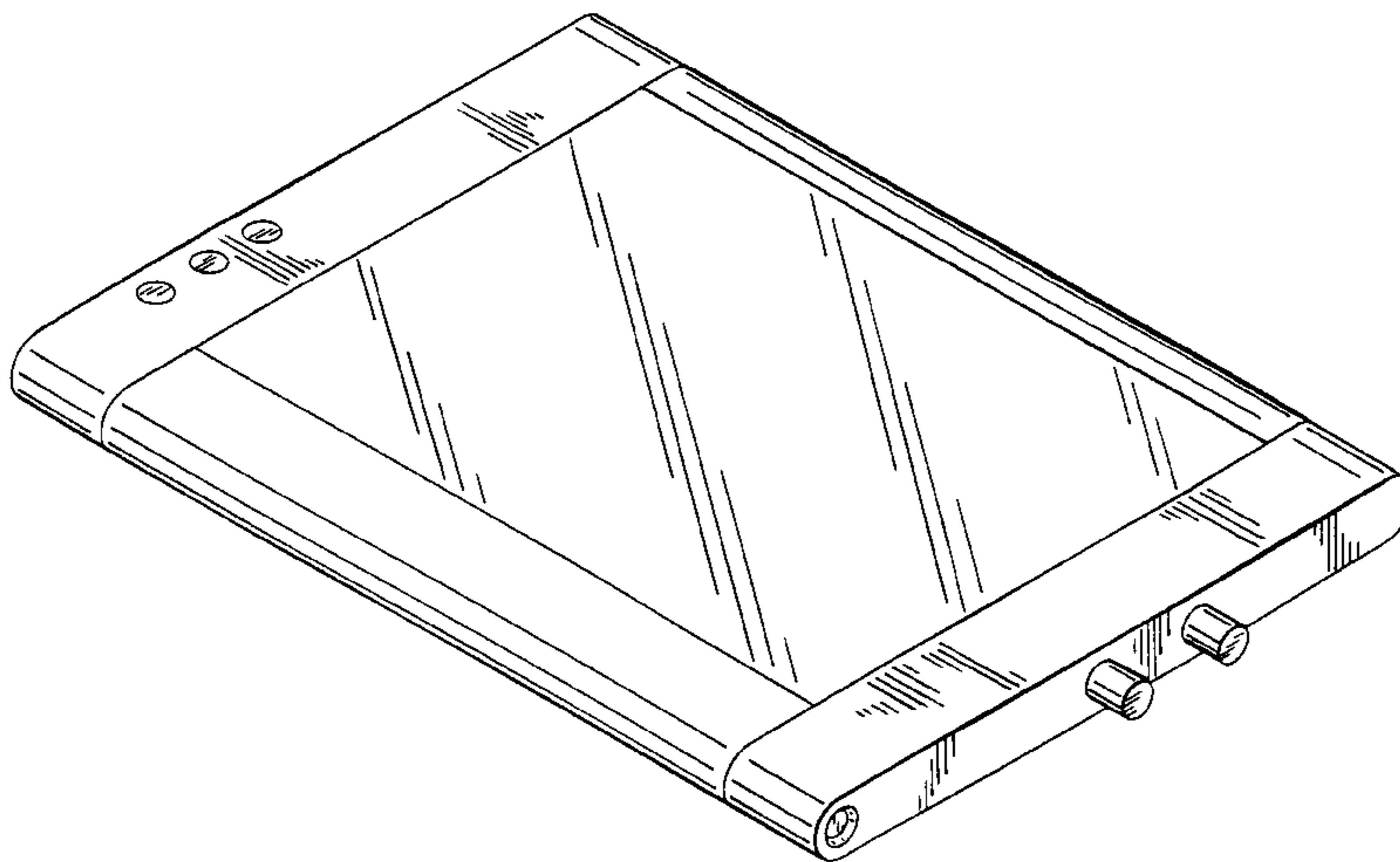


FIG. 1

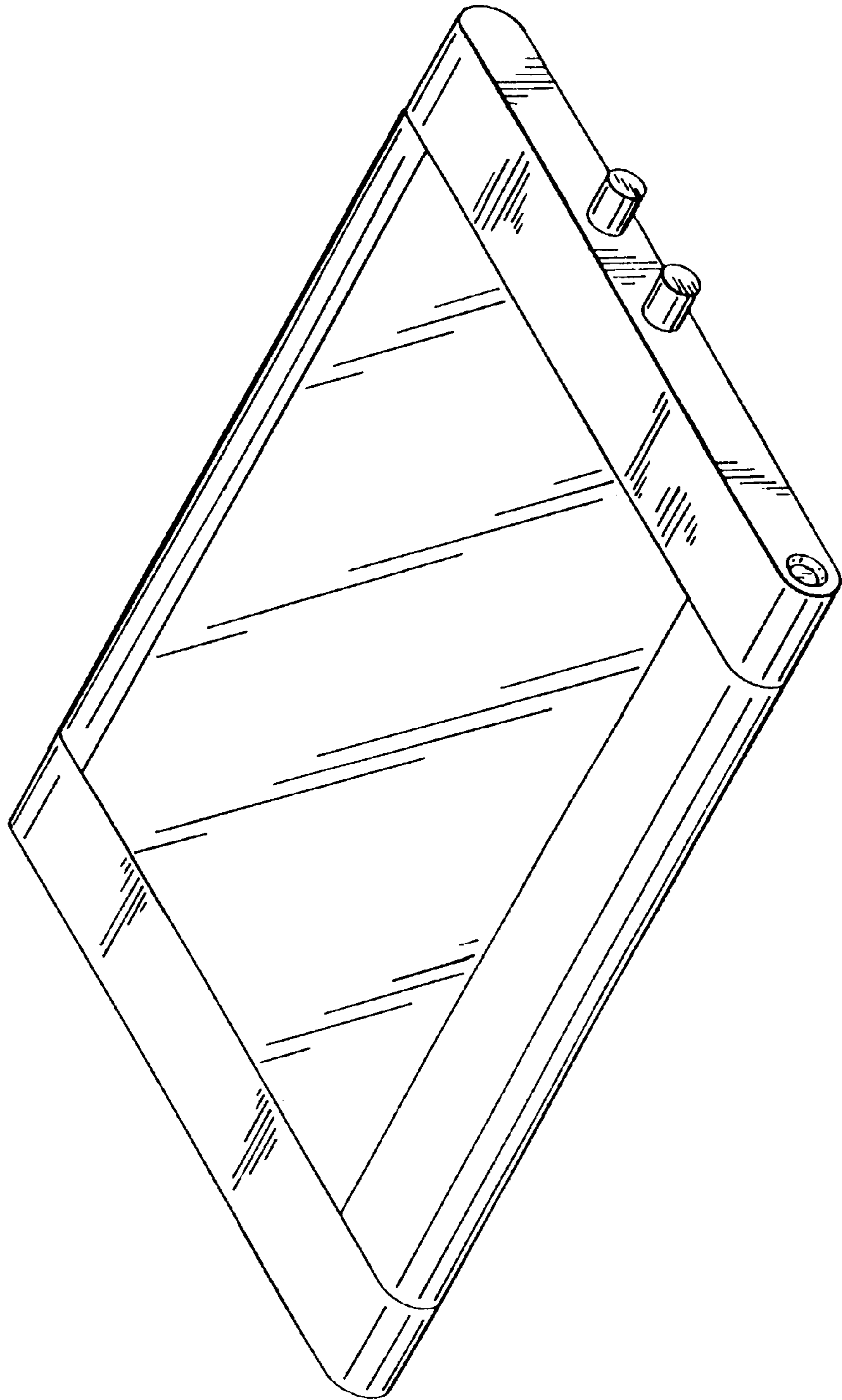


FIG. 2



FIG. 4

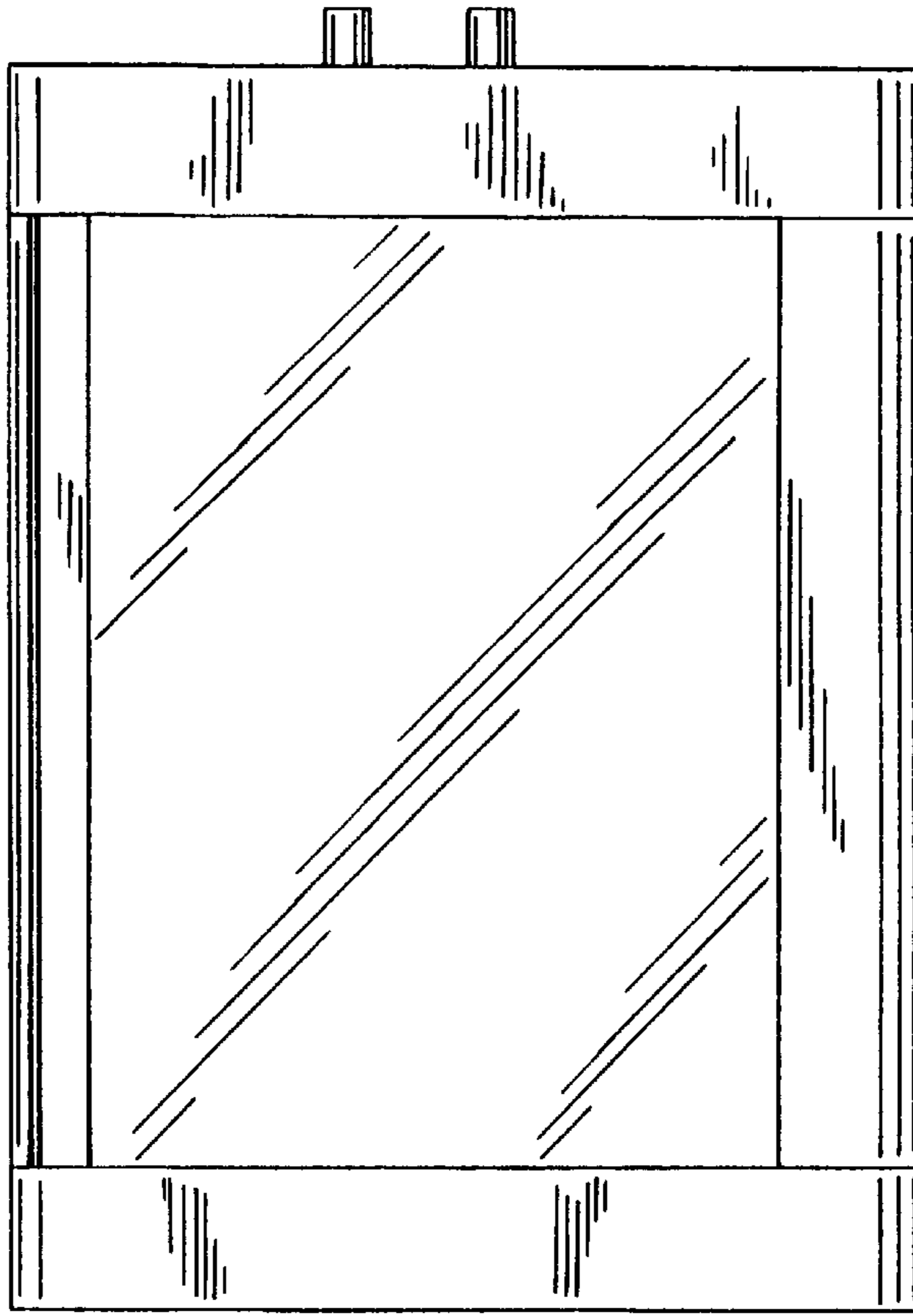


FIG. 6



FIG. 3



FIG. 5

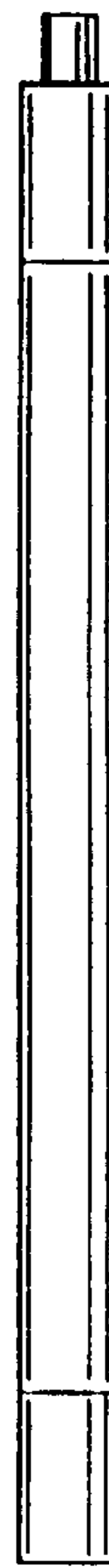


FIG. 7

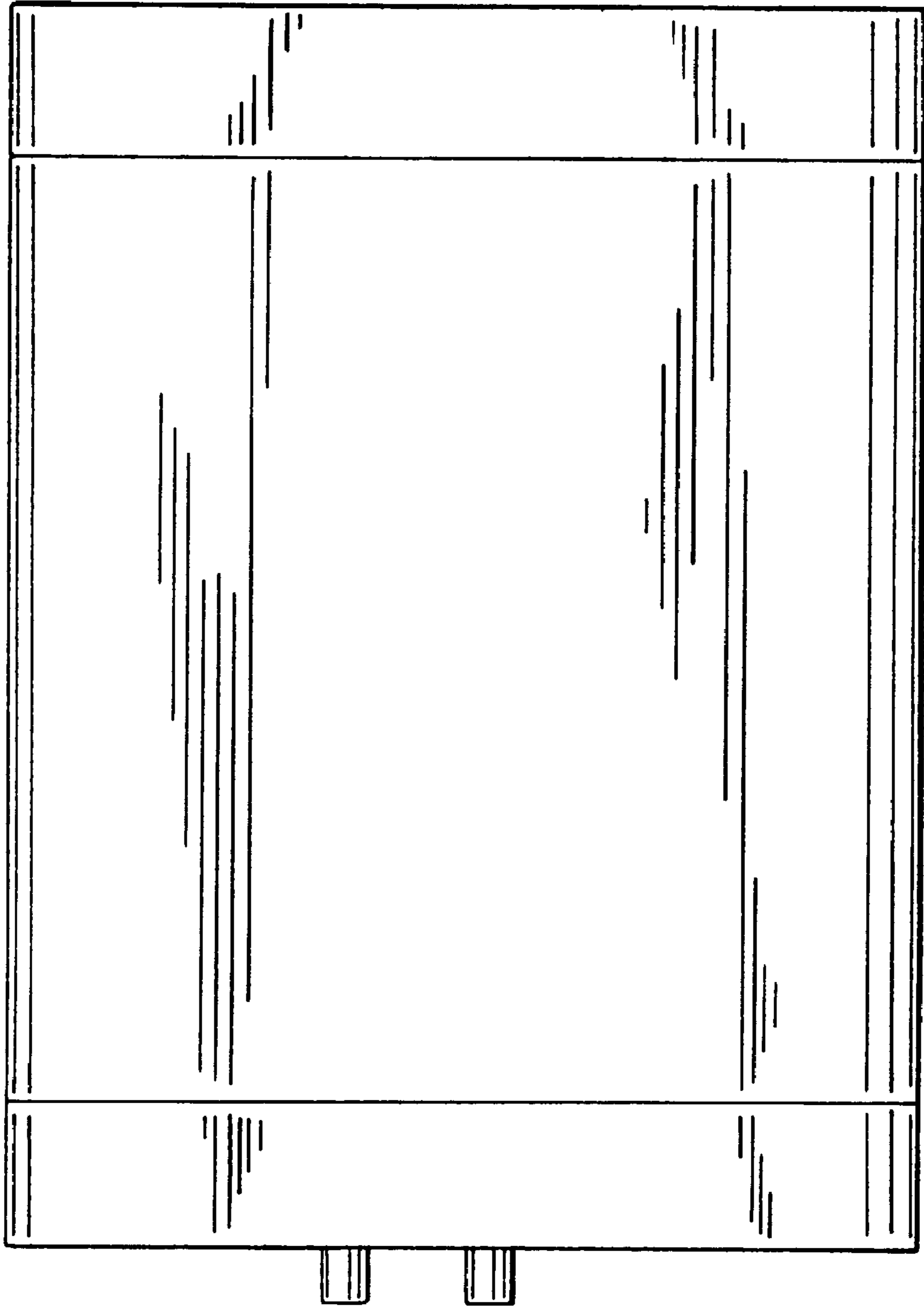


FIG. 8

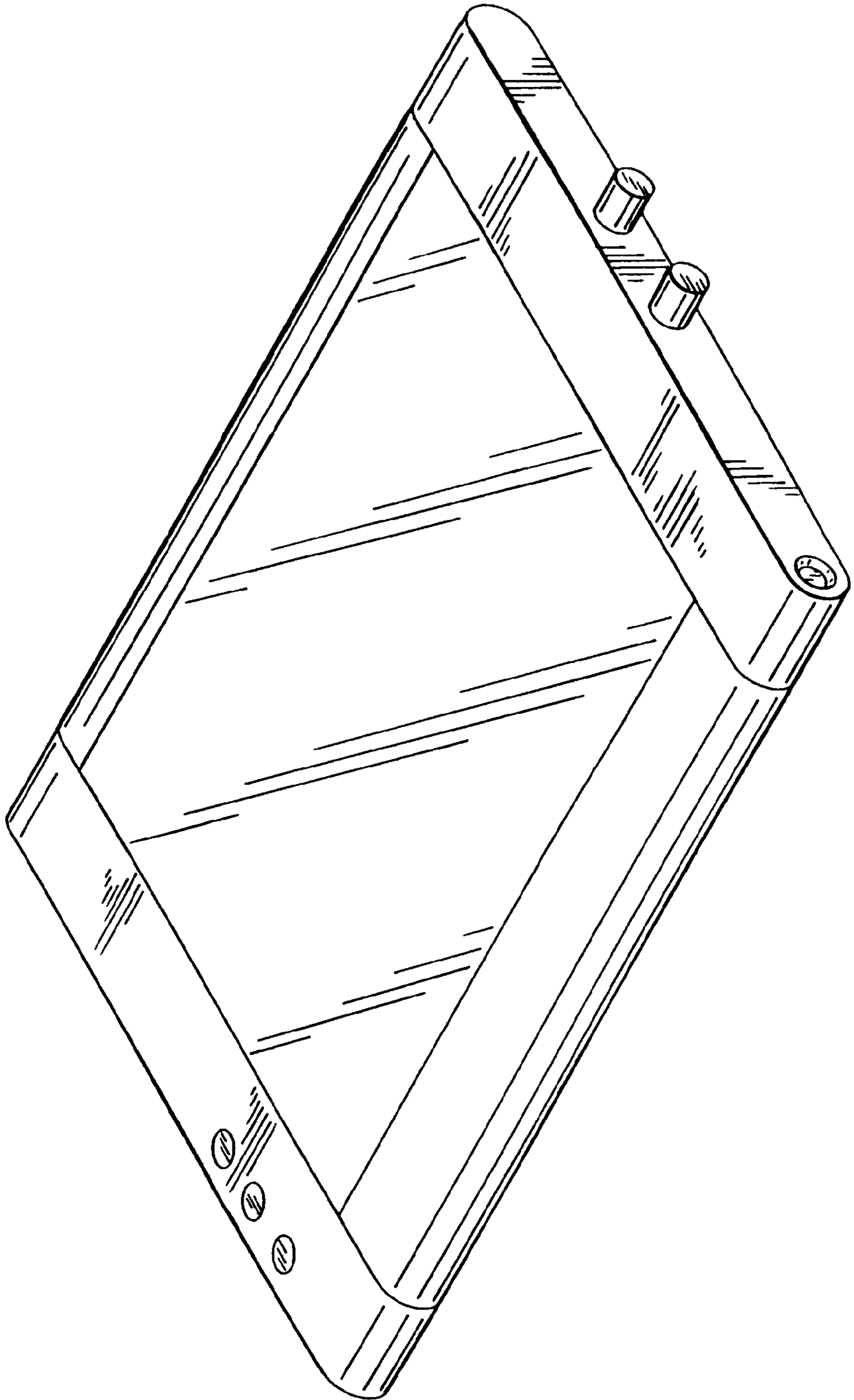


FIG. 9



FIG. 11

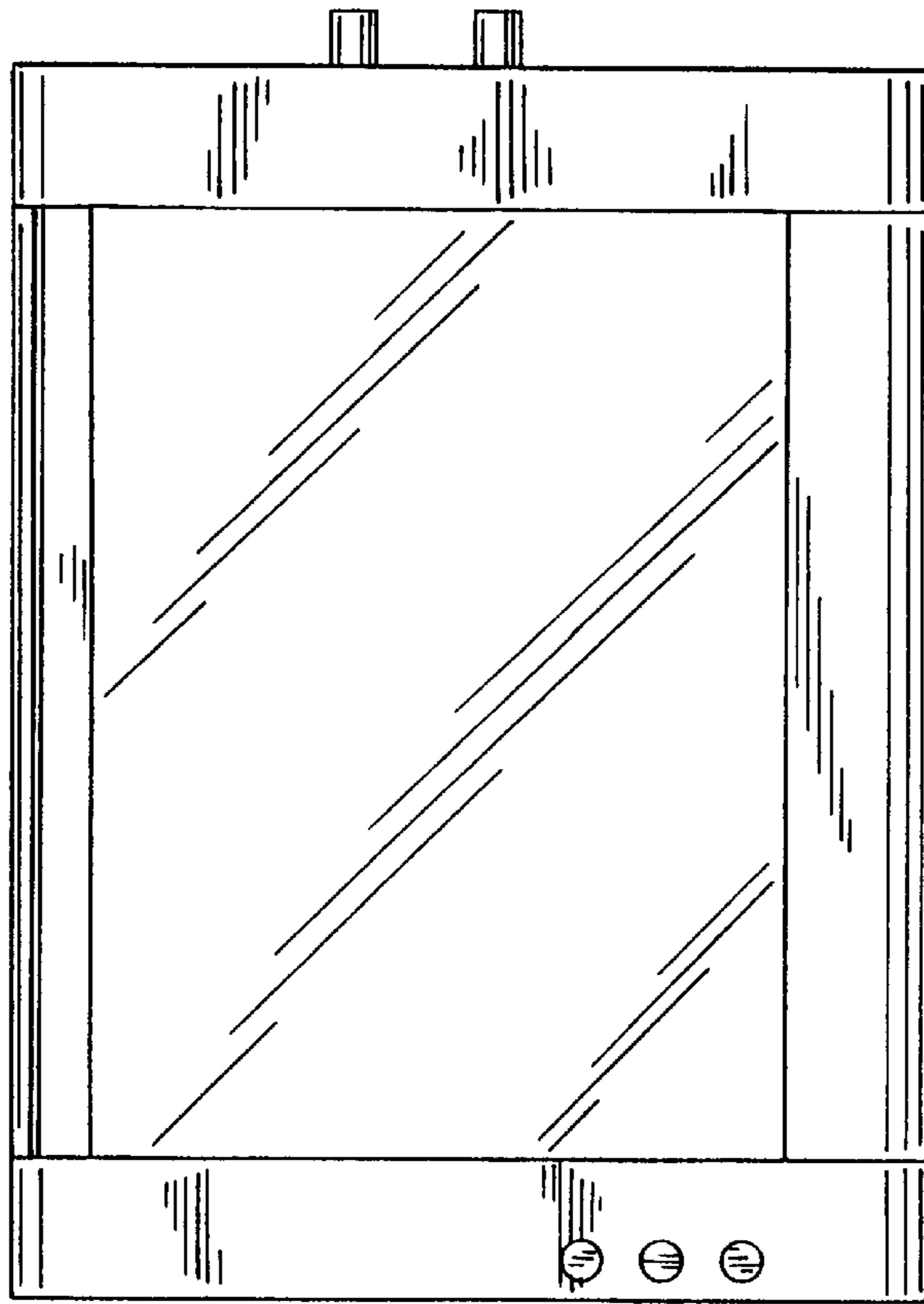


FIG. 13



FIG. 10



FIG. 12



FIG. 14

