



US00D408792S

United States Patent [19] Hwang

[11] **Patent Number: Des. 408,792**

[45] **Date of Patent: ** Apr. 27, 1999**

[54] **SWITCH**

[75] **Inventor: In Gil Hwang**, Seoul, Rep. of Korea

[73] **Assignee: Anam Industrial Co., Ltd.**, Seoul, Rep. of Korea

[**] **Term: 14 Years**

[21] **Appl. No.: 29/057,999**

[22] **Filed: Aug. 6, 1996**

[51] **LOC (6) Cl. 13-03**

[52] **U.S. Cl. D13/171; D13/169**

[58] **Field of Search D13/158-178, D13/199; D8/353; 174/66; 200/5 A, 5 R, 310, 315, 339; 220/241**

[56] **References Cited**

U.S. PATENT DOCUMENTS

D. 210,590	3/1968	Edmisson	D8/353
D. 327,212	6/1992	Hubben et al.	D8/353
D. 331,741	12/1992	Fujiyoshi	D13/169
D. 331,742	12/1992	Fujiyoshi	D13/169
D. 331,743	12/1992	Fujiyoshi	D13/169
D. 339,325	9/1993	Spencer et al.	D8/353 X
5,036,168	7/1991	Kikuchi et al.	200/5 R
5,041,698	8/1991	Takagi et al.	174/66

FOREIGN PATENT DOCUMENTS

41229 5/1986 Italy D13/162

OTHER PUBLICATIONS

“L’Elettrotecnica”, p. 4, Sep. 1985.

Primary Examiner—James Gandy
Assistant Examiner—Cathron B. Matta
Attorney, Agent, or Firm—Abelman, Frayne & Schwab

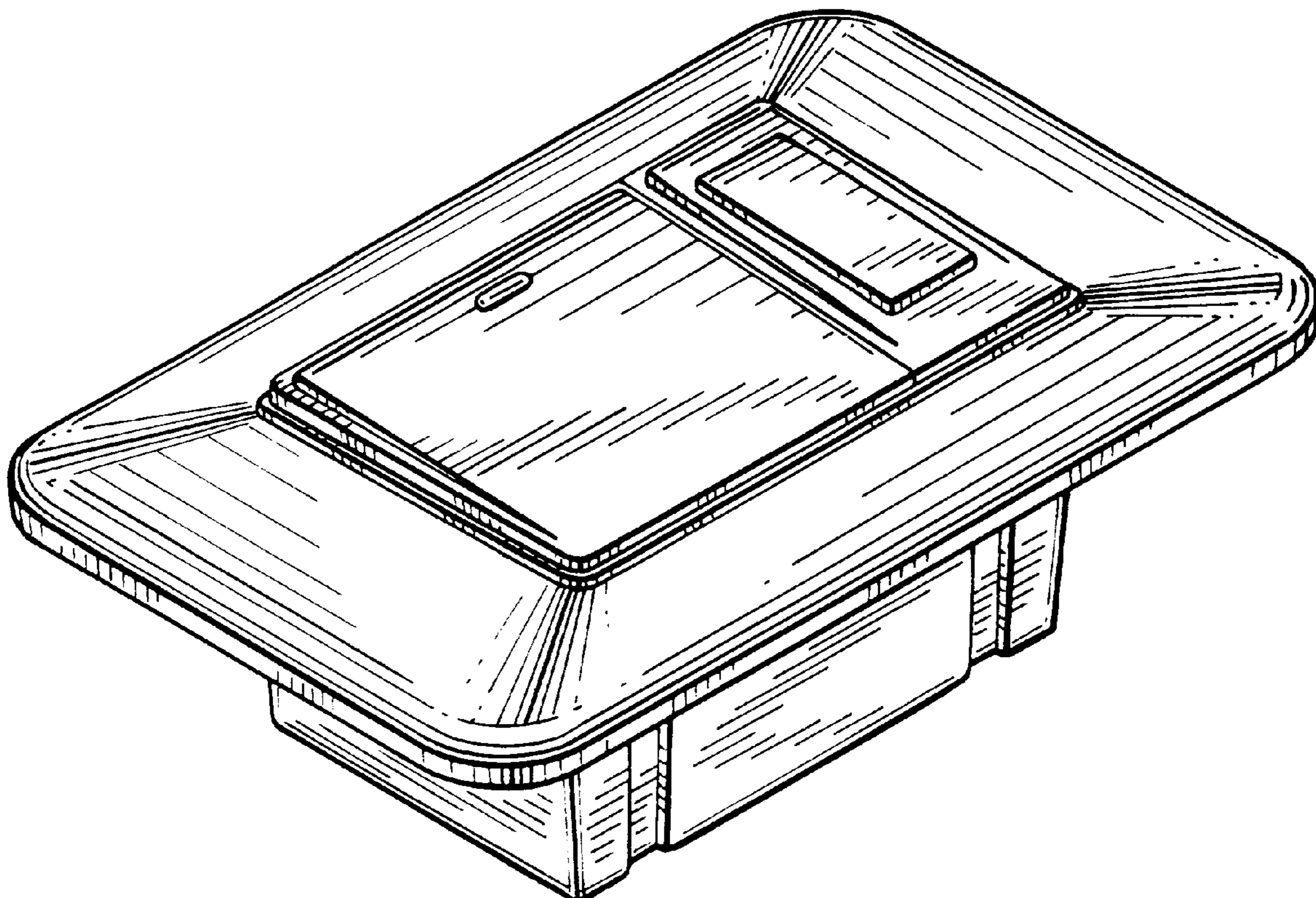
[57] **CLAIM**

I claim an ornamental design for a switch, as shown and described.

DESCRIPTION

FIG. 1 is a perspective view of the switch showing my new design;
FIG. 2 is a front view of FIG. 1;
FIG. 3 is a rear view of FIG. 1;
FIG. 4 is a left view of FIG. 1, the right side view being substantially a mirror image therefore; and,
FIG. 5 is a top plan view of FIG. 1.
The bottom of the switch forms no part of the claimed design.

1 Claim, 3 Drawing Sheets



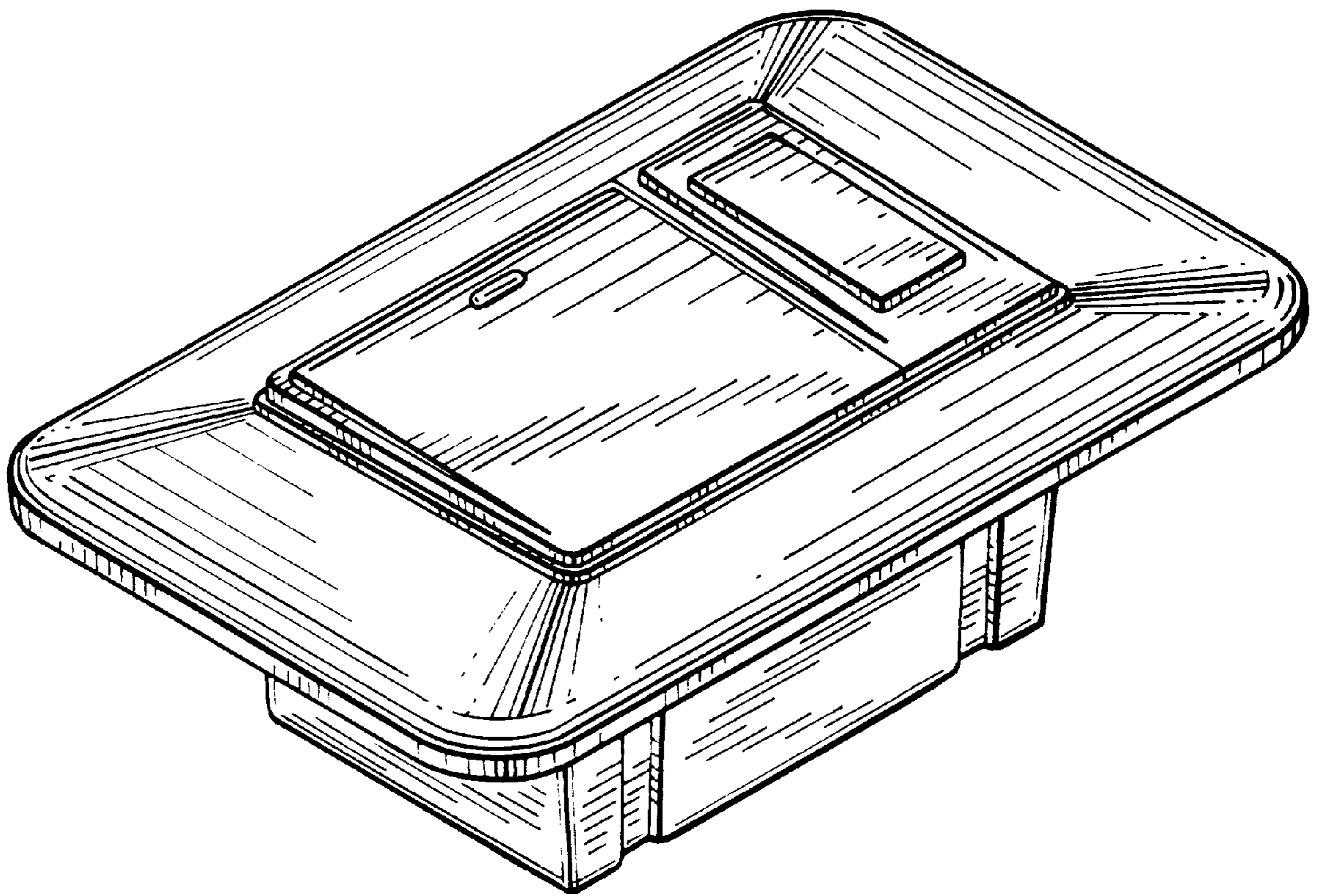


FIG. 1

FIG. 2

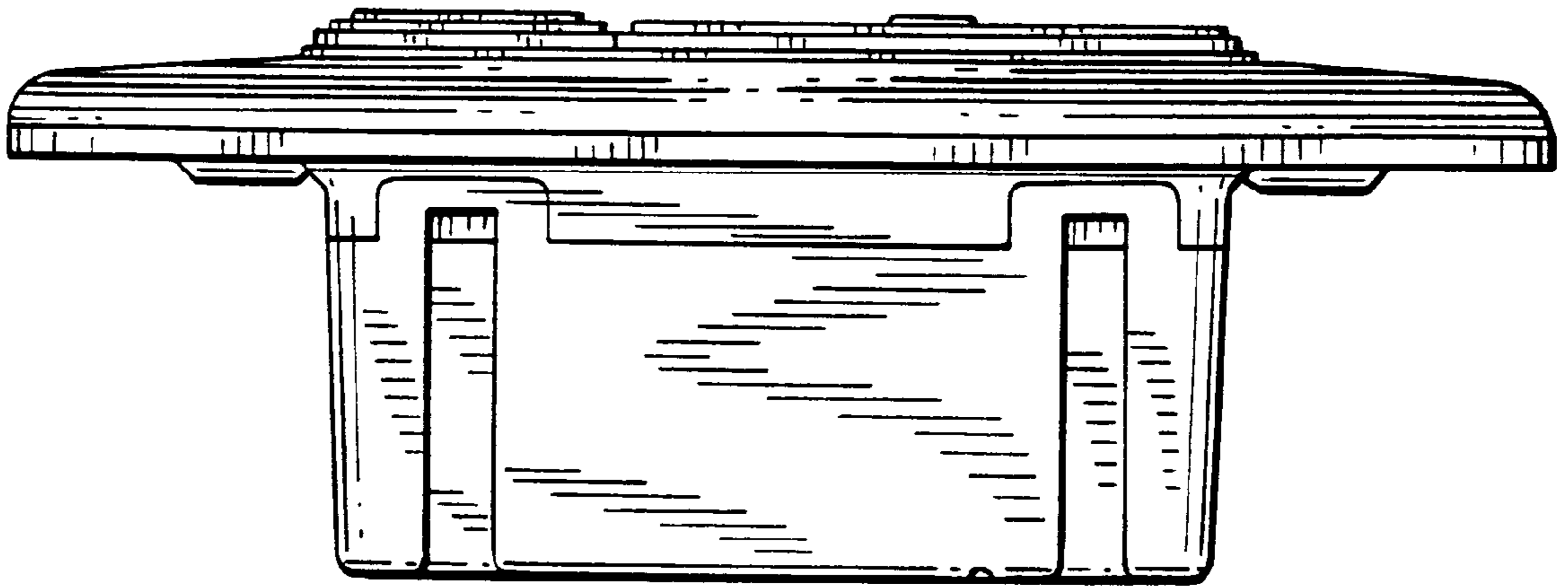


FIG. 3

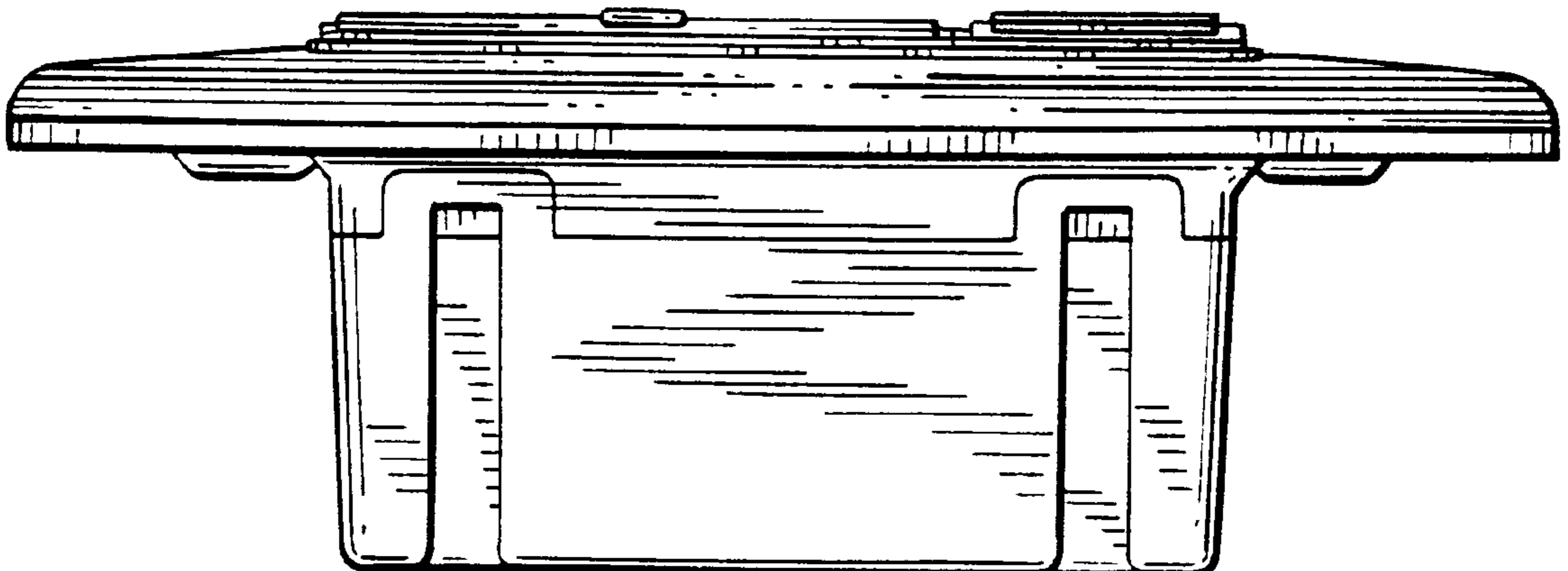


FIG. 4

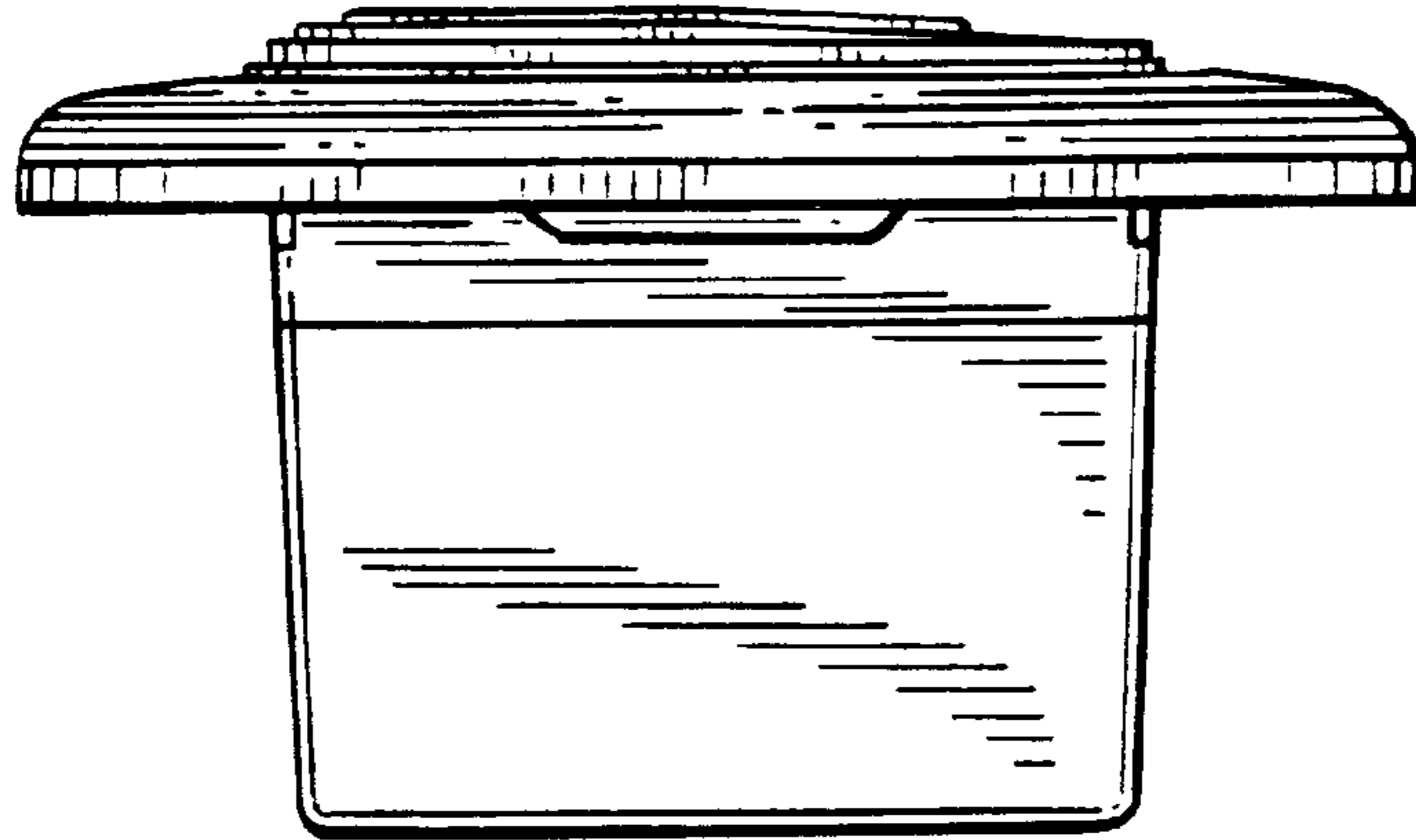


FIG. 5

