



US00D408789S

**United States Patent** [19]  
**Middlehurst et al.**

[11] **Patent Number: Des. 408,789**  
[45] **Date of Patent: \*\* Apr. 27, 1999**

[54] **ELECTRICAL CONNECTOR HOUSING**  
[75] Inventors: **Richard J. Middlehurst**, Fremont;  
**Jason S. Sloey**, Milpitas, both of Calif.  
[73] Assignee: **Elcon Products International Company**, Fremont, Calif.  
[\*\*] Term: **14 Years**  
[21] Appl. No.: **29/086,729**  
[22] Filed: **Apr. 16, 1998**  
[51] **LOC (6) Cl.** ..... **13-03**  
[52] **U.S. Cl.** ..... **D13/154; D13/147**  
[58] **Field of Search** ..... **D13/146, 147;**  
**439/59, 78, 79, 607, 609, 660, 677, 636,**  
**637**

4,616,893 10/1986 Feldman .  
4,749,357 6/1988 Foley .  
4,824,380 4/1989 Matthews .  
4,854,899 8/1989 Matthews .  
4,946,392 8/1990 Kobler et al. .  
4,983,127 1/1991 Kawai et al. .  
5,055,055 10/1991 Bakker .  
5,088,942 2/1992 Welsh et al. .  
5,211,589 5/1993 McCardell .  
5,281,165 1/1994 Mc Cleerey et al. .... 439/79 X  
5,306,182 4/1994 Fukushima et al. .  
5,376,012 12/1994 Clark .  
5,387,134 2/1995 Bryce et al. .... 439/660  
5,397,248 3/1995 Whiteman Jr. et al. .... 439/571  
5,431,576 7/1995 Matthews .  
5,547,400 8/1996 Wright .  
5,549,480 8/1996 Cheng ..... 439/79  
5,575,690 11/1996 Eaton .  
5,725,394 3/1998 Banakis et al. .  
5,741,161 4/1998 Cahaly et al. .... 439/637

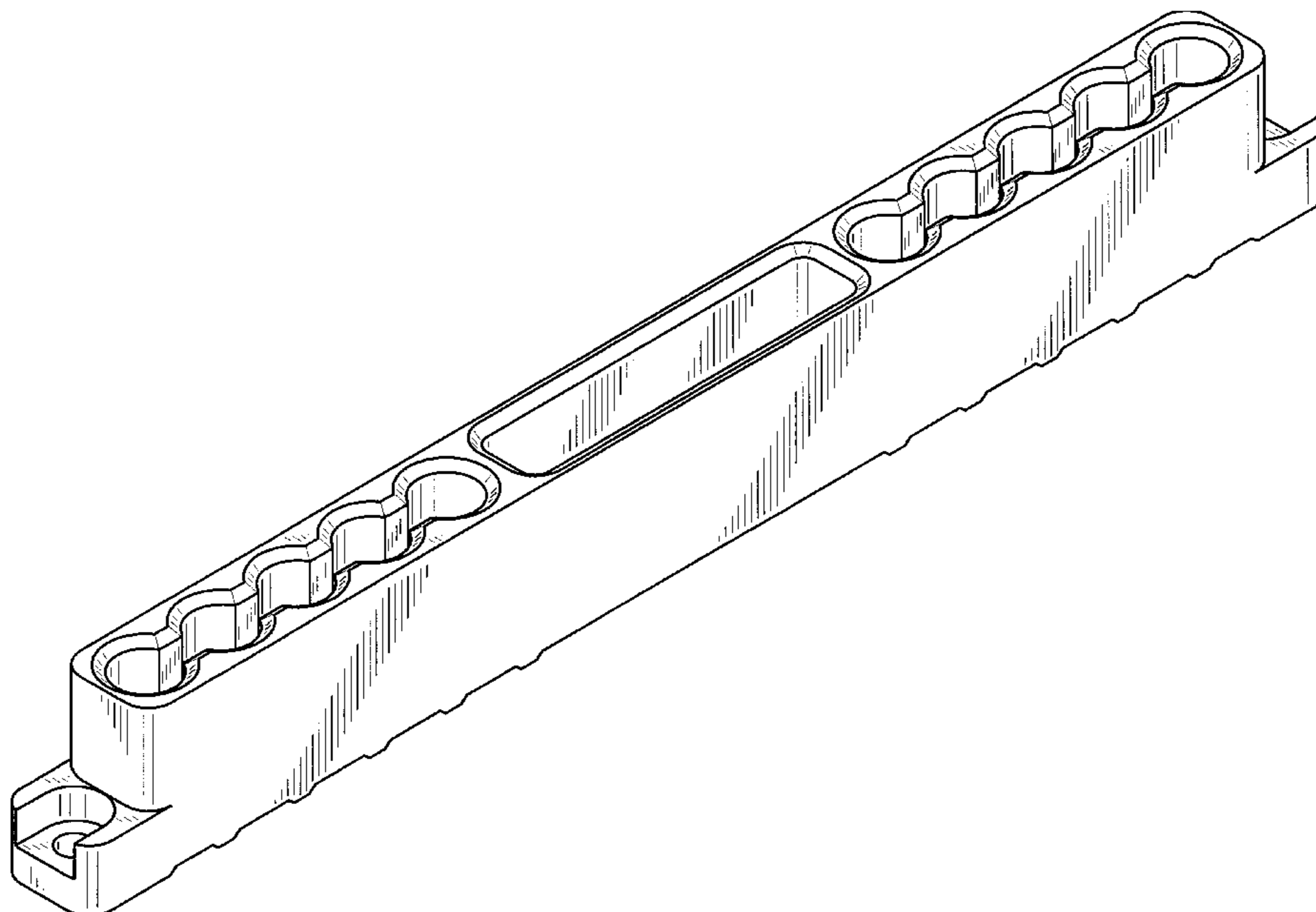
[56] **References Cited**  
**U.S. PATENT DOCUMENTS**  
D. 366,239 1/1996 Eaton .  
D. 366,241 1/1996 Eaton .  
D. 366,454 1/1996 Eaton .  
D. 368,071 3/1996 Eaton .  
D. 372,220 7/1996 Matthews .  
3,120,989 2/1964 Solorow et al. .  
3,383,643 5/1968 Nava et al. .  
3,471,822 10/1969 Van Baelen .  
3,560,911 2/1971 Zimmerman, Jr. et al. .  
3,587,029 6/1971 Knowles .  
3,617,992 11/1971 Ruehlemann et al. .  
3,697,933 10/1972 Black et al. .  
3,808,578 4/1974 Hansen .  
4,127,317 11/1978 Tyree ..... 439/636 X  
4,191,440 3/1980 Schramm .  
4,379,611 4/1983 Foege et al. .  
4,451,107 5/1984 Dola et al. .  
4,458,970 7/1984 Fourreau et al. .  
4,514,784 4/1985 Williams et al. .  
4,561,711 12/1985 Zrnich ..... 439/59

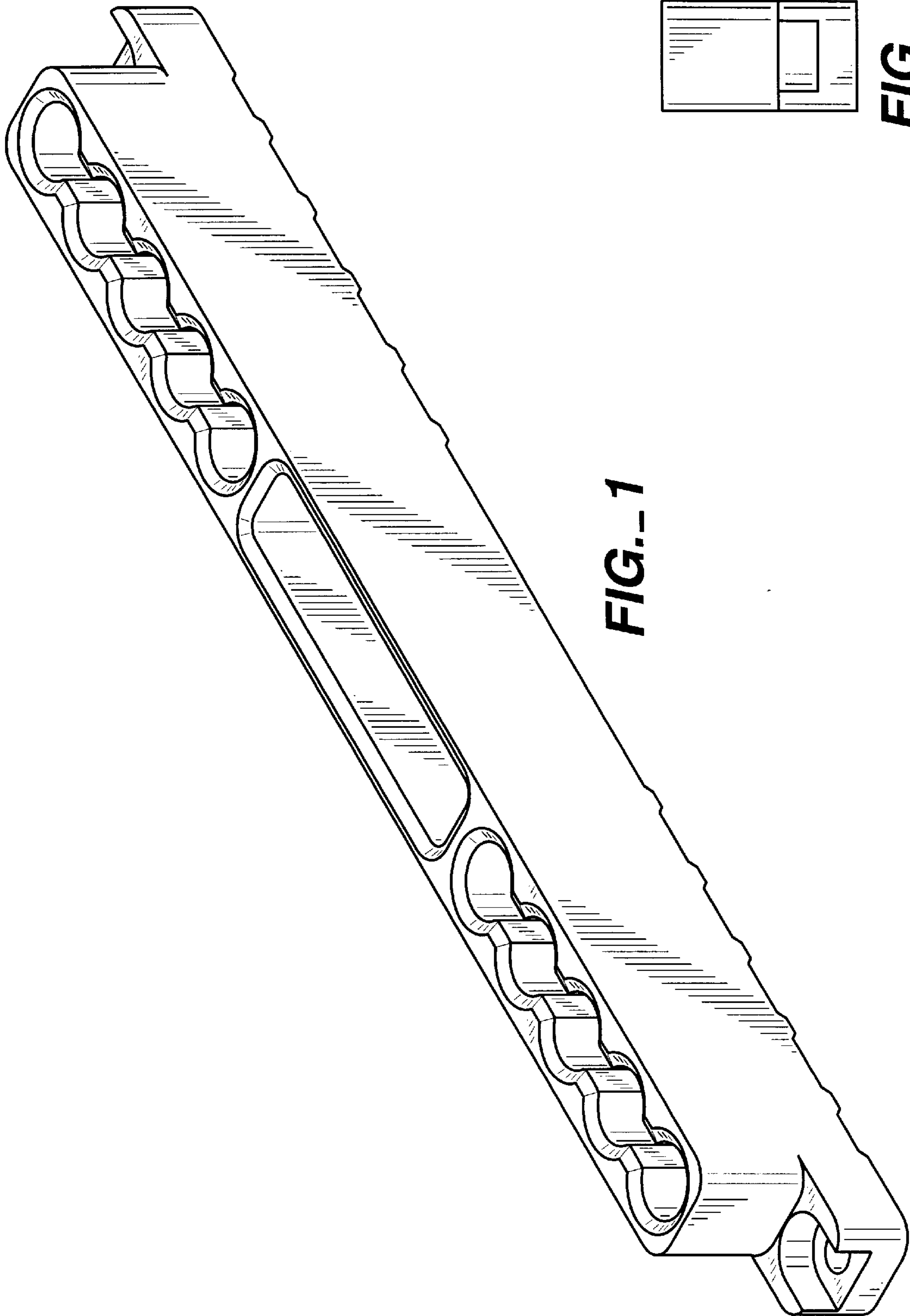
*Primary Examiner*—Joel Sincavage  
*Attorney, Agent, or Firm*—Burns, Doane, Swecker & Mathis, LLP

[57] **CLAIM**  
The ornamental design for an electrical connector housing, as shown and described.

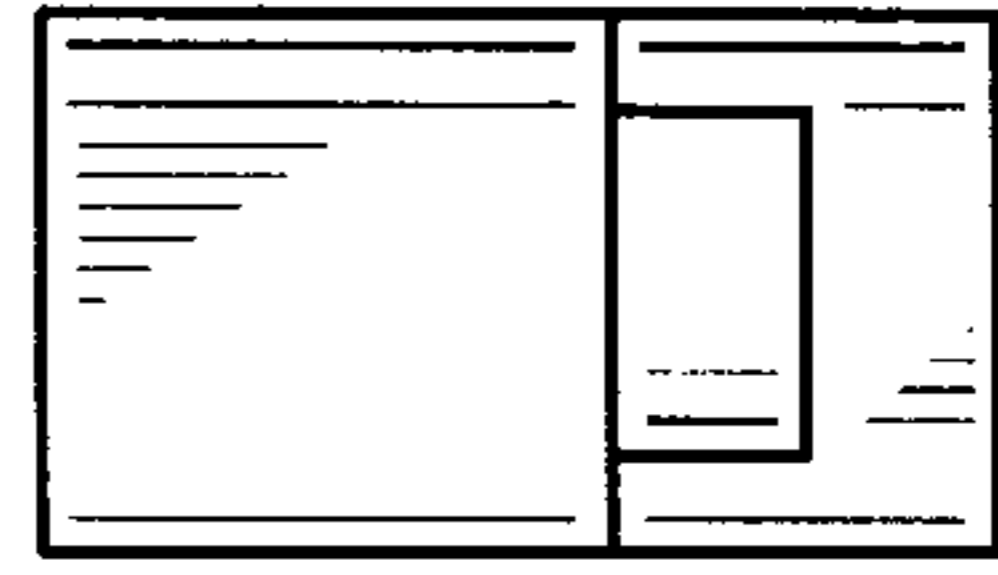
**DESCRIPTION**  
FIG. 1 is a perspective view as seen from the front and upper left of an electrical connector housing showing our new design;  
FIG. 2 is a front elevational view thereof, the rear is identical;  
FIG. 3 is a right side elevational view thereof, the left side is identical;  
FIG. 4 is a top plan view thereof; and,  
FIG. 5 is a bottom plan view thereof but is not part of the claimed design.

**1 Claim, 2 Drawing Sheets**

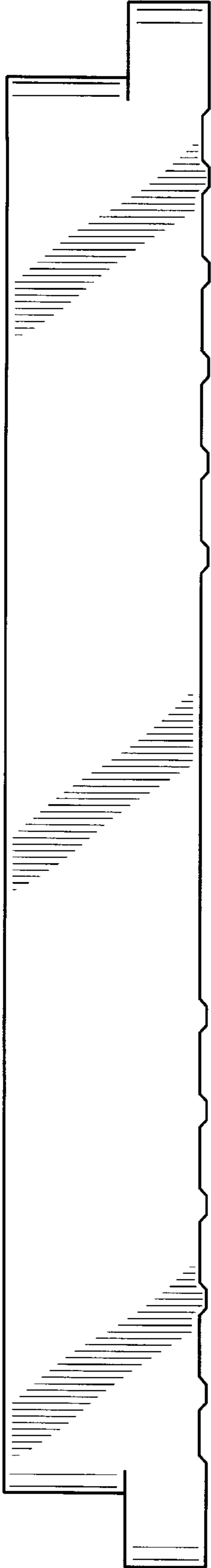




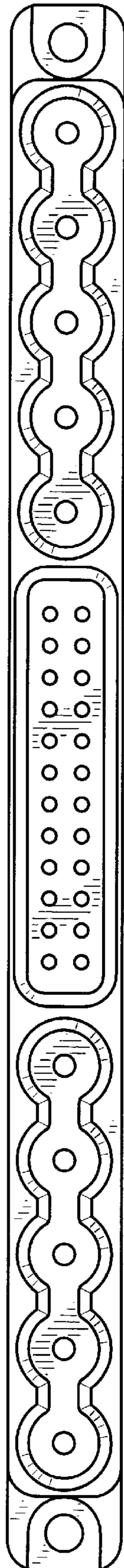
**FIG. 1**



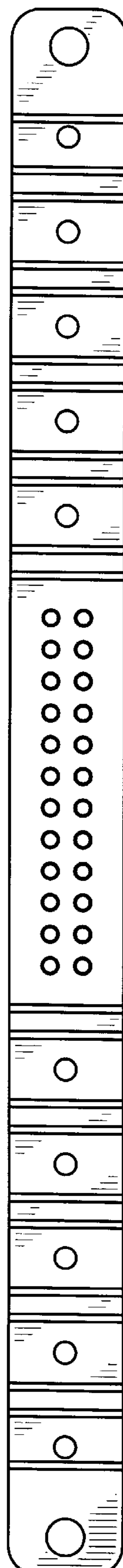
**FIG. 3**



**FIG. 2**



**FIG. 4**



**FIG. 5**