



US00D408788S

United States Patent [19] Homma

[11] **Patent Number: Des. 408,788**

[45] **Date of Patent: **Apr. 27, 1999**

[54] **ELECTRIC CONNECTOR**

D. 375,293 11/1996 Suzuki D13/147
5,660,558 8/1997 Osanai et al. 439/607 X

[75] Inventor: **Kazuhiro Homma**, Tokyo, Japan

[73] Assignee: **Honda Tsushin Kogyo Co., Ltd.**,
Tokyo, Japan

Primary Examiner—Joel Sincavage
Attorney, Agent, or Firm—Nikaido, Marmelstein, Murray &
Oram LLP

[**] Term: **14 Years**

[57] **CLAIM**

[21] Appl. No.: **29/086,789**

The ornamental design for electric connector, as shown and described.

[22] Filed: **Apr. 20, 1998**

[30] **Foreign Application Priority Data**

DESCRIPTION

Mar. 4, 1998 [JP] Japan 10-5795

FIG. 1 is a perspective view of the electric connector showing my new design;

[51] **LOC (6) Cl.** **13-03**

FIG. 2 is a front elevational view thereof;

[52] **U.S. Cl.** **D13/147**

FIG. 3 is a rear elevational view thereof;

[58] **Field of Search** D13/146, 147;
439/252, 325, 326, 378, 630, 636, 607,
609, 682, 571, 62, 79, 81, 83, 633

FIG. 4 is a right side elevational view thereof;

FIG. 5 is a top plan view thereof; and,

FIG. 6 is a bottom plan view thereof.

[56] **References Cited**

U.S. PATENT DOCUMENTS

D. 351,136 10/1994 Kurata D13/147

1 Claim, 2 Drawing Sheets

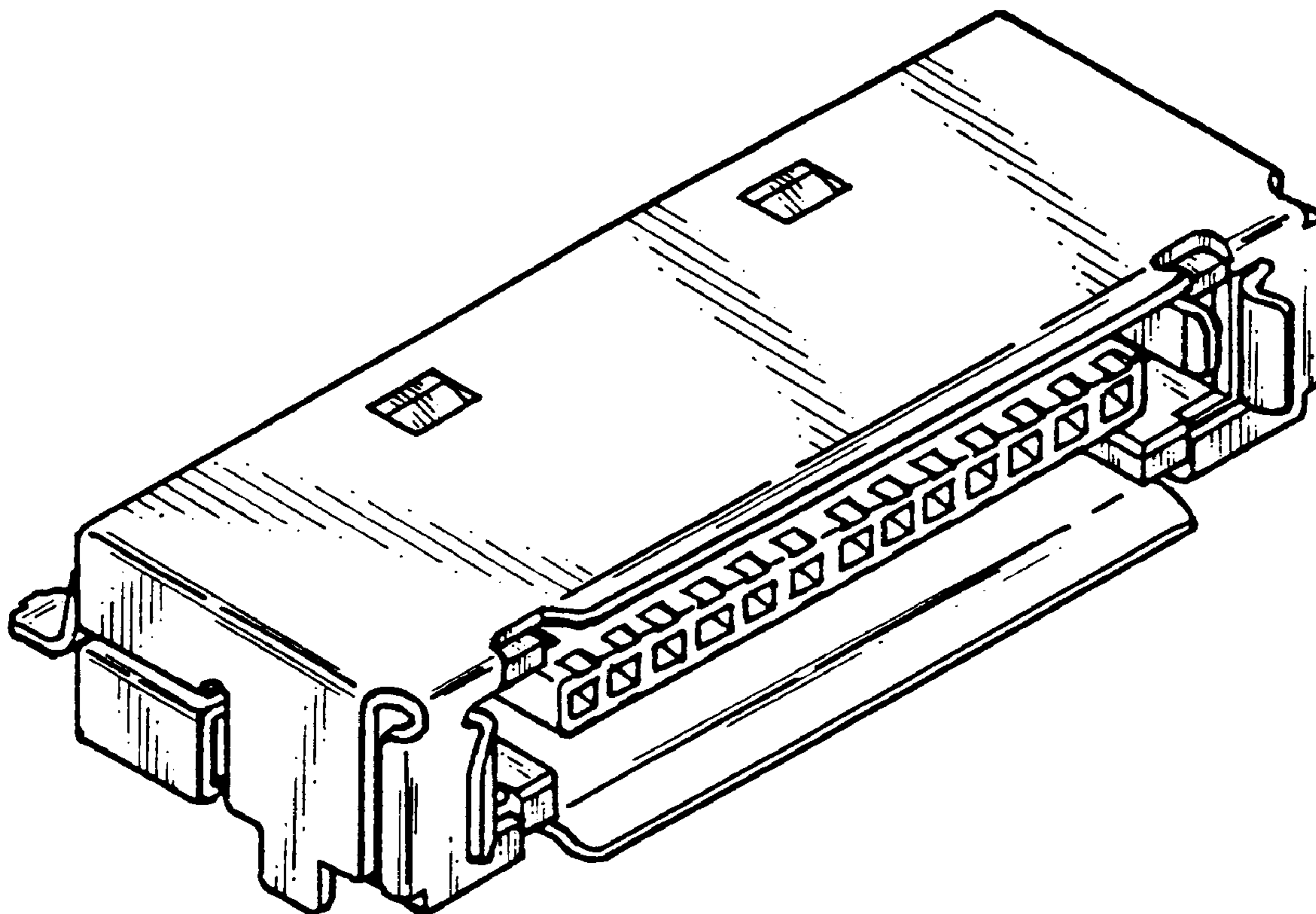


FIG. 1

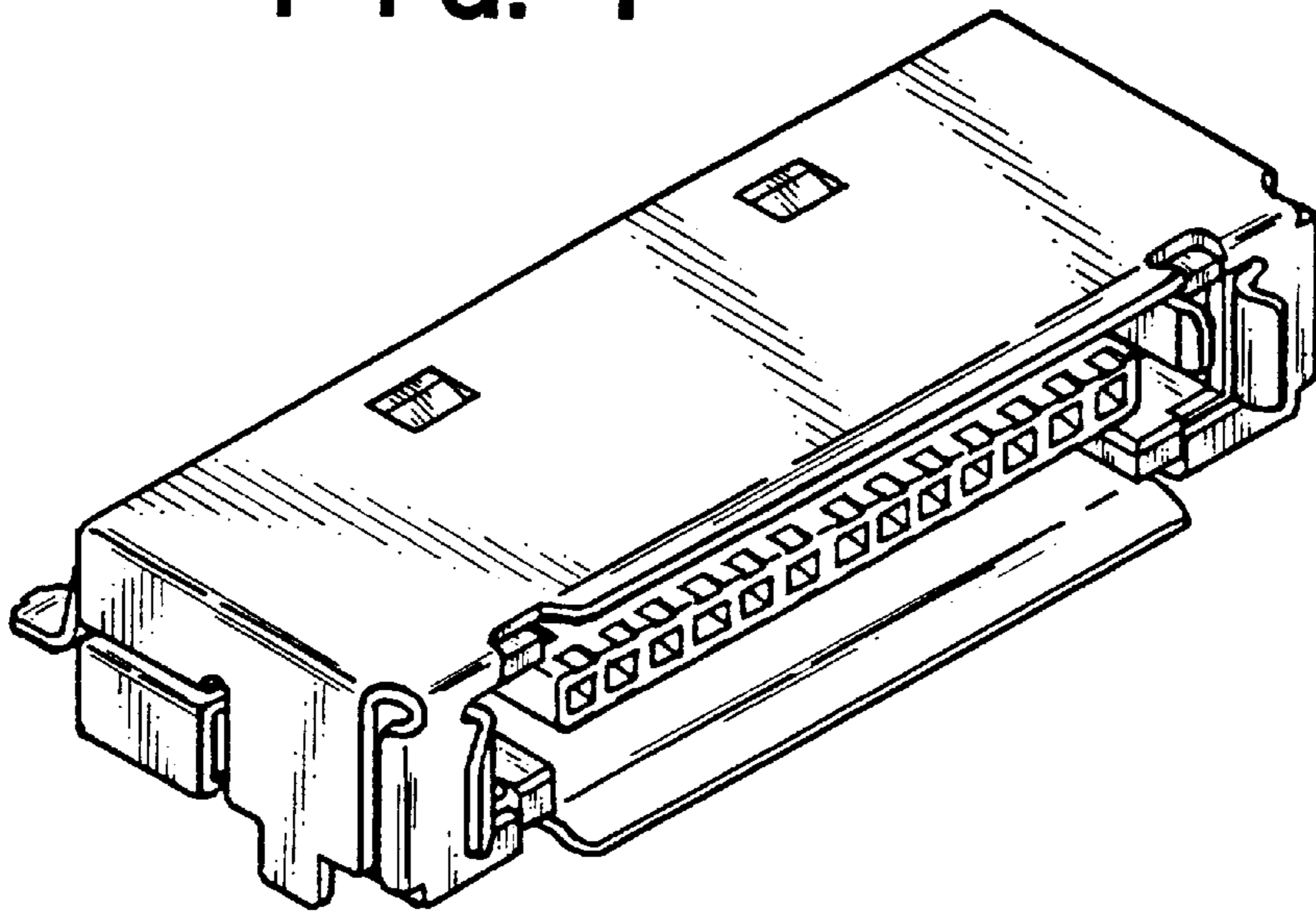


FIG. 2

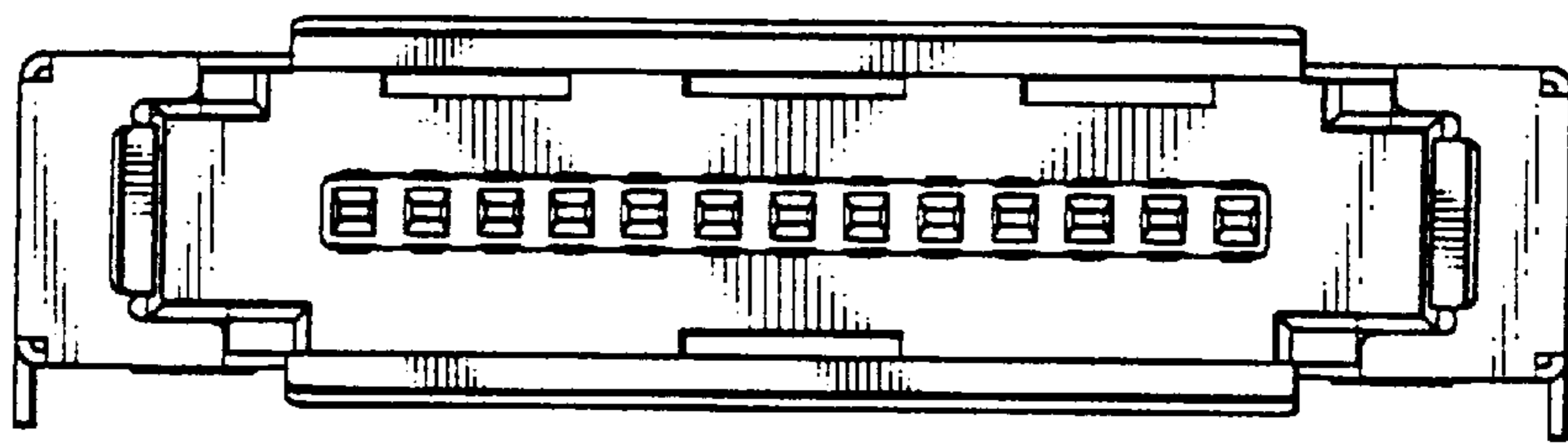


FIG. 3

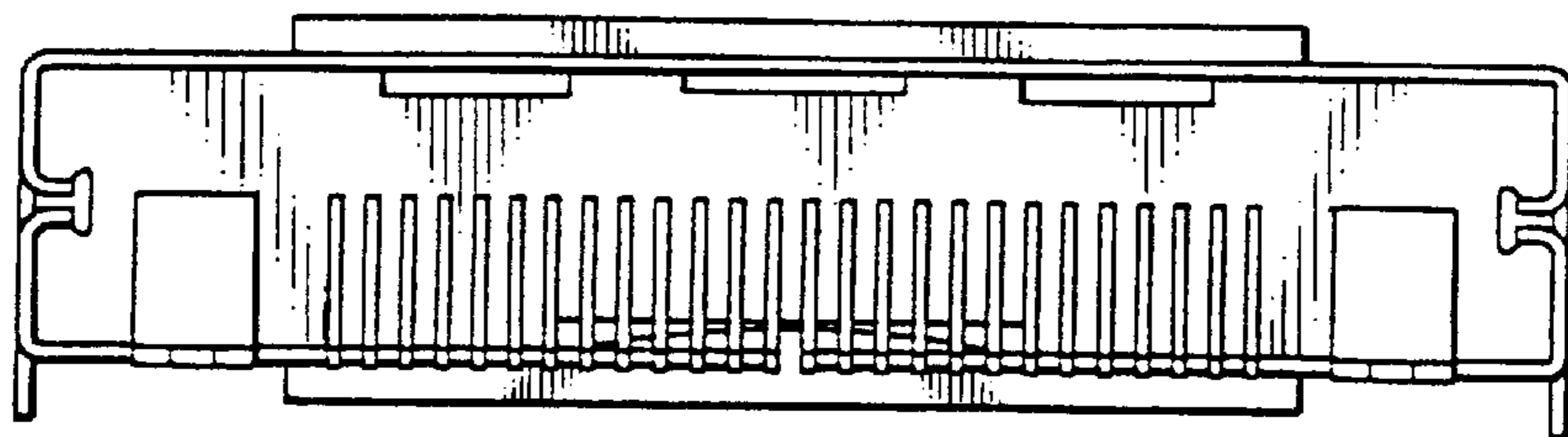


FIG. 4

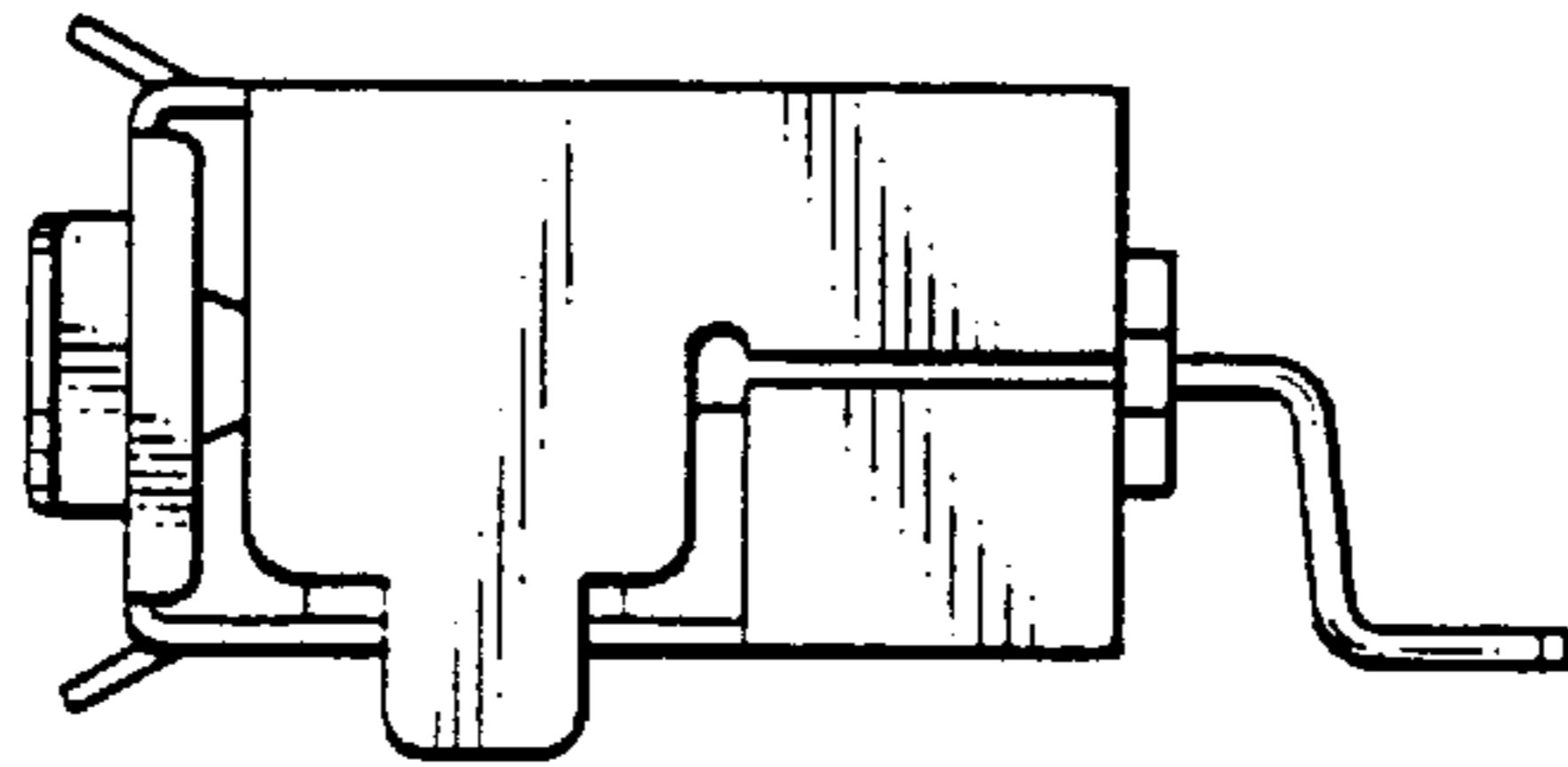


FIG. 5

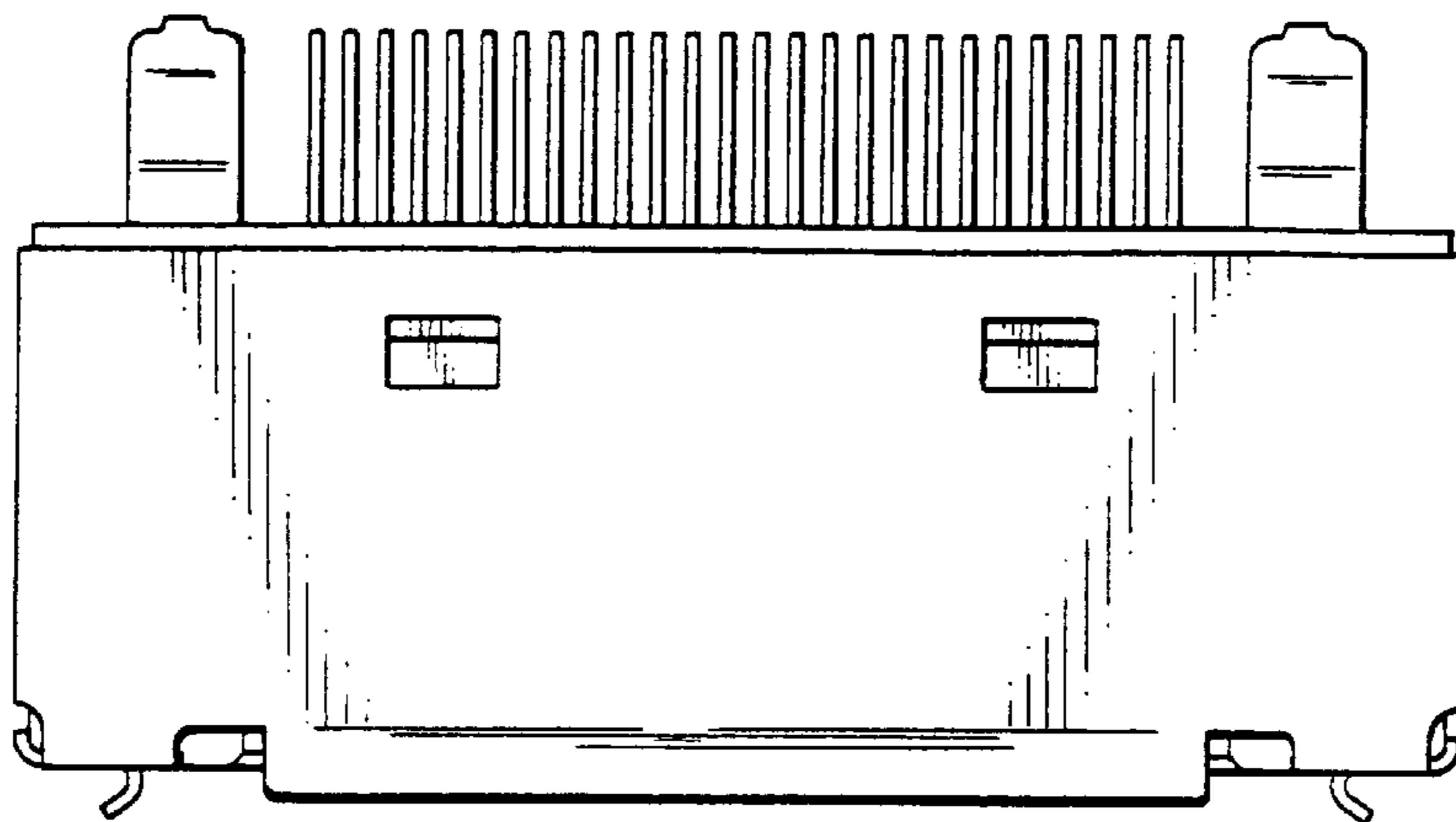


FIG. 6

