



US00D408786S

# United States Patent [19] Goto

[11] Patent Number: Des. 408,786

[45] Date of Patent: \*\*Apr. 27, 1999

[54] PLUG

[75] Inventor: Teiyu Goto, Tokyo, Japan

[73] Assignee: Sony Corporation, Tokyo, Japan

[\*\*] Term: 14 Years

[21] Appl. No.: 29/086,466

[22] Filed: Apr. 14, 1998

### [30] Foreign Application Priority Data

Oct. 14, 1997 [JP] Japan ..... 9-71377

[51] LOC (6) Cl. .... 13-03

[52] U.S. Cl. .... D13/138.1

[58] Field of Search ..... D13/138.1, 138.2;  
439/172, 140, 141, 152, 160, 484, 692-695,  
164, 446, 477, 135-137, 736, 131; 337/198,  
197

### [56] References Cited

#### U.S. PATENT DOCUMENTS

D. 148,379	1/1948	Nagy	.....	D13/138.1
D. 308,962	7/1990	Duk	.....	D13/138.1
D. 345,342	3/1994	Fox	.....	D13/138.1
2,675,531	4/1954	Sams et al.	.....	439/427
5,611,701	3/1997	Hahn	.....	439/131

Primary Examiner—Susan J. Lucas  
Assistant Examiner—Jennifer Rivard  
Attorney, Agent, or Firm—Foley & Lardner

### [57] CLAIM

The ornamental design for a plug, as shown and described.

### DESCRIPTION

FIG. 1 is a perspective view of a first embodiment of a plug showing my new design;

FIG. 2 is a top plan view of the first embodiment;

FIG. 3 is a left side elevational view thereof;

FIG. 4 is a front elevational view thereof;

FIG. 5 is a bottom plan view thereof;

FIG. 6 is a right side elevational thereof; and

FIG. 7 is a rear elevational view thereof.

FIG. 8 is a perspective view of the first embodiment of a plug wherein the terminal portion is shown in a folded position.

FIG. 9 is a perspective view of a second embodiment of a plug showing my new design;

FIG. 10 is a top plan view of the second embodiment;

FIG. 11 is a left side elevational view thereof;

FIG. 12 is a front elevational view thereof;

FIG. 13 is a bottom plan view thereof;

FIG. 14 is a right side elevational view thereof; and

FIG. 15 is a rear elevational view thereof; and,

FIG. 16 is a perspective view of the second embodiment of a plug wherein the terminal portion is shown in a folded position.

The broken lines are shown for illustrative purposes only and form no part of the claimed design.

1 Claim, 6 Drawing Sheets

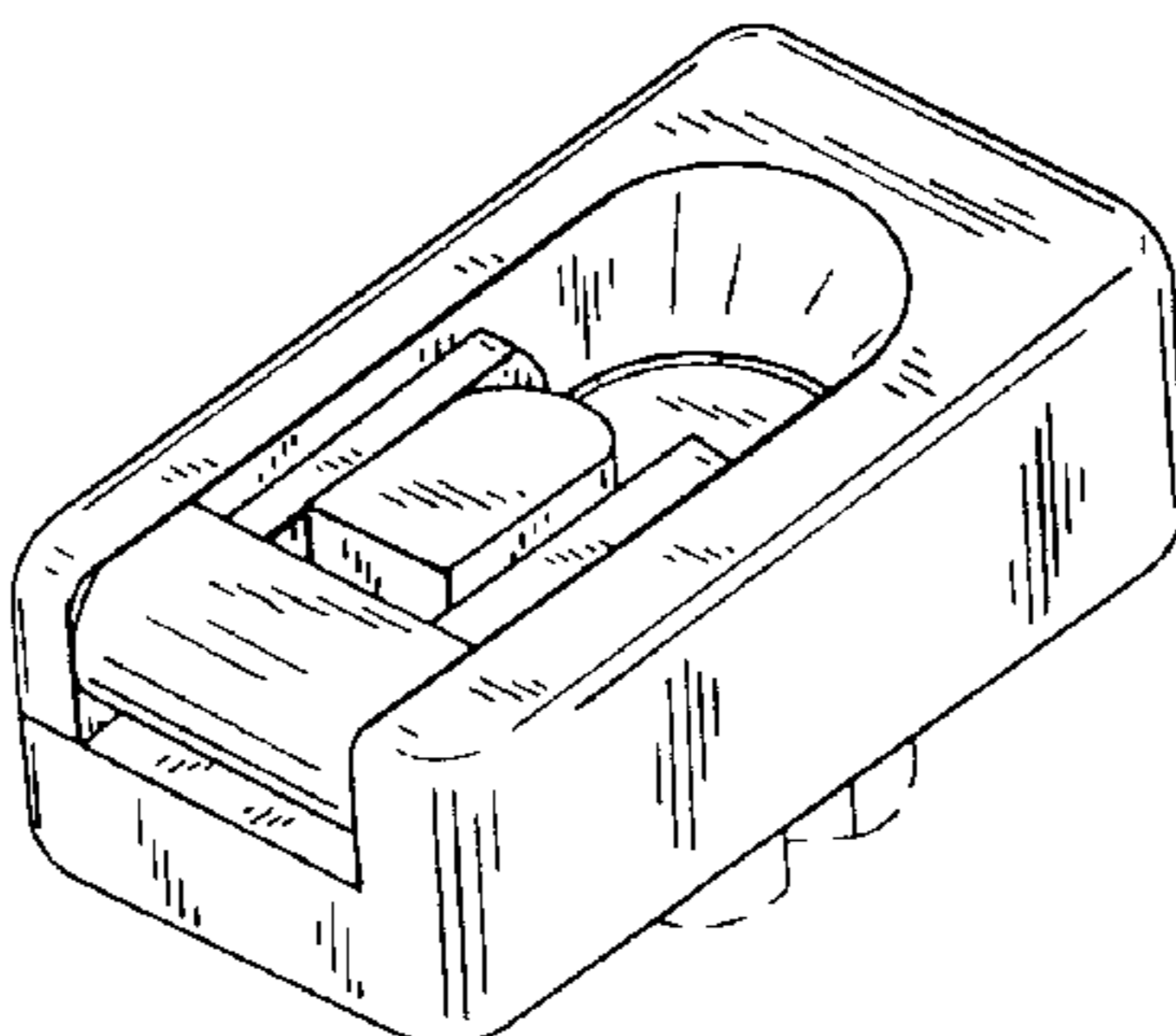
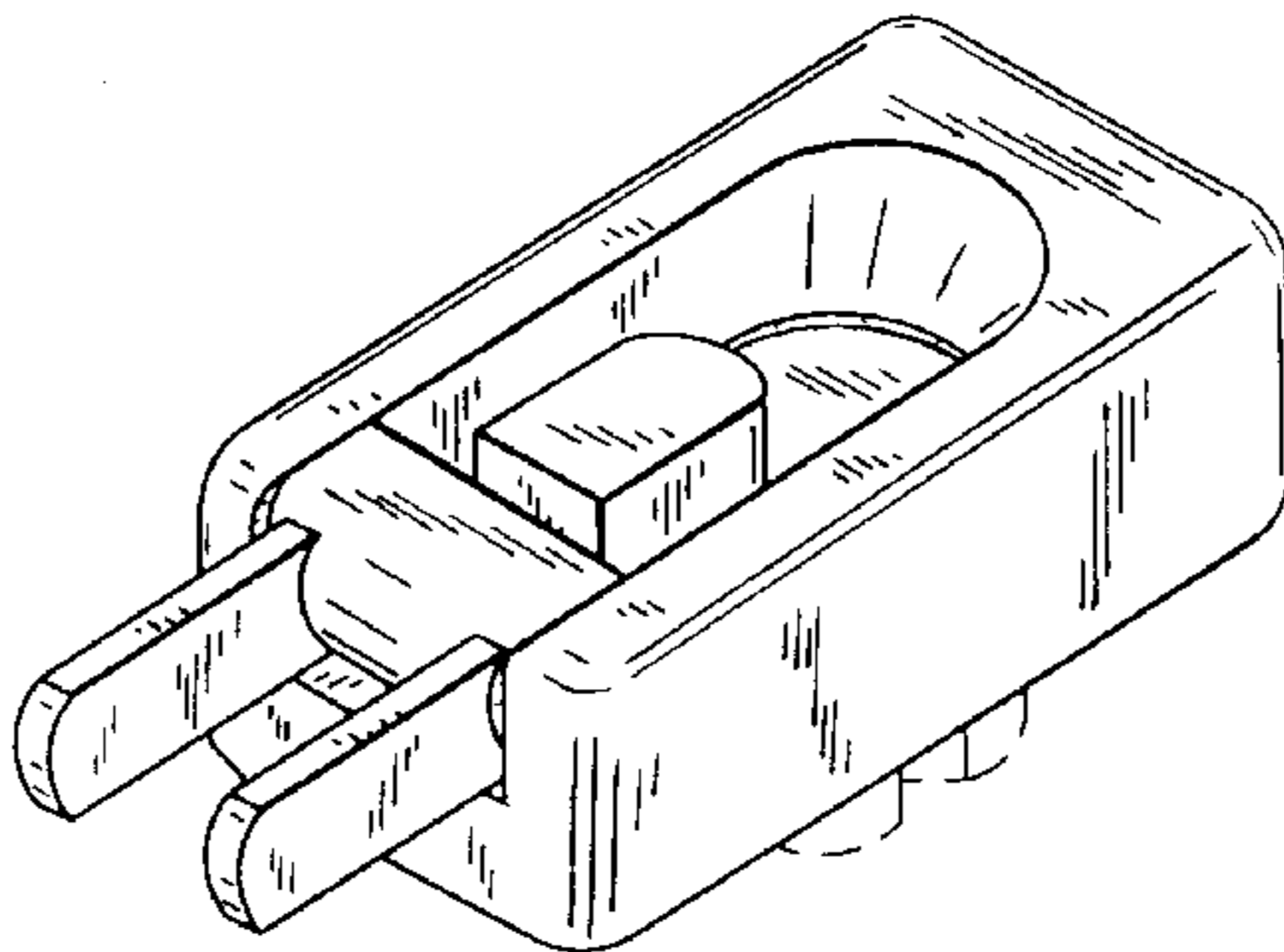


FIG. 1

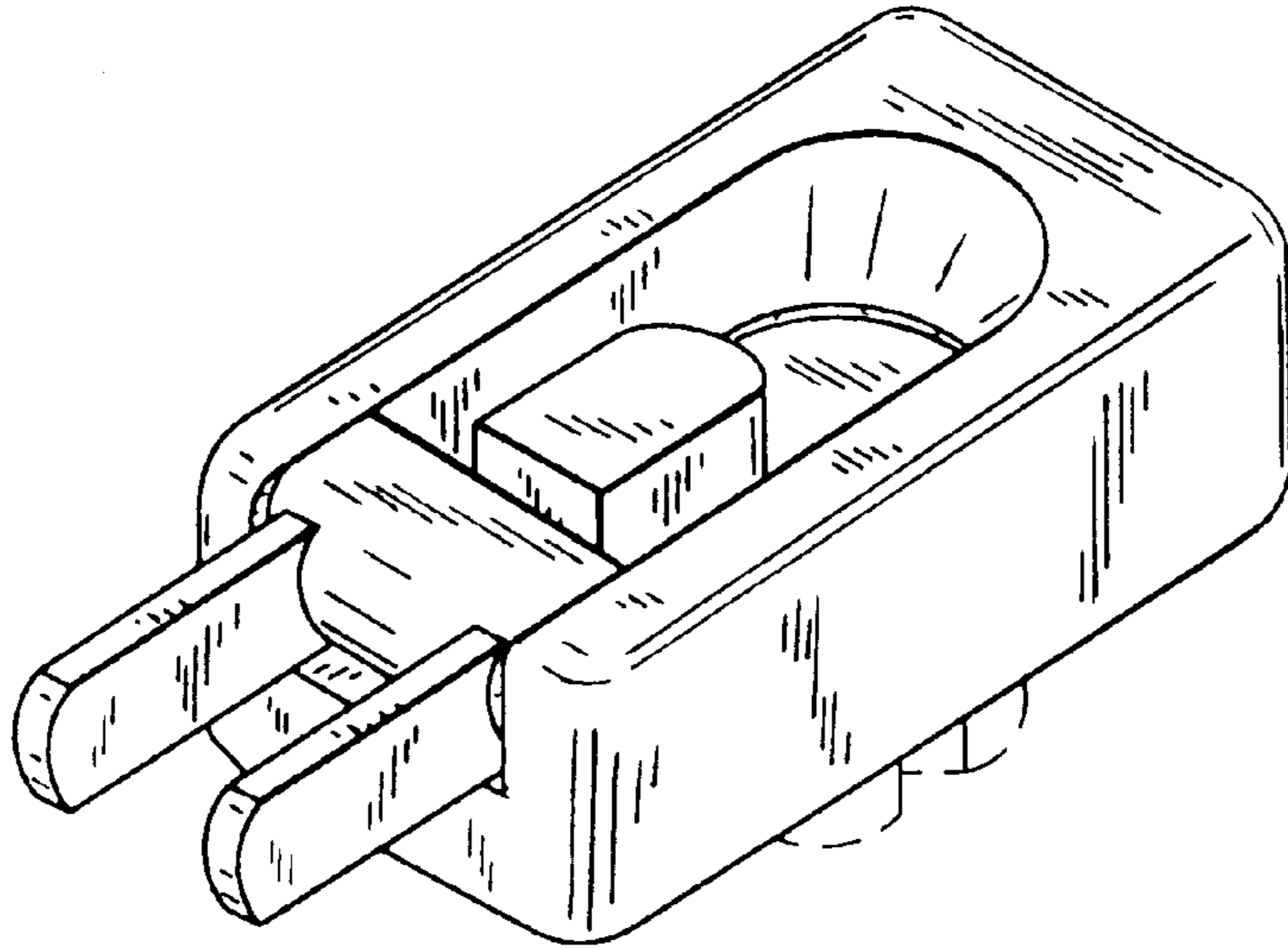


FIG. 8

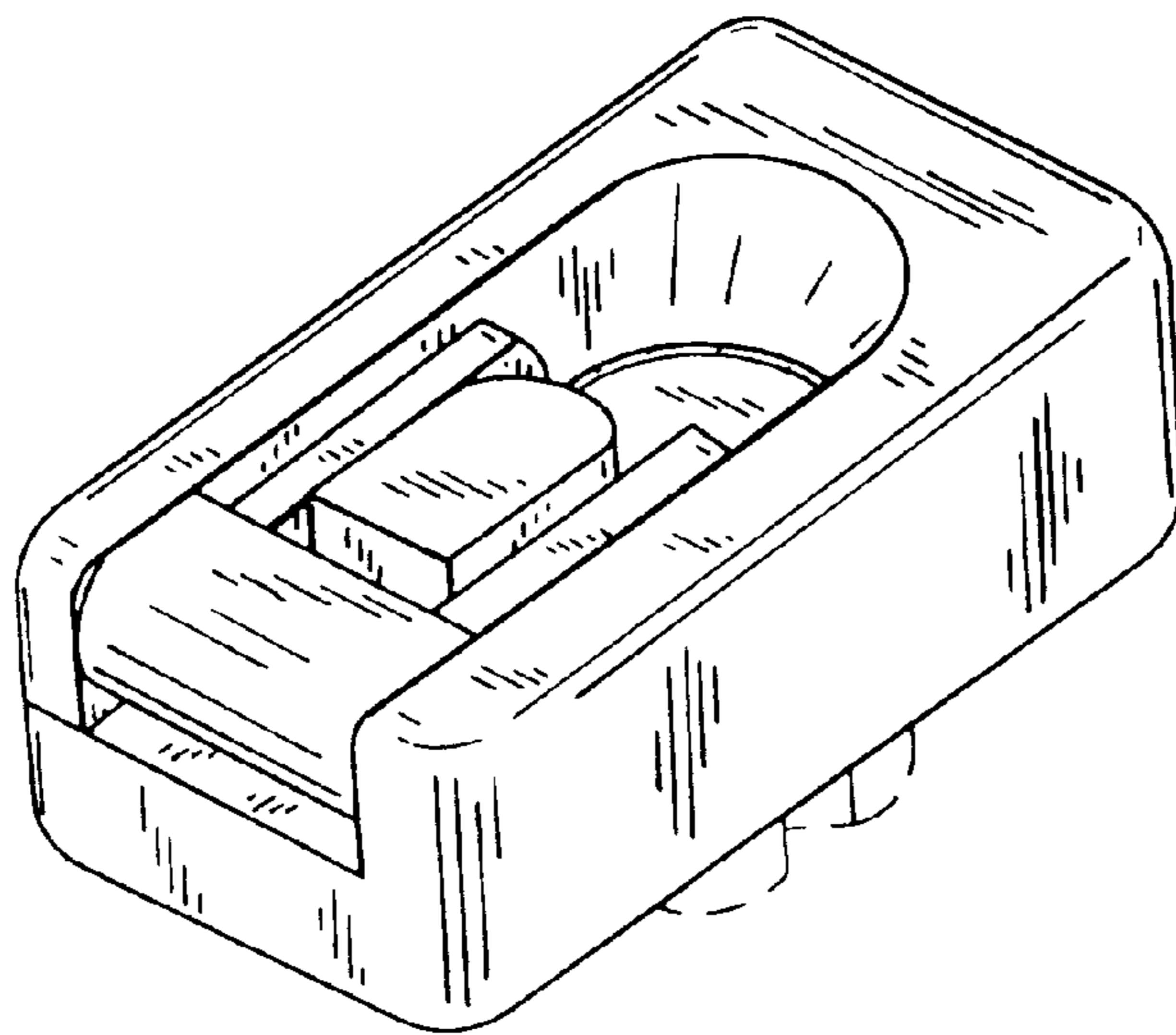


FIG. 2

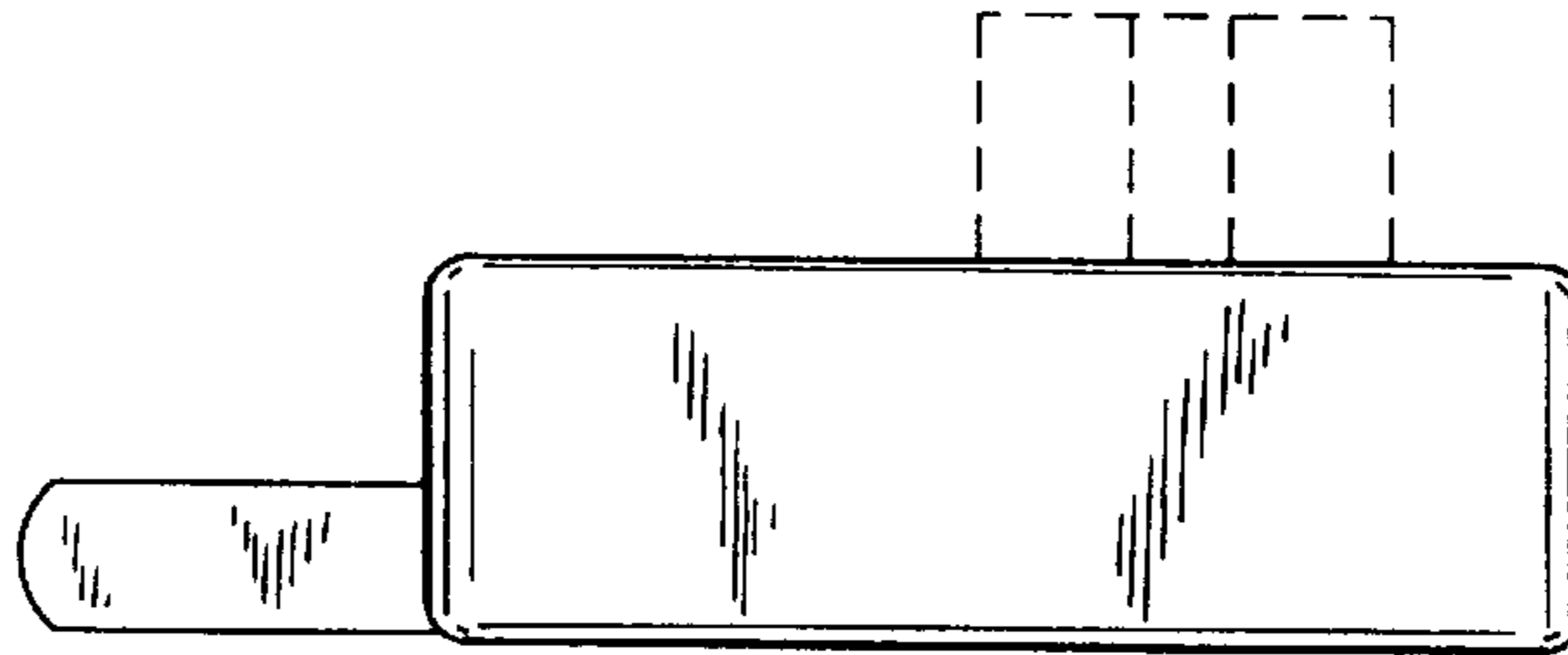


FIG. 3

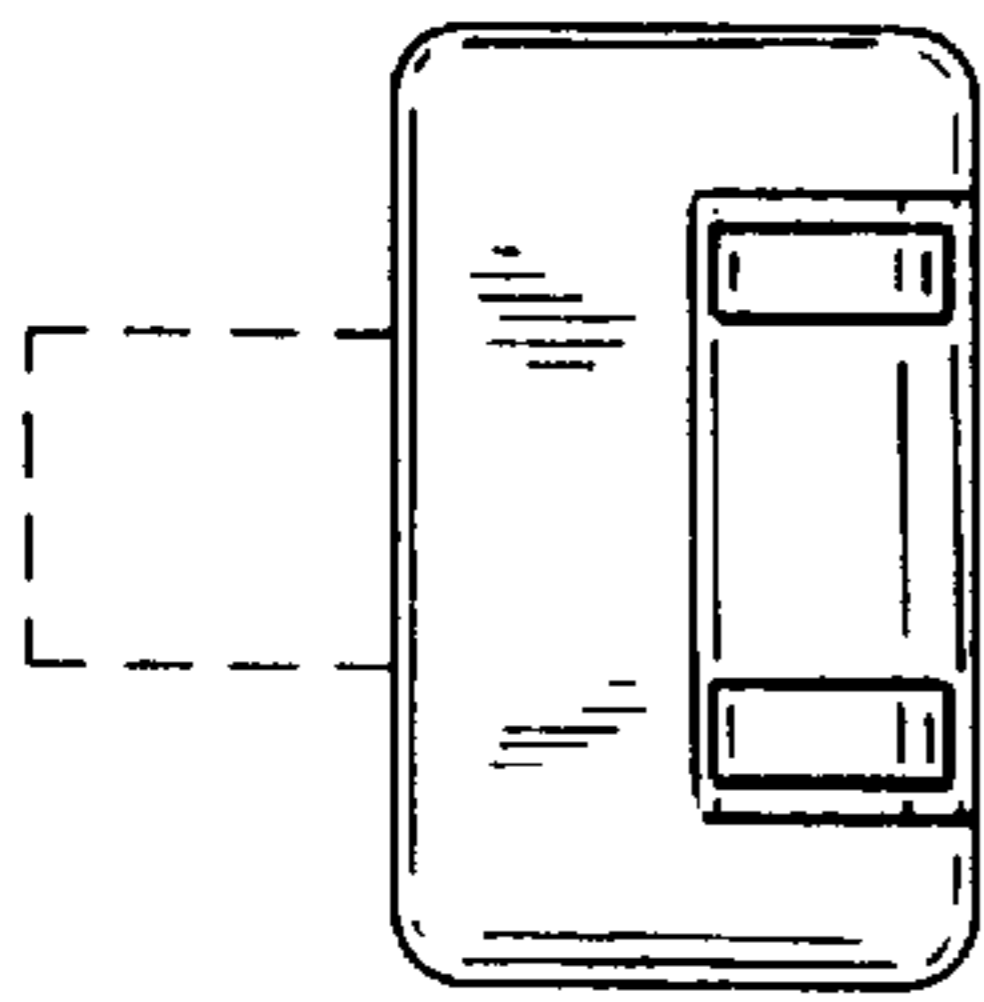


FIG. 4

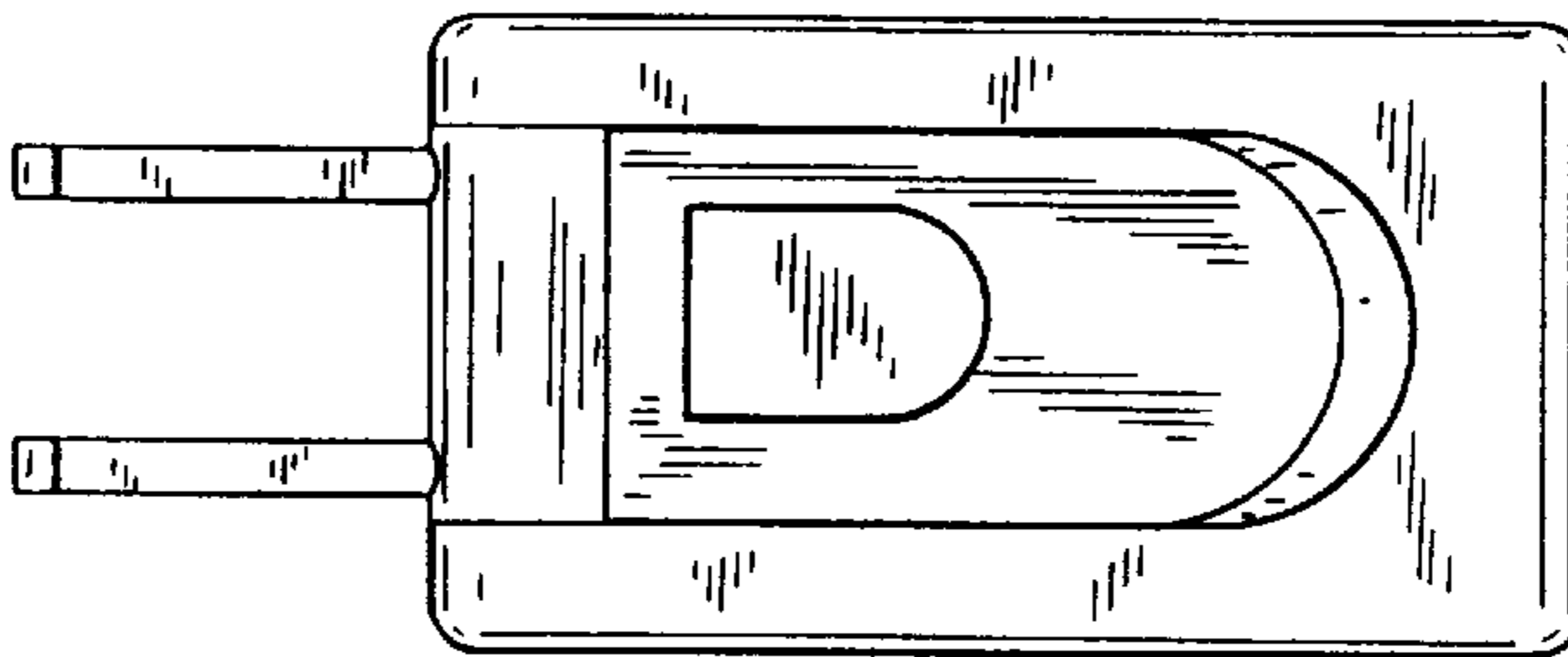


FIG. 5

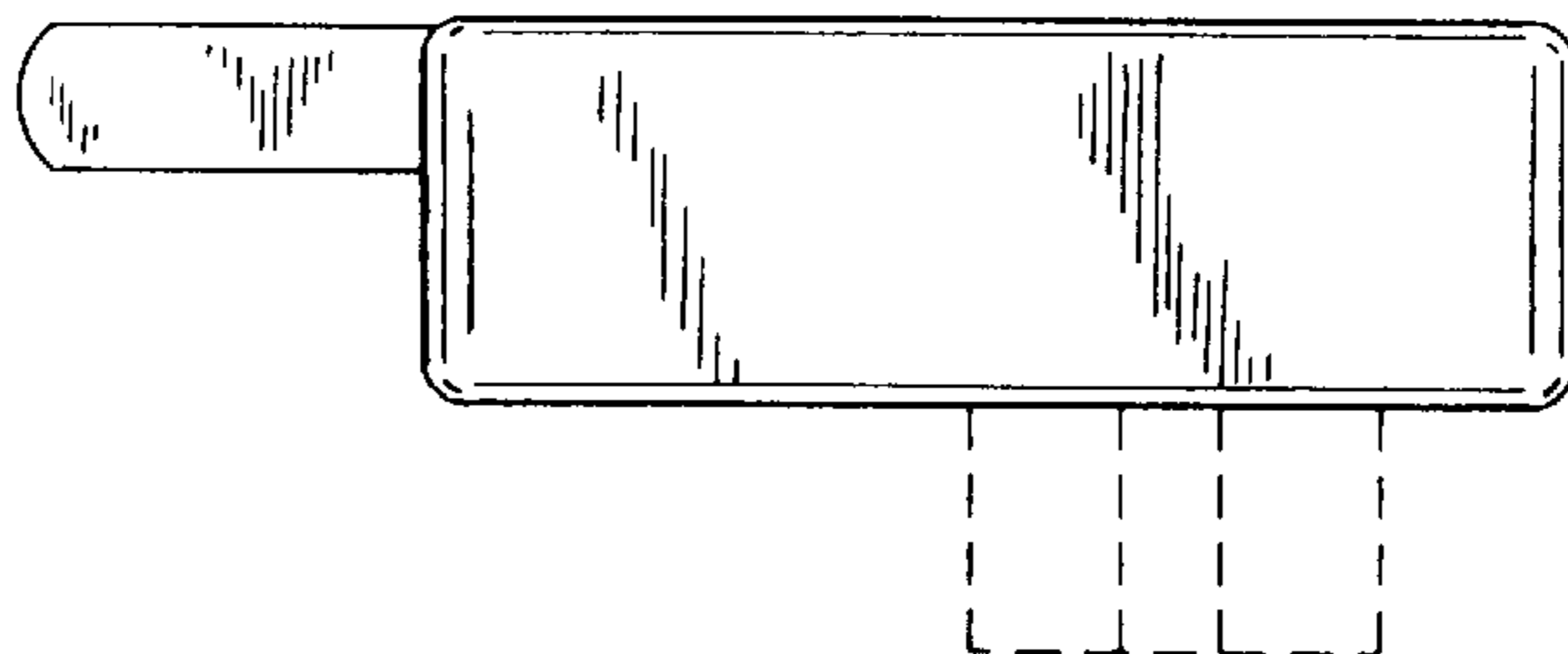


FIG. 6

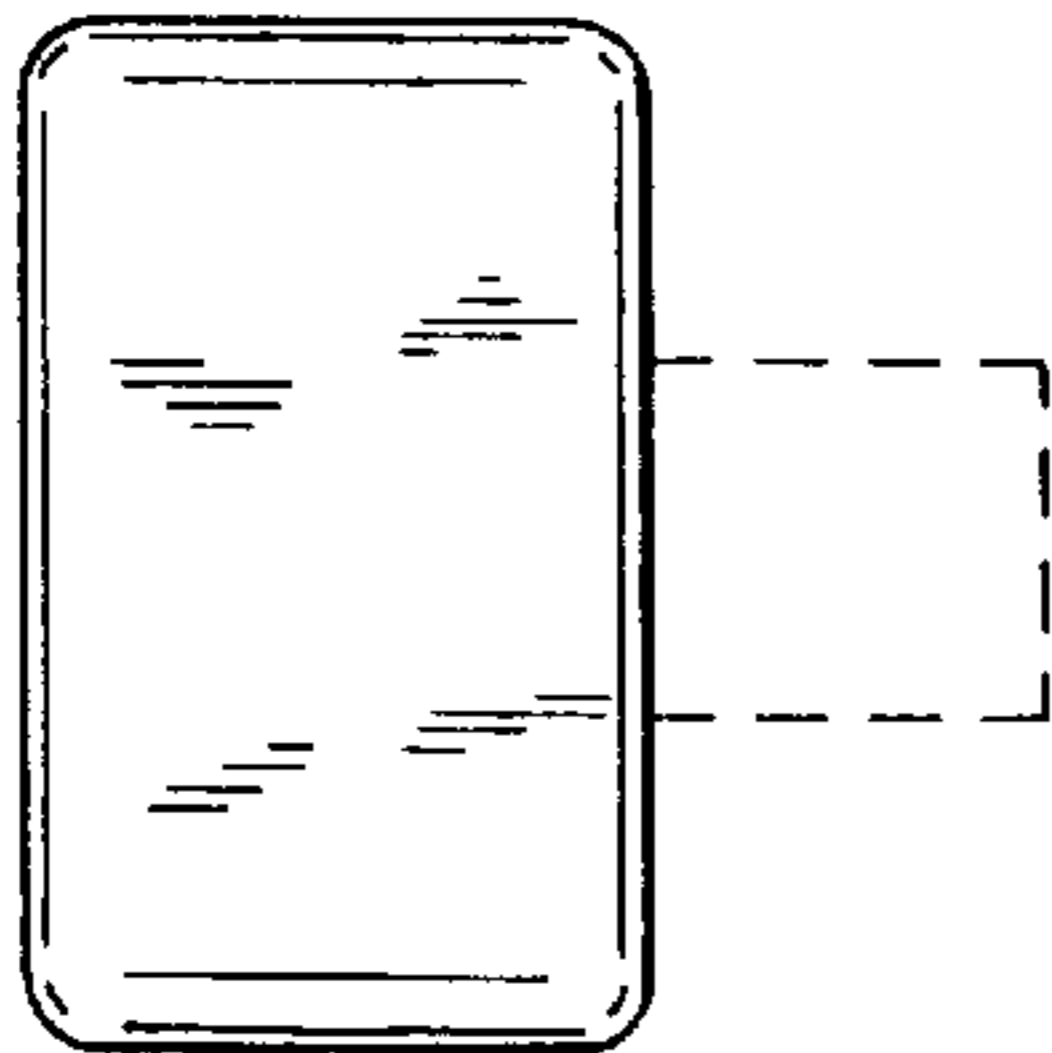


FIG. 7

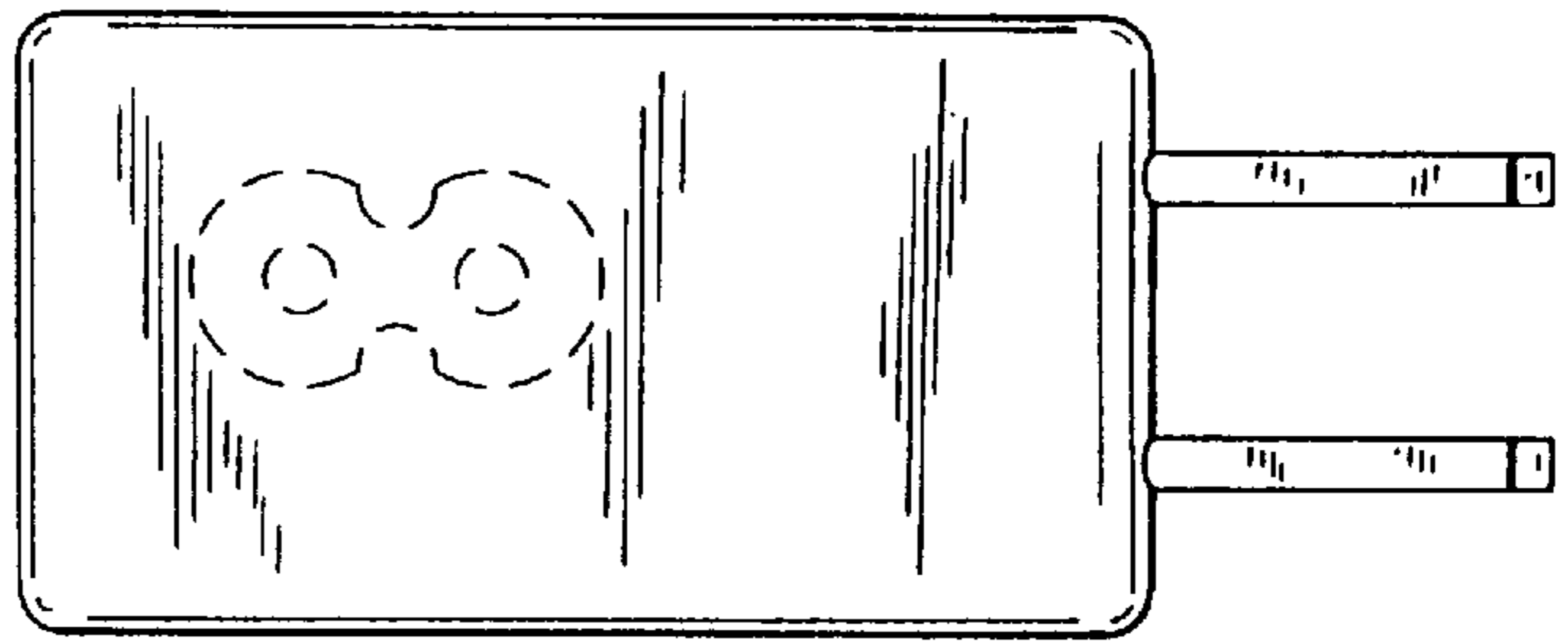


FIG. 9

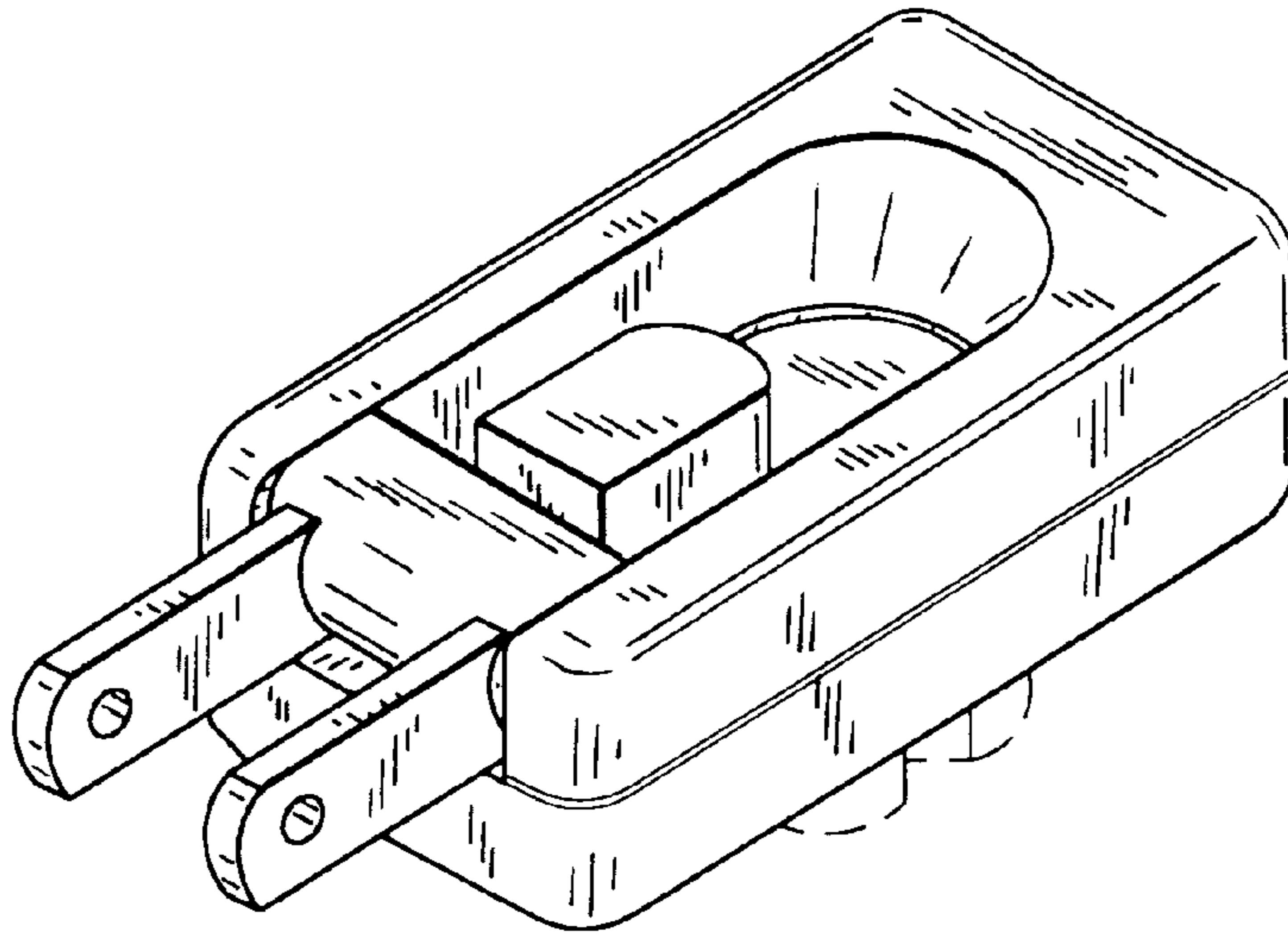


FIG. 16

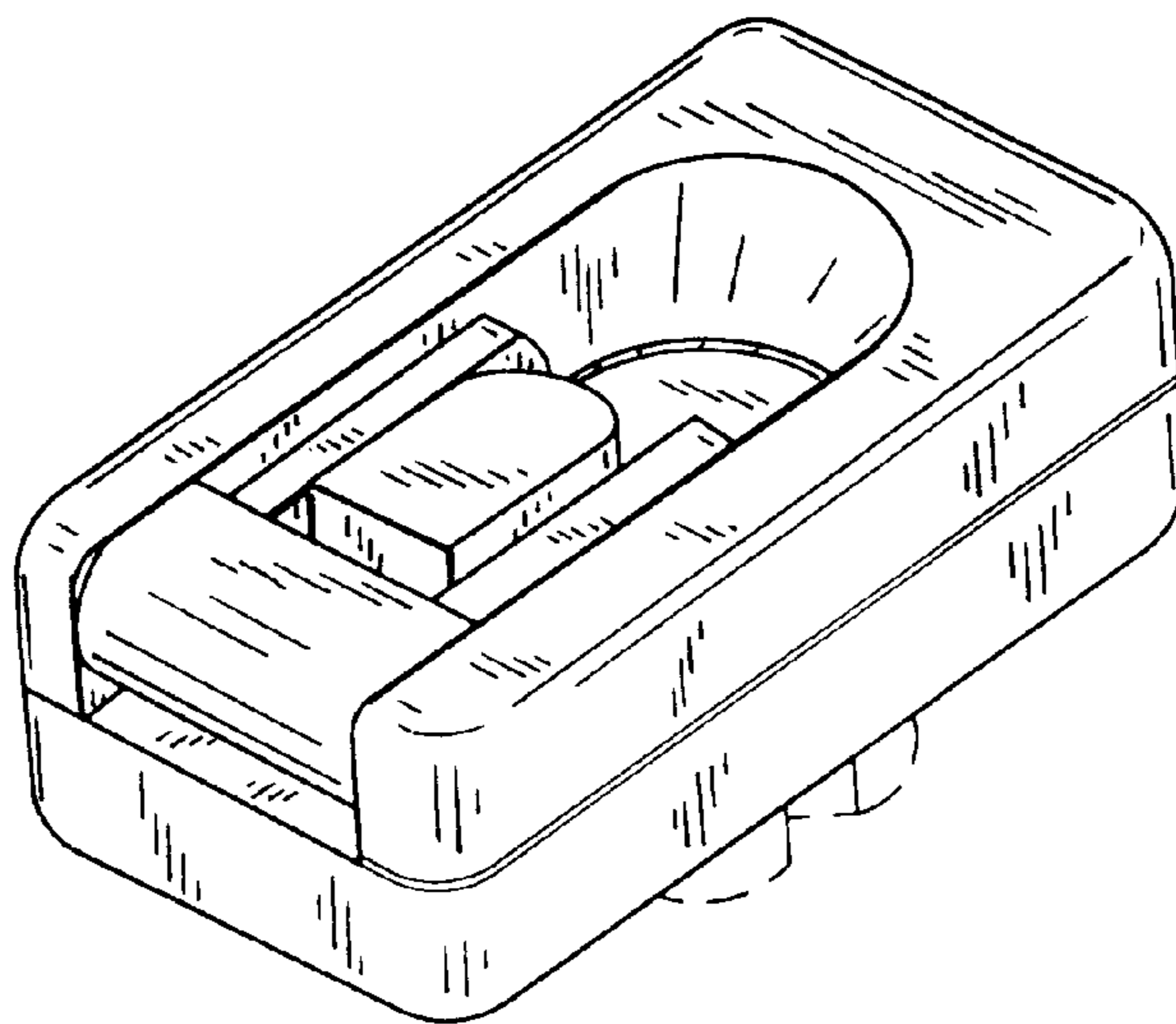


FIG. 10

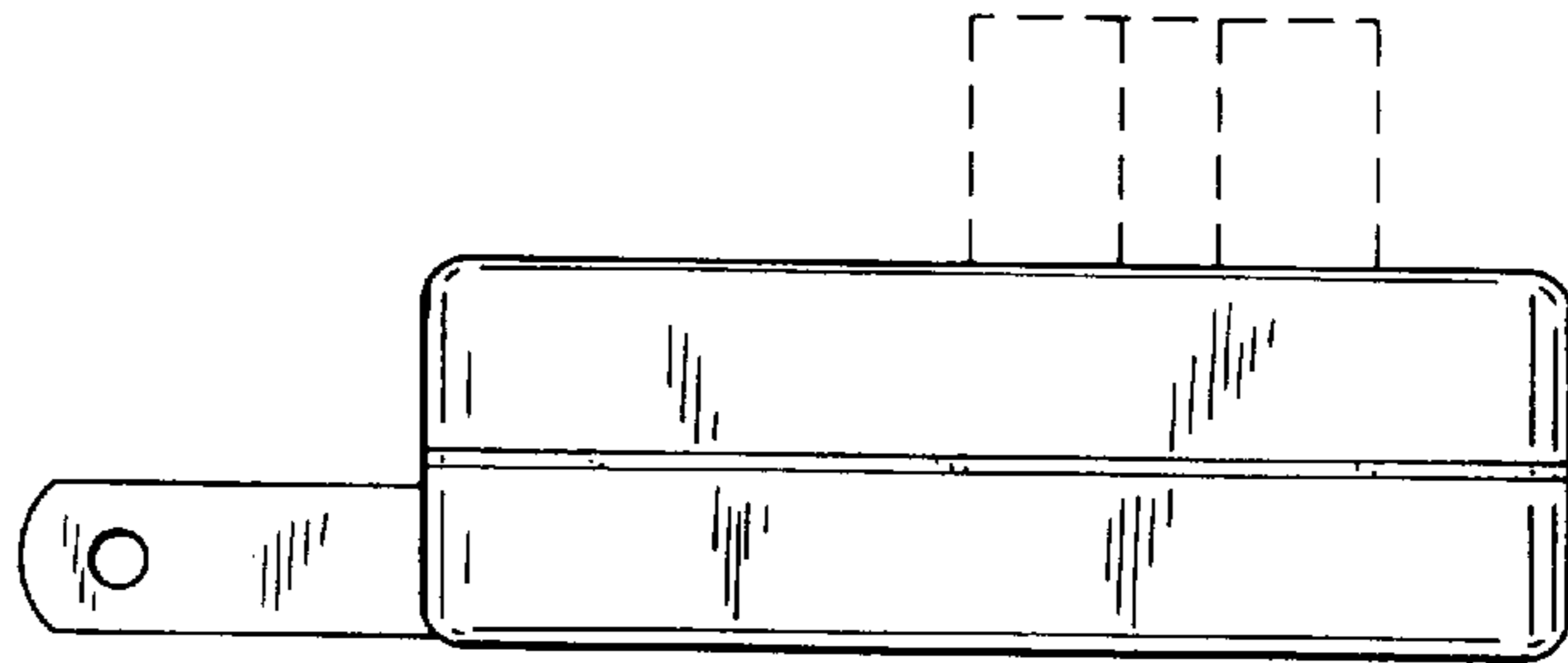


FIG. 11

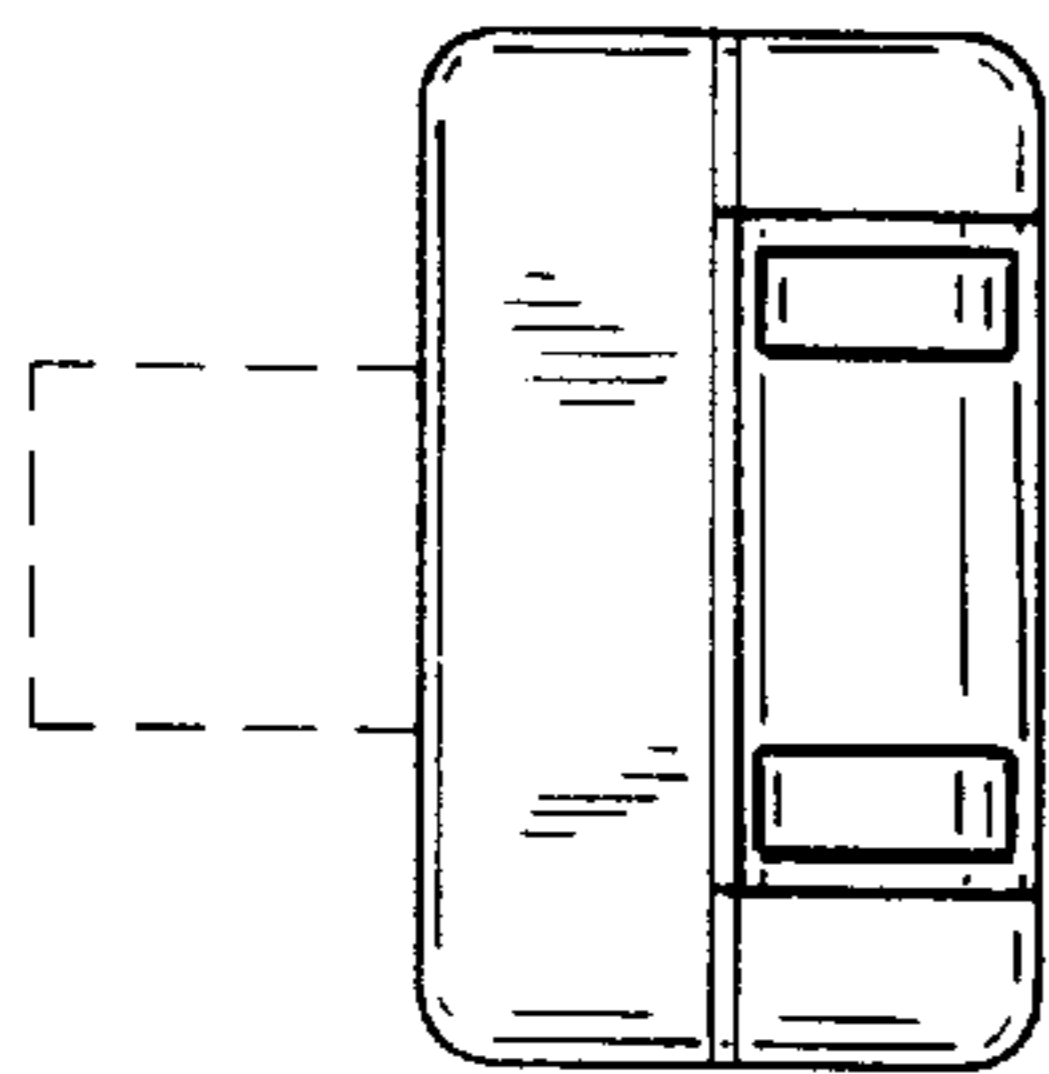


FIG. 12

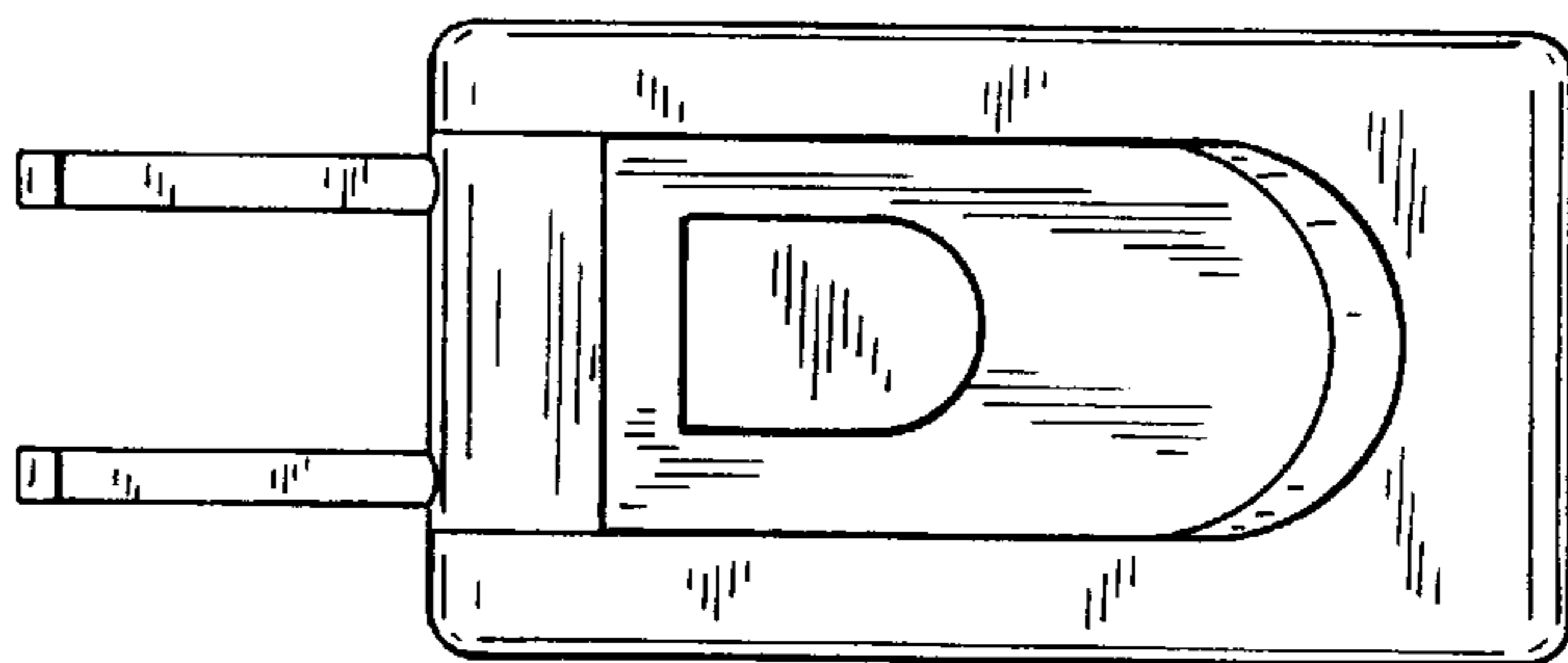


FIG. 13

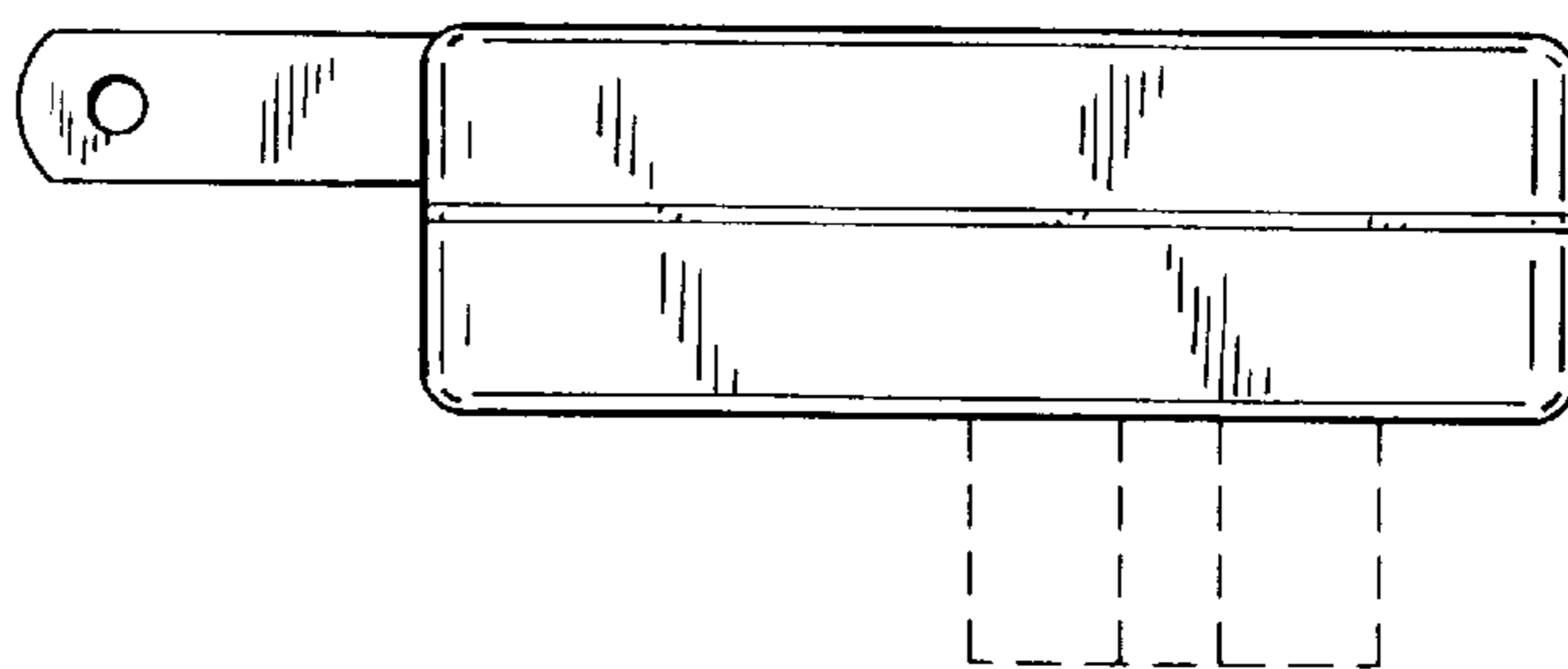


FIG. 14

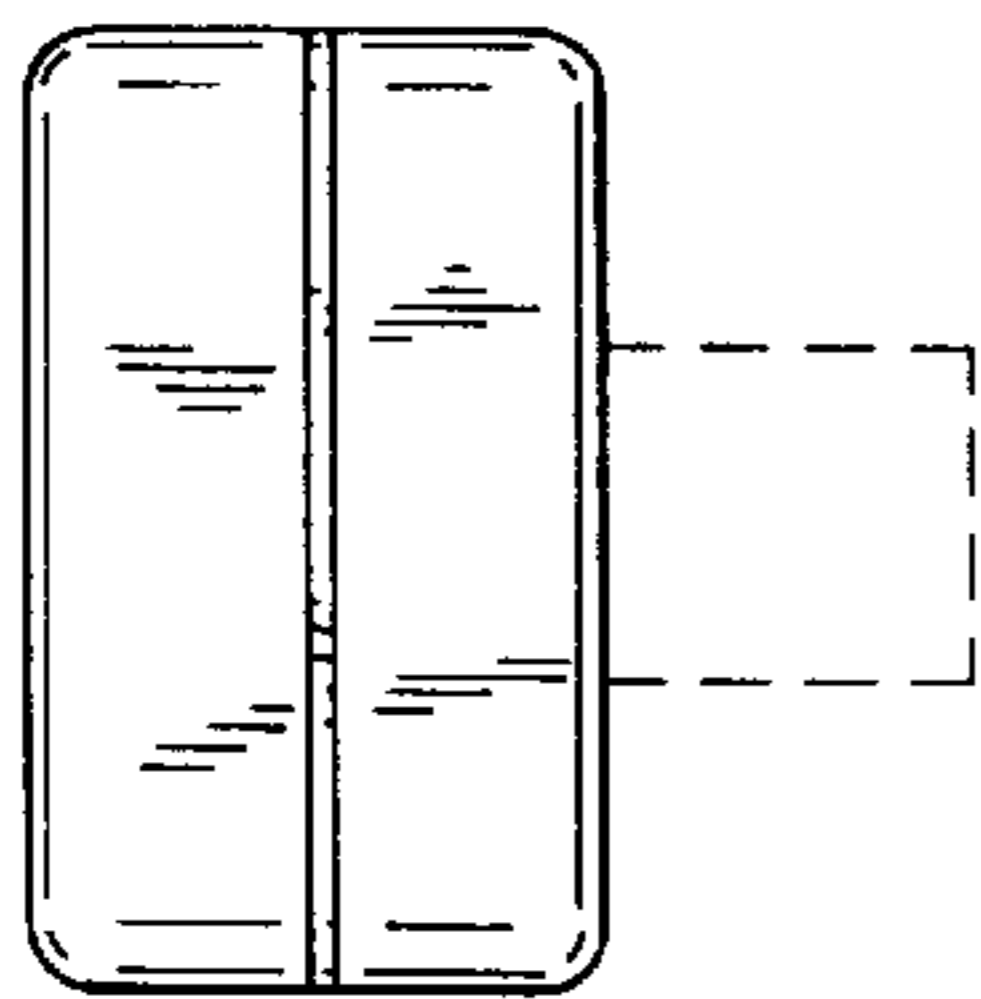


FIG. 15

