



US00D408784S

# United States Patent [19] Maeyama

[11] **Patent Number: Des. 408,784**

[45] **Date of Patent: \*\*Apr. 27, 1999**

[54] **ADAPTOR FOR VIDEO CAMERA**

5,805,069 9/1998 Mitsui et al. .... 320/112 X

[75] Inventor: **Koichi Maeyama**, Tokyo, Japan

### OTHER PUBLICATIONS

SONY, "Merchandise Guide—71", p. 7 (Jul. 1992).

[73] Assignee: **Sony Corporation**, Tokyo, Japan

*Primary Examiner*—Joel Sincavage  
*Attorney, Agent, or Firm*—Foley & Lardner

[\*\*] Term: **14 Years**

[21] Appl. No.: **29/076,859**

### [57] CLAIM

[22] Filed: **Sep. 11, 1997**

The ornamental design for an adaptor for a video camera, as shown and described.

[51] **LOC (6) Cl.** ..... **13-02**

### DESCRIPTION

[52] **U.S. Cl.** ..... **D13/110; D13/103; D16/237**

[58] **Field of Search** ..... **D13/103, 110; D16/219, 237; 429/96-100; 396/301; 320/112**

FIG. 1 is a perspective view of a first embodiment of an adaptor for a video camera showing my new design; FIG. 2 is a top plan view thereof; FIG. 3 is a left side elevational view thereof; FIG. 4 is a front elevational view thereof; FIG. 5 is a bottom plan view thereof; FIG. 6 is a right side elevational view thereof; FIG. 7 is a rear elevational view thereof; and, FIG. 8 is a reference perspective view thereof, the cord portion in broken lines is for illustrative purpose only and forms no part of claimed design.

### [56] References Cited

#### U.S. PATENT DOCUMENTS

4,792,762	12/1988	Shina et al. ....	396/279	X
5,132,800	7/1992	Wada et al. ....	396/301	X
5,151,727	9/1992	Sasaki ....	396/301	X
5,189,520	2/1993	Okayasu et al. ....	396/301	X
5,415,947	5/1995	Mitsui et al. ....	429/99	X
5,465,117	11/1995	Ide et al. ....	348/373	
5,630,193	5/1997	Miyake et al. ....	396/301	X
5,652,499	7/1997	Morita et al. ....	320/112	X

**1 Claim, 4 Drawing Sheets**

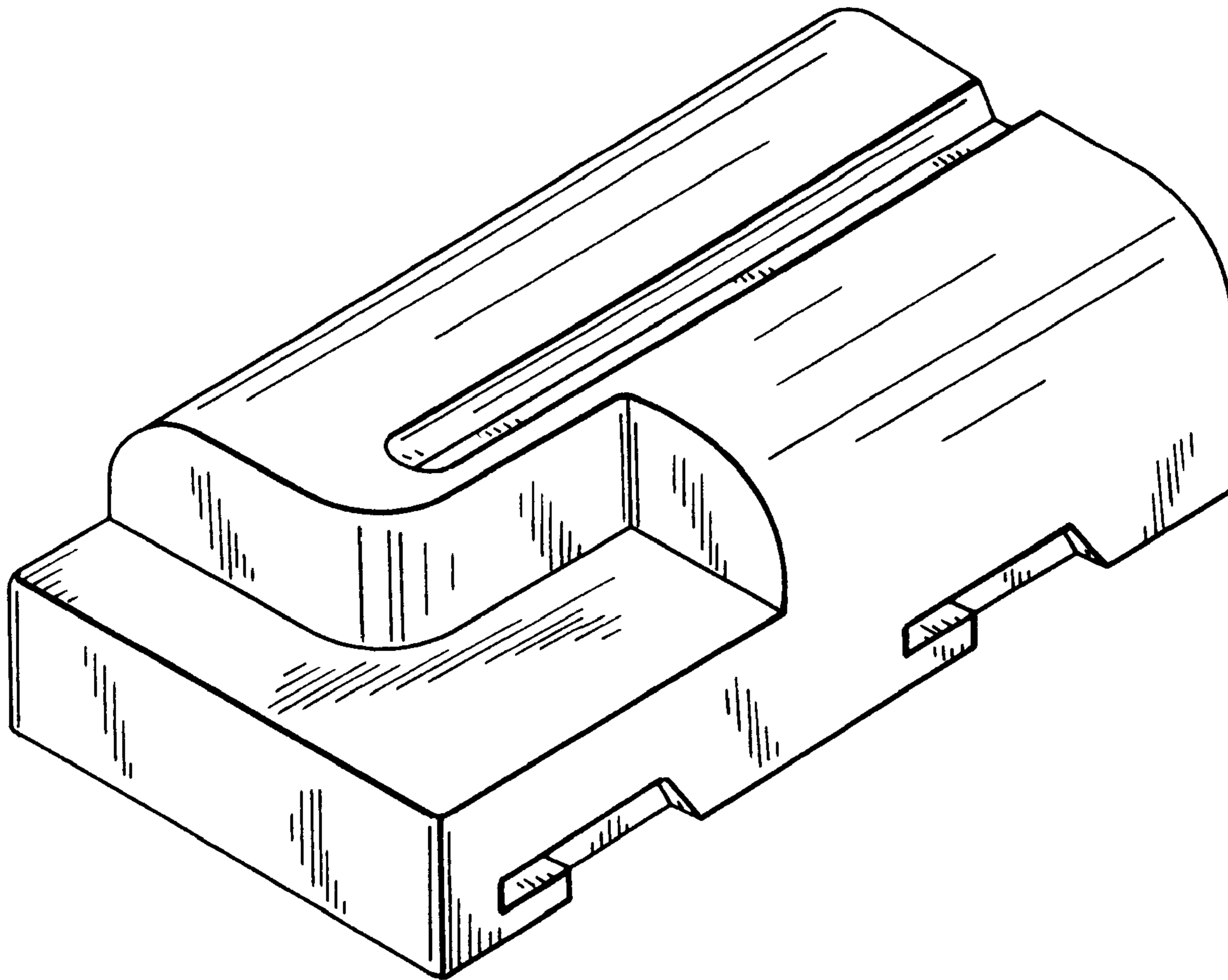


FIG. 1

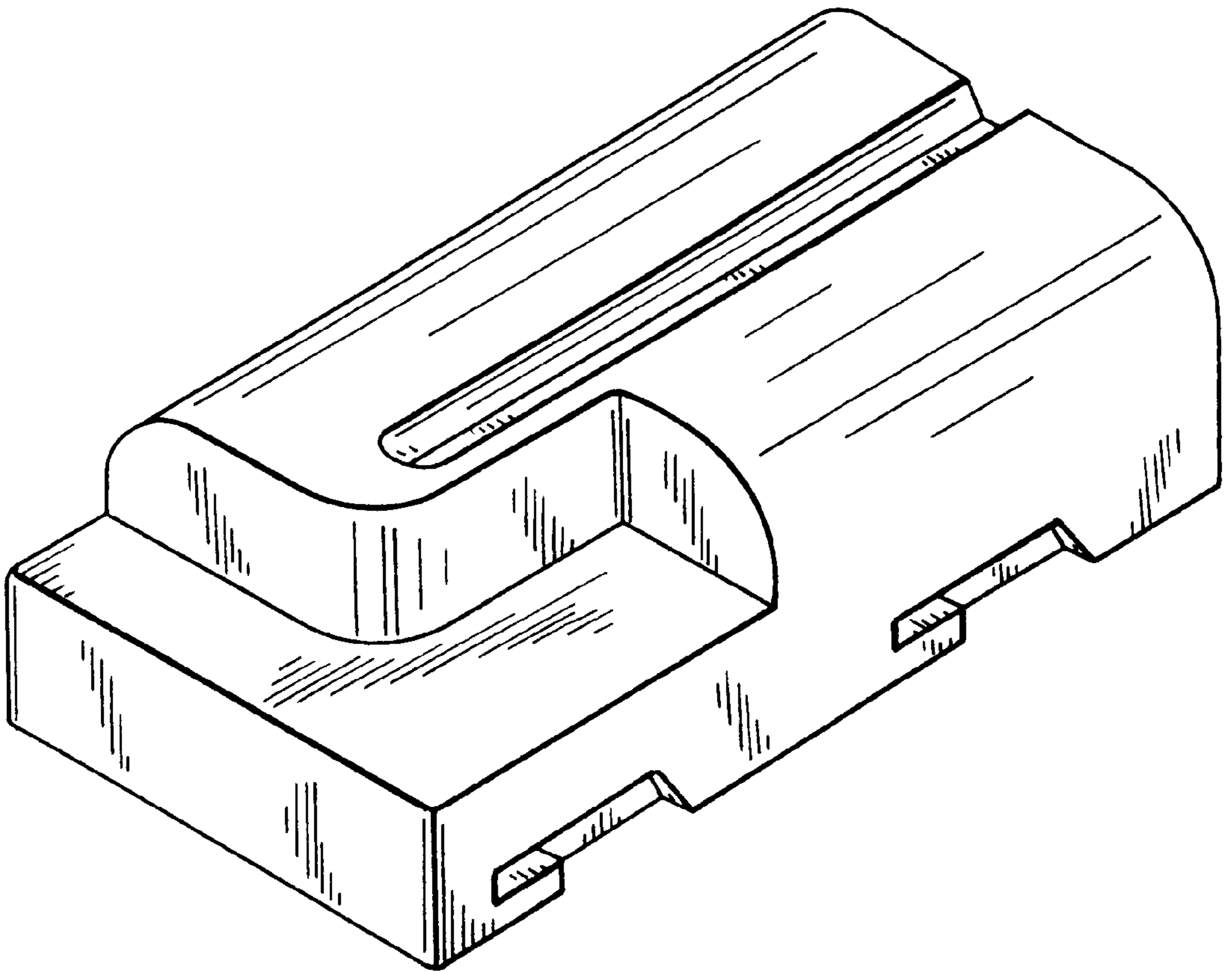


FIG. 2

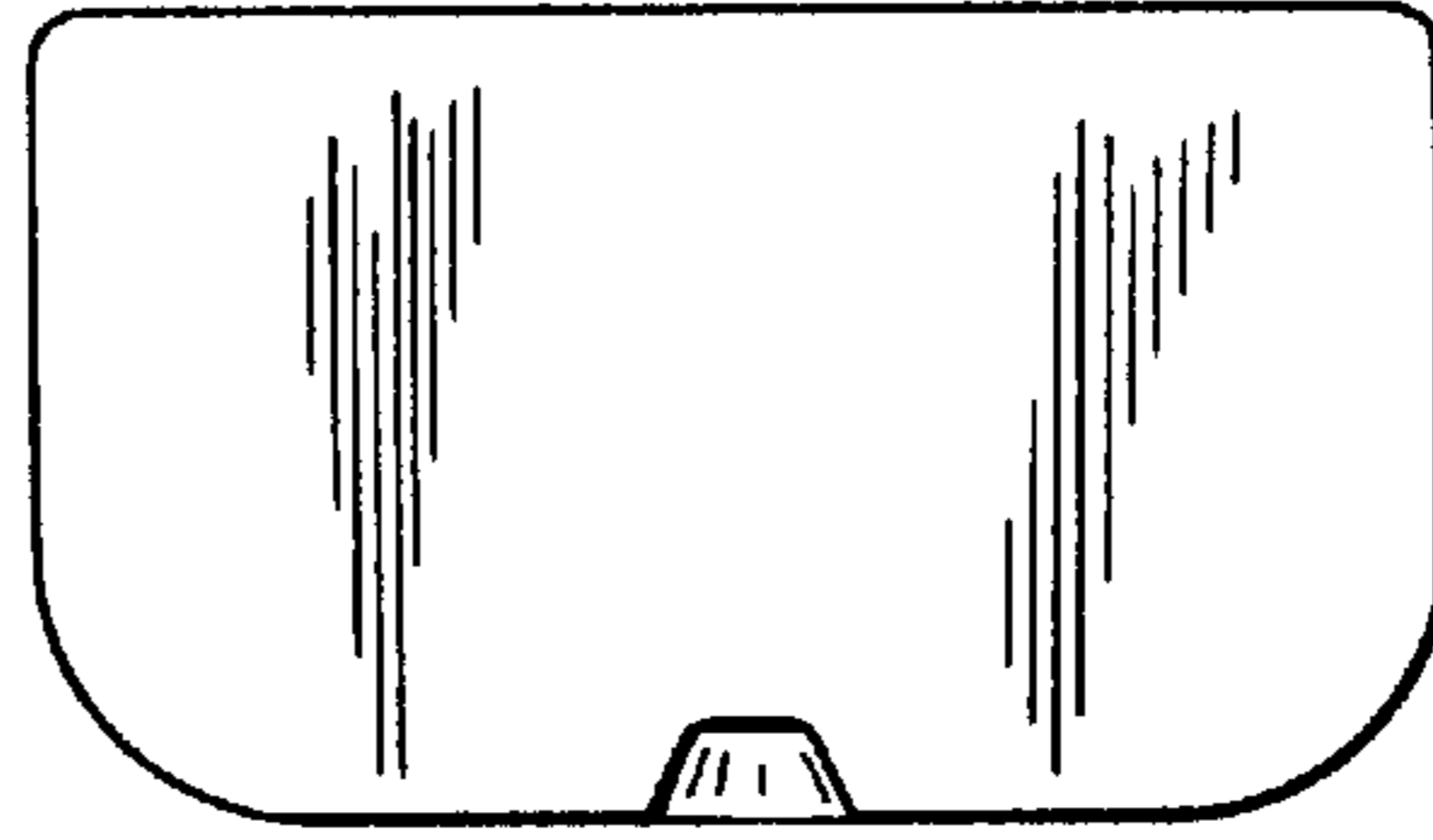


FIG. 3

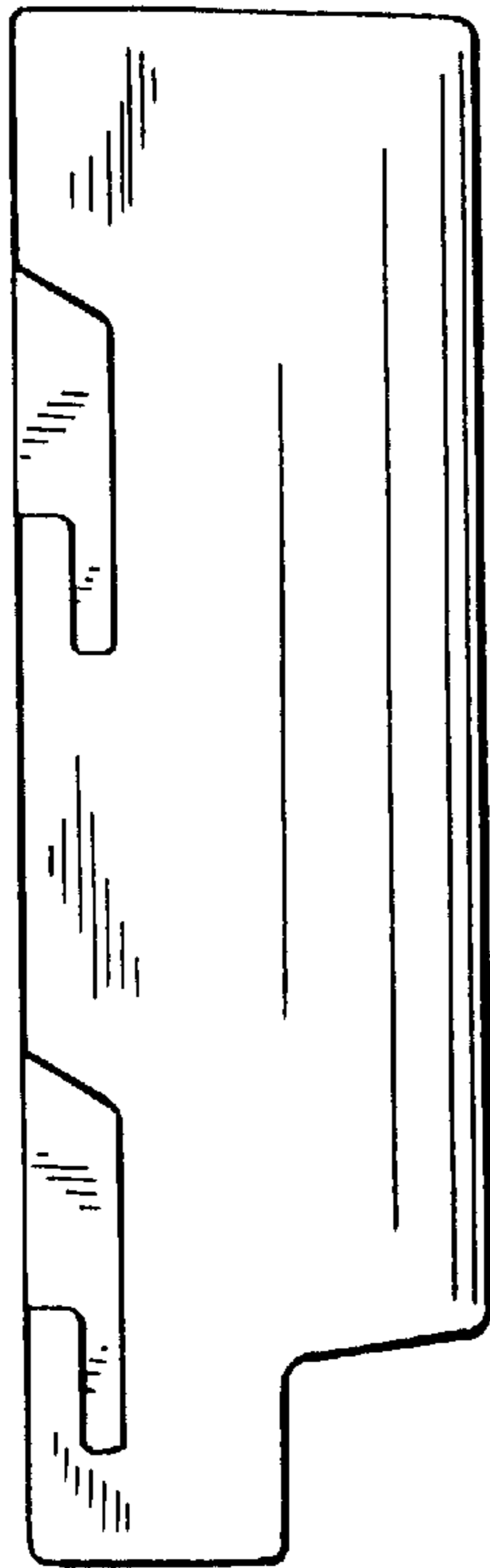


FIG. 4

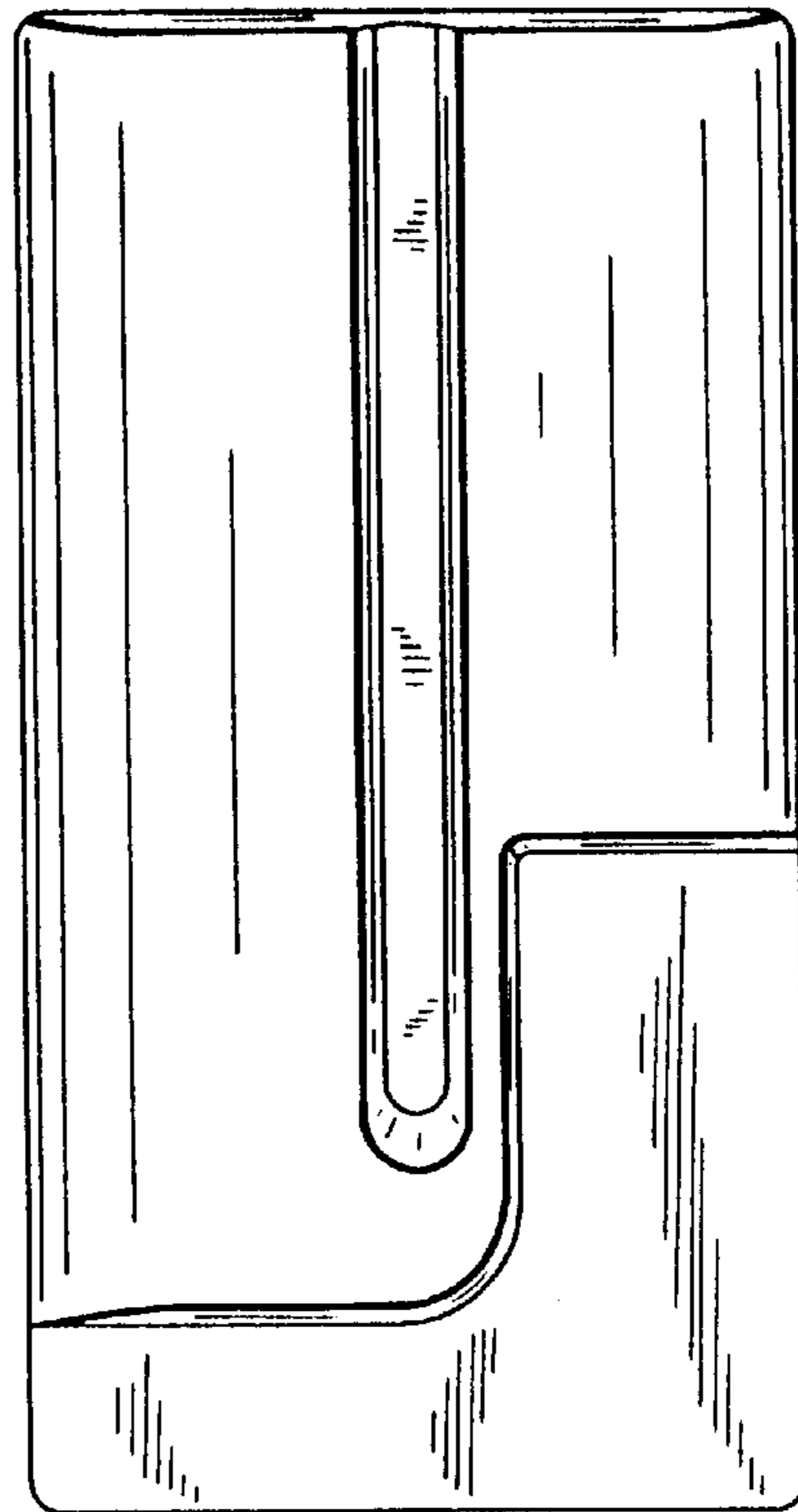


FIG. 5

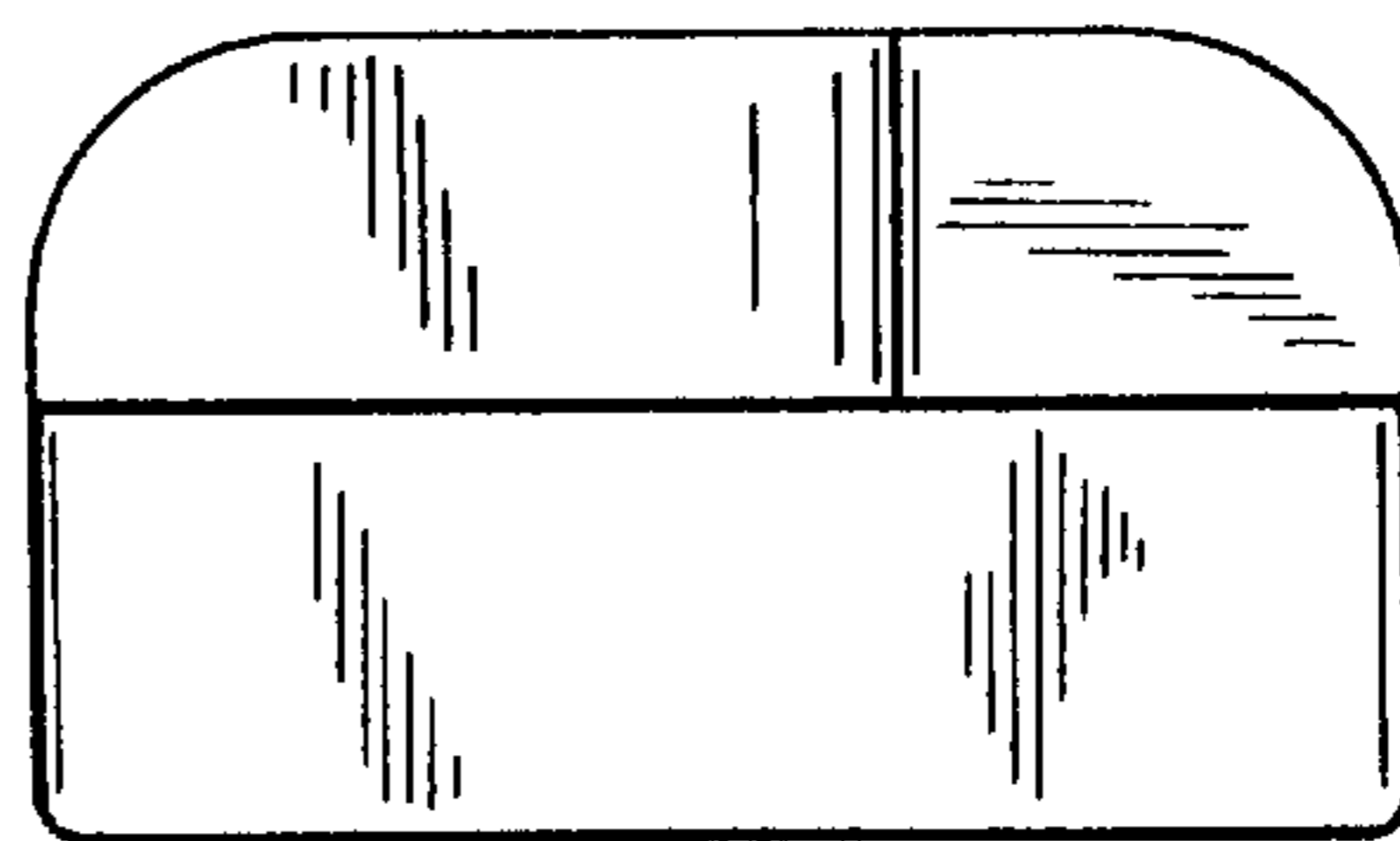


FIG. 6

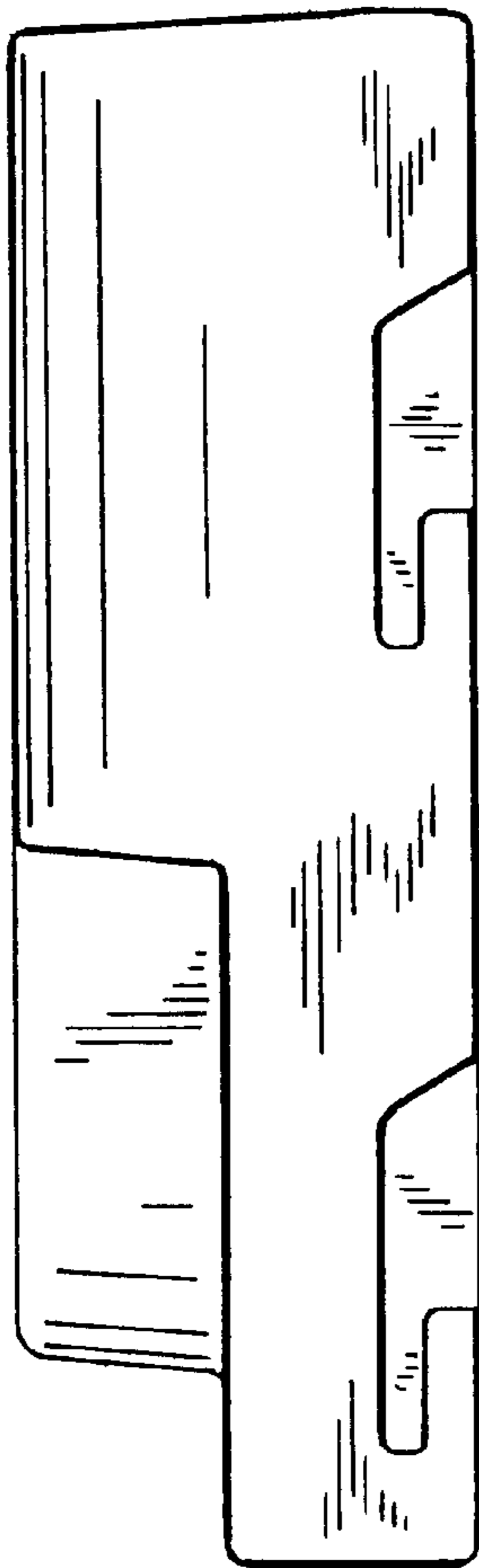


FIG. 7

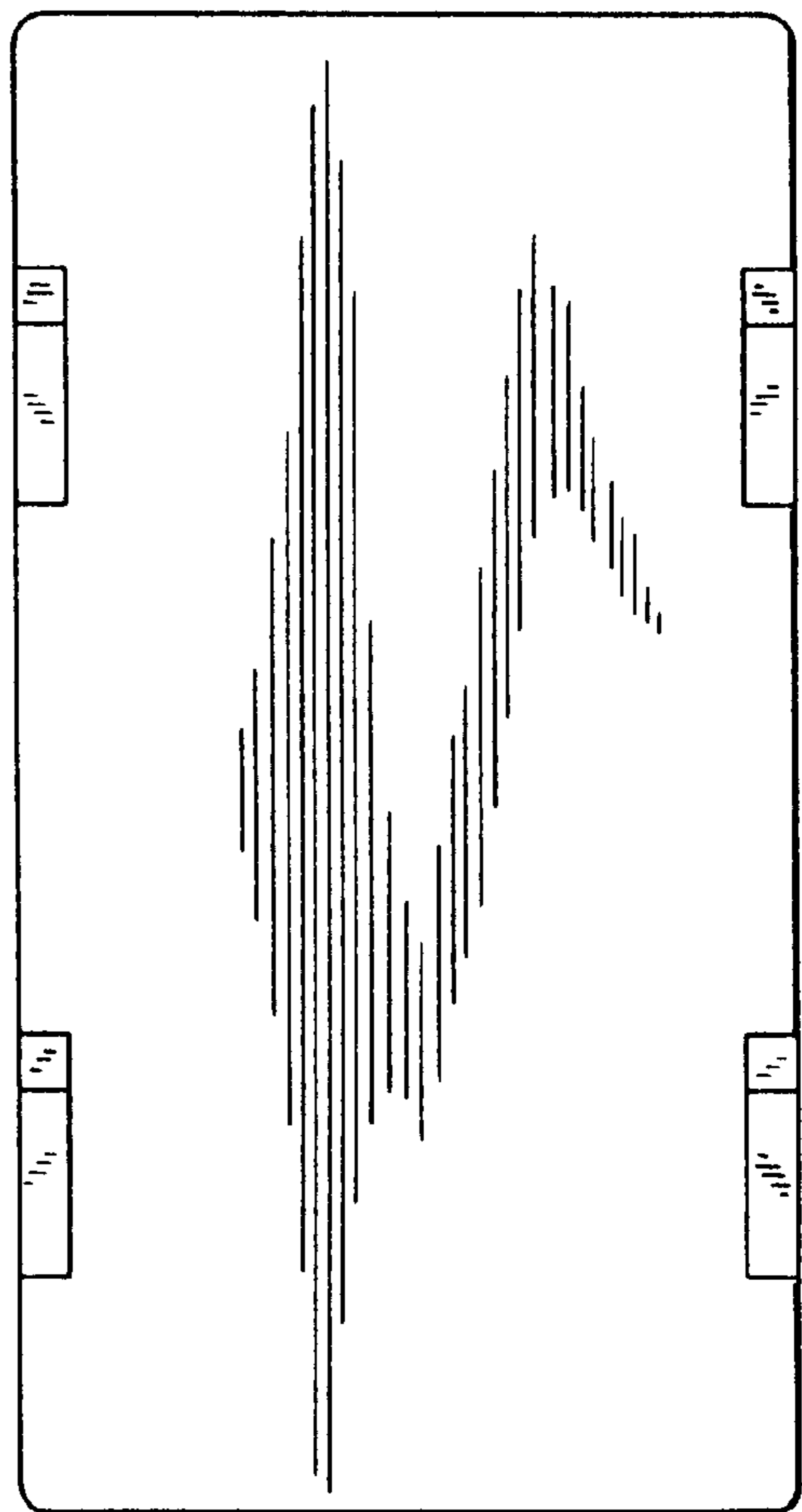


FIG. 8

