



US00D408778S

United States Patent [19] Neeper

[11] Patent Number: **Des. 408,778**

[45] Date of Patent: ****Apr. 27, 1999**

[54] **VEHICLE-WHEEL FRONT FACE**

[75] Inventor: **Mark D. Neeper**, Denver, Colo.

[73] Assignee: **Mobile Hi-Tech Wheels**, Torrance, Calif.

[**] Term: **14 Years**

[21] Appl. No.: **29/095,895**

[22] Filed: **Oct. 30, 1998**

[51] **LOC (6) Cl.** **12-16**

[52] **U.S. Cl.** **D12/211**

[58] **Field of Search** D12/204-213;
301/64.1, 65, 37.1

D. 259,484	6/1981	Welburn	D12/209
D. 342,714	12/1993	Nikawa	D12/211
D. 391,913	3/1998	Chung	D12/209
D. 396,839	8/1998	Cullen	D12/211
D. 402,252	12/1998	Kulla	D12/211
3,726,672	4/1973	Lindberg et al.	301/64.1

Primary Examiner—Doris V. Coles
Assistant Examiner—Stacia Sinuik
Attorney, Agent, or Firm—Christie, Parker & Hale, LLP

[57] CLAIM

The ornamental design for a vehicle-wheel front face, as shown and described.

DESCRIPTION

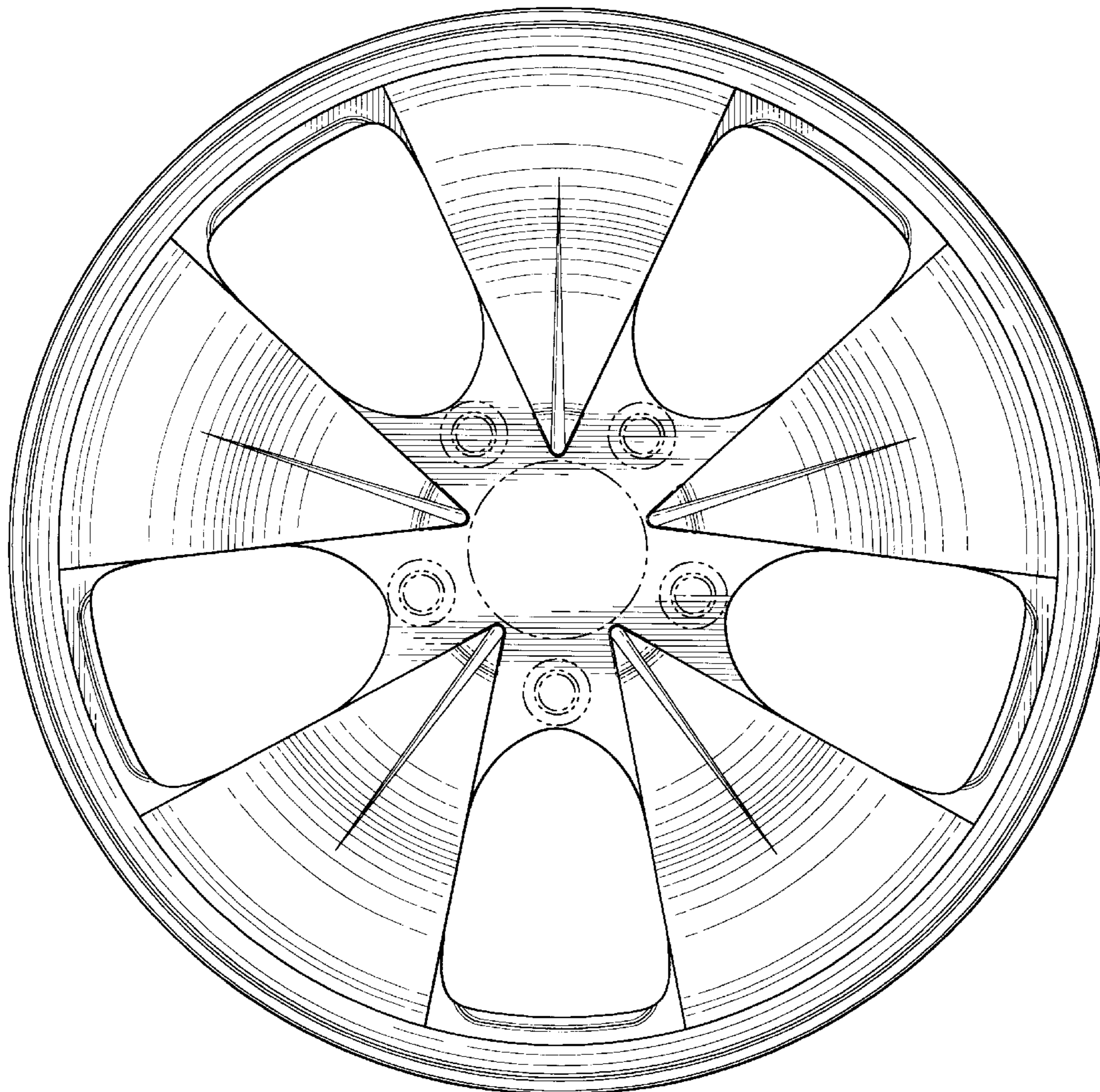
FIG. 1 is a perspective view of a vehicle-wheel front face according to my new design; FIG. 2 is a front elevational view thereof; and, FIG. 3 is a side elevational view thereof. Portions of the wheel depicted in broken line are for illustrative purposes only, and form no part of the claimed design.

[56] References Cited

U.S. PATENT DOCUMENTS

D. 204,933	5/1966	Richter	D12/211
D. 218,965	10/1970	Kreizel	D12/211
D. 222,348	10/1971	Harty, Jr.	D12/211
D. 234,590	3/1975	Davis	D12/211
D. 244,273	5/1977	Reppert	D12/211

1 Claim, 3 Drawing Sheets



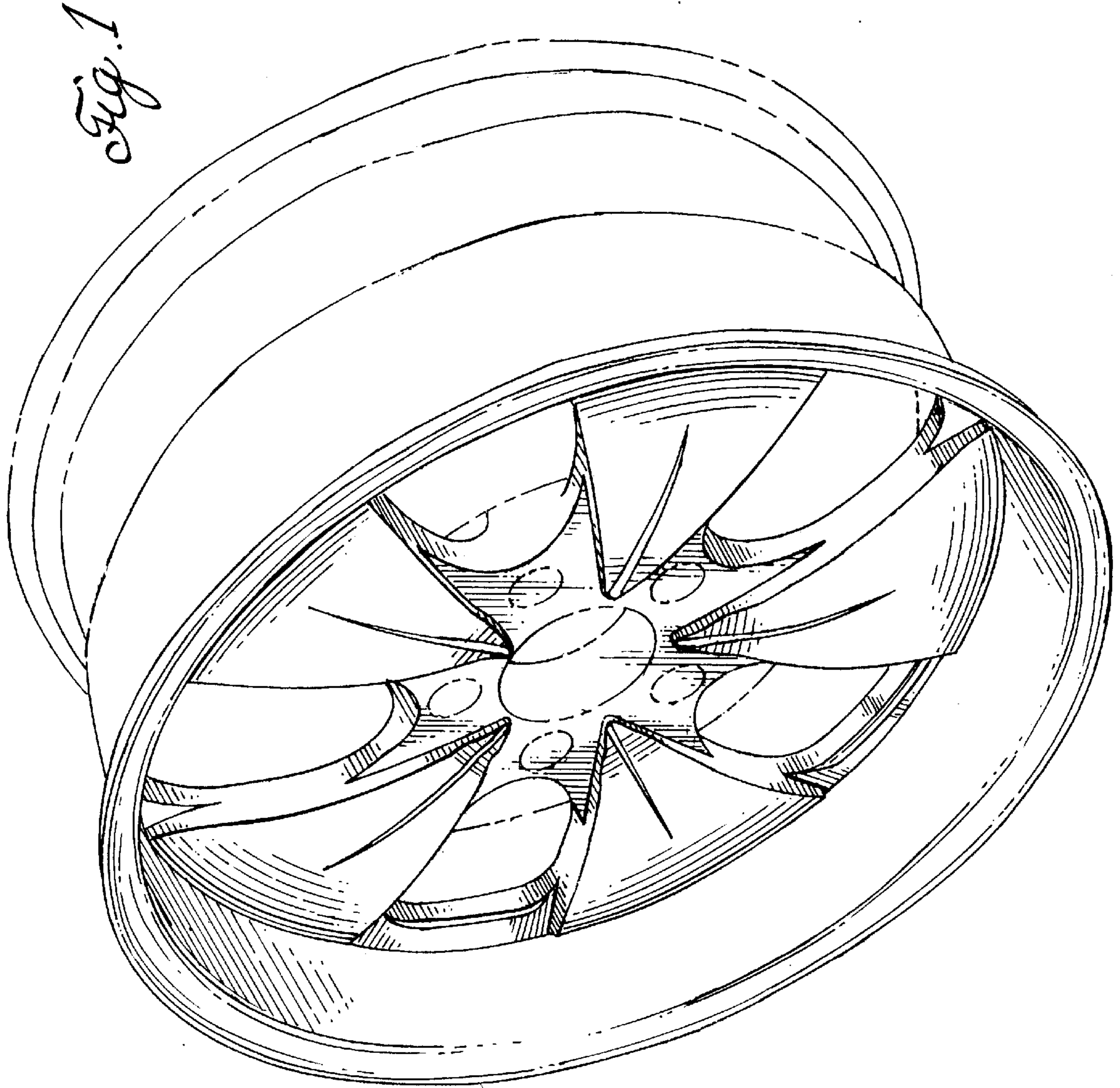


FIG. 2

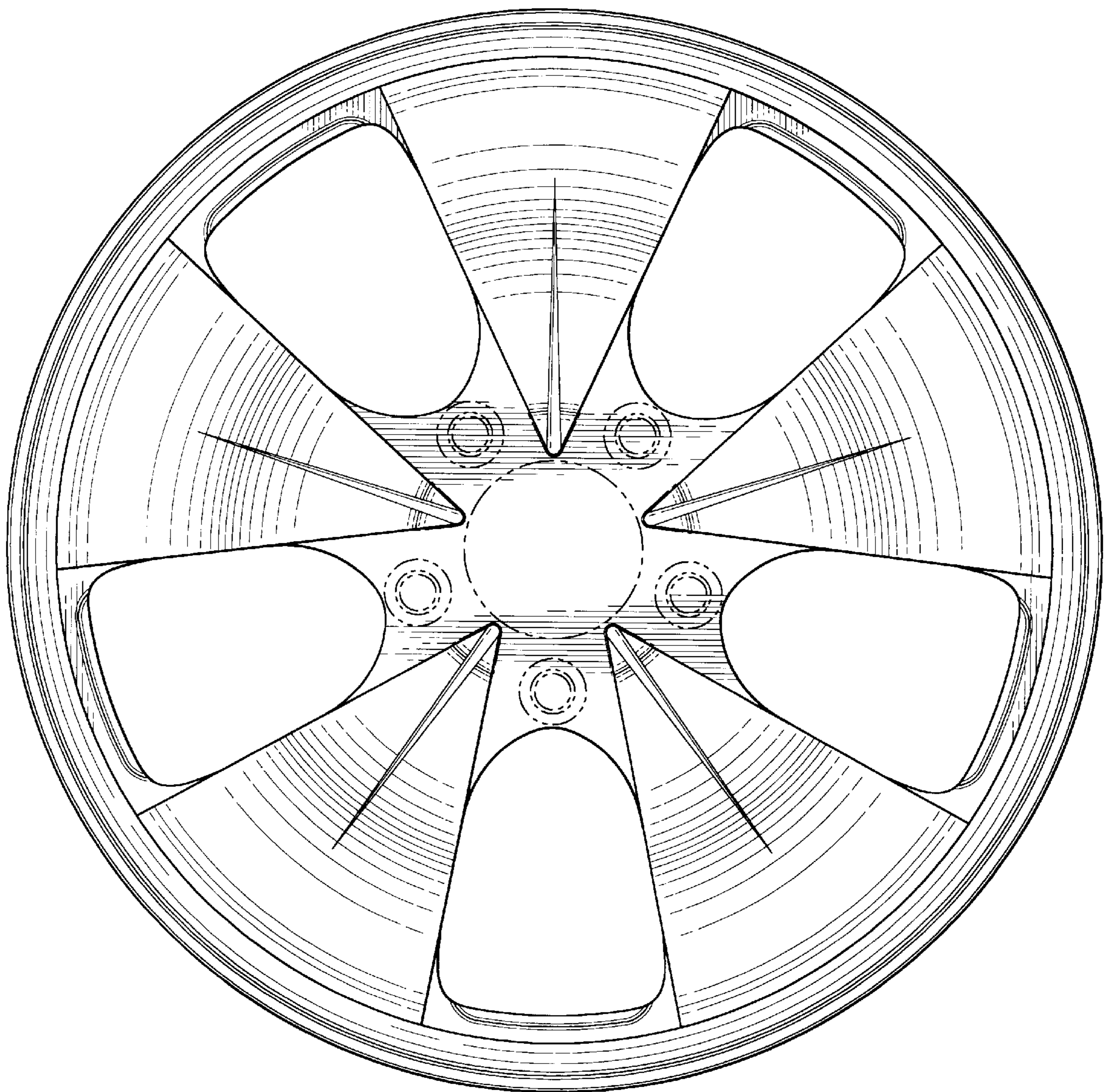


FIG. 3

