



US00D408771S

United States Patent [19] Johnston

[11] Patent Number: **Des. 408,771**

[45] Date of Patent: **** Apr. 27, 1999**

[54] **BUG DEFLECTOR**

[76] Inventor: **Hugh W. Johnston**, 1201 Salvadore Ct., Gastonia, N.C. 28052

[**] Term: **14 Years**

[21] Appl. No.: **29/088,059**

[22] Filed: **May 14, 1998**

[51] **LOC (6) Cl.** **12-16**

[52] **U.S. Cl.** **D12/181**

[58] **Field of Search** D12/181, 190,
D12/197, 400; 40/413; 108/99, 101; 180/69.25;
211/187; 239/498, 500; 296/91, 180.1,
180.2; 428/31

[56] **References Cited**

U.S. PATENT DOCUMENTS

D. 216,965	3/1970	Snyder	D12/197
1,964,124	6/1934	Keller	108/96
2,314,754	3/1943	Baird	239/500
2,433,748	12/1947	Eide	211/187
2,515,604	7/1950	Kish	296/91
2,601,401	6/1952	Kish	296/91
2,754,147	7/1956	Dell	296/91

2,757,954	8/1956	Hurley	296/180.1
2,816,796	12/1957	Saucerman	296/91
2,833,072	5/1958	Gregory	428/31
4,547,013	10/1985	McDaniel	296/180.1

Primary Examiner—Robert M. Spear
Attorney, Agent, or Firm—Adams Law Firm, P.A.

[57] **CLAIM**

I claim the ornamental design for a bug deflector, as shown and described.

DESCRIPTION

FIG. 1 is a top side perspective view of a bug deflector showing my new design, the broken line showing of a vehicle being for illustrative purposes only and forming no part of the claimed design;

FIG. 2 is an enlarged perspective view thereof;

FIG. 3 is a front elevational view thereof;

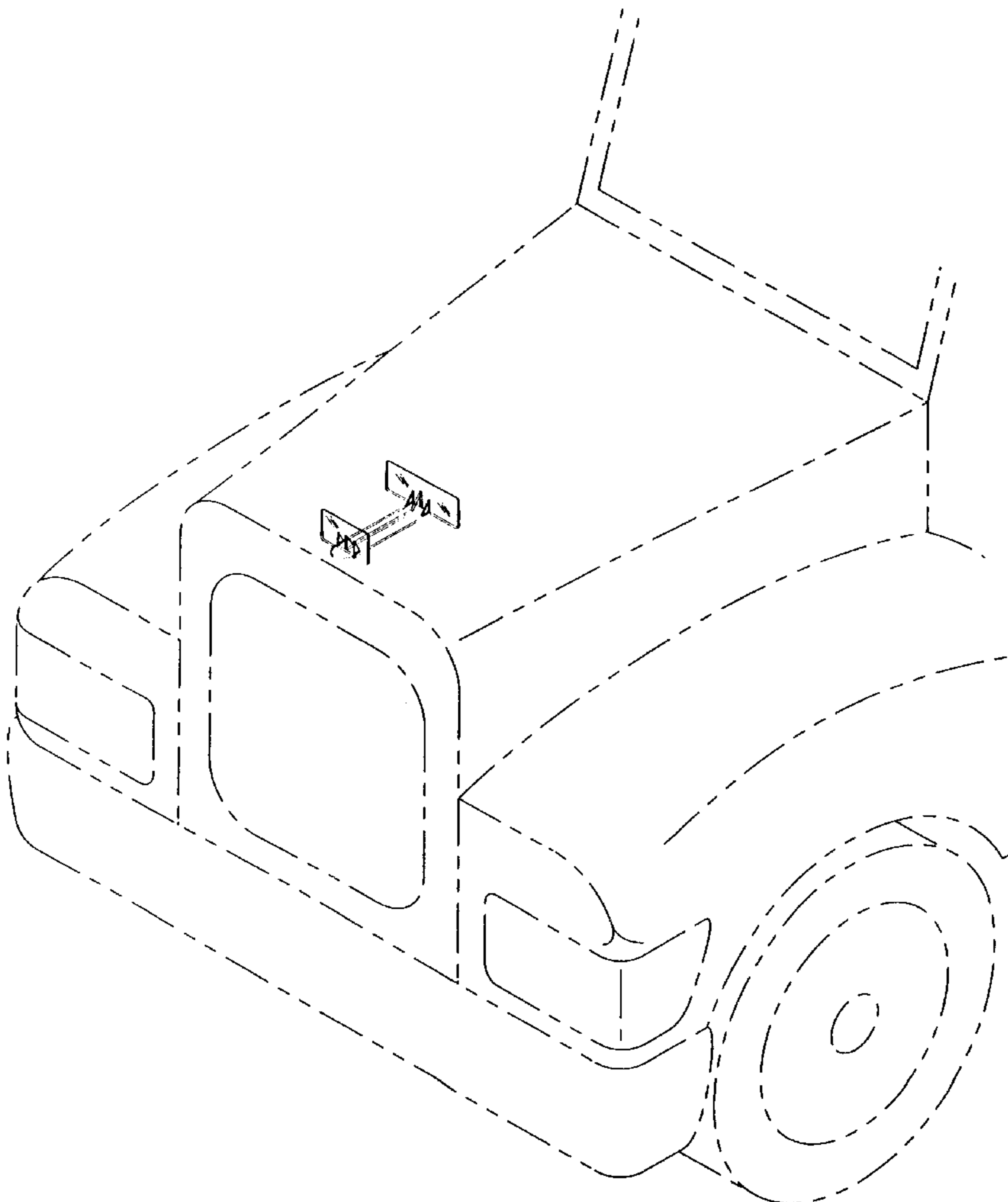
FIG. 4 is a rear elevational view thereof;

FIG. 5 is a side elevational view, the opposite side being a mirror image thereof;

FIG. 6 is a top plan view thereof; and,

FIG. 7 is a bottom plan view thereof.

1 Claim, 6 Drawing Sheets



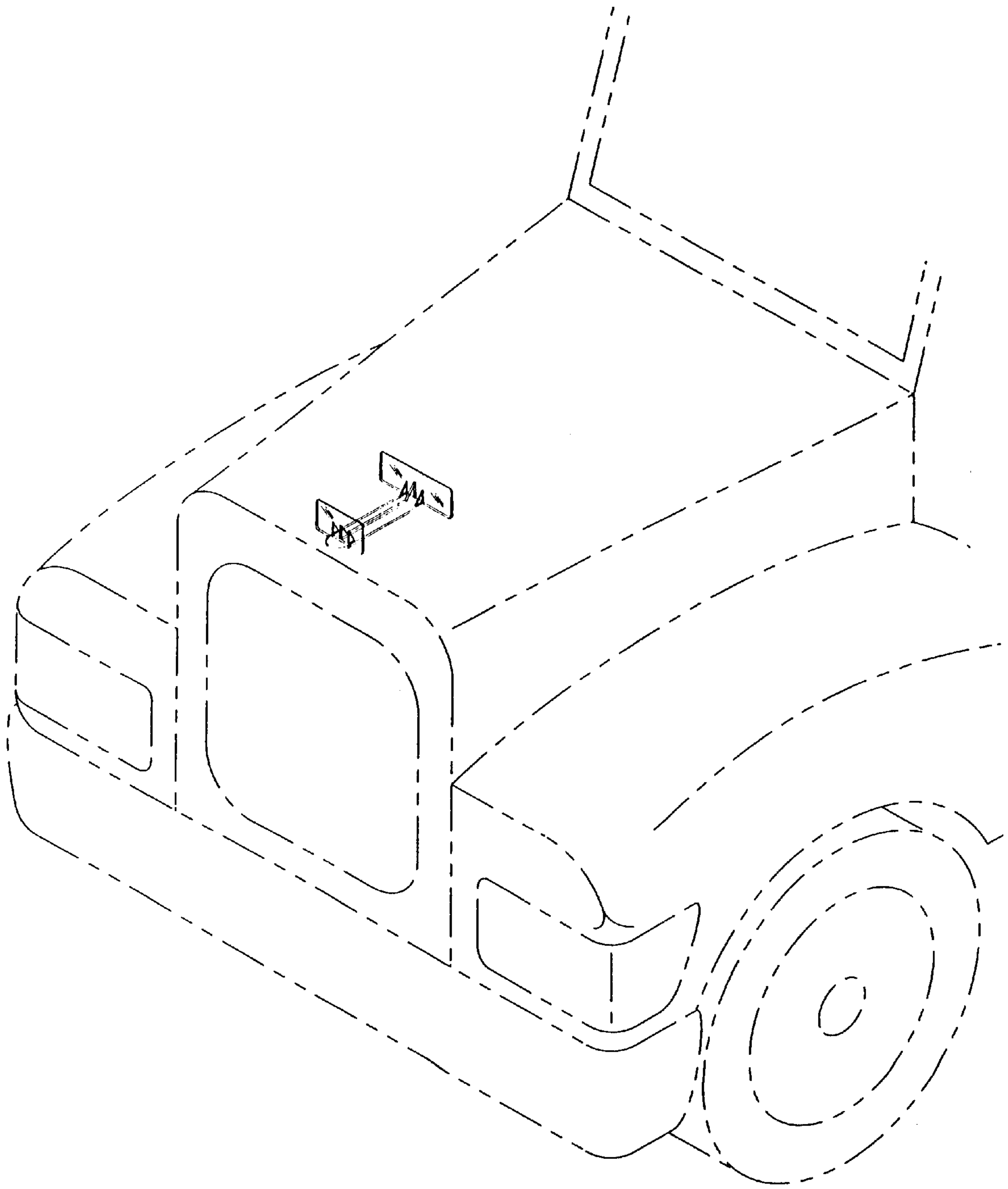


Fig. 1

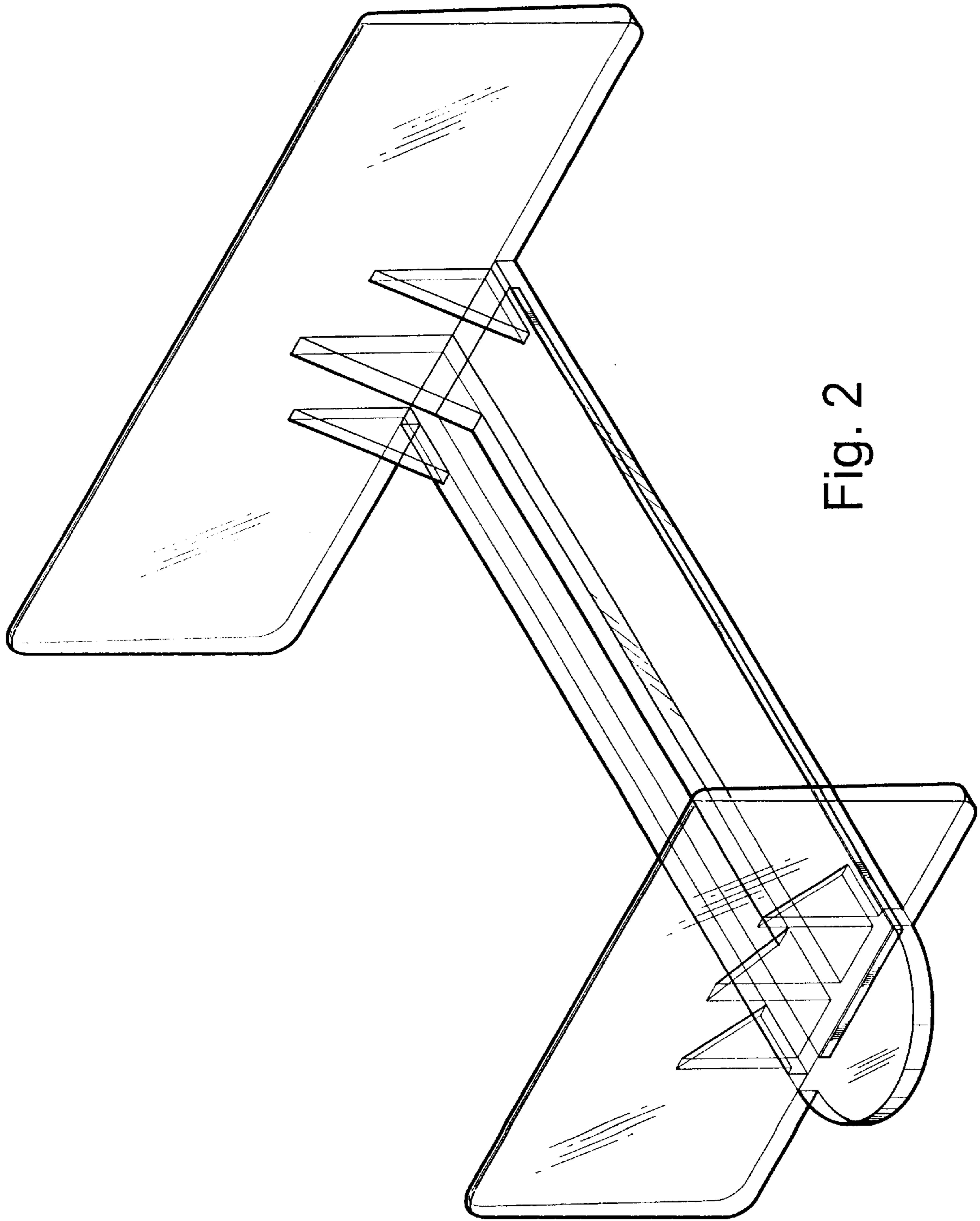


Fig. 2

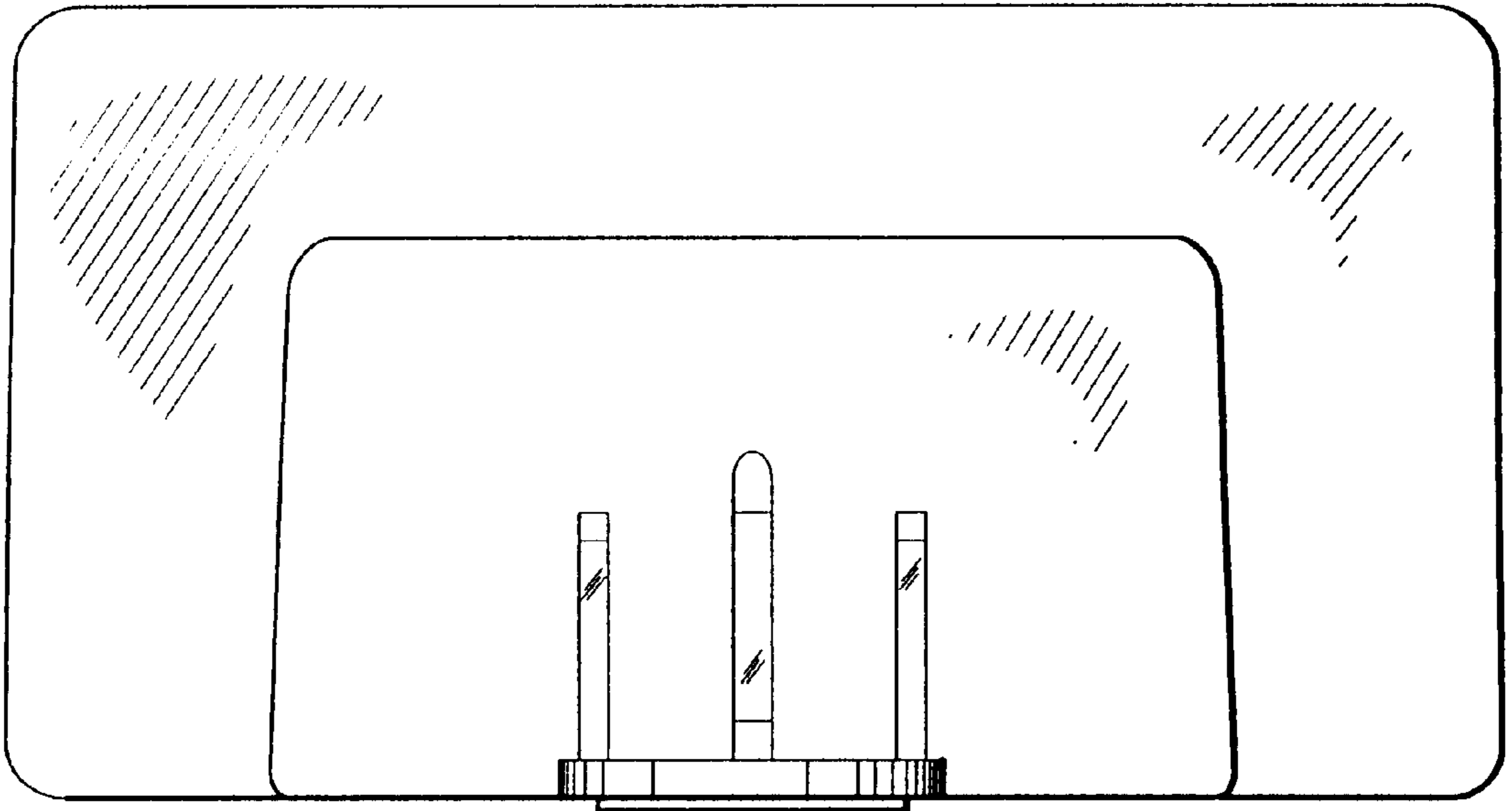


Fig. 3

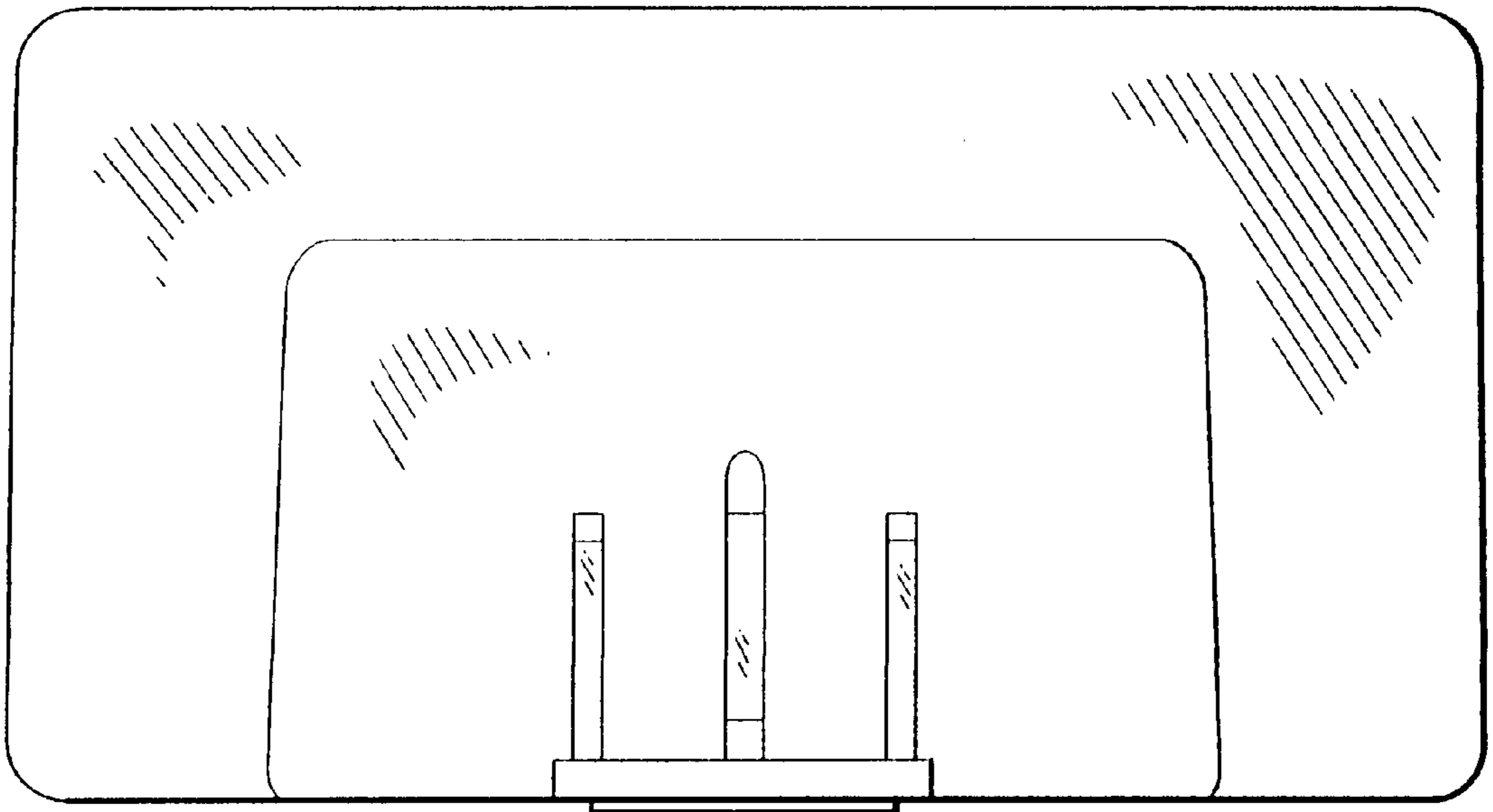


Fig. 4

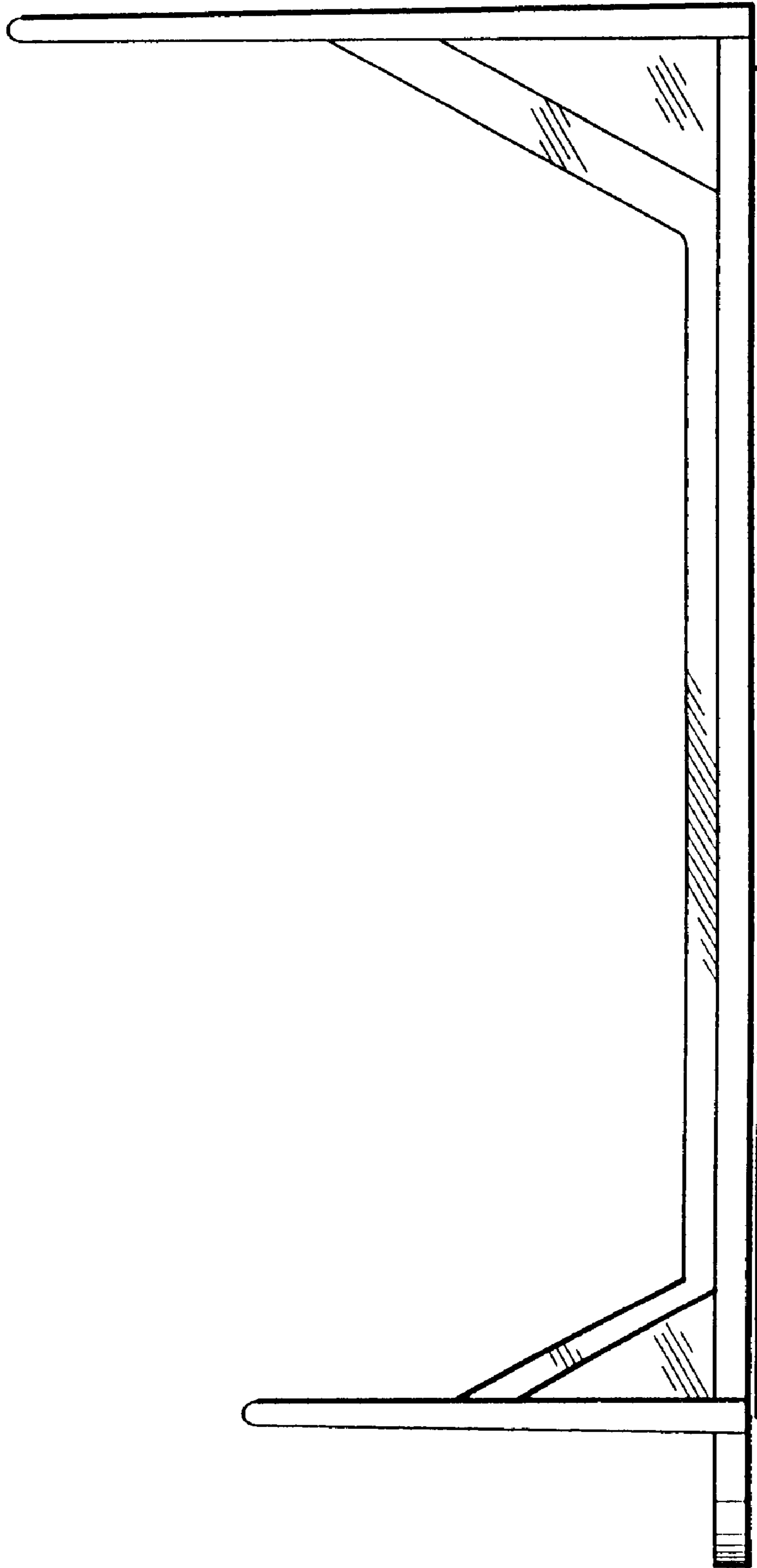


Fig. 5

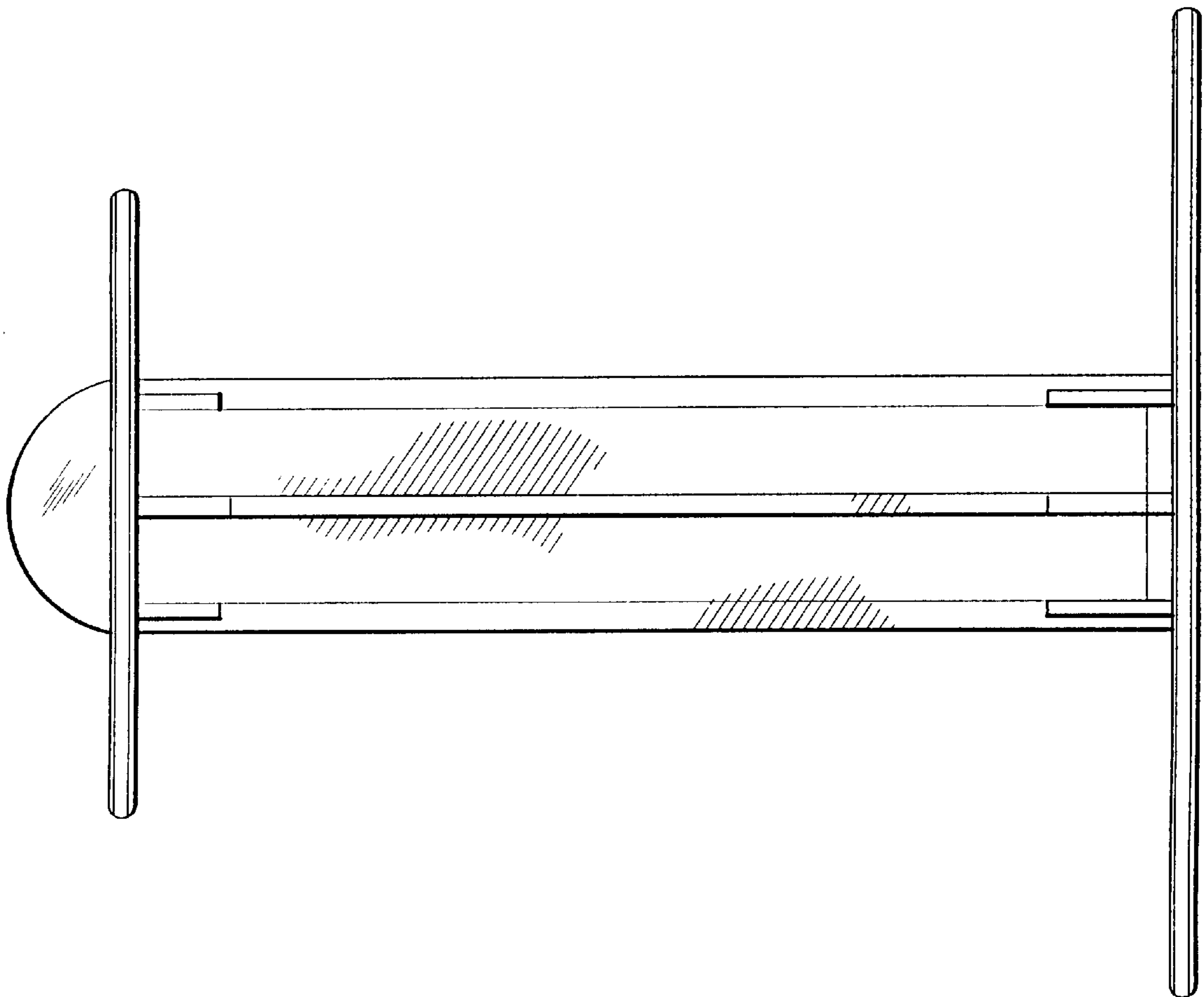


Fig. 6

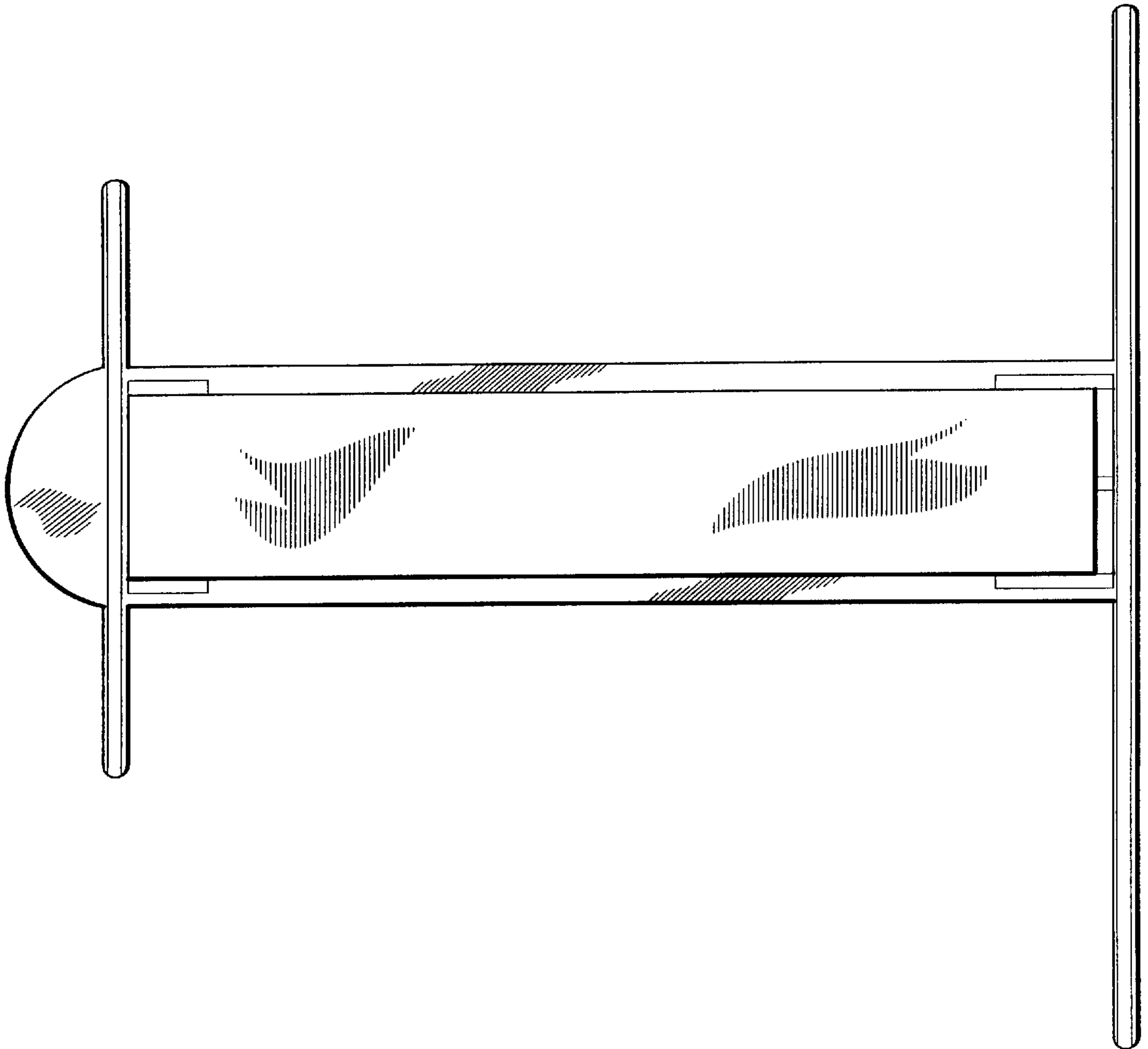


Fig. 7