



US00D408770S

United States Patent [19]
Colquitt

[11] **Patent Number: Des. 408,770**

[45] **Date of Patent: **Apr. 27, 1999**

[54] **STEERING WHEEL**

D. 366,021 1/1996 Thorp D12/176

[76] Inventor: **Paul Colquitt**, P.O. Box 91, St Neots,
Huntingdon Cambs, United Kingdom,
PE19 4WA

Primary Examiner—Melody N. Brown
Attorney, Agent, or Firm—Rader, Fishman & Grauer PLLC

[**] Term: **14 Years**

[57] **CLAIM**

The ornamental design for a steering wheel, as shown and described.

[21] Appl. No.: **29/079,144**

[22] Filed: **Oct. 23, 1997**

DESCRIPTION

[51] **LOC (6) Cl.** **12-16**

[52] **U.S. Cl.** **D12/176**

[58] **Field of Search** D12/175, 176;
74/552

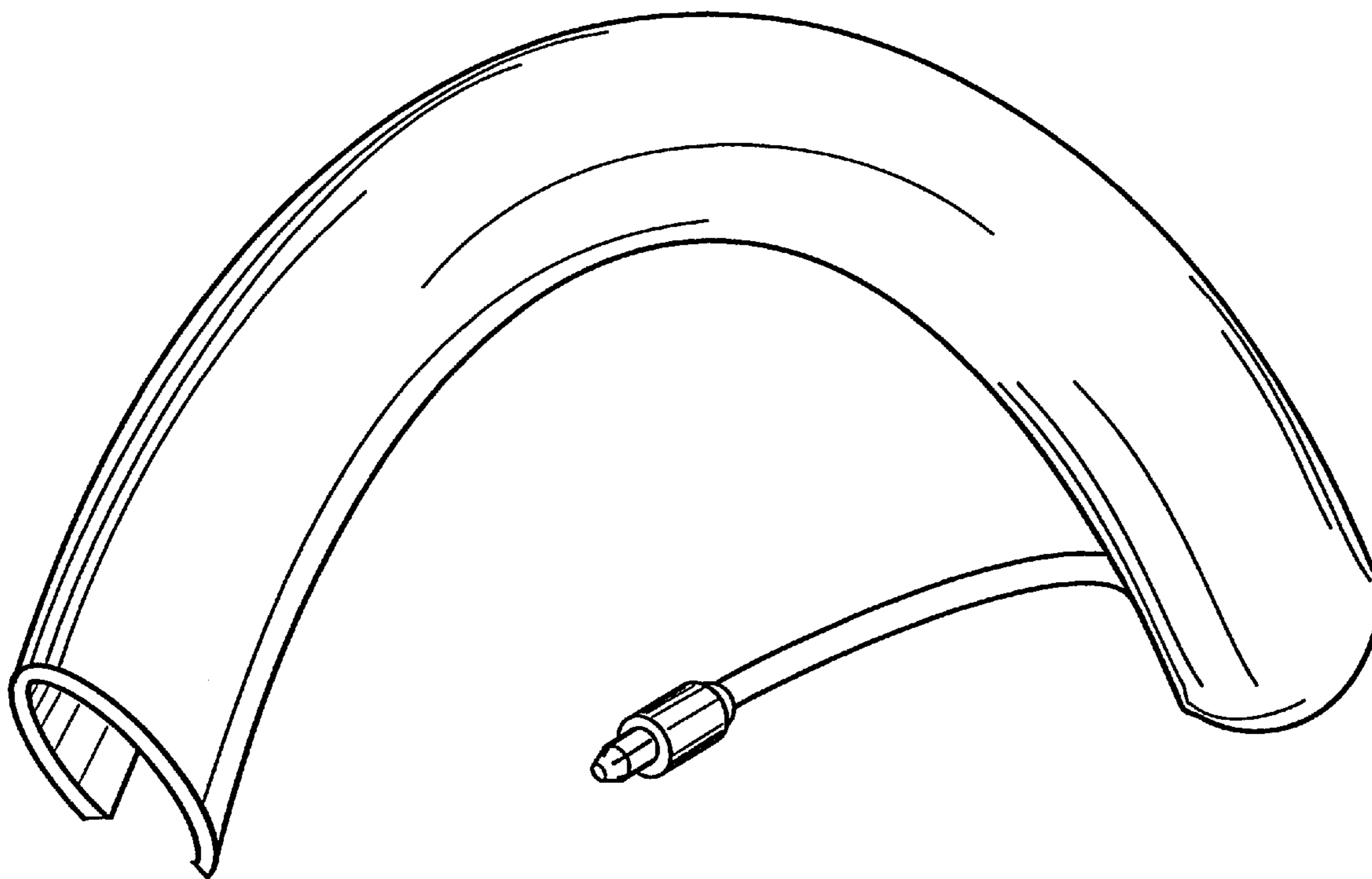
FIG. 1 is a view of the front face of the steering wheel;
FIG. 2 is a view of the reverse face of the steering wheel;
FIG. 3 is a view of the right face of the steering wheel;
FIG. 4 is a view of the left face of the steering wheel;
FIG. 5 is a view of the top face of the steering wheel;
FIG. 6 is a view of the bottom face of the steering wheel;
and,
FIG. 7 is a perspective view of the steering wheel.

[56] **References Cited**

U.S. PATENT DOCUMENTS

- D. 297,028 8/1988 McCann D12/176
- D. 355,879 2/1995 Winbald D12/176

1 Claim, 4 Drawing Sheets



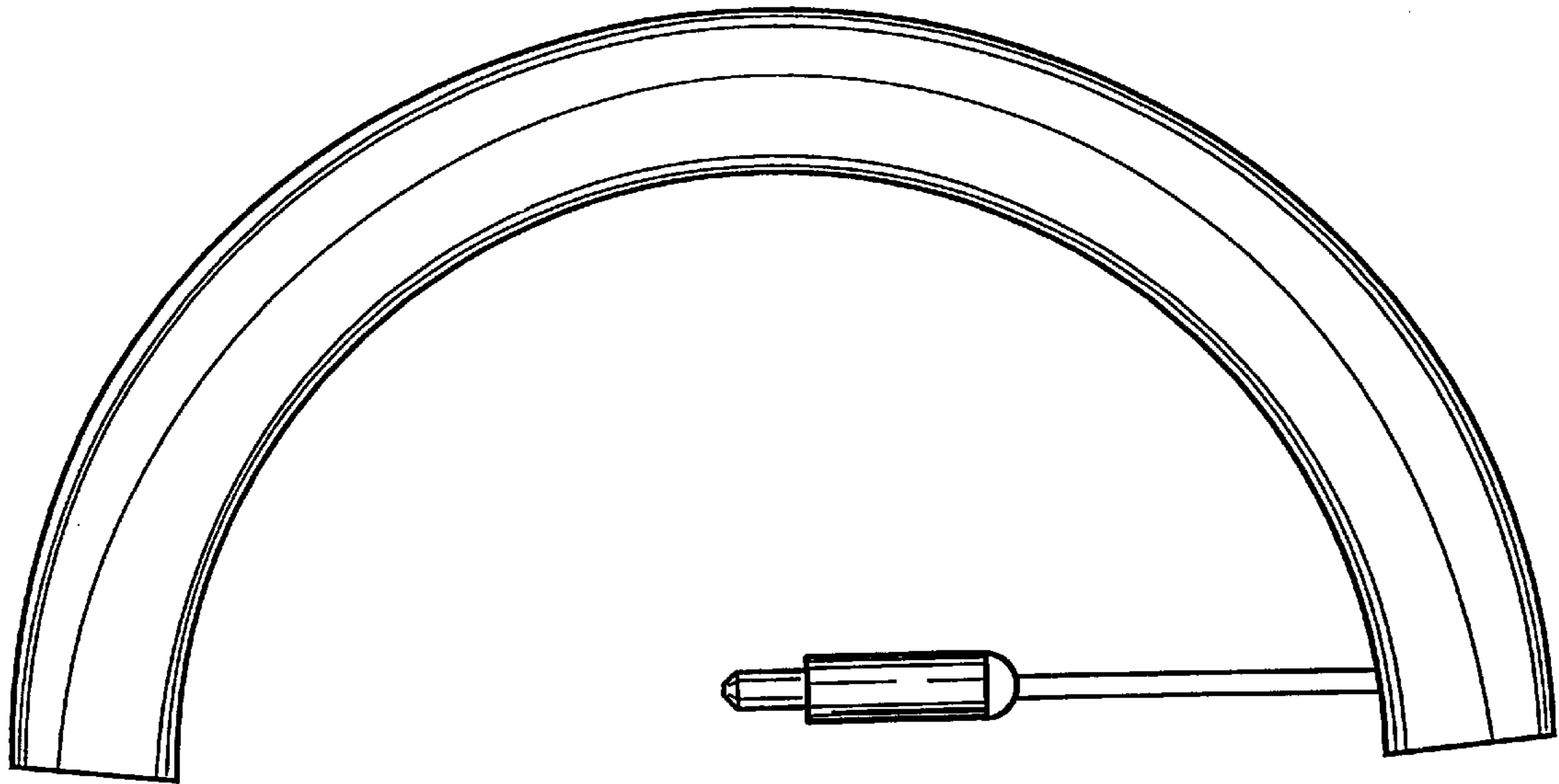


FIG 1

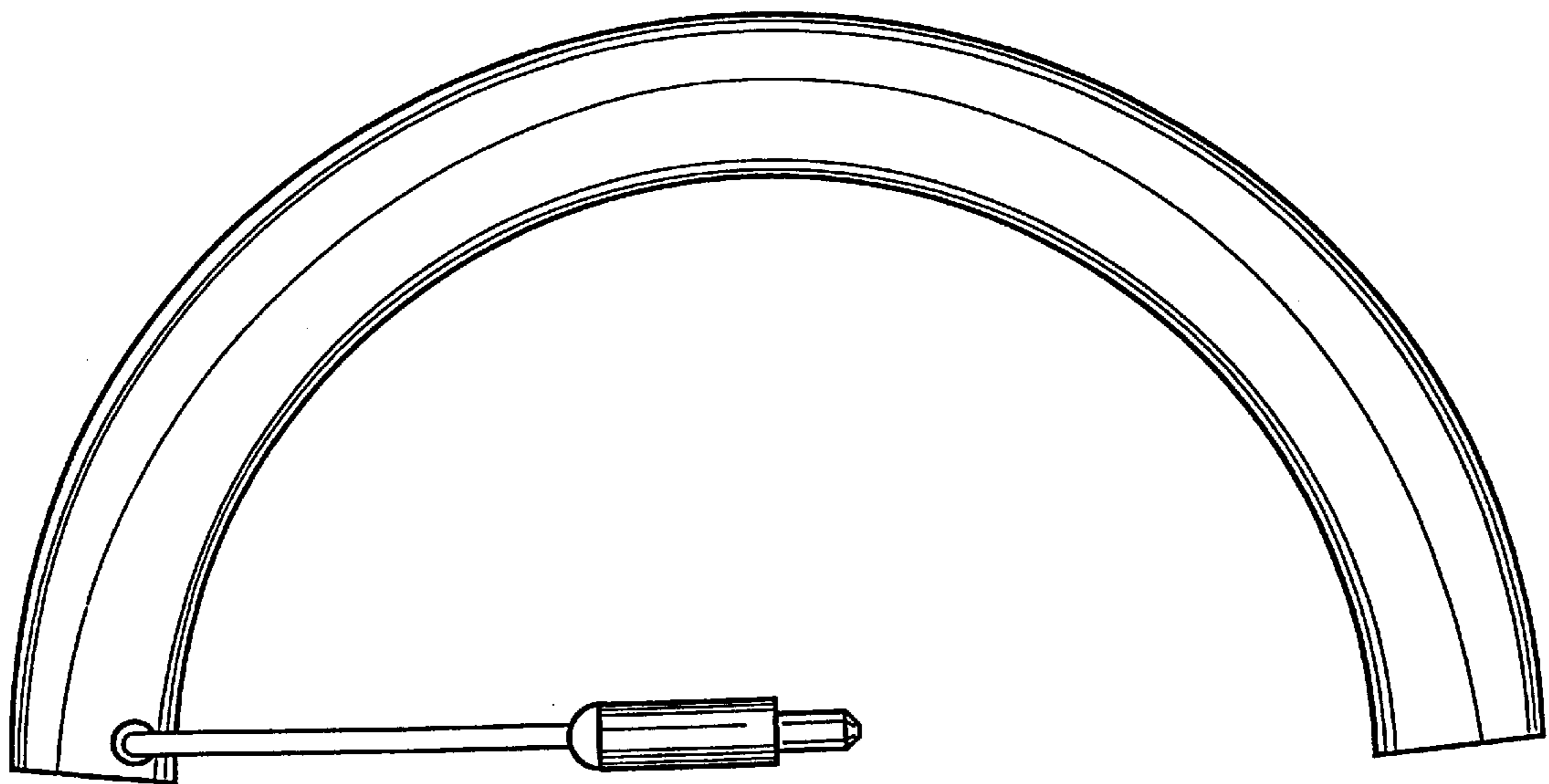


FIG 2

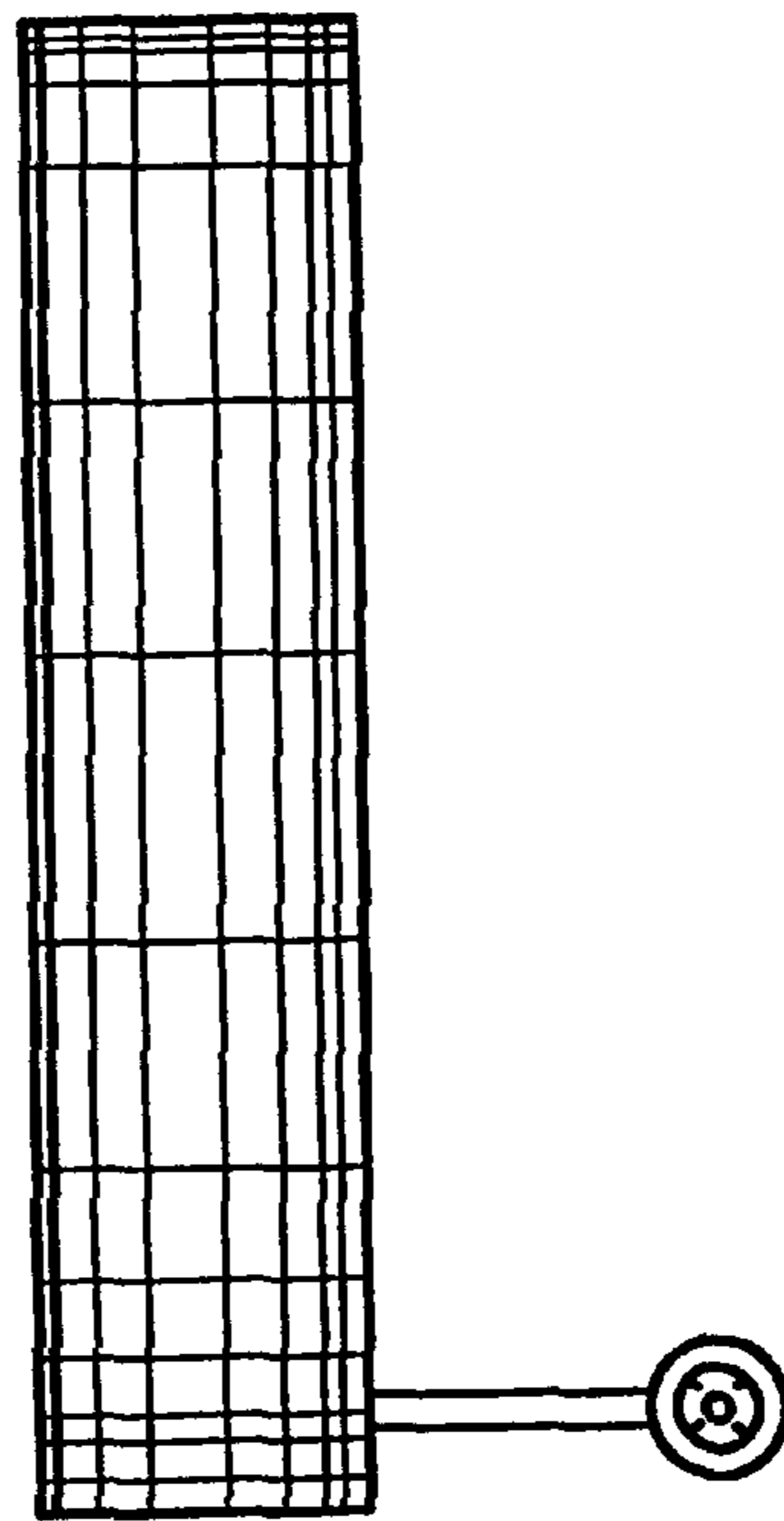


FIG 3

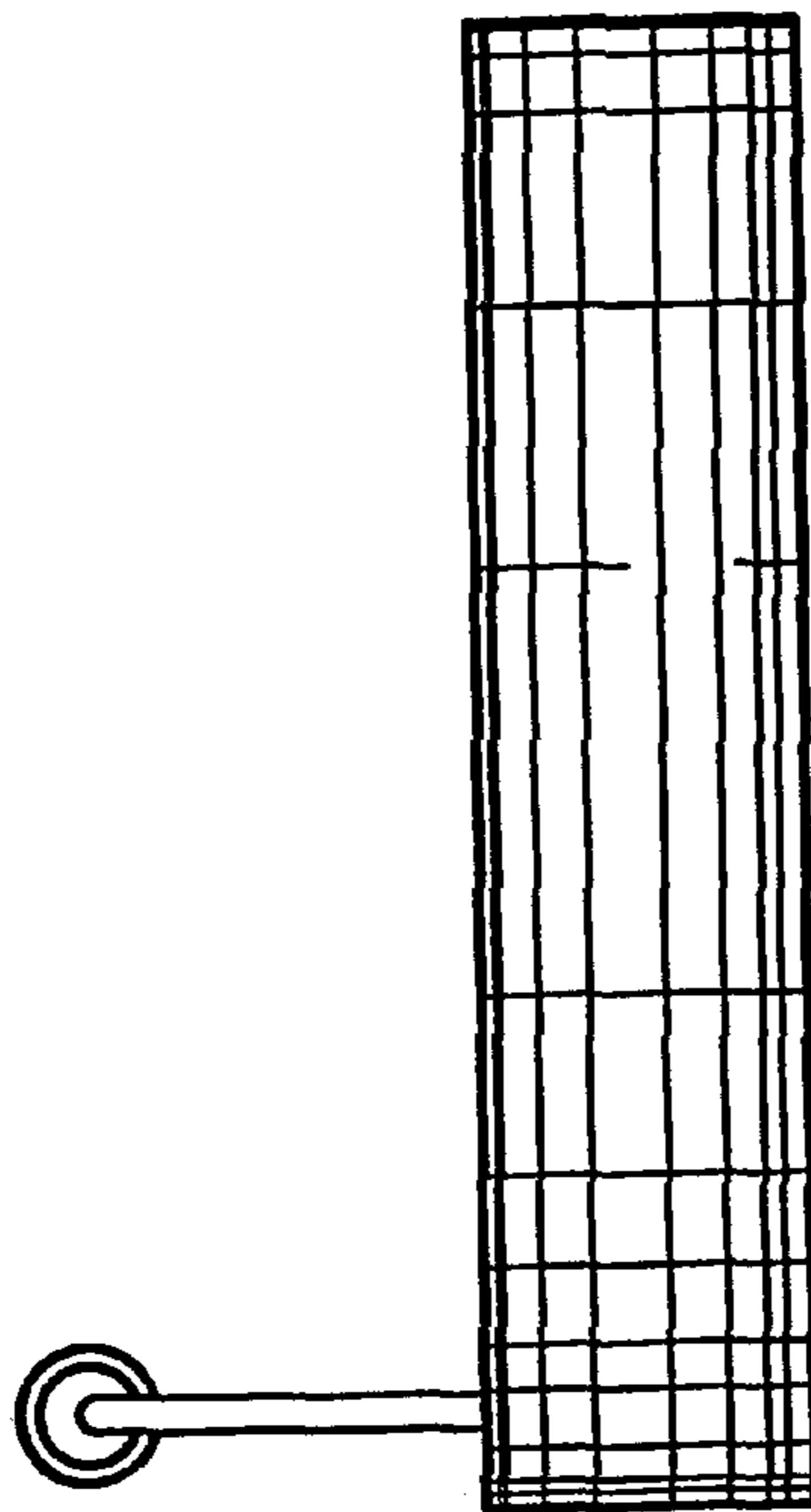


FIG 4

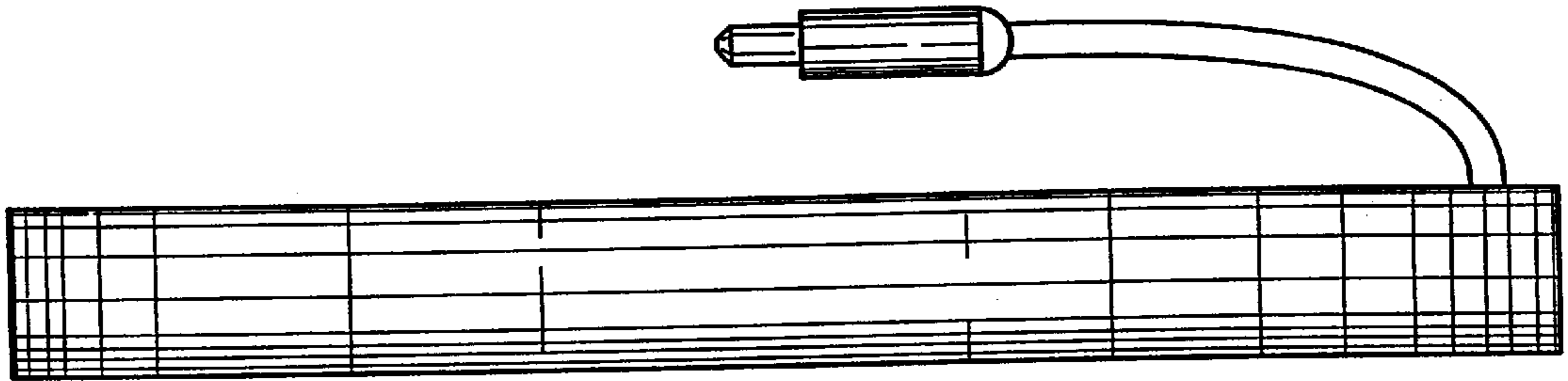


FIG 5

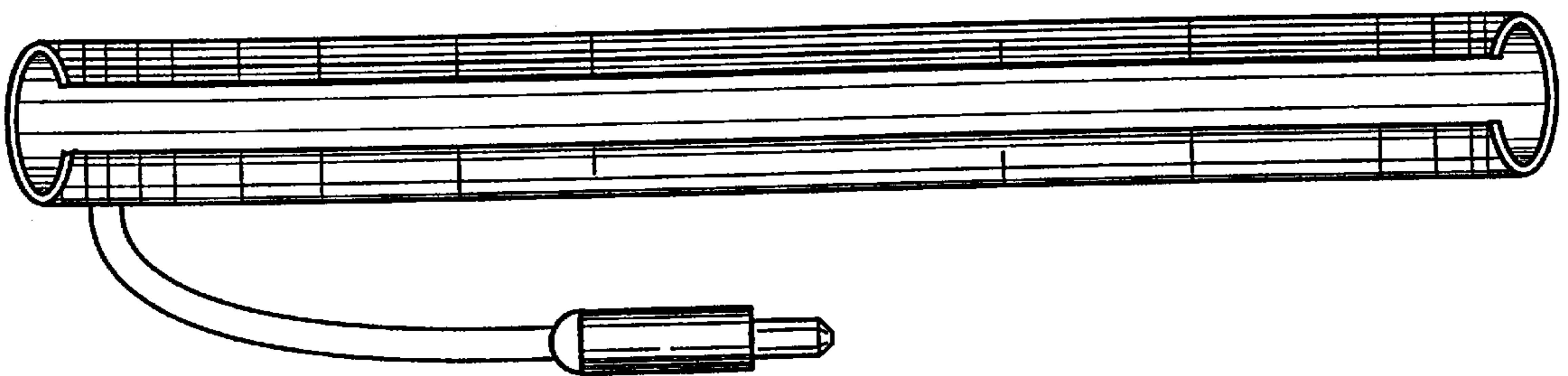


FIG 6

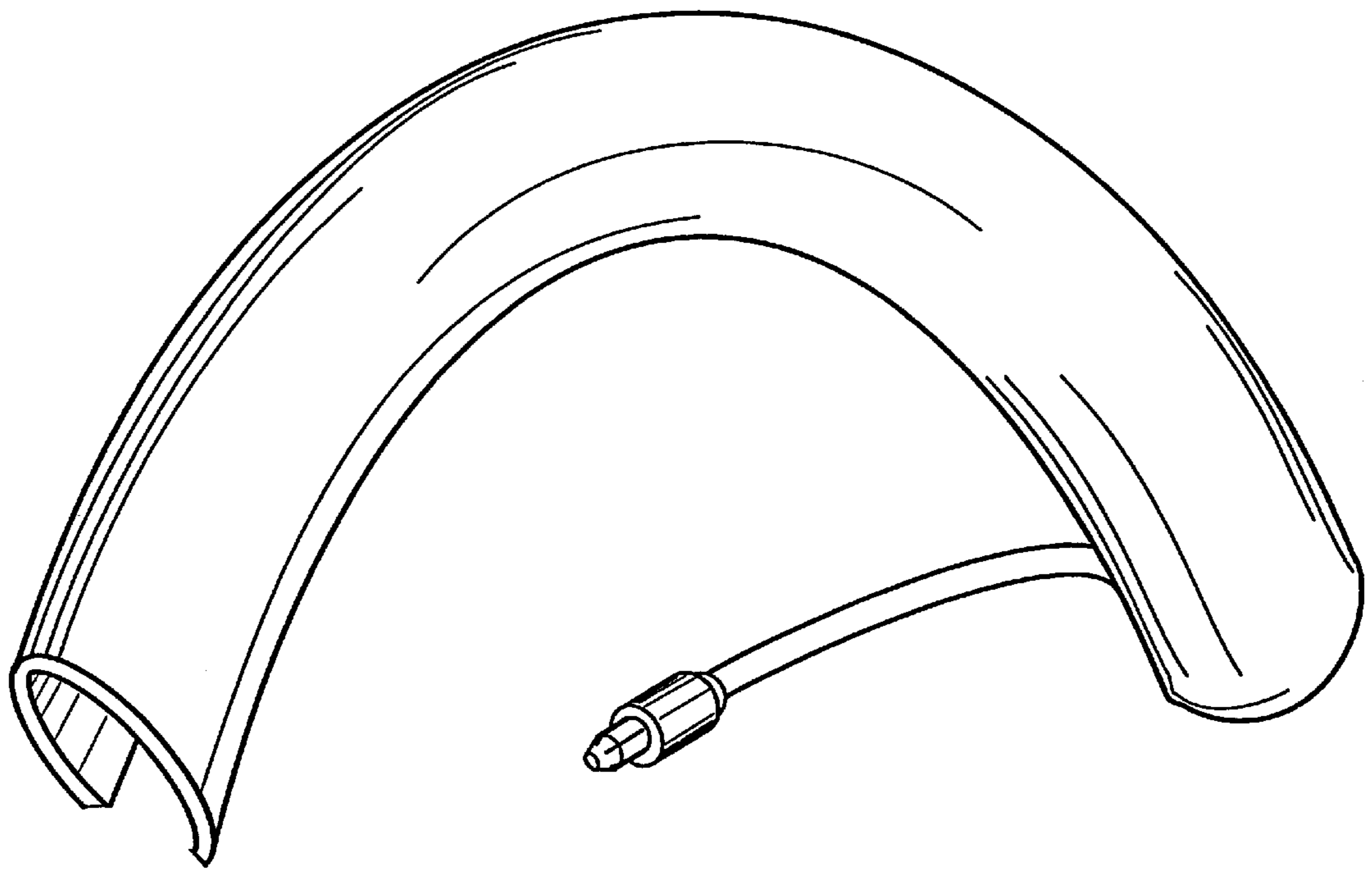


FIG 7