



US00D408769S

United States Patent [19]

Gilliland et al.

[11] Patent Number: **Des. 408,769**

[45] Date of Patent: **** Apr. 27, 1999**

[54] **CONTROL POSITION UNIT FOR A PERSONNEL CARRYING VEHICLE**

[75] Inventors: **Kevin A. Gilliland**, Coldwater; **Pieter C. Kruithof, Jr.**, New Bremen, both of Ohio; **John F. McClusky**, Pittsburgh, Pa.; **Leif A. Norland**, St. Marys, Ohio; **Steven R. Puskamp**; **Harold A. Stammen**, both of New Bremen, Ohio

[73] Assignee: **Crown Equipment Corporation**, New Bremen, Ohio

[**] Term: **14 Years**

[21] Appl. No.: **29/059,618**

[22] Filed: **Sep. 13, 1996**

[51] **LOC (6) Cl.** **12-16**

[52] **U.S. Cl.** **D12/174**

[58] **Field of Search** D12/174, 192, D12/1, 16, 85; D21/48; 74/488, 489, 502.2, 551.8, 551.9; 180/65.1, 332

[56] **References Cited**

U.S. PATENT DOCUMENTS

D. 323,797 2/1992 Osalapas et al. D12/85

D. 343,935	2/1994	Drobeck et al.	D12/1
D. 355,148	2/1995	Orsolini	D12/85
3,465,841	9/1969	Puskamp et al.	180/65.1
3,645,151	2/1972	Yoshikawa	74/488 X
3,834,249	9/1974	Bothwell	74/488 X
5,245,144	9/1993	Stammen	74/488
5,595,259	1/1997	Gelleland et al.	180/332

Primary Examiner—Melody N. Brown
Attorney, Agent, or Firm—Killworth, Gottman, Hagan & Schaeff, L.L.P.

[57] **CLAIM**

The ornamental design for a control position unit for a personnel carrying vehicle, as shown and described.

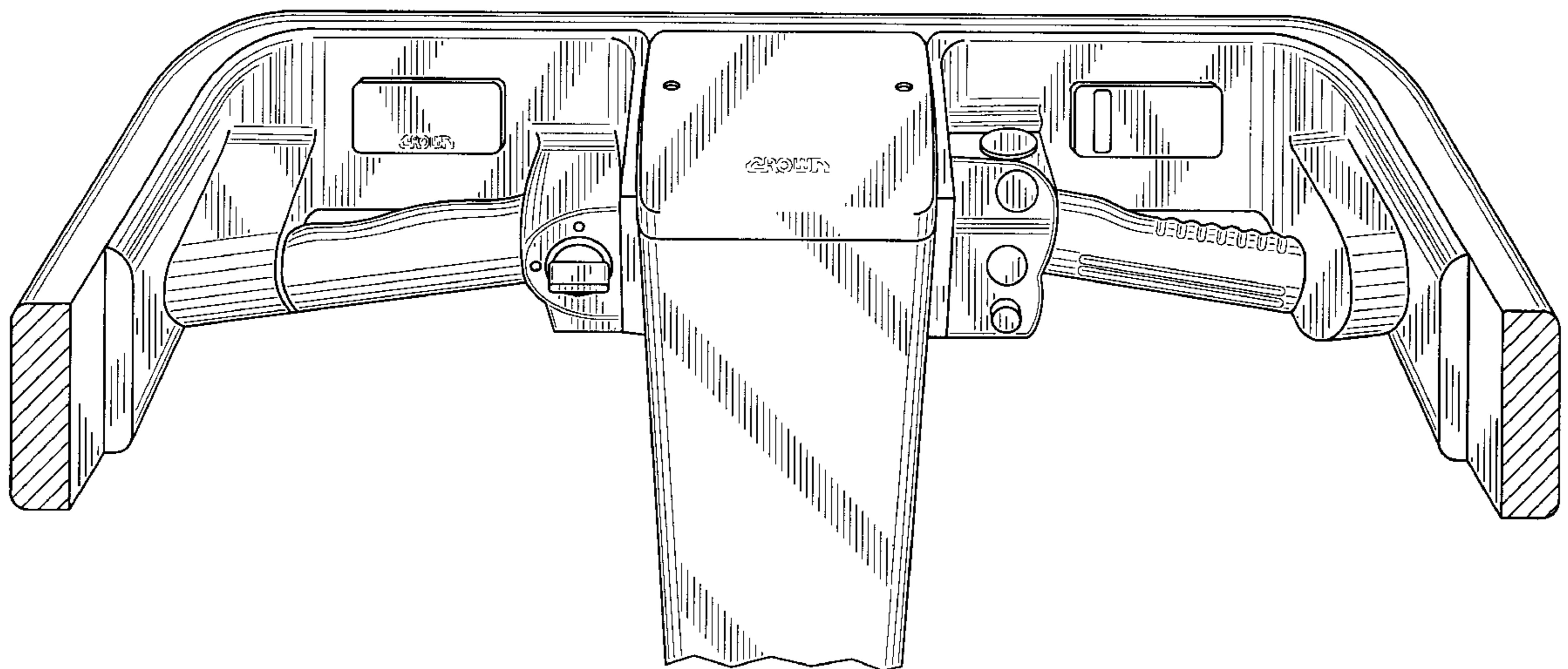
DESCRIPTION

FIG. 1 is a top plan view of a control position unit for a personnel carrying vehicle showing our new design;

FIG. 2 is a cross sectional view taken along line 2—2 in FIG. 1; and,

FIG. 3 is a cross sectional view taken along line 3—3 in FIG. 1.

1 Claim, 2 Drawing Sheets



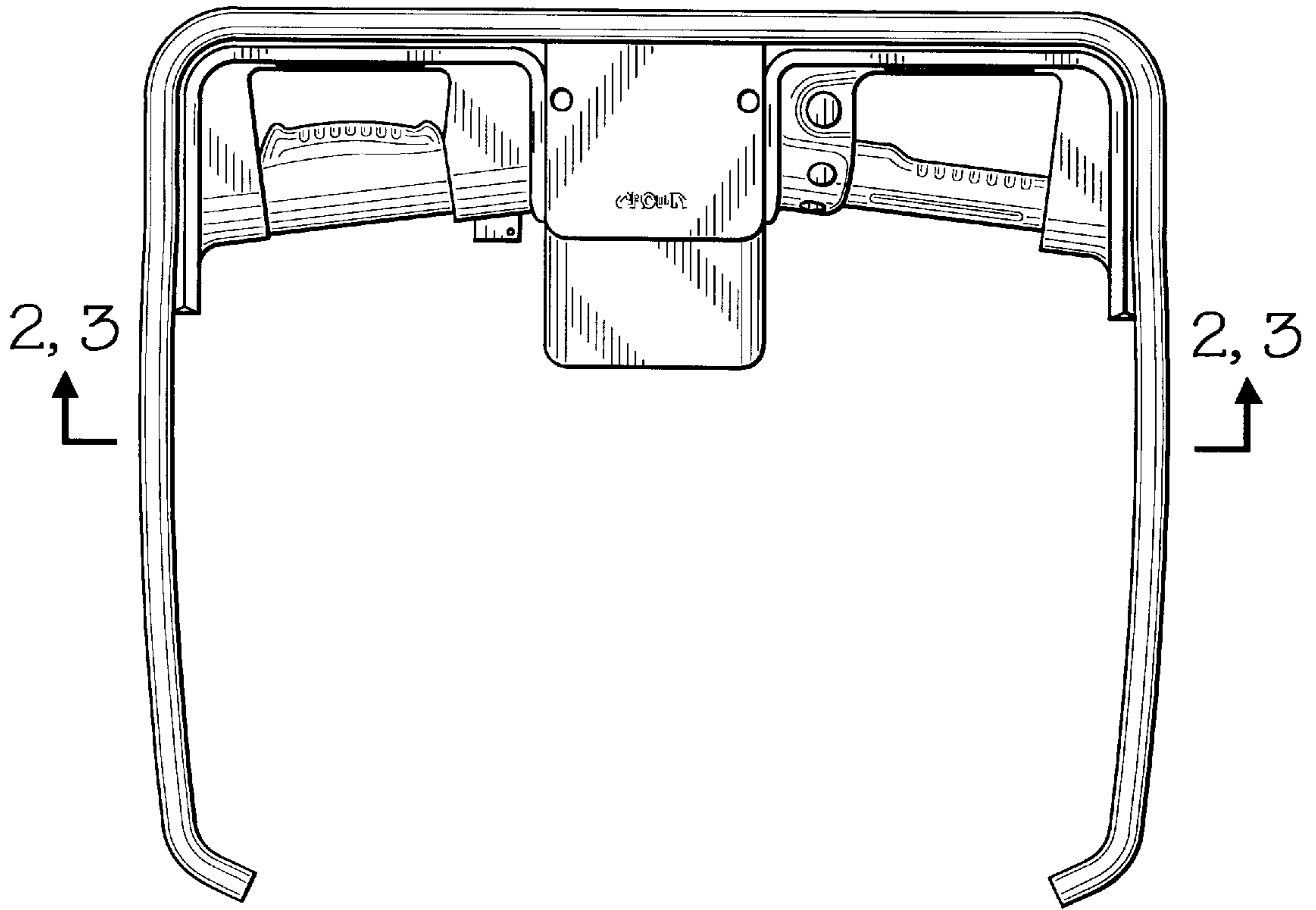


FIG. 1

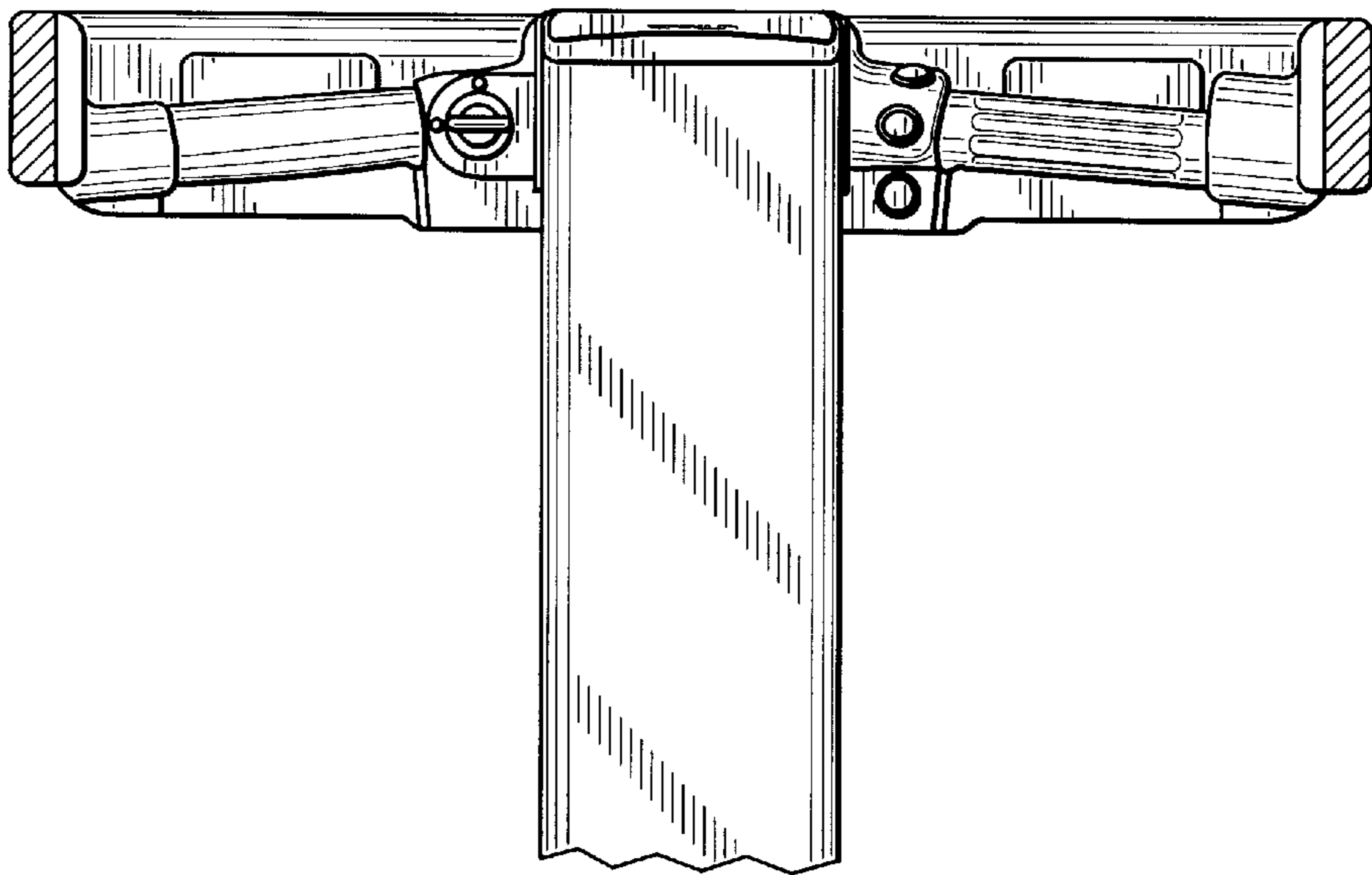


FIG. 2

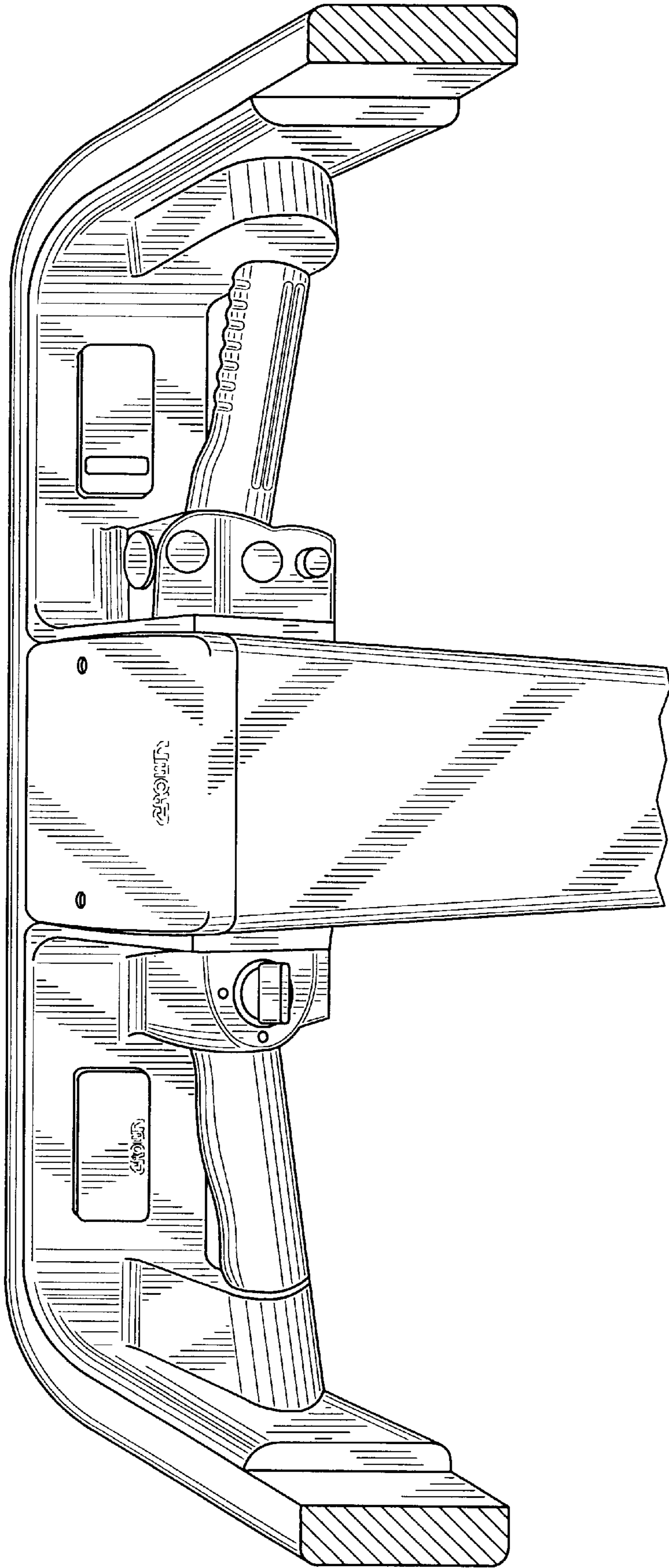


FIG. 3