



US00D408768S

United States Patent [19]

Baechler et al.

[11] Patent Number: Des. 408,768

[45] Date of Patent: ** Apr. 27, 1999

[54] BABY STROLLER CONVERSION UNIT

[75] Inventors: Philip A. Baechler; Joseph P. Delorme; Michael F. Arnold, all of Yakima, Wash.

[73] Assignee: Racing Strollers, Inc., Yakima, Wash.

[**] Term: 14 Years

[21] Appl. No.: 29/080,503

[22] Filed: Dec. 10, 1997

Related U.S. Application Data

[60] Division of application No. 29/057,128, Jul. 17, 1996, which is a continuation-in-part of application No. 08/530,787, Sep. 19, 1995, Pat. No. 5,695,208.

[51] LOC (6) Cl. 12-12

[52] U.S. Cl. D12/133; D12/102

[58] Field of Search D12/133, 101, D12/102, 114; 280/204, 203, 30; D34/12

References Cited

U.S. PATENT DOCUMENTS

D. 369,579	5/1996	Baechler et al.	D12/133
D. 370,194	5/1996	Baechler et al.	D34/12
5,071,146	12/1991	Lewis et al.	280/30
5,176,395	1/1993	Garforth-Zles	280/204

5,292,142	3/1994	Vitarelli	280/203
5,421,597	6/1995	Berner	280/204
5,454,578	10/1995	Neack	280/204
5,460,395	10/1995	Chen	280/204
5,474,316	12/1995	Britton	280/204
5,577,746	11/1996	Britton	280/204
5,599,033	2/1997	Kolbus et al.	280/204
5,695,208	12/1997	Baechler et al.	280/204

Primary Examiner—Melody N. Brown
Attorney, Agent, or Firm—Seed and Berry LLP

[57] CLAIM

The ornamental design for a baby stroller conversion unit, as shown and described.

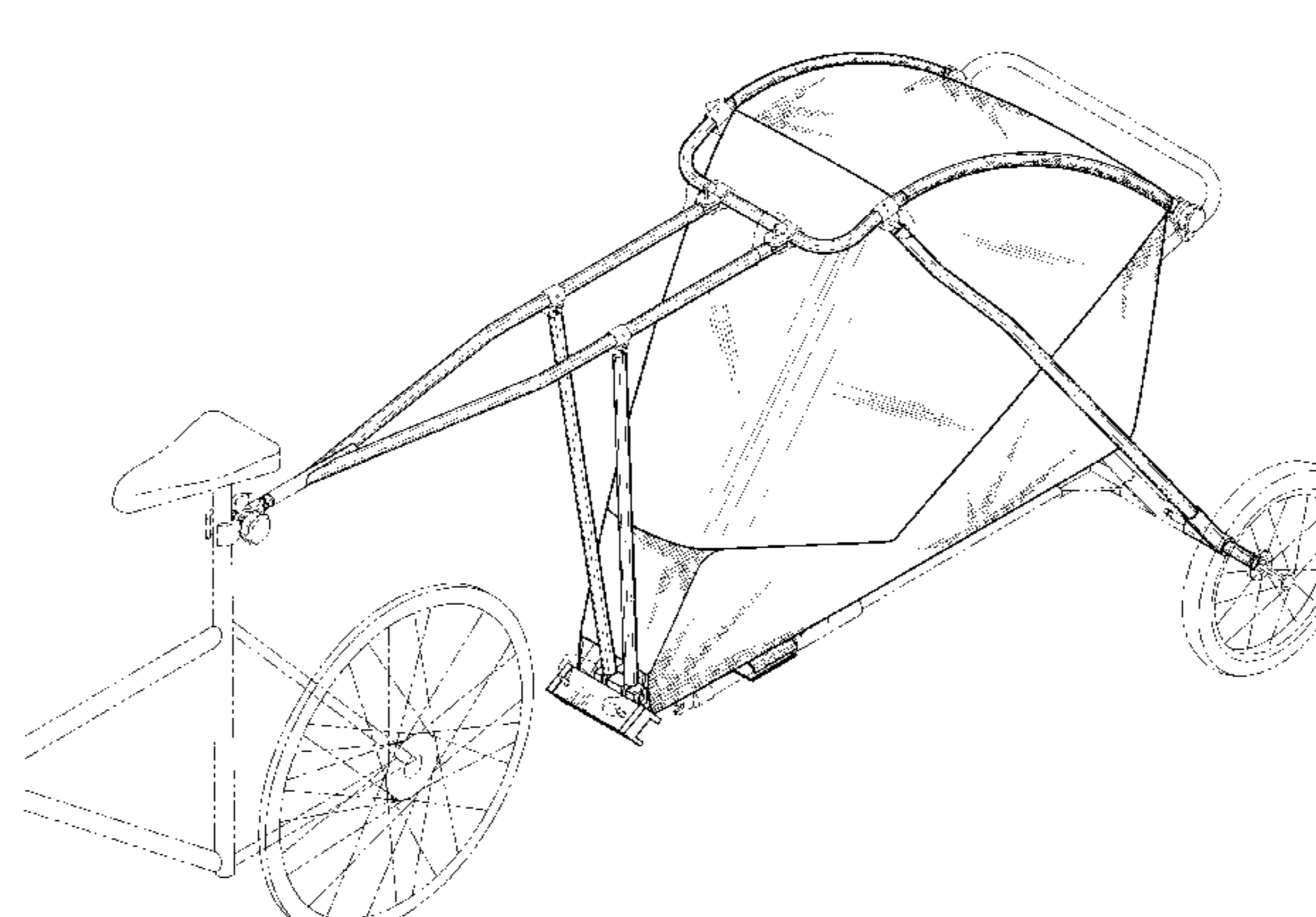
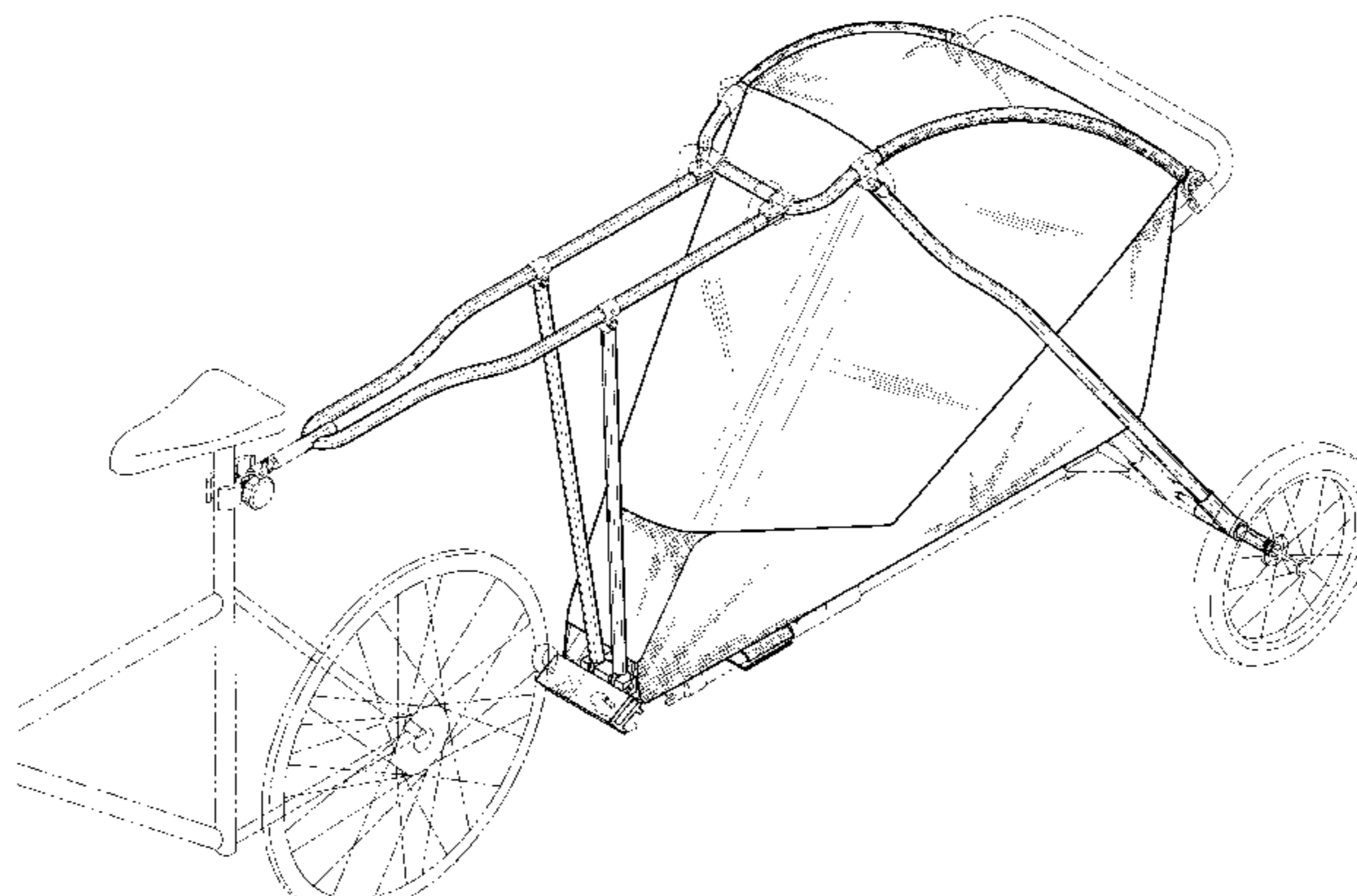
DESCRIPTION

FIG. 1 is a top, front and side perspective view of a baby stroller conversion unit showing our new design, the opposite side is a mirror image of the side shown, and the rear view is plain and unornamented; and,

FIG. 2 is a top, front, and side perspective view of an alternative embodiment of the baby stroller conversion unit showing our new design, the opposite side is a mirror image of the side shown, and the rear view is plain and unornamented.

The broken lines are for illustrative purposes only and form no part of the claimed design.

1 Claim, 2 Drawing Sheets



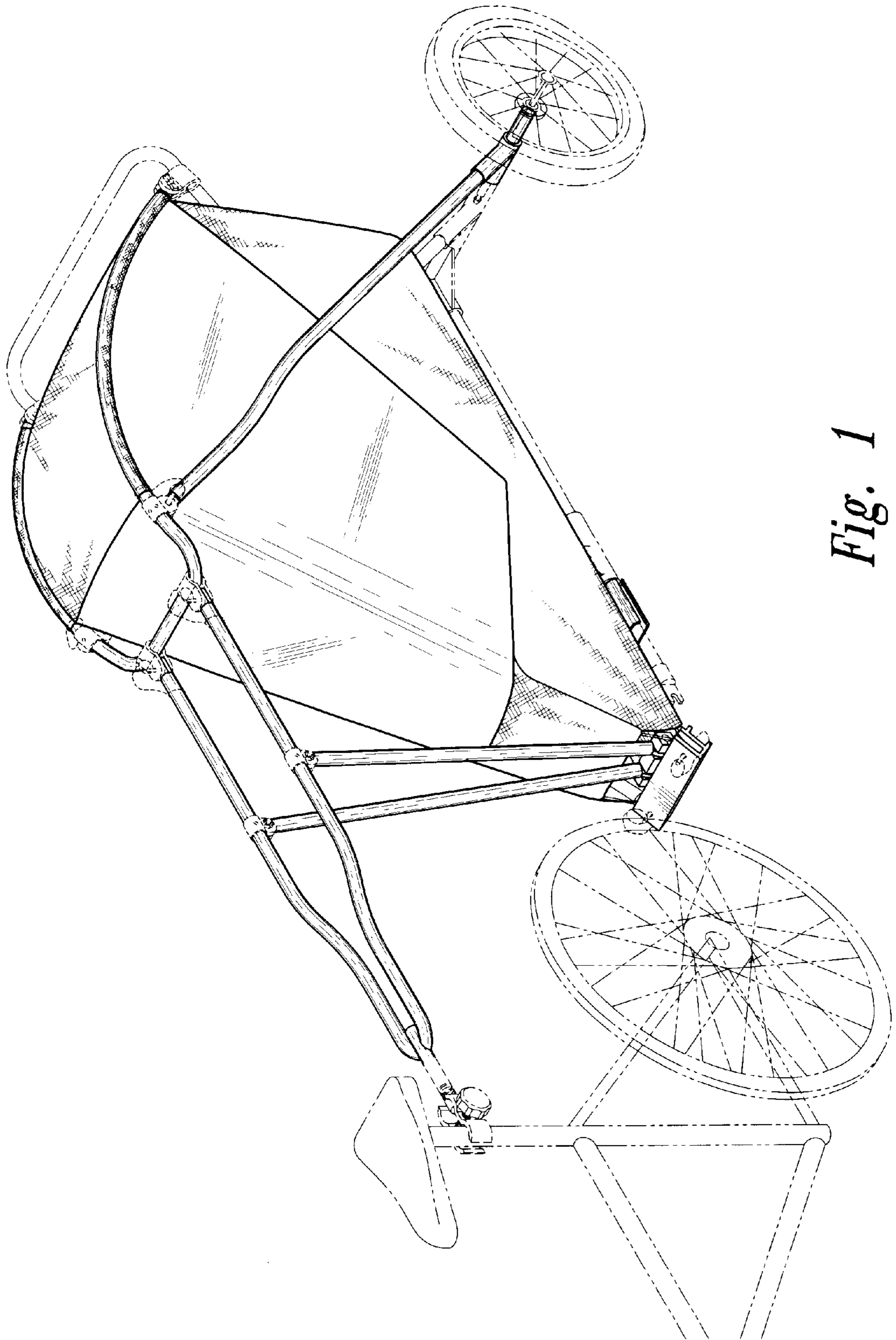


Fig. 1

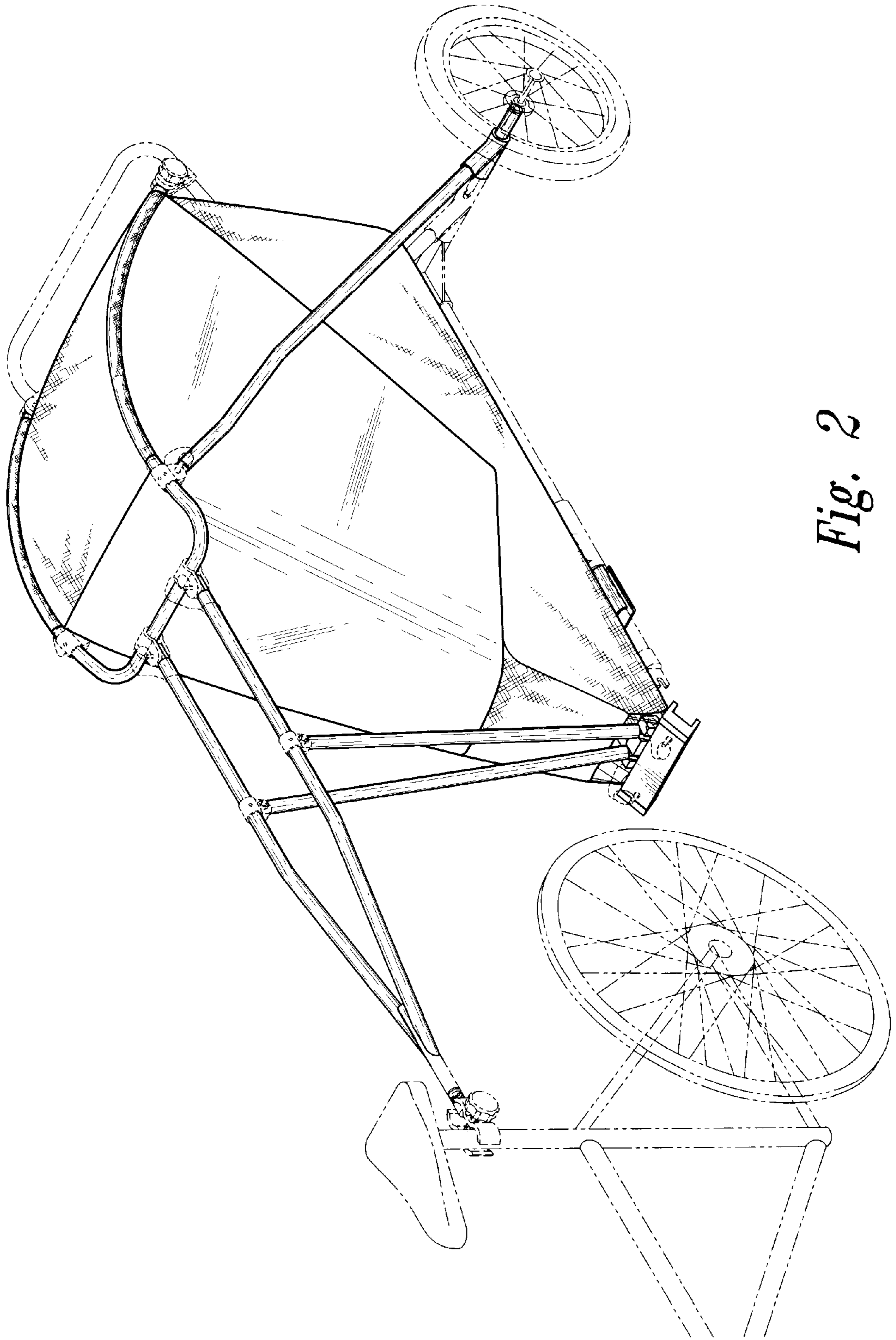


Fig. 2