



US00D408761S

United States Patent [19]
Challoner et al.

[11] **Patent Number: Des. 408,761**
[45] **Date of Patent: ** Apr. 27, 1999**

[54] **QUADRICYCLE FRAME**
[75] Inventors: **Lewis Challoner**, 953 Avalon Rd.,
Janesville, Wis. 53546; **D'Ann
Challoner**, Janesville, Wis.

3,870,338 3/1975 Hobib 280/209
3,902,738 9/1975 Gandred 280/209
4,290,620 9/1981 Chika 280/209
4,834,410 5/1989 Parker 280/231 X
5,511,809 4/1996 Sagi 280/209

[73] Assignee: **Lewis Challoner**, Janesville, Wis.
[**] Term: **14 Years**

Primary Examiner—Melody N. Brown

[21] Appl. No.: **29/073,906**
[22] Filed: **Jul. 21, 1997**

[57] **CLAIM**
The ornamental design for a quadricycle frame, as shown.

Related U.S. Application Data

DESCRIPTION

[63] Continuation-in-part of application No. 29/059,684, Sep. 13,
1996, which is a continuation-in-part of application No.
29/049,302, Jan. 22, 1996, Pat. No. Des. 385,225.

FIG. 1 is a perspective view of quadricycle frame showing
our new design;
FIG. 2 is a front elevational view of a therefor;
FIG. 3 is a rear elevational view thereof;
FIG. 4 is a bottom plan view thereof;
FIG. 5 is a top plan view thereof;
FIG. 6 is an exploded plan view thereof; and,
FIG. 7 is an exploded top plan view thereof.

[51] **LOC (6) Cl.** **12-11**
[52] **U.S. Cl.** **D12/109**
[58] **Field of Search** D12/111, 107,
D12/112, 113, 109; 280/209, 231

[56] **References Cited**
U.S. PATENT DOCUMENTS
D. 385,225 1/1996 Challoner et al. D12/111

1 Claim, 3 Drawing Sheets

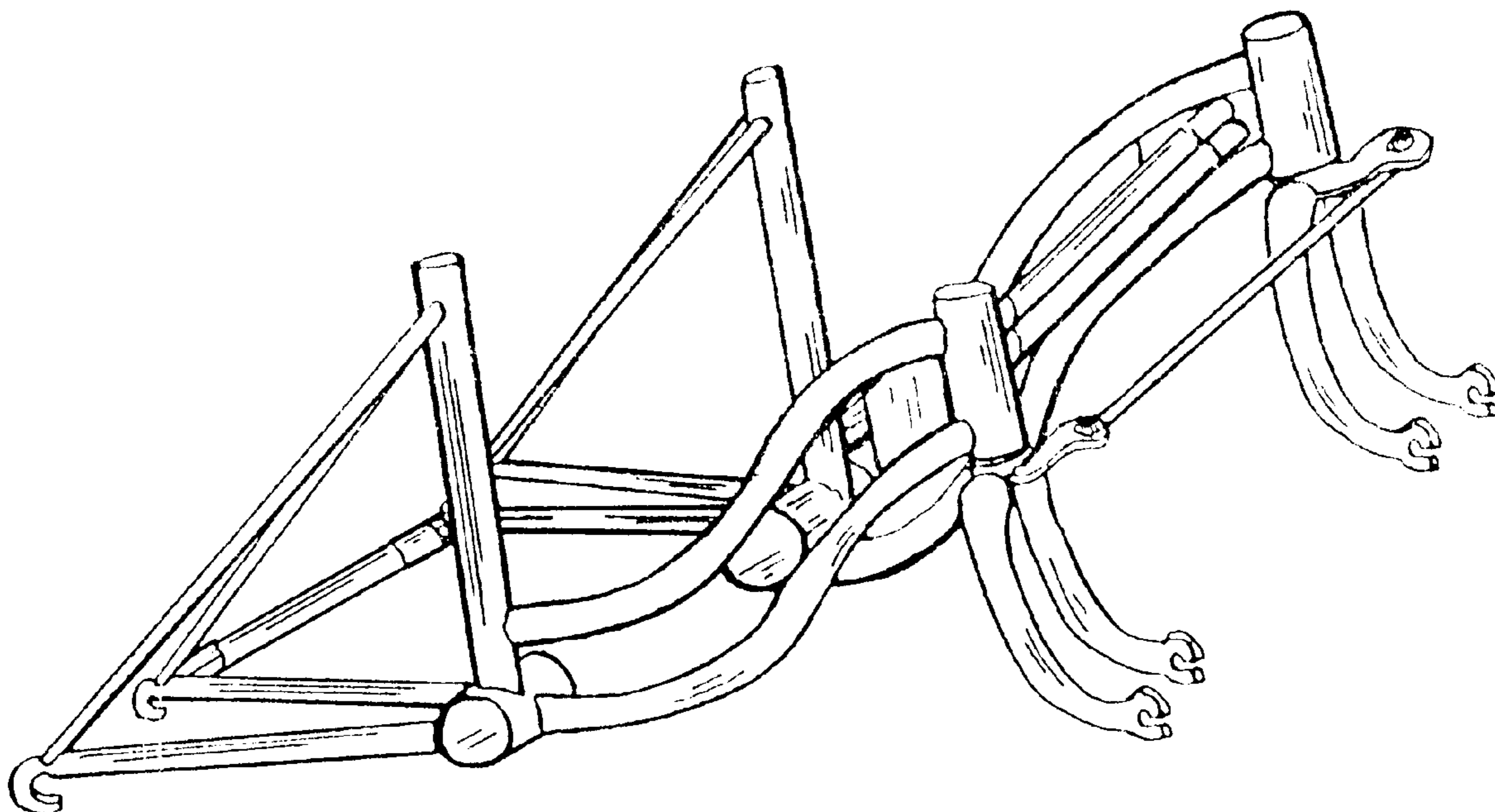


FIG. 1

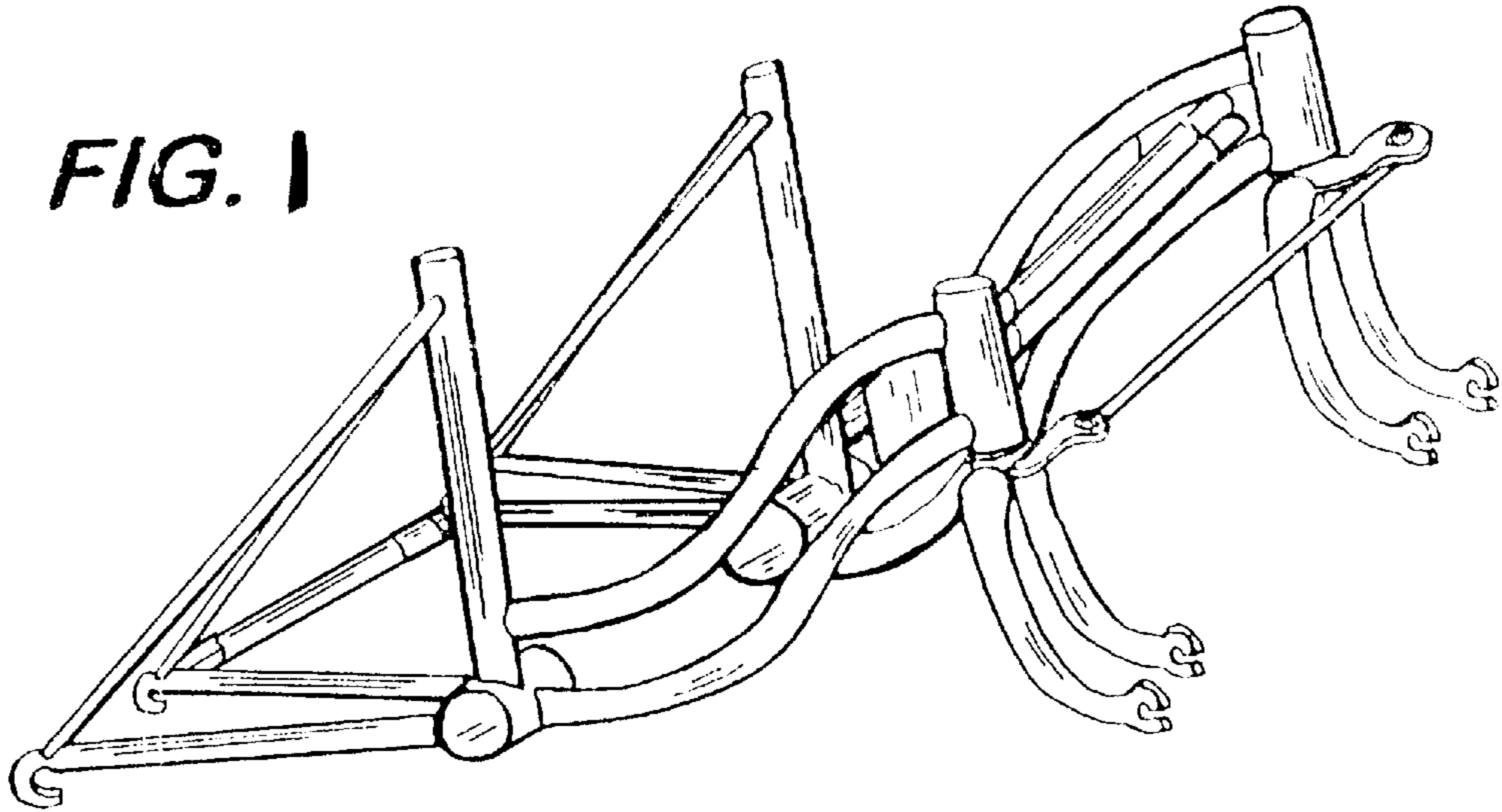


FIG. 2

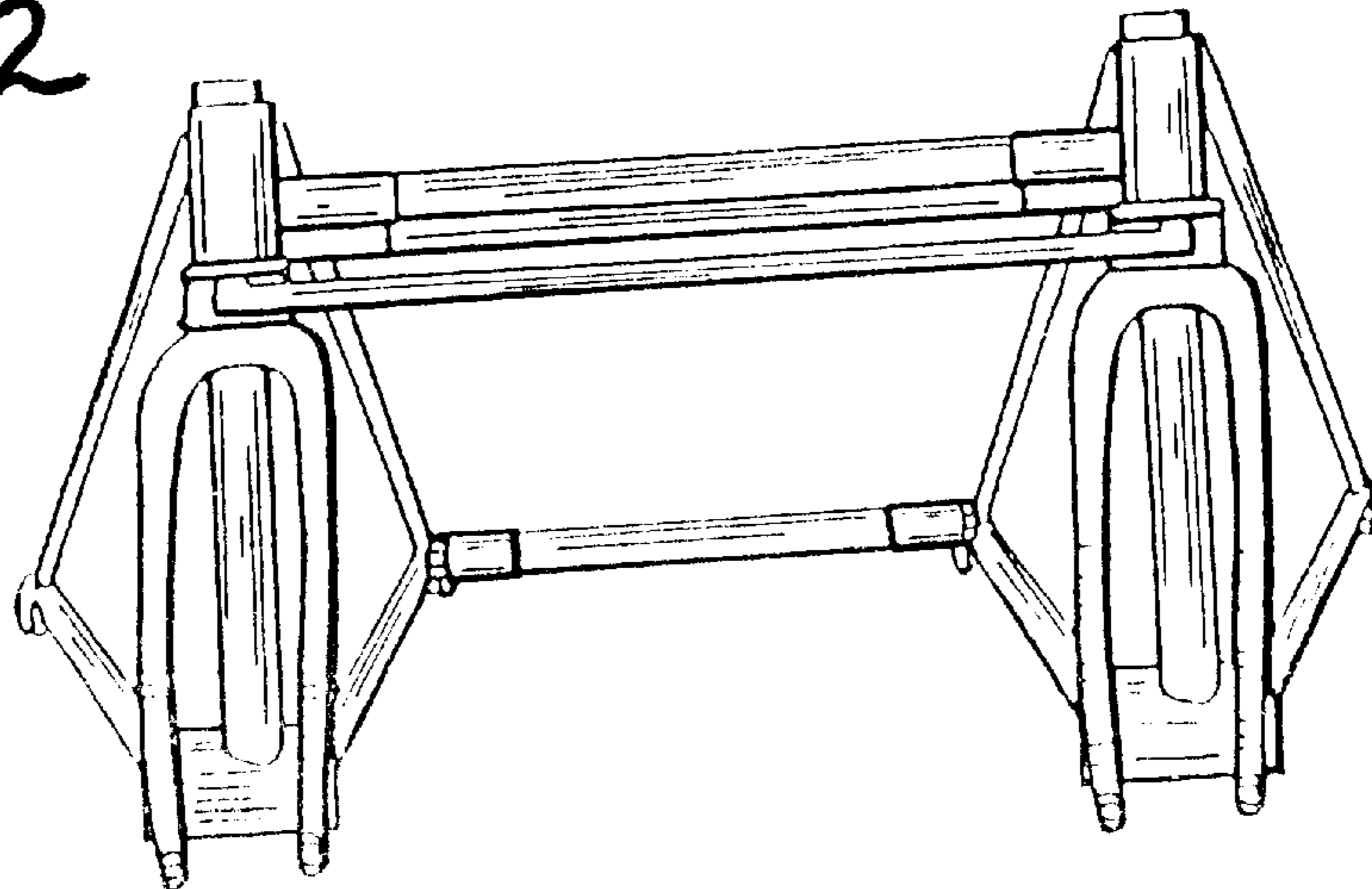


FIG. 3

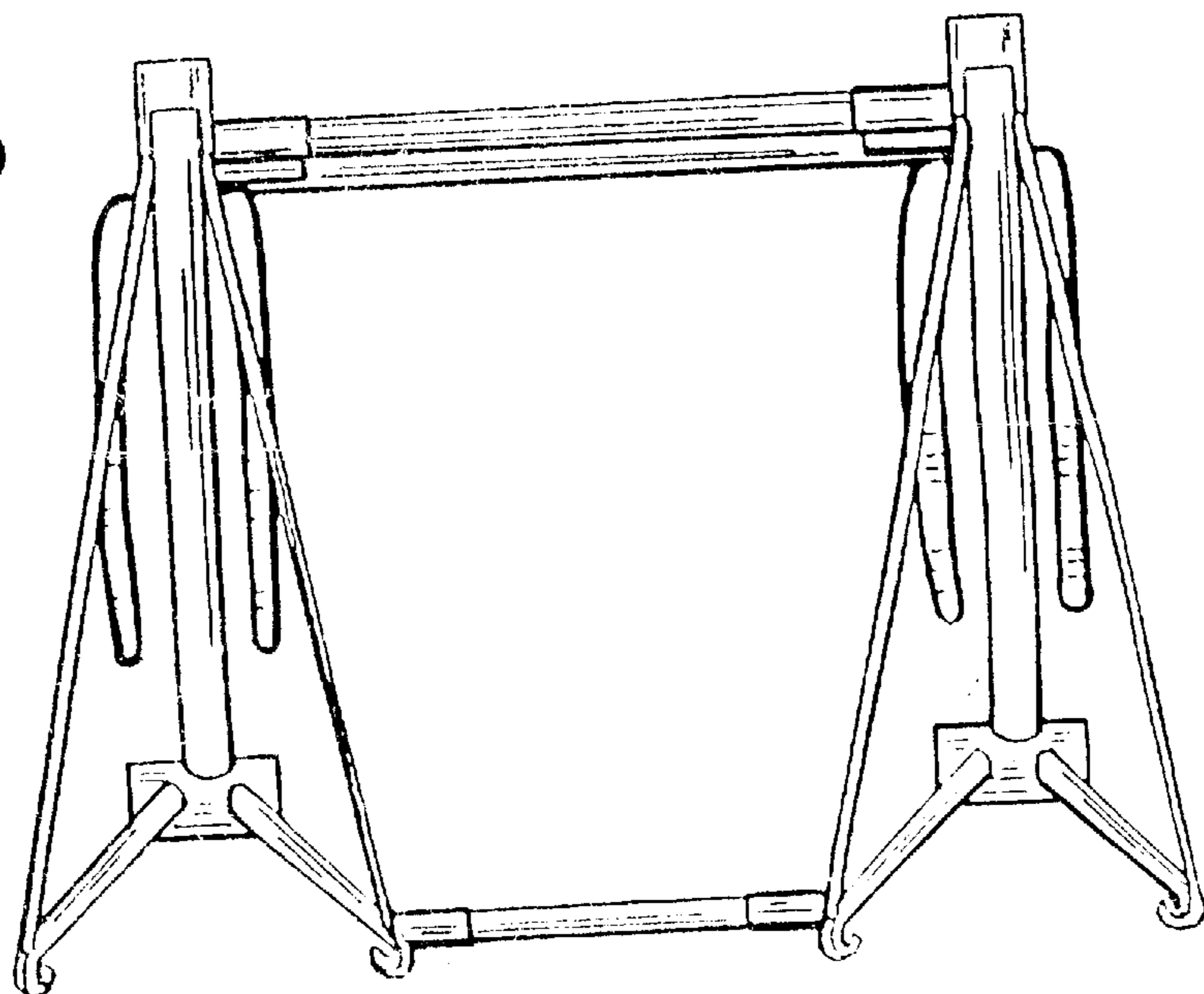


FIG. 4

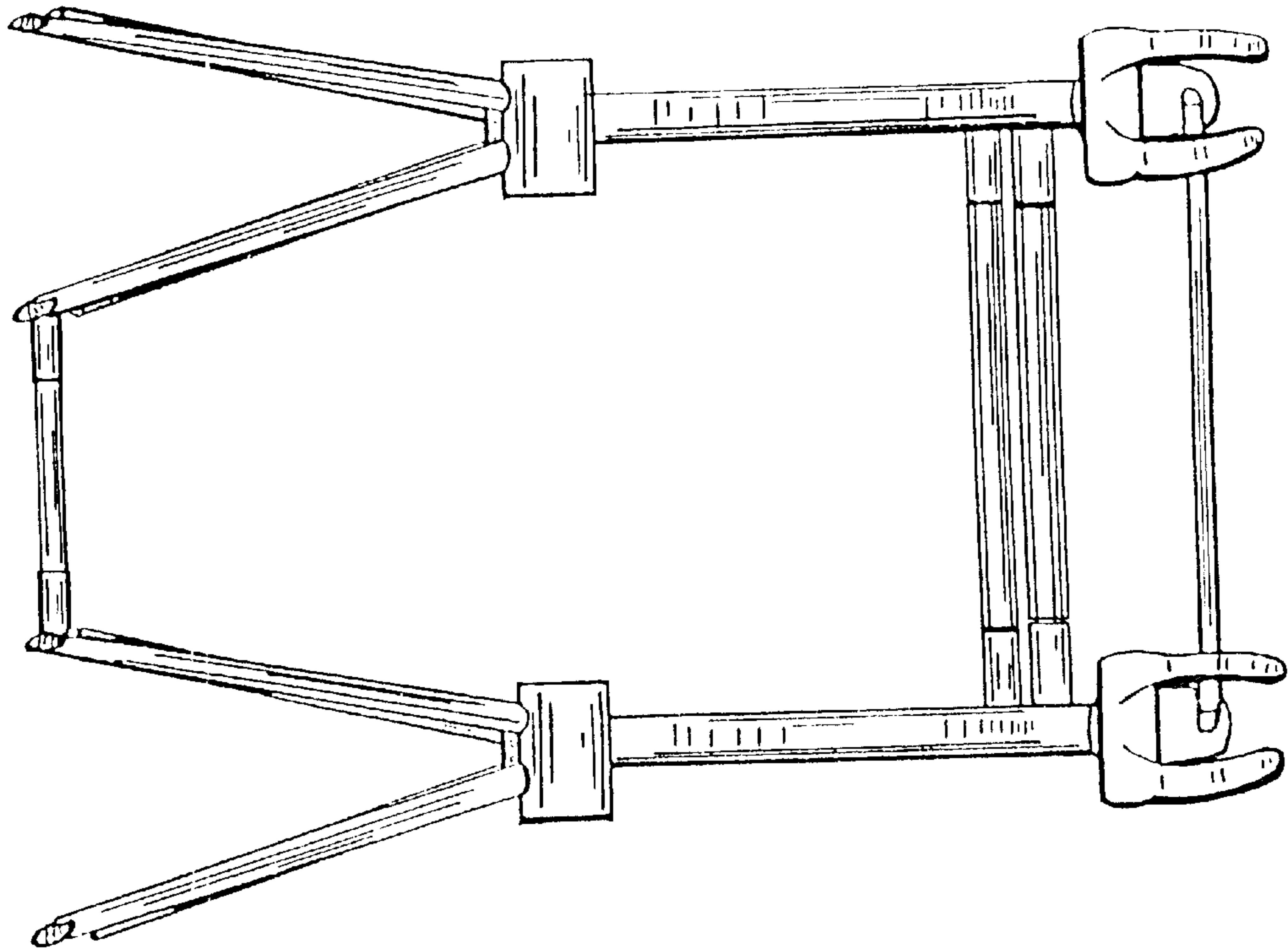


FIG. 5

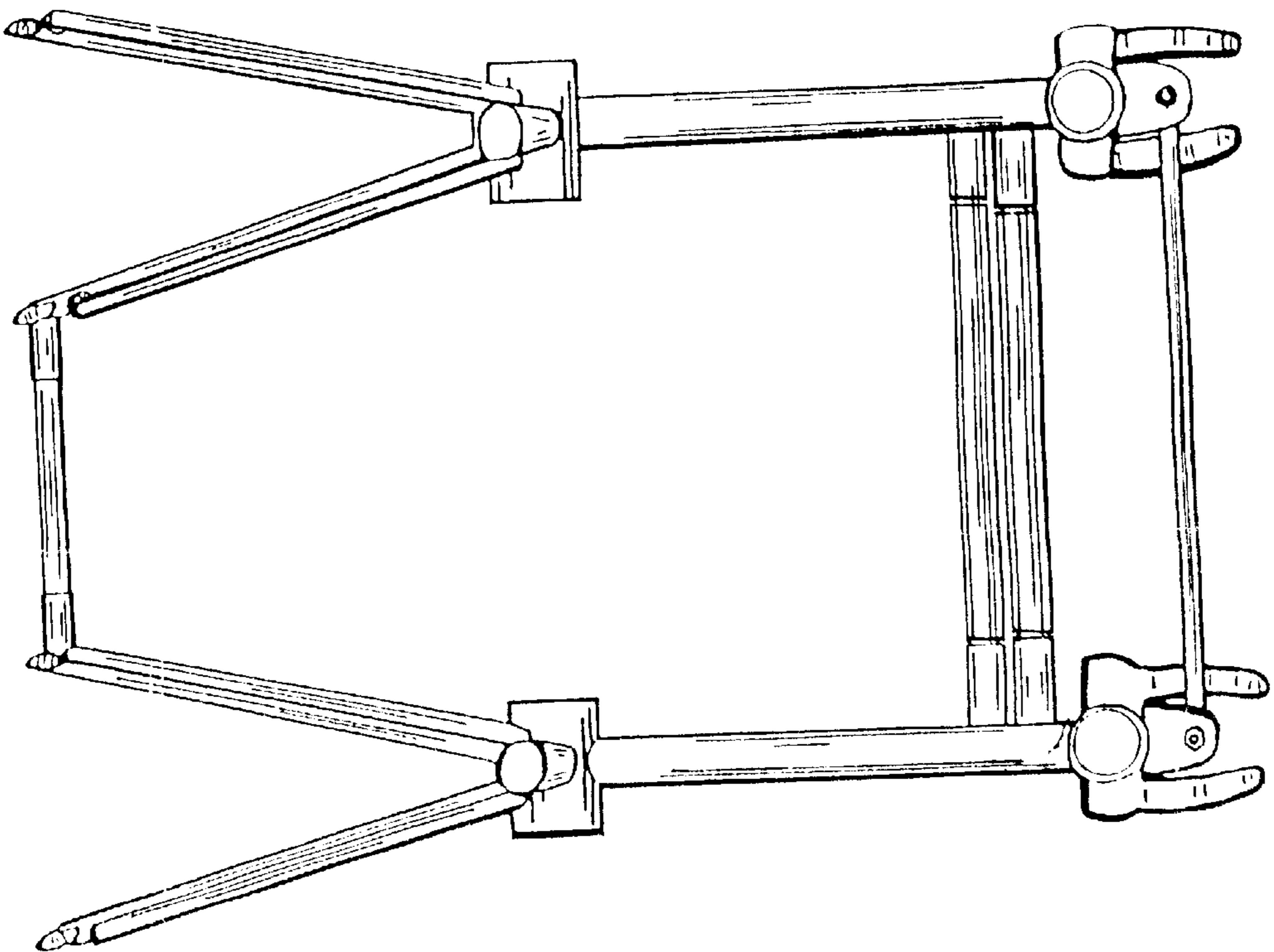


FIG. 6

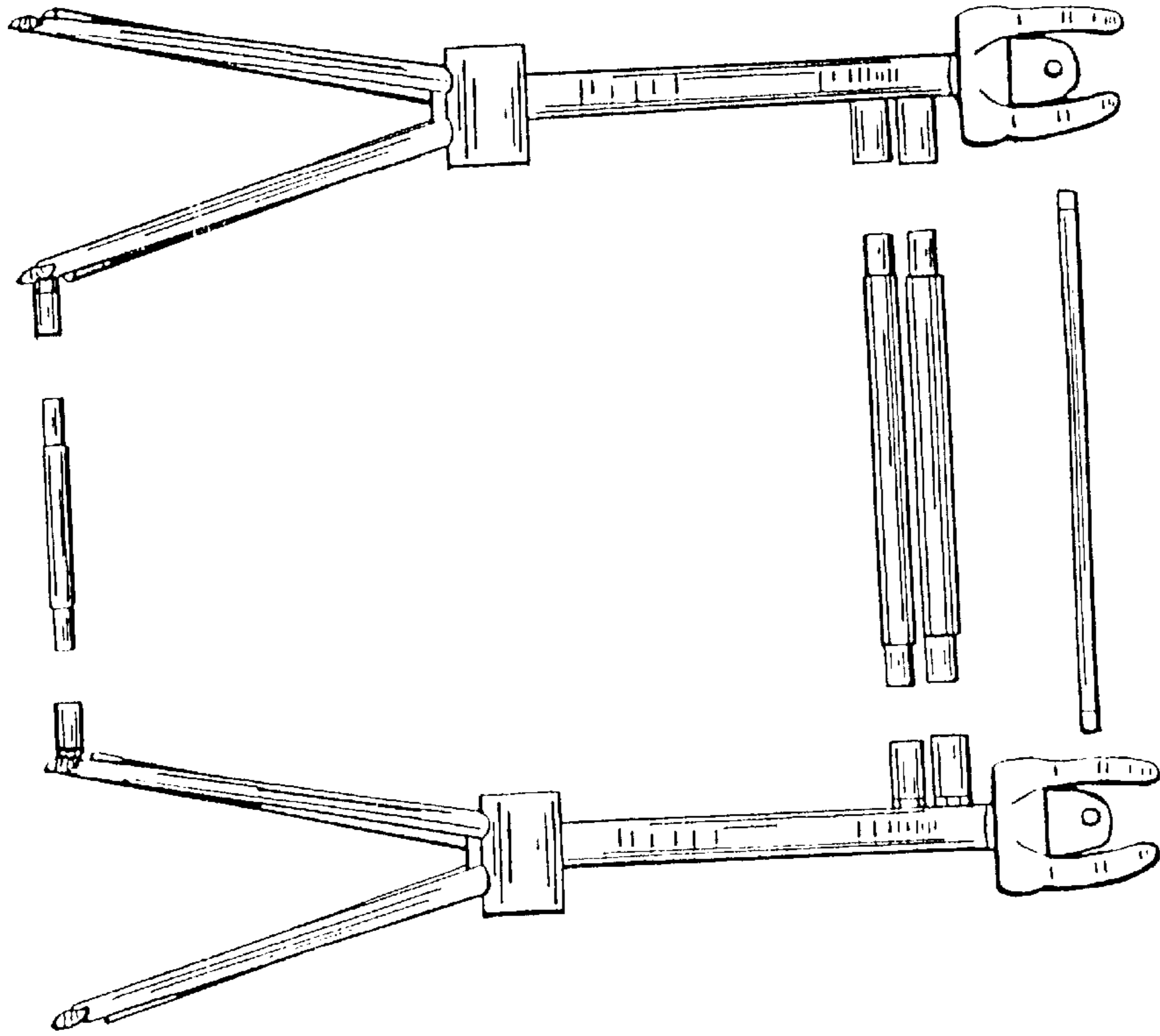


FIG. 7

