



US00D408746S

United States Patent [19]
Jörss

[11] **Patent Number: Des. 408,746**

[45] **Date of Patent: ** Apr. 27, 1999**

[54] **WATCH**

[75] Inventor: **Heike Jörss**, Regensburg, Germany

[73] Assignee: **Watch Tower GmbH**, Regensburg, Germany

[**] Term: **14 Years**

[21] Appl. No.: **29/058,293**

[22] Filed: **Jun. 21, 1996**

[30] **Foreign Application Priority Data**

Dec. 21, 1995 [DE] Germany M 95 10 207

[51] **LOC (6) Cl.** **10-02**

[52] **U.S. Cl.** **D10/33; D10/6**

[58] **Field of Search** D10/1-40, 122-132;
368/280-282, 276-277, 285

[56] **References Cited**

U.S. PATENT DOCUMENTS

D. 338,239 8/1993 Hochfeld D19/82

D. 349,244 8/1994 Hersch D10/6 X

D. 365,523 12/1995 Schena D10/6

Primary Examiner—Nelson C. Holtje

Attorney, Agent, or Firm—Evenson, McKeown, Edwards & Lenahan, PLLC

[57] **CLAIM**

The ornamental design for a watch, as shown and described.

DESCRIPTION

FIG. 1 is a top plan view of a watch according to my invention, shown attached to a watchband, in open position;

FIG. 2 is a bottom plan view thereof;

FIG. 3 is a right side elevational view thereof;

FIG. 4 is a left side elevational view thereof;

FIG. 5 is a rear elevational view thereof;

FIG. 6 is a front elevational view thereof;

FIG. 7 is a top plan view thereof, in closed position;

FIG. 8 is a bottom plan view thereof, in closed position;

FIG. 9 is a right side elevational view thereof, in closed position;

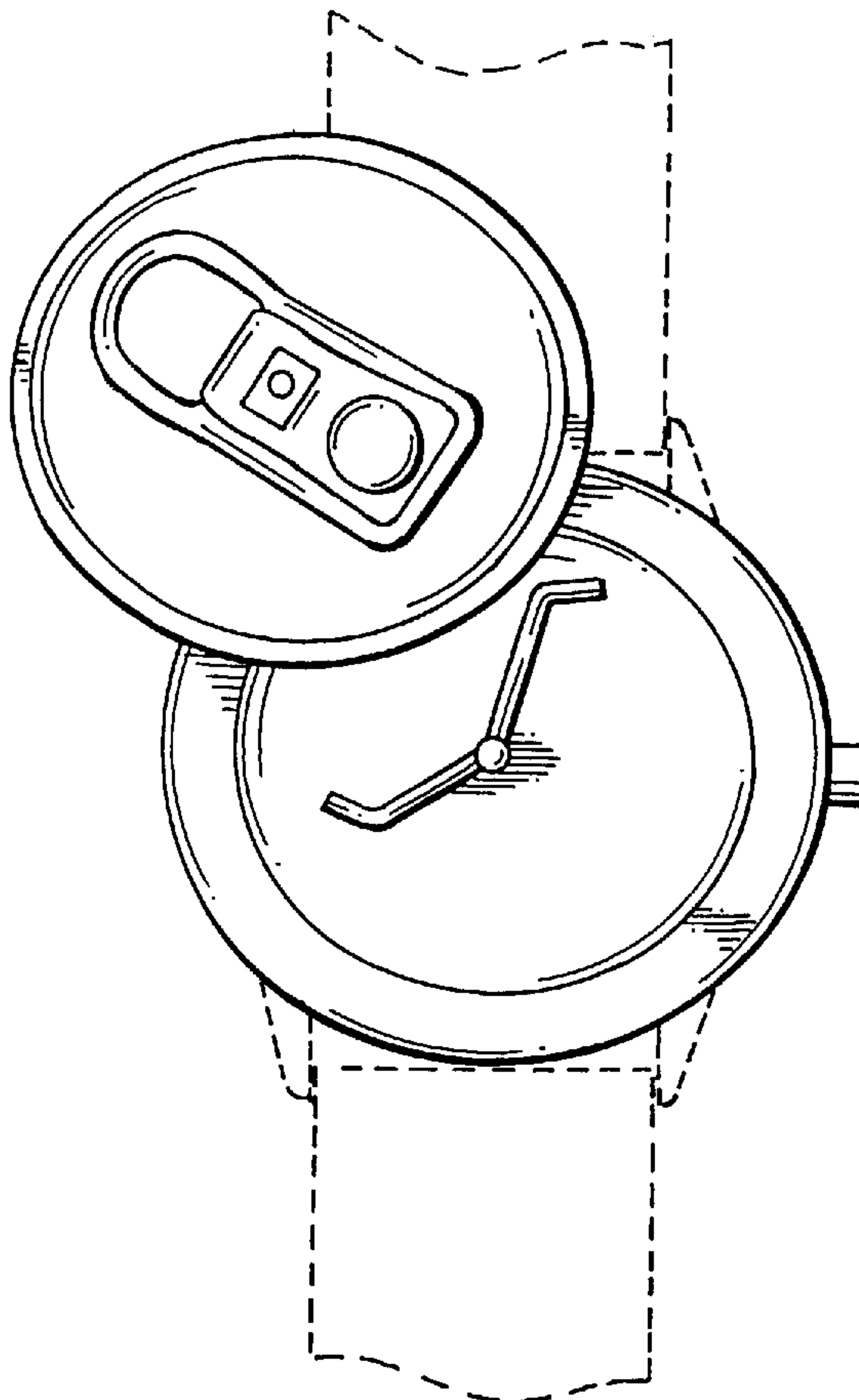
FIG. 10 is a left side elevational view thereof, in closed position;

FIG. 11 is a rear elevational view thereof, in closed position; and,

FIG. 12 is a front elevational view thereof, in closed position.

The broken line showings of watchbands and attachment ears are for illustrative purposes only and forms no part of the claimed design.

1 Claim, 4 Drawing Sheets



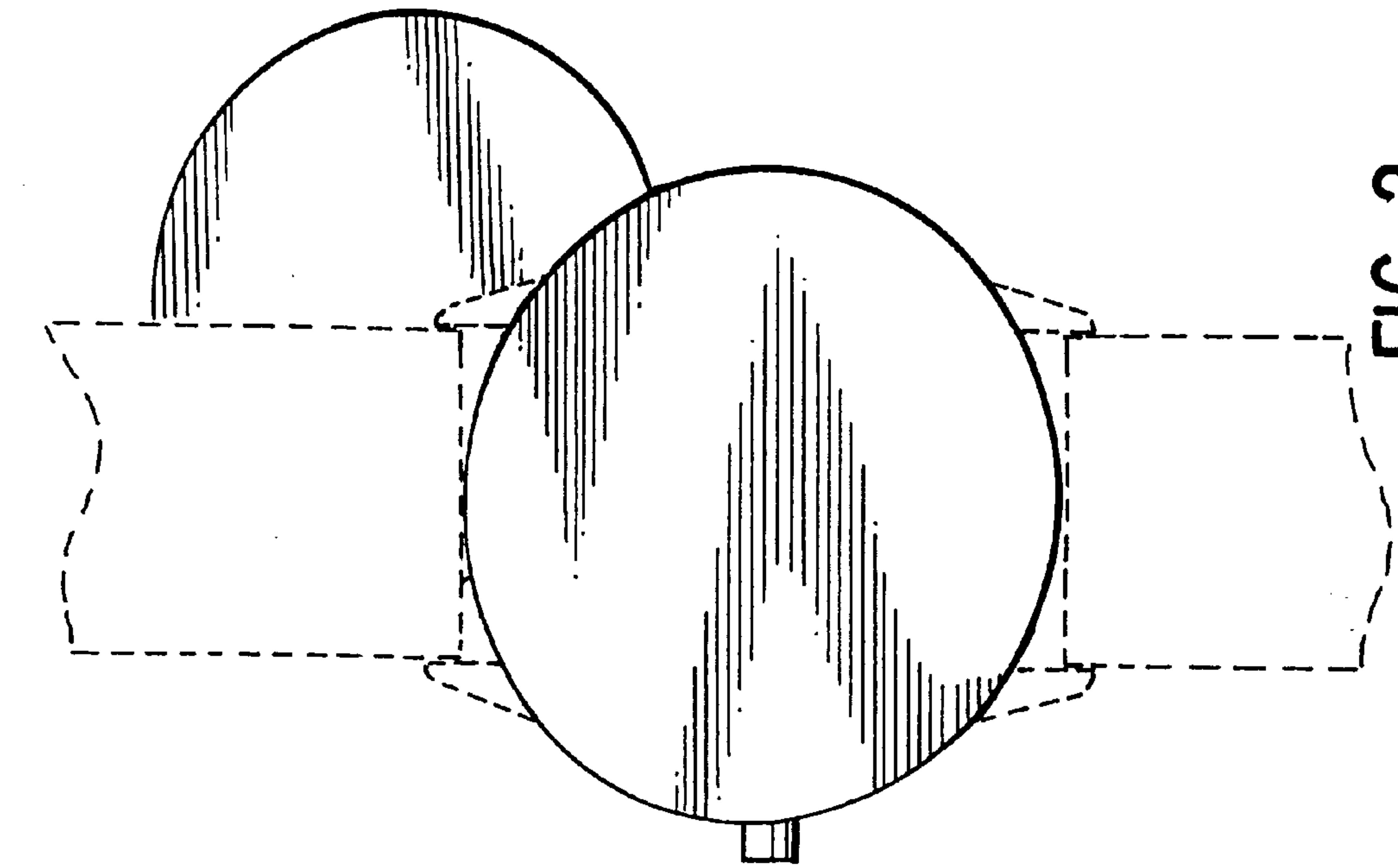


FIG. 1

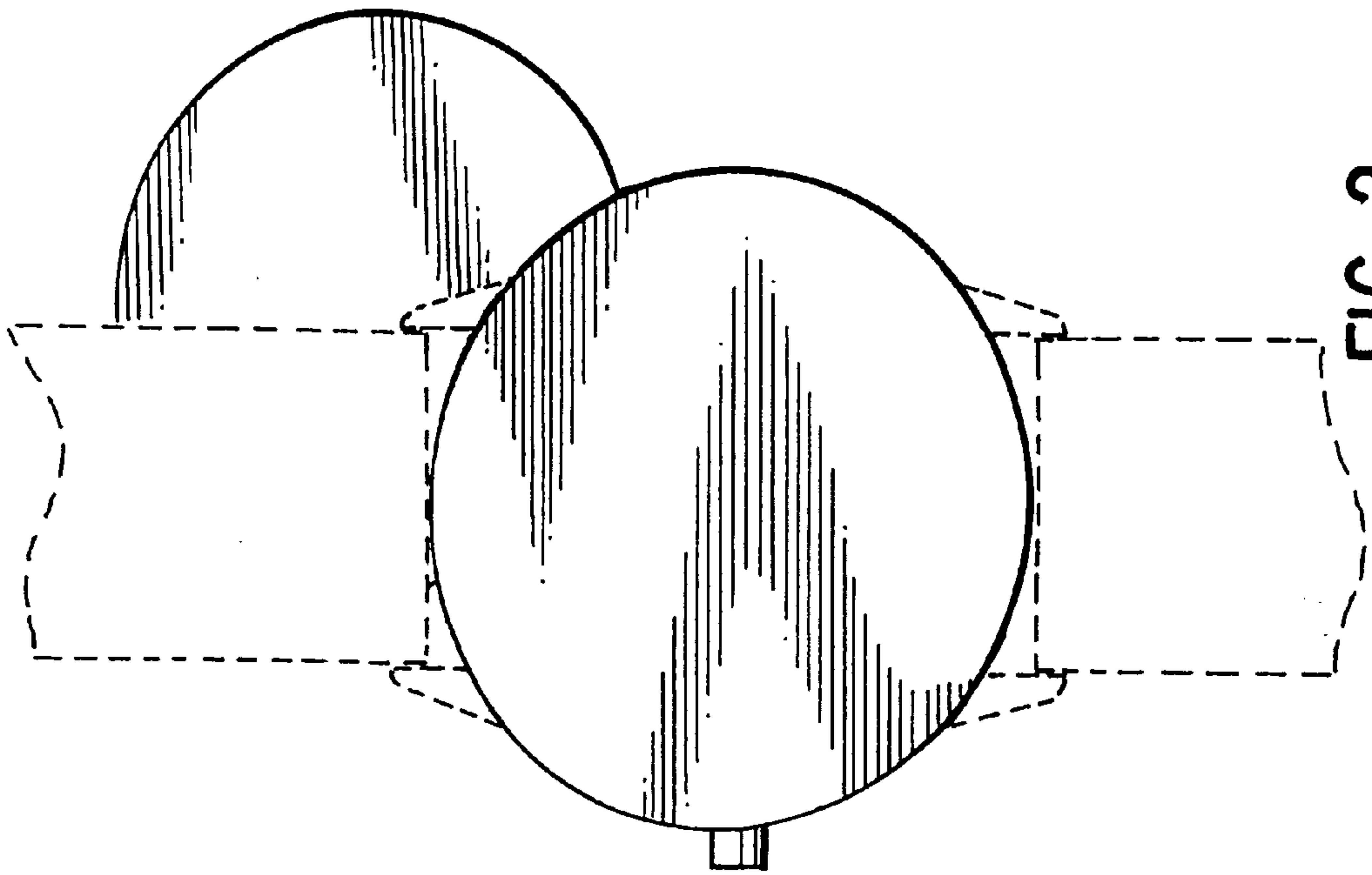


FIG. 2

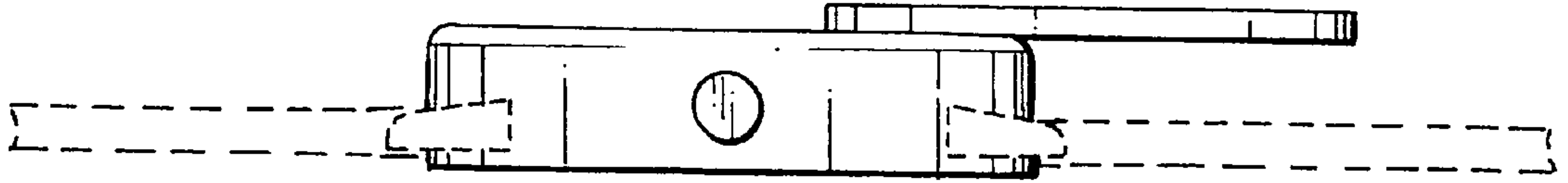


FIG. 3

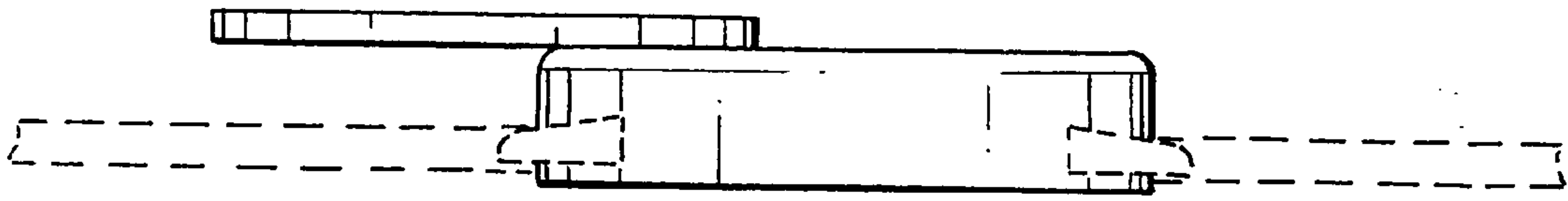


FIG. 4

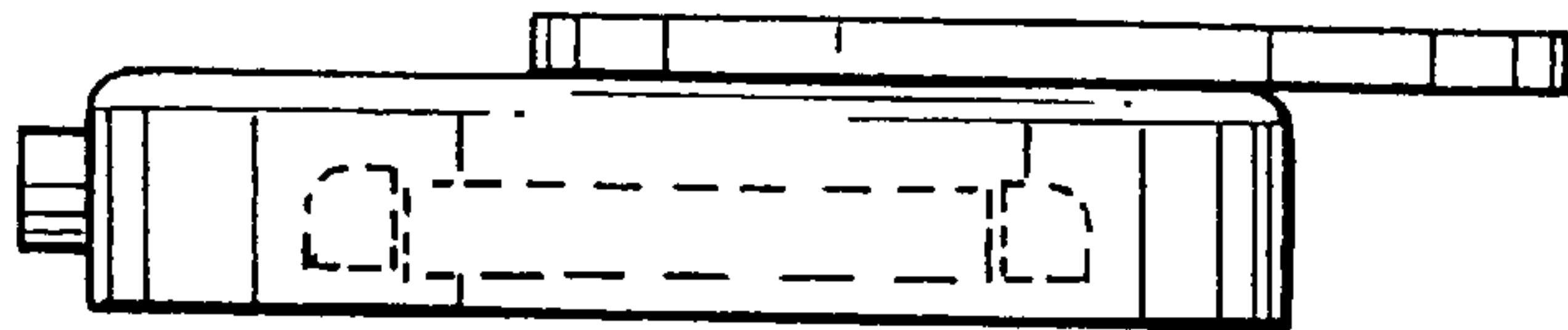


FIG. 5

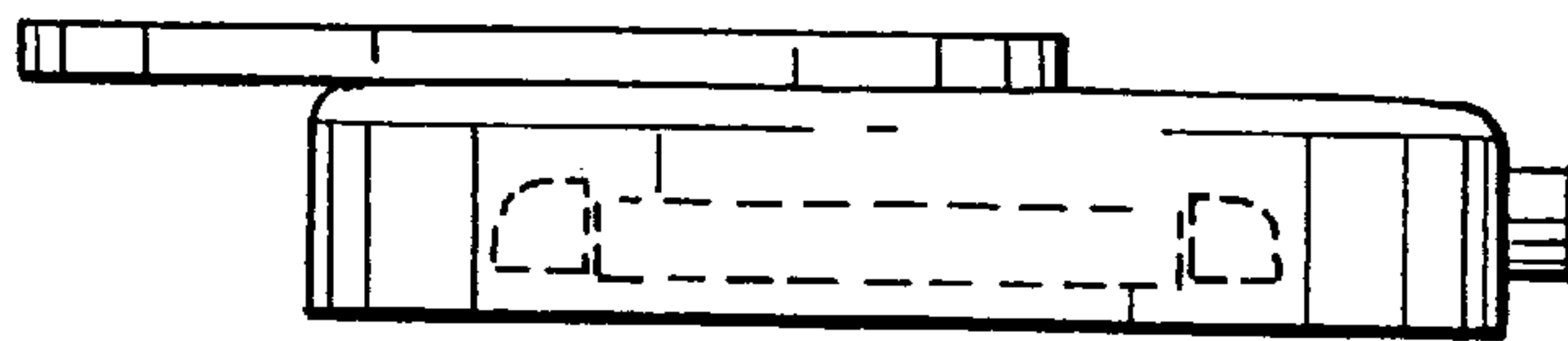


FIG. 6

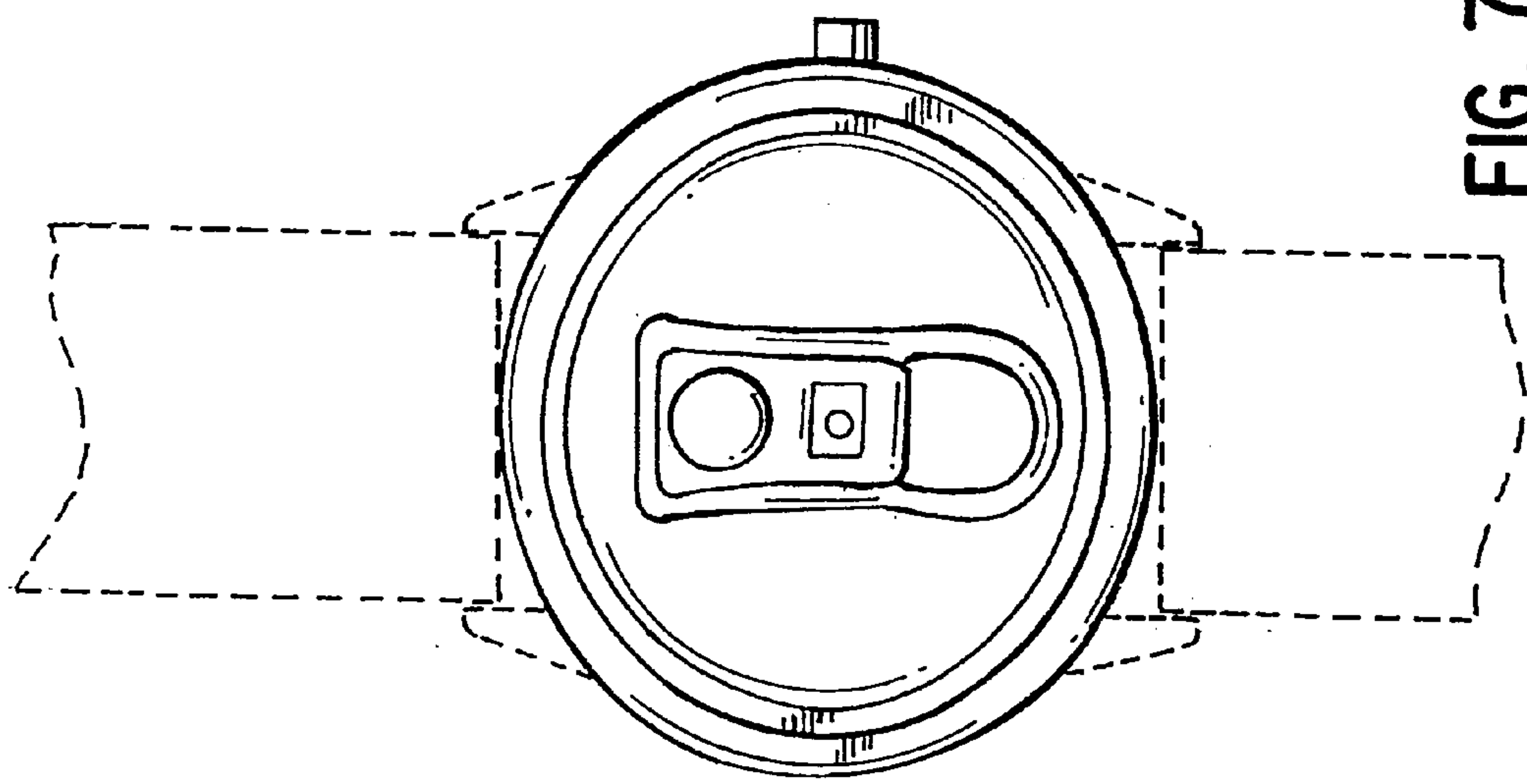


FIG. 7

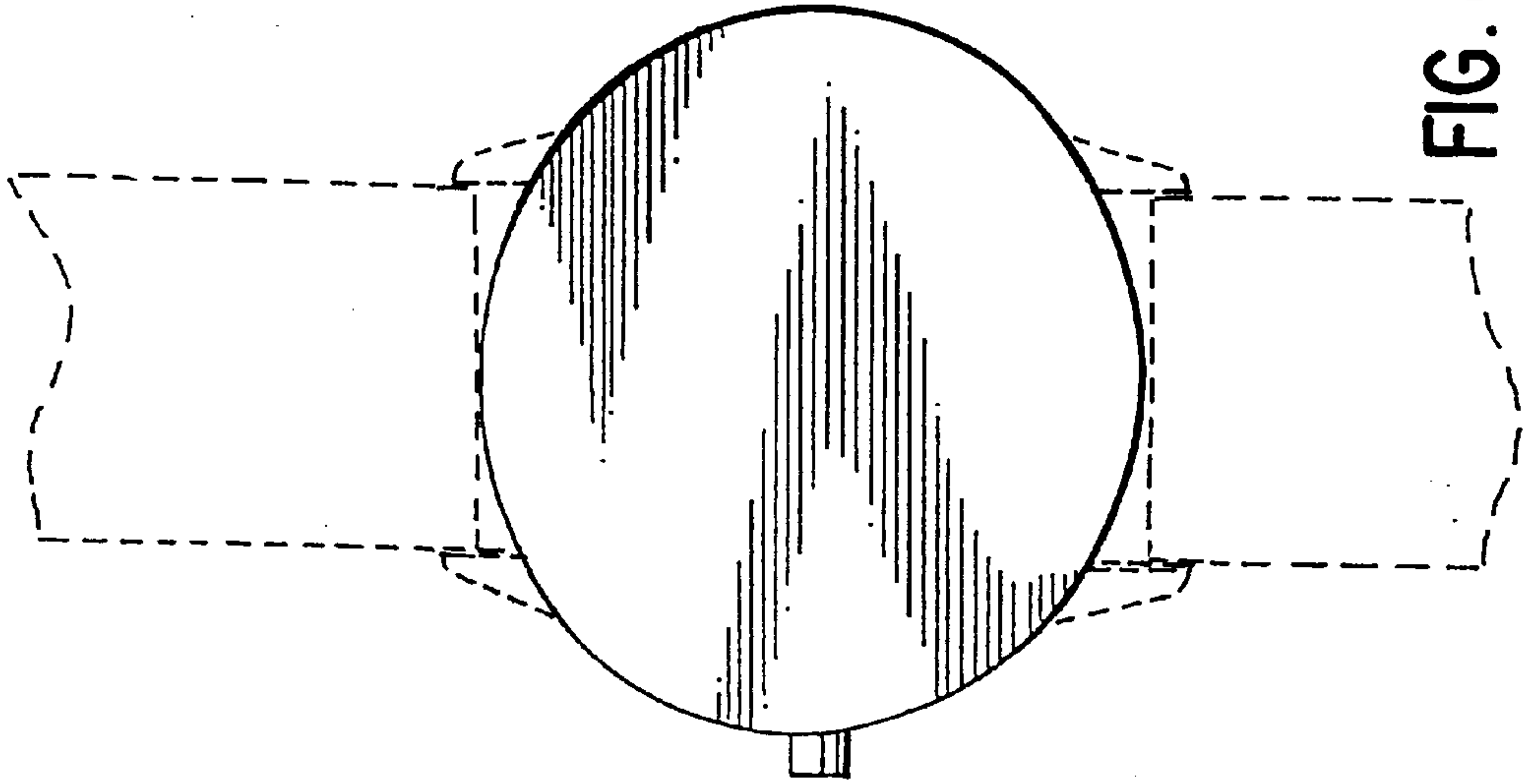


FIG. 8

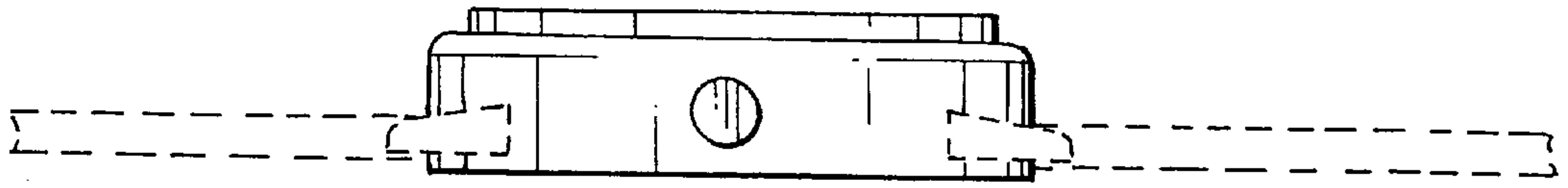


FIG. 9

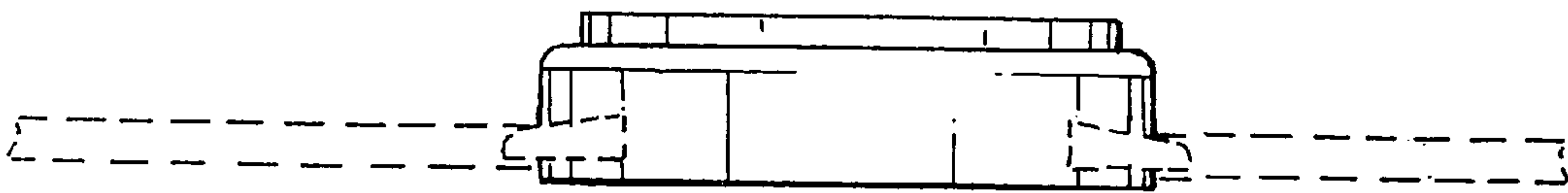


FIG. 10

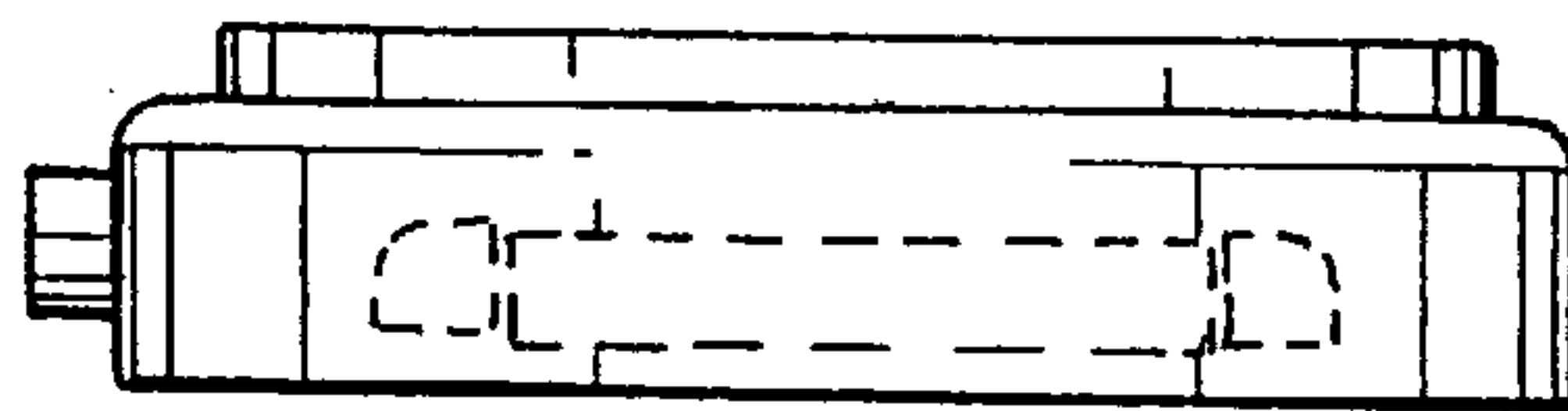


FIG. 11

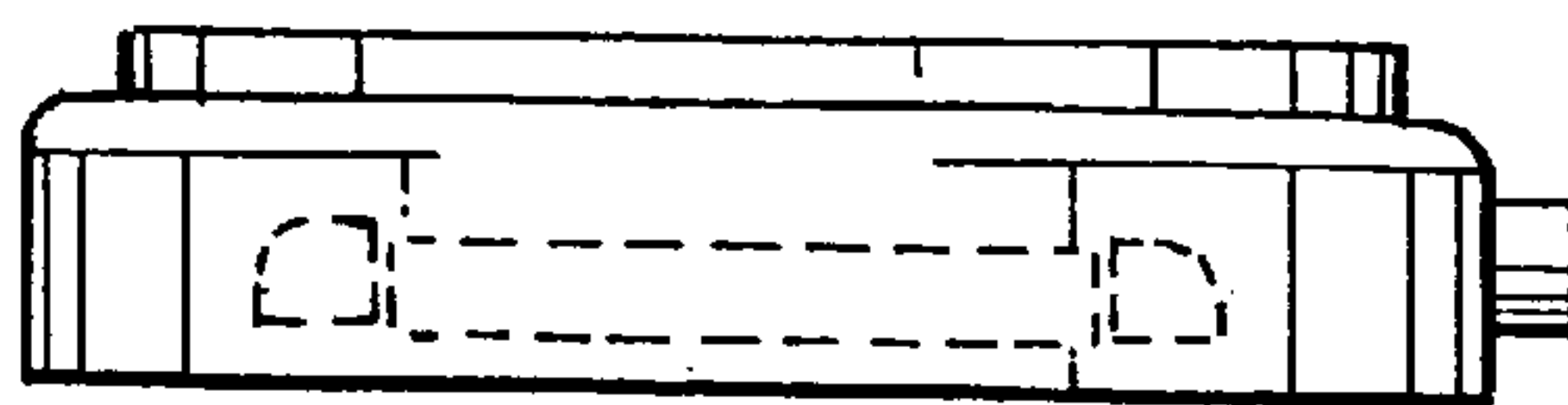


FIG. 12