



US00D408744S

# United States Patent [19] Suzuki

[11] **Patent Number: Des. 408,744**

[45] **Date of Patent: \*\*Apr. 13, 1999**

[54] **CLOCK**

D. 221,976 9/1971 Stolarezyk ..... D10/40  
D. 234,149 1/1975 Rowman .

[75] Inventor: **Hitoshi Suzuki**, Tokyo, Japan

[73] Assignee: **Hiromori, Inc**, Tokyo, Japan

[\*\*] Term: **14 Years**

*Primary Examiner*—Nelson C. Holtje  
*Attorney, Agent, or Firm*—Salter & Michaelson

[21] Appl. No.: **29/088,732**

[22] Filed: **May 29, 1998**

[57] **CLAIM**

The ornamental design for a clock, as shown.

[30] **Foreign Application Priority Data**

Dec. 1, 1997 [HK] The Hong Kong Special Administrative Region of the People's Republic of China ..... 9710555

**DESCRIPTION**

FIG. 1 is a perspective view of a clock showing my new design;

FIG. 2 is a top plan view thereof;

FIG. 3 is a bottom plan view thereof;

FIG. 4 is a left side elevational view thereof;

FIG. 5 is a right side elevational view thereof;

FIG. 6 is a front elevational view thereof; and,

FIG. 7 is a rear elevational view thereof.

[51] **LOC (6) Cl.** ..... **10-01**

[52] **U.S. Cl.** ..... **D10/22; D10/2**

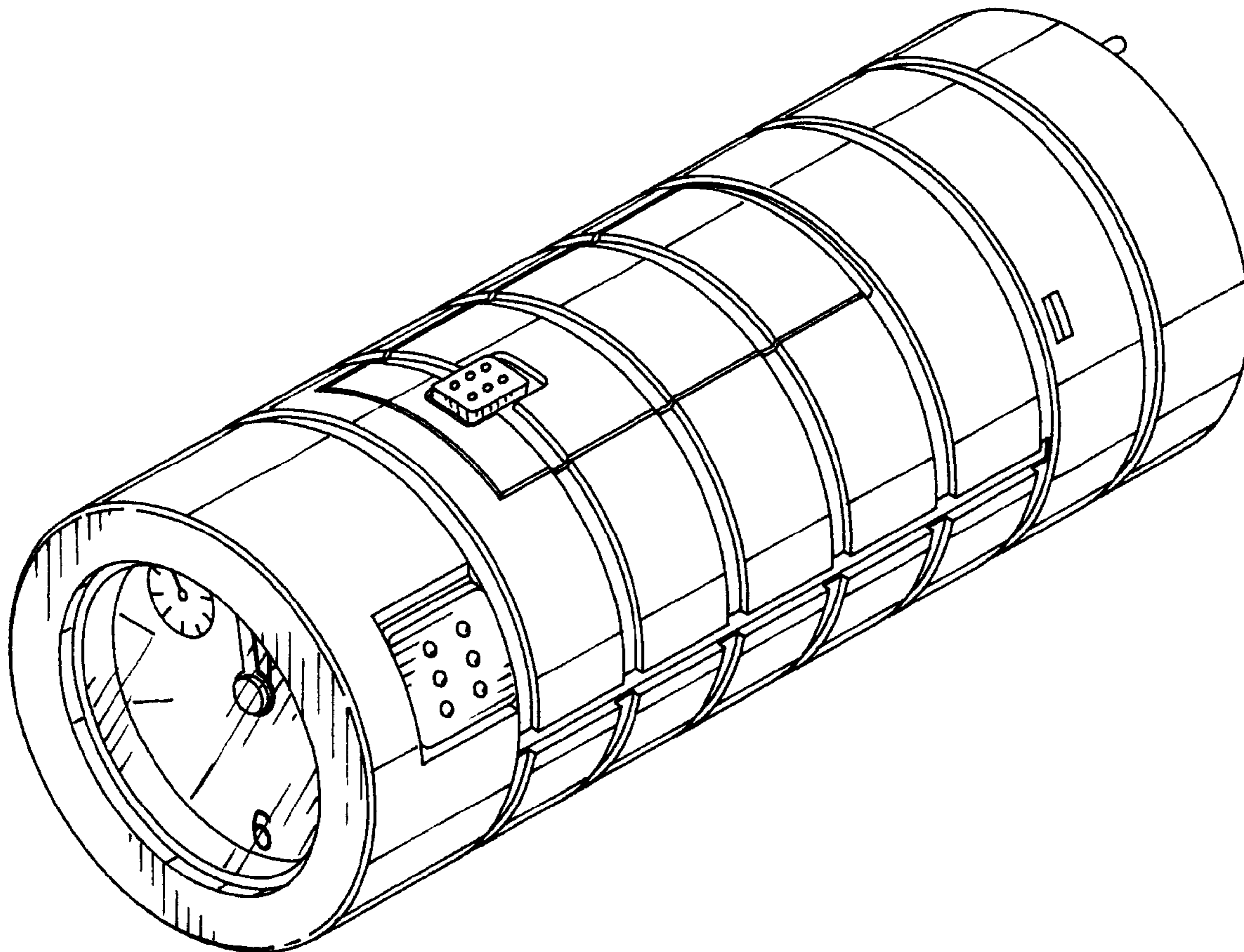
[58] **Field of Search** ..... D10/1-40, 122-132; 368/276-277, 285, 316-317, 10

[56] **References Cited**

**U.S. PATENT DOCUMENTS**

D. 154,687 8/1949 Lambert ..... D10/31

**1 Claim, 3 Drawing Sheets**



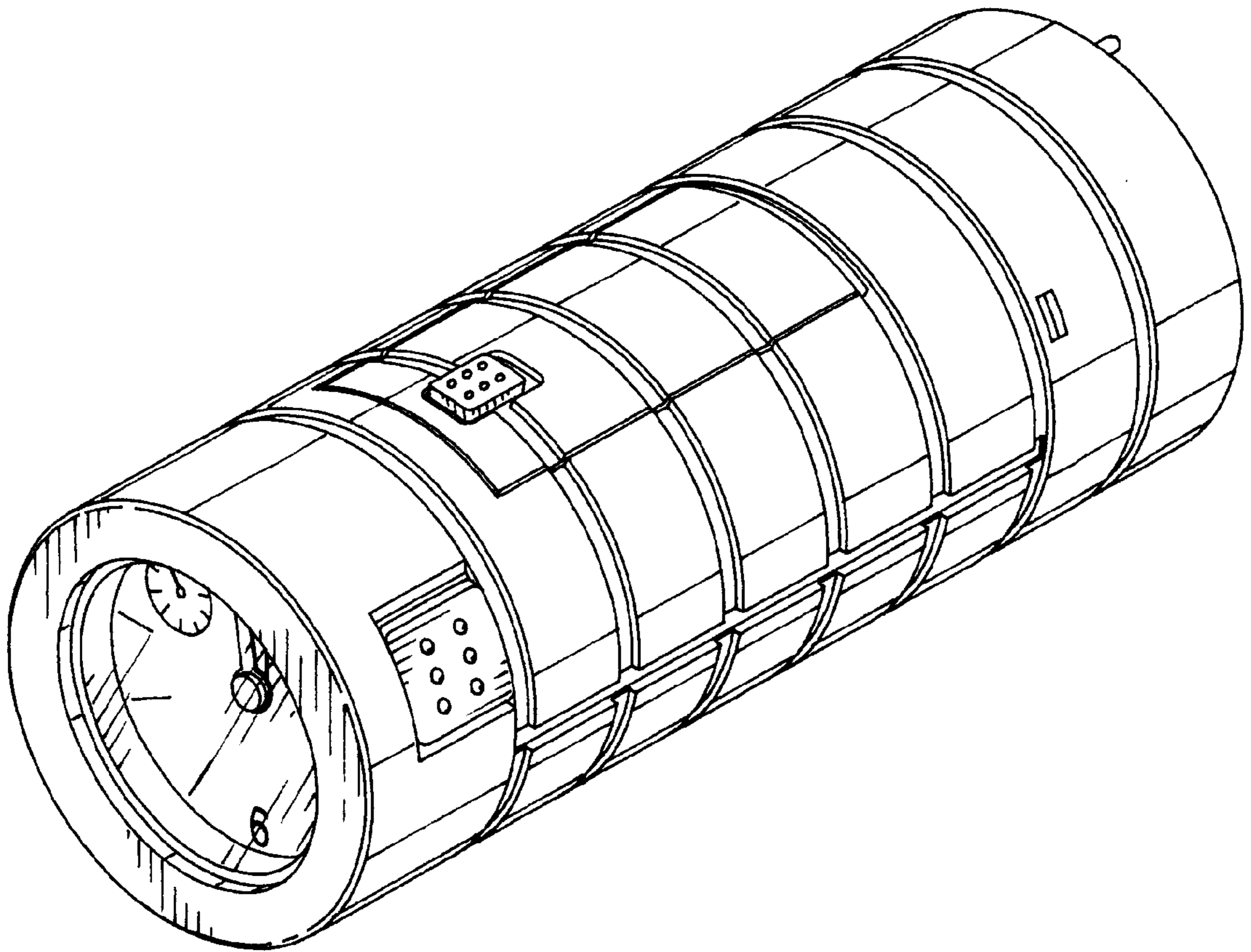


FIG. 1

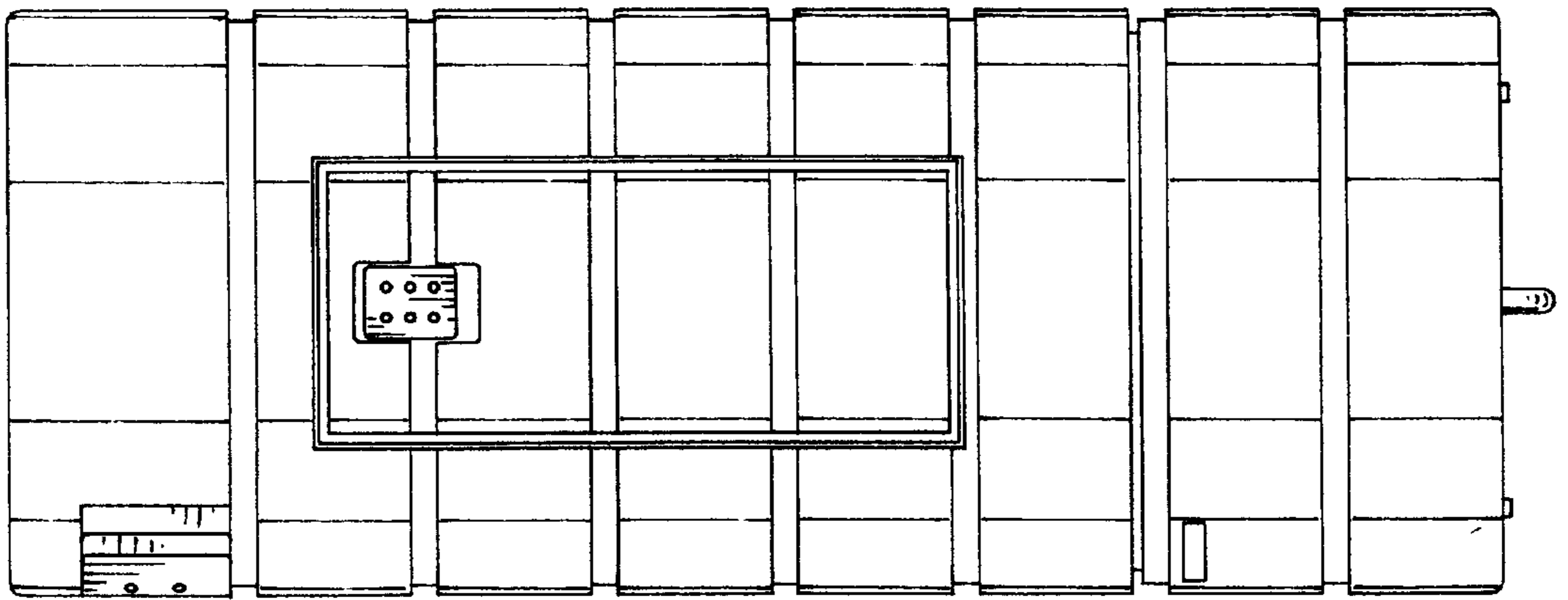


FIG. 2

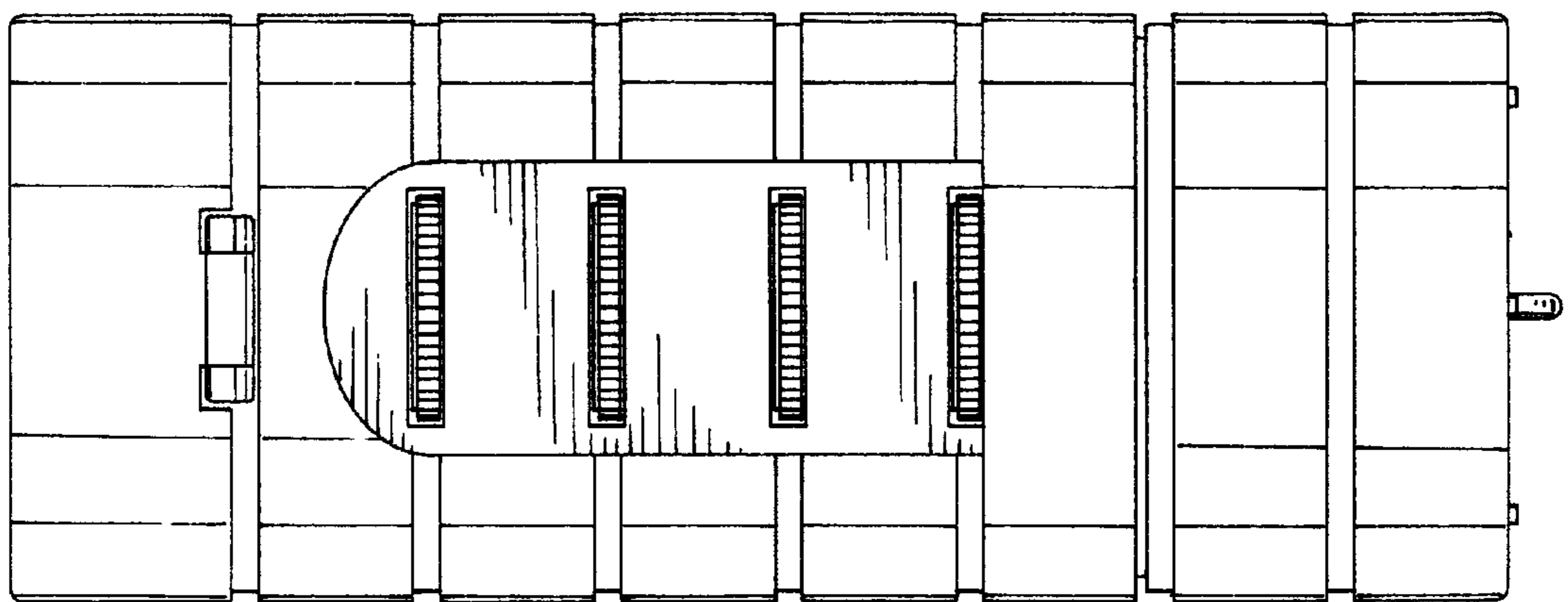


FIG. 3

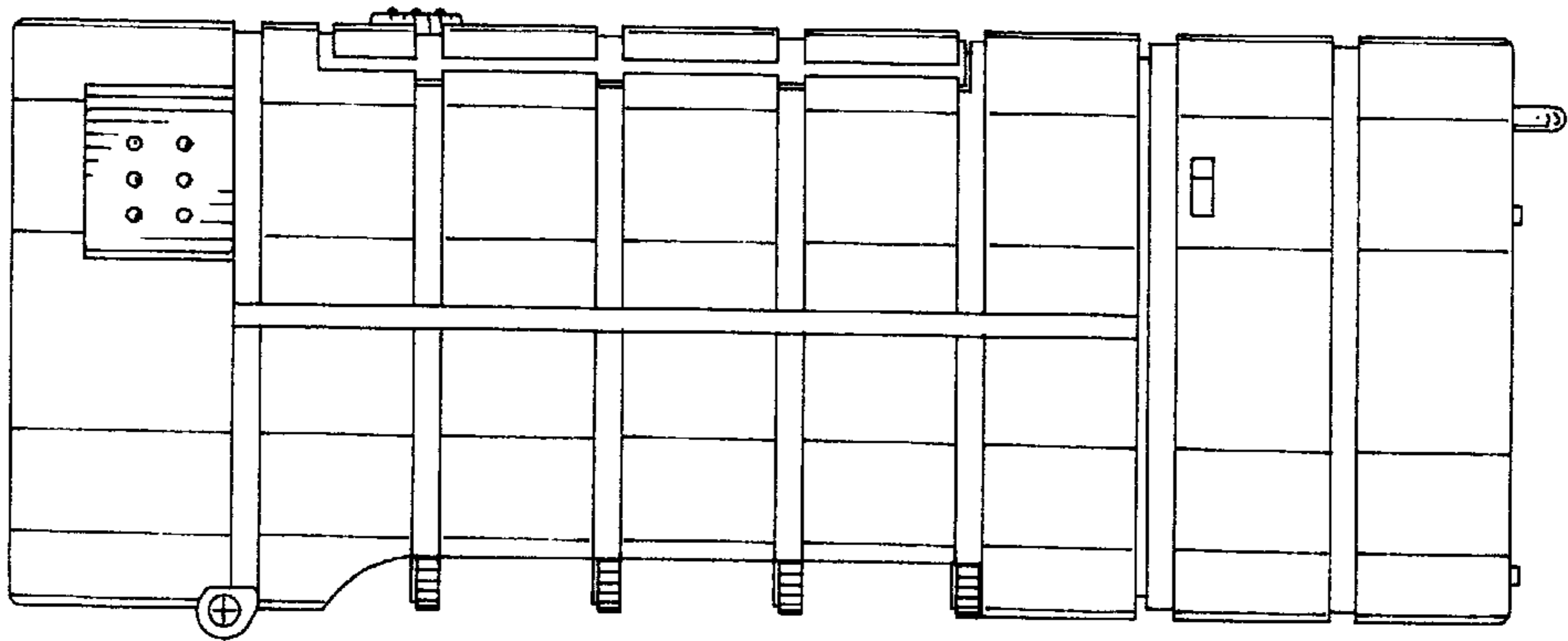


FIG. 4

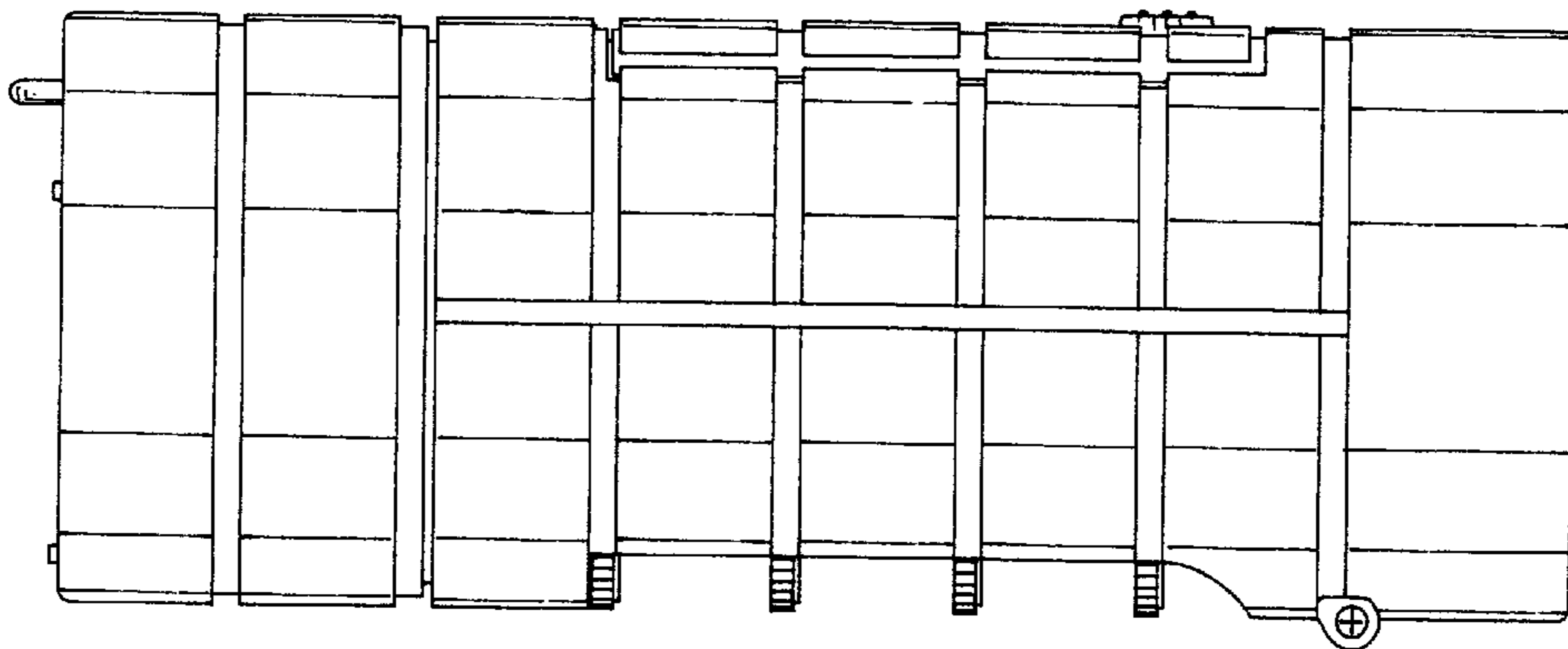


FIG. 5

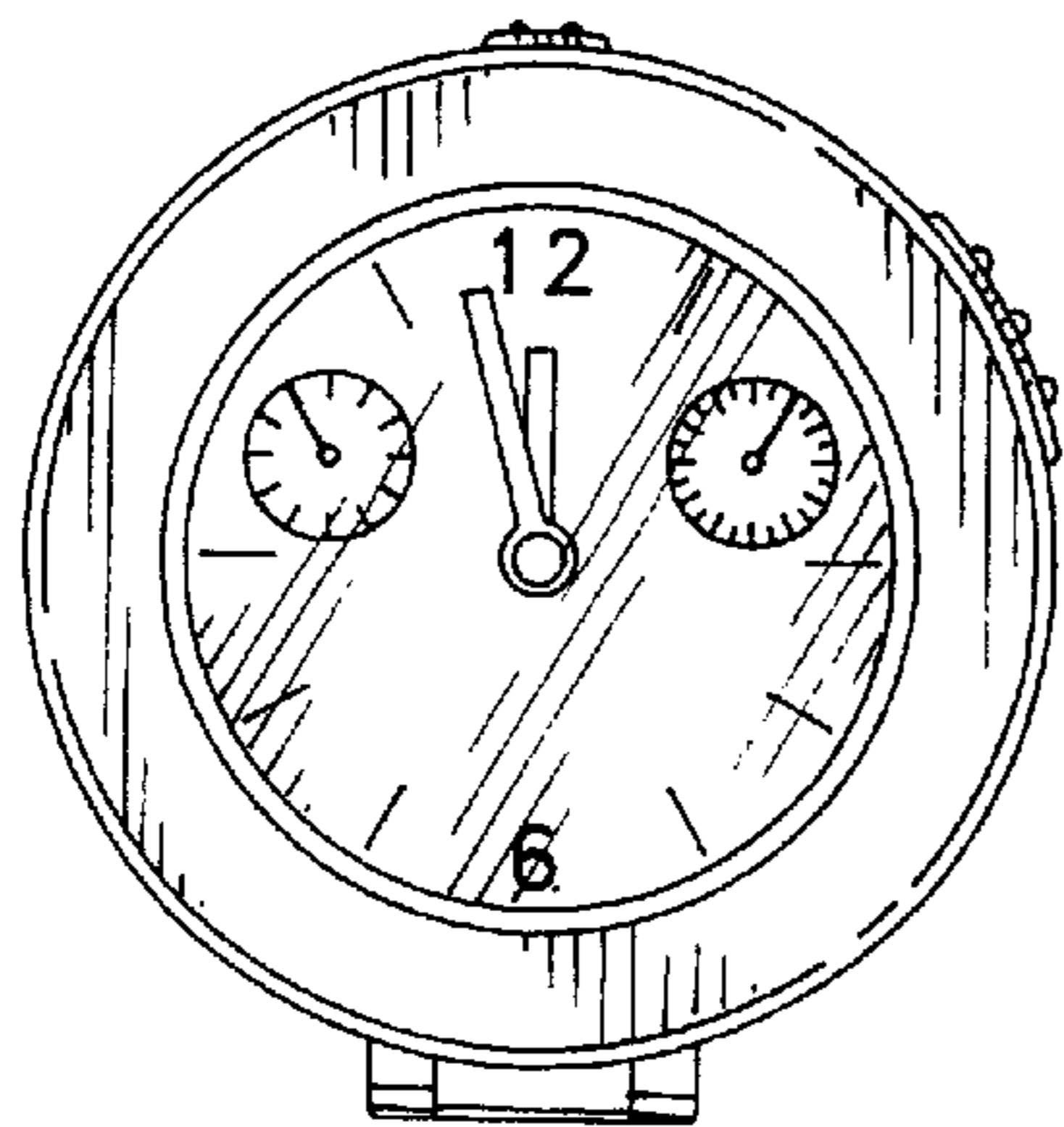


FIG. 6

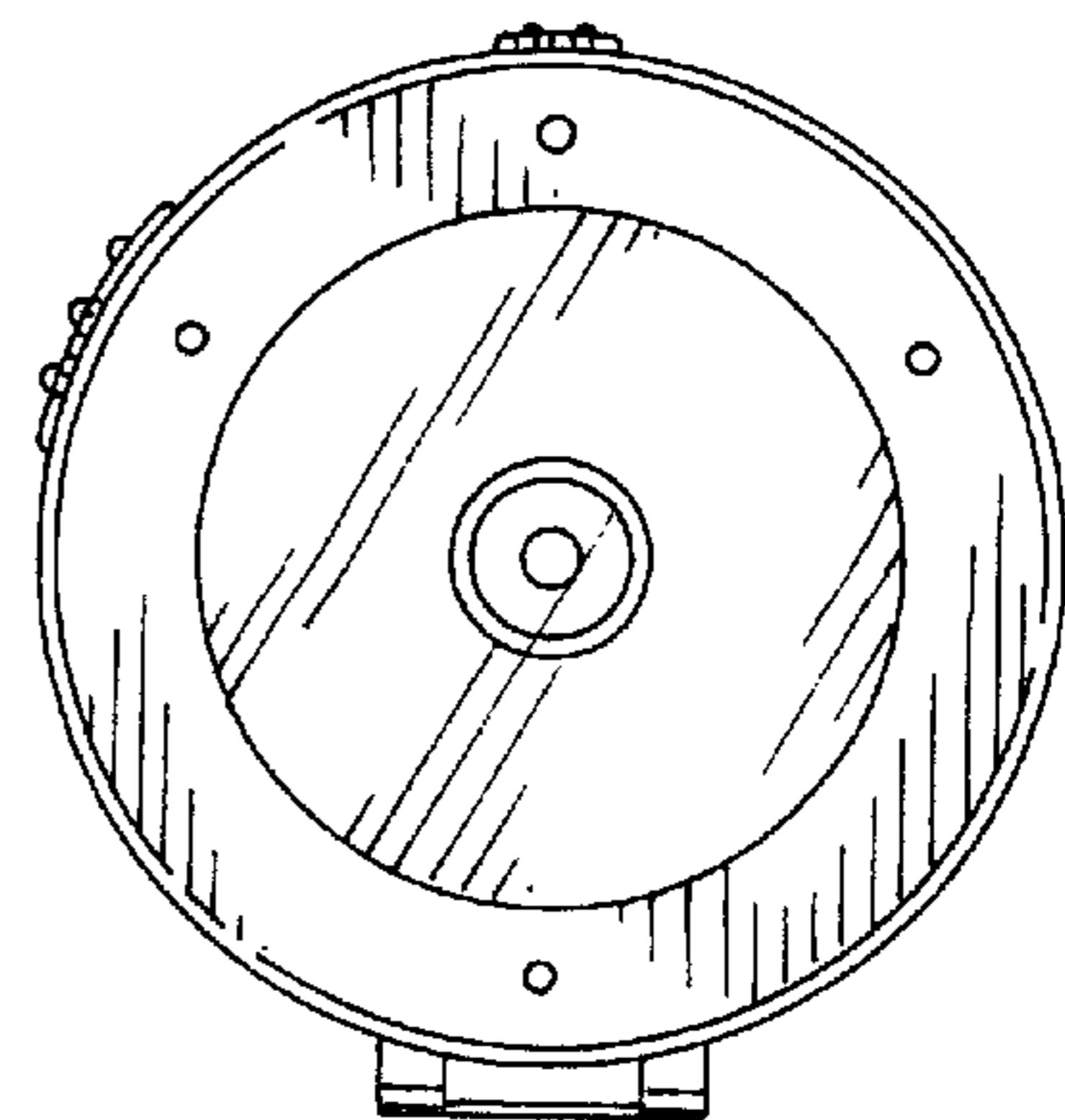


FIG. 7