

US00D408737S

**United States Patent** [19]  
**Warren, Jr.**

[11] **Patent Number: Des. 408,737**  
[45] **Date of Patent: \*\* Apr. 27, 1999**

[54] **LAND FOR ROLL SUPPORT**

D. 364,814 12/1995 Laib ..... D9/456  
5,161,703 11/1992 Patton ..... 211/59.4

[75] Inventor: **Robb A. Warren, Jr.**, Appleton, Wis.

*Primary Examiner*—James Gandy  
*Assistant Examiner*—Cathron B. Matta  
*Attorney, Agent, or Firm*—Andrus, Scales, Starke & Sawall

[73] Assignee: **Great Northern Corporation**,  
Appleton, Wis.

[\*\*] Term: **14 Years**

[57] **CLAIM**

[21] Appl. No.: **29/079,042**

The ornamental design for a land for roll support, as shown and described.

[22] Filed: **Nov. 7, 1997**

**Related U.S. Application Data**

**DESCRIPTION**

[63] Continuation of application No. 29/063,237, Dec. 2, 1996.

FIG. 1 is an isometric view of a land for roll support in accordance with present invention;

[51] **LOC (6) Cl.** ..... **09-07**

FIG. 2 is a top plan view showing the land for the roll support of FIG. 1, the bottom plan view being a mirror image thereof;

[52] **U.S. Cl.** ..... **D9/456**

[58] **Field of Search** ..... D9/434, 456, 457,  
D9/499; 206/391, 496, 499; 211/59.4, 73,  
85.5; 220/500

FIG. 3 is a side elevational view showing the land for roll support of FIG. 1, the opposite side elevational view being a mirror image thereof;

[56] **References Cited**

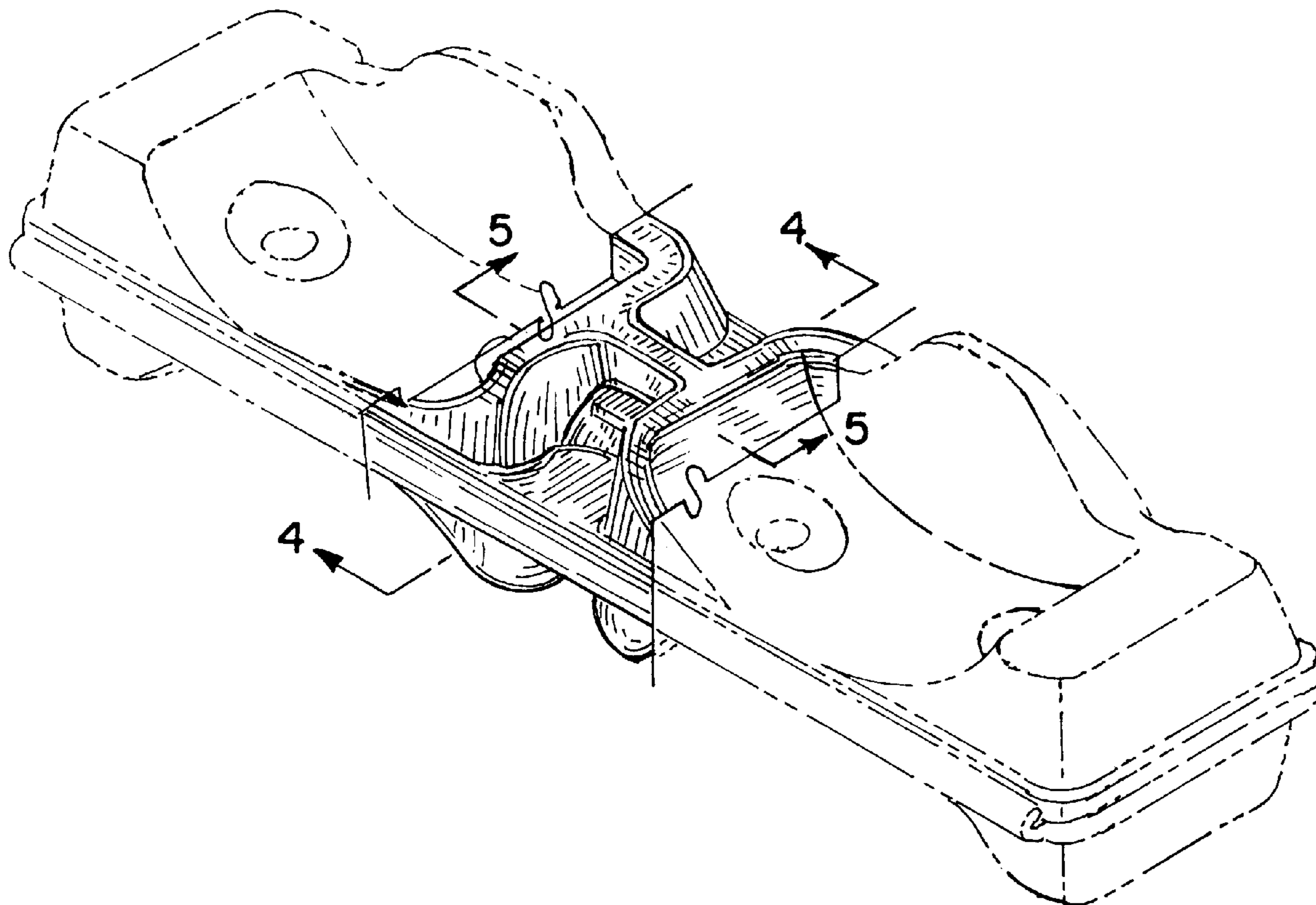
FIG. 4 is a cross-sectional view, shown at a larger scale, of the land for roll support of FIG. 1 taken along line 4—4 of FIG. 1; and,

**U.S. PATENT DOCUMENTS**

D. 172,664 7/1954 Emery ..... D9/456  
D. 246,491 11/1977 D'Alo ..... D9/456 X  
D. 301,013 5/1989 Creaden ..... D9/456  
D. 332,571 1/1993 Creaden ..... D9/456

FIG. 5 is a cross-sectional view, shown at a larger scale, of the land for roll support of FIG. 1 taken along line 5—5 of FIG. 1.

**1 Claim, 2 Drawing Sheets**



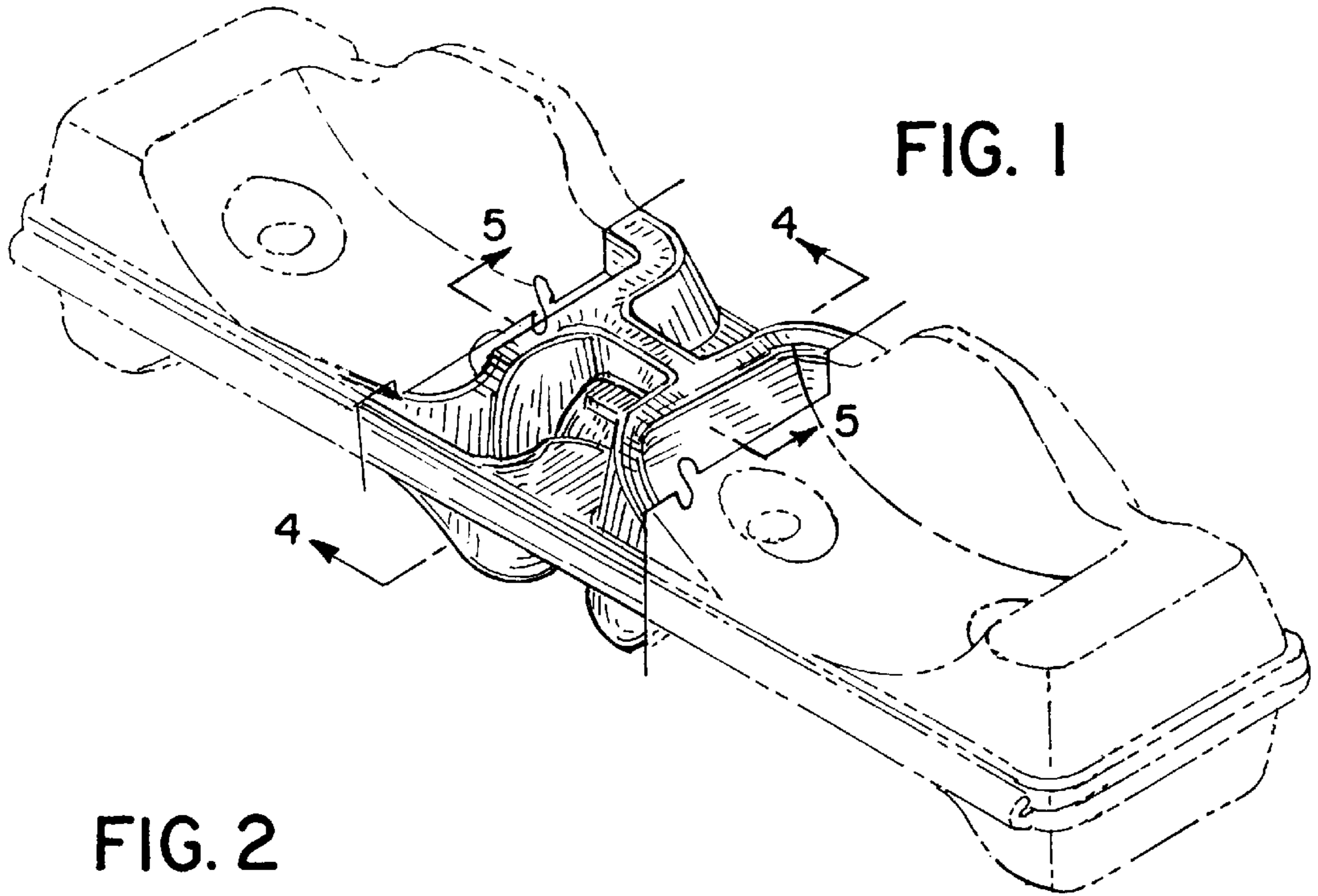


FIG. 2

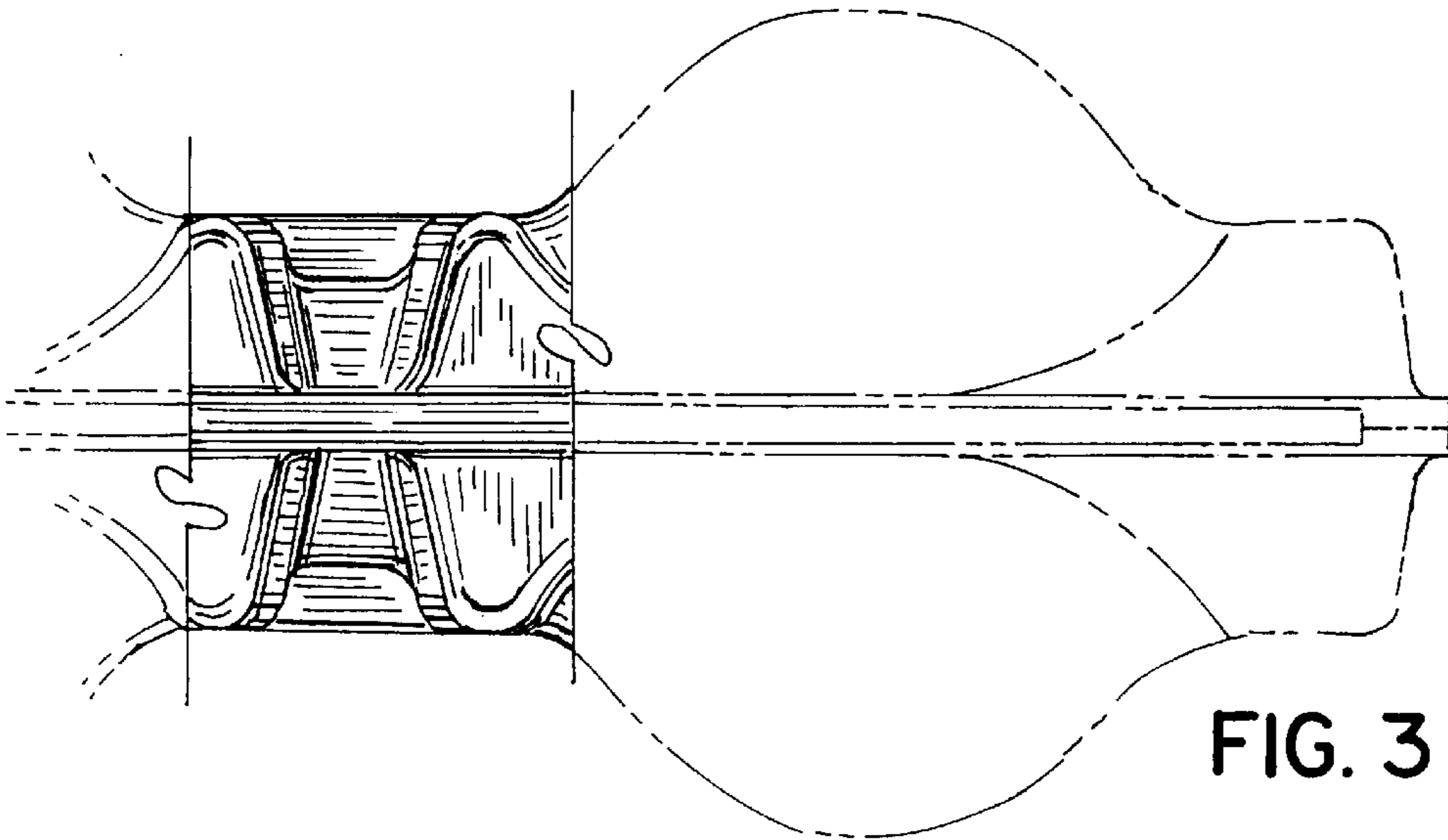
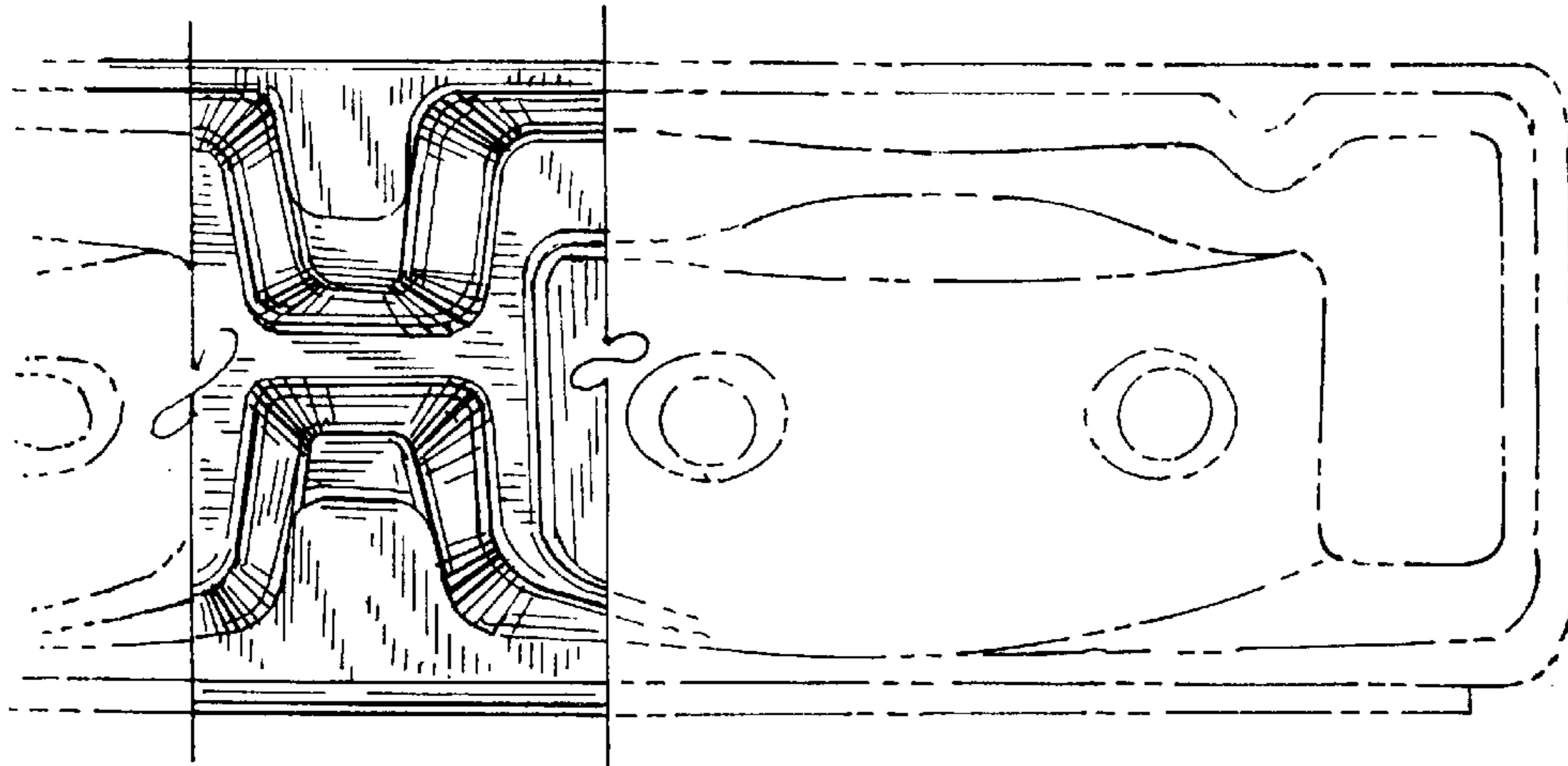


FIG. 3

FIG. 4

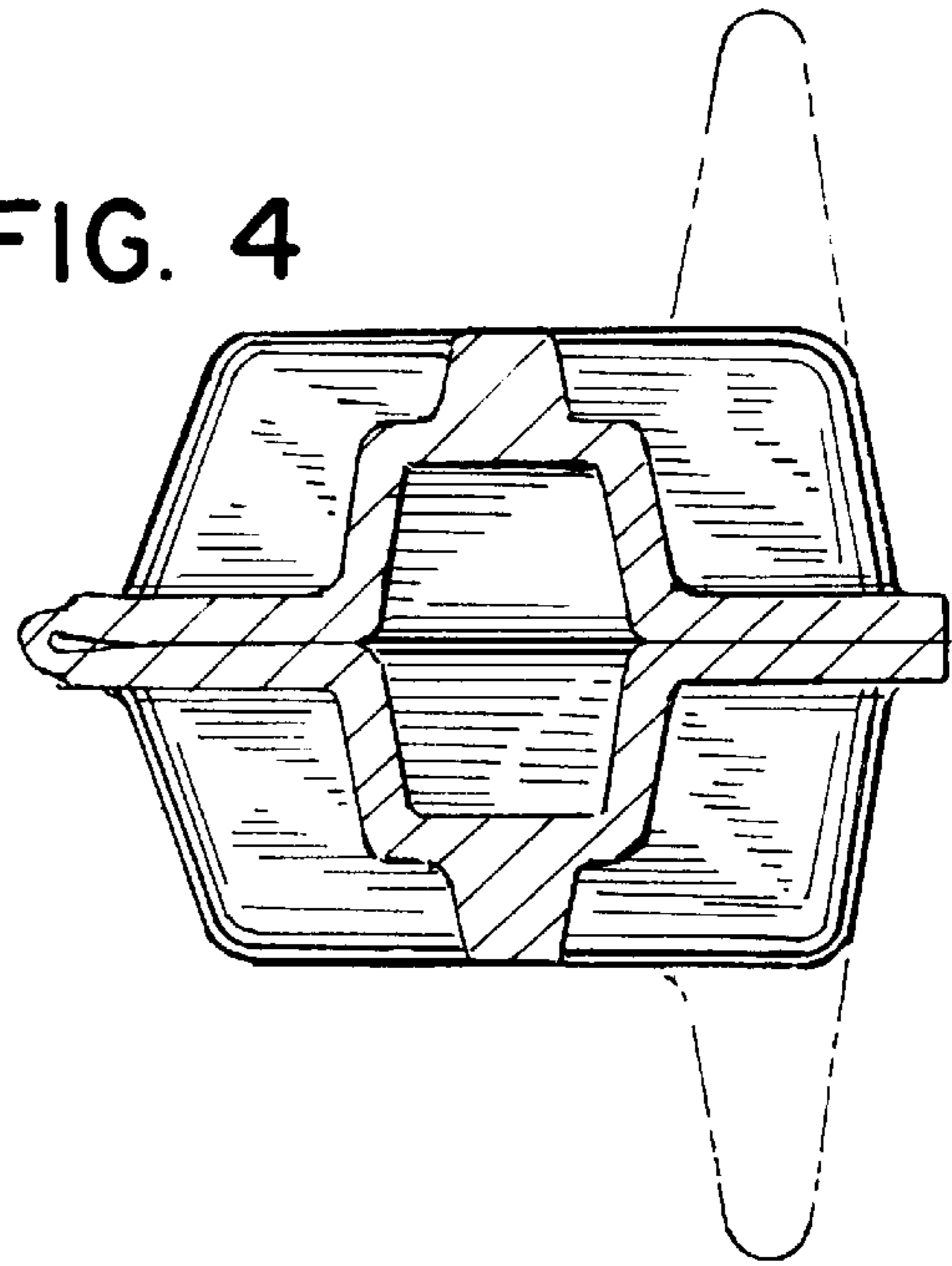
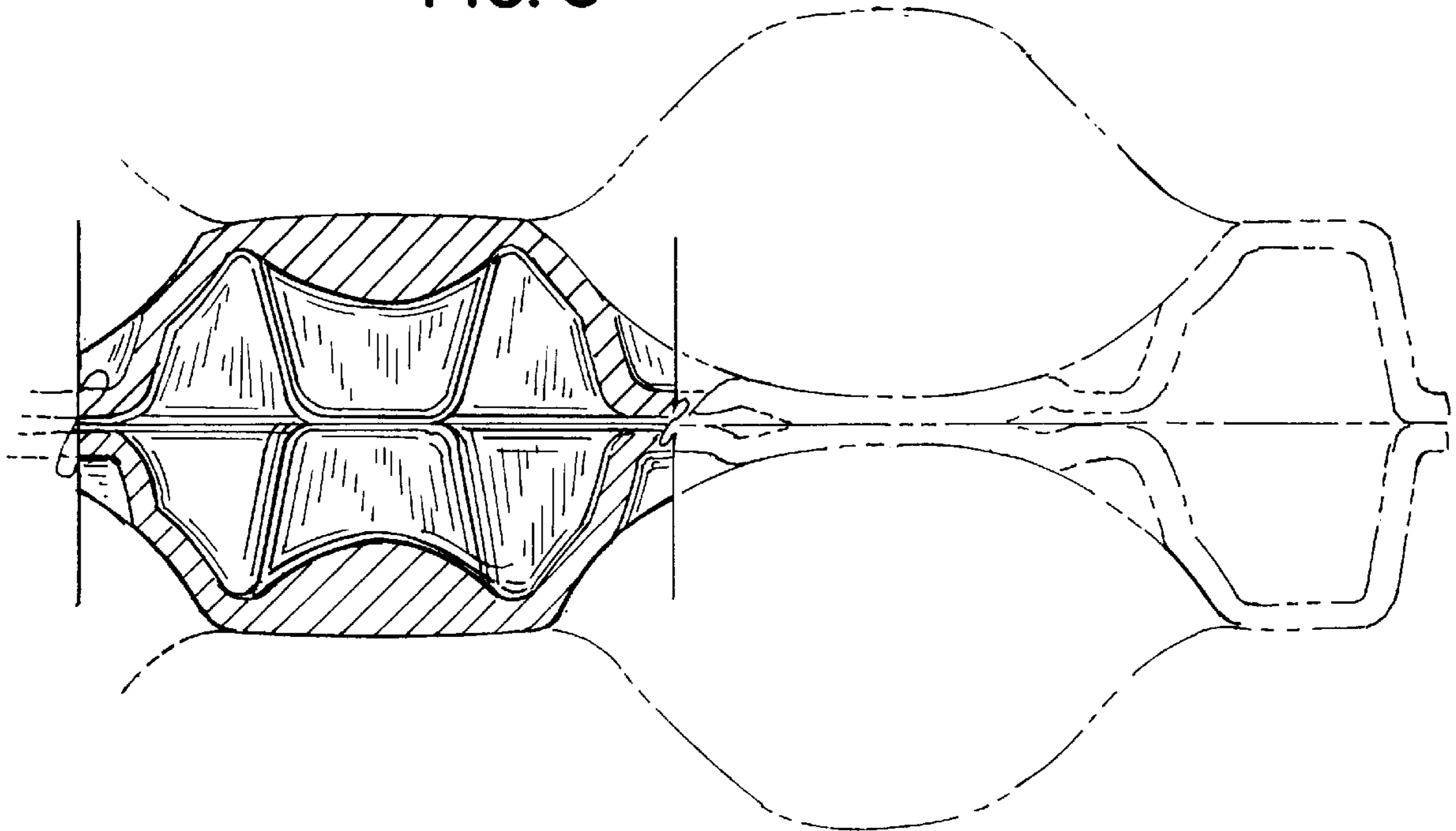


FIG. 5



UNITED STATES PATENT AND TRADEMARK OFFICE  
**CERTIFICATE OF CORRECTION**

PATENT NO. : Des. 408,737  
DATED : April 27, 1999  
INVENTOR(S) : ROBB A. WARREN, JR.

It is certified that error appears in the above-identified patent and that said Letters Patent is hereby corrected as shown below:

On the Title Page:

In the Description:

In the description of FIG. 1, line 2, after "with" insert ---the---

After the Figure Descriptions:

Please insert ---The cut line which defines the bounds of the claimed invention forms no part thereof. The broken line showing the remainder of the roll support is for illustrative purposes only.---

Signed and Sealed this

Twenty-third Day of November, 1999

Attest:



Q. TODD DICKINSON