



US00D408734S

United States Patent [19] McCann

[11] **Patent Number: Des. 408,734**

[45] **Date of Patent: ** Apr. 27, 1999**

[54] **DISPOSABLE FOOD CONTAINER**

[75] Inventor: **Raymond P. McCann**, Phoenix, Ariz.

[73] Assignee: **Elm Packaging Company**, Fullerton, Calif.

[**] Term: **14 Years**

[21] Appl. No.: **29/080,561**

[22] Filed: **Dec. 5, 1997**

[51] **LOC (6) Cl.** **09-07**

[52] **U.S. Cl.** **D9/423**

[58] **Field of Search** D9/423, 424, 425, D9/432, 418, 420; D3/201; 220/4.21-4.27, 315, 324, 337, 752, 334, 755; 206/508, 541; 229/902, 903, 406, 407

[56] **References Cited**

U.S. PATENT DOCUMENTS

Re. 32,739	8/1988	Terauds	229/406	X
D. 241,822	10/1976	Jewell	D9/423	
D. 256,097	7/1980	Amberg	D9/423	
D. 304,910	12/1989	Natori	D9/423	
D. 353,327	12/1994	Castner et al.	D9/341	X
D. 369,970	5/1996	Cain	D9/423	
3,511,433	5/1970	Andrews et al.	220/4.23	
4,079,880	3/1978	Edwards	229/406	X
4,132,344	1/1979	Jewell	229/406	
4,253,600	3/1981	Schubert	229/406	
4,951,866	8/1990	Rusnak	229/120.07	

OTHER PUBLICATIONS

Ultra Pac Inc. Broucher, Apr. 1992.
PCA Speciality Packaging, Mar. 1995.
Modern Packaging Cat. p. 318, 1967.

Primary Examiner—Prabhakar G. Deshmukh
Attorney, Agent, or Firm—McDermott, Will & Emery

[57] **CLAIM**

The ornamental design for the disposable food container, as shown and described.

DESCRIPTION

FIG. 1 is a perspective view of the disposable food container showing the design.

FIG. 2 is a front view of the disposable food container of FIG. 1.

FIG. 3 is a rear view of the disposable food container of FIG. 1.

FIG. 4 is a side view of the disposable food container of FIG. 1.

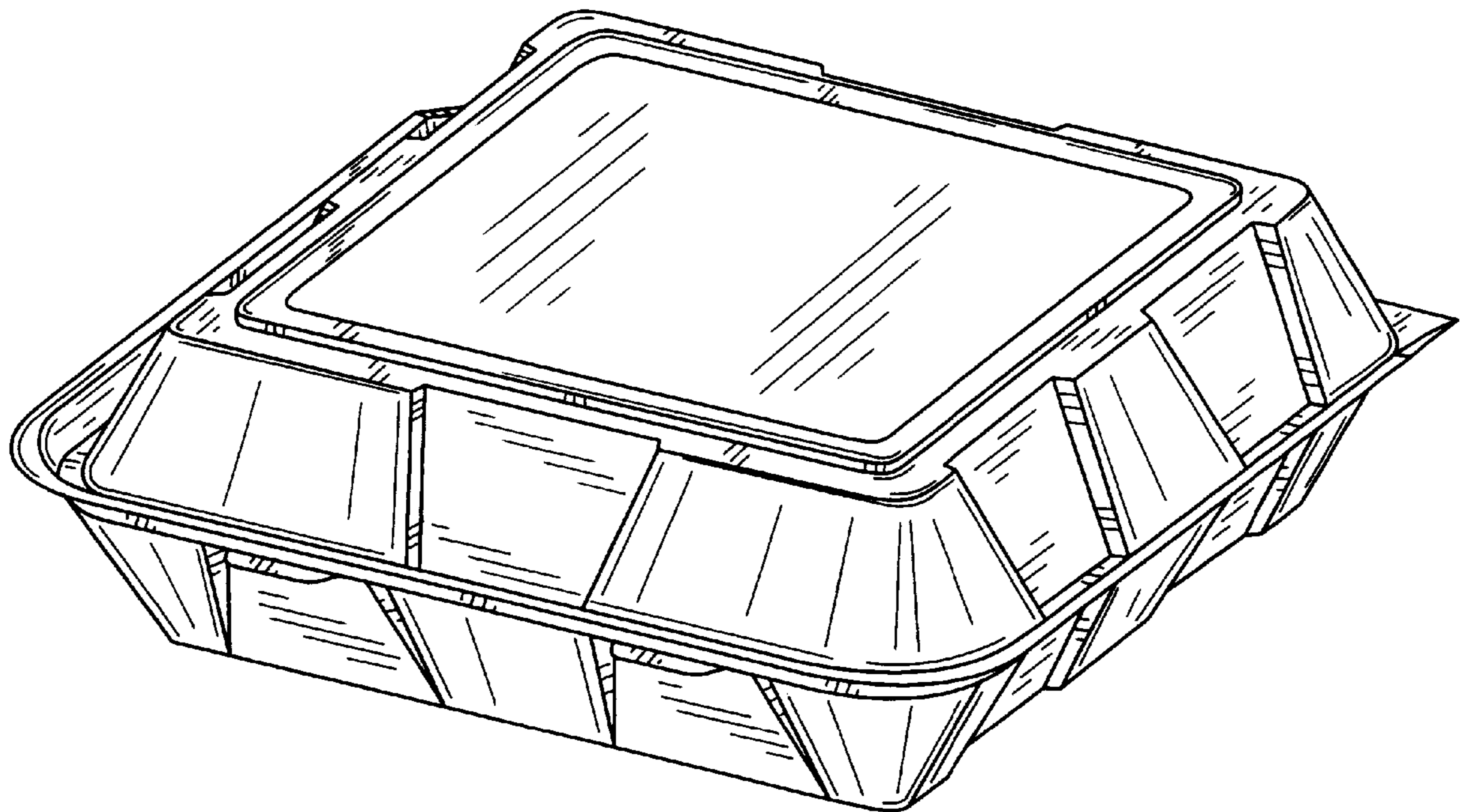
FIG. 5 is a top view of the disposable food container of FIG. 1.

FIG. 6 is a bottom view of the disposable food container of FIG. 1.

FIG. 7 is a bottom view of the disposable food container of FIG. 1, with the container in the open position; and,

FIG. 8 is a top view of the disposable food container of FIG. 1, with the container in the open position.

1 Claim, 6 Drawing Sheets



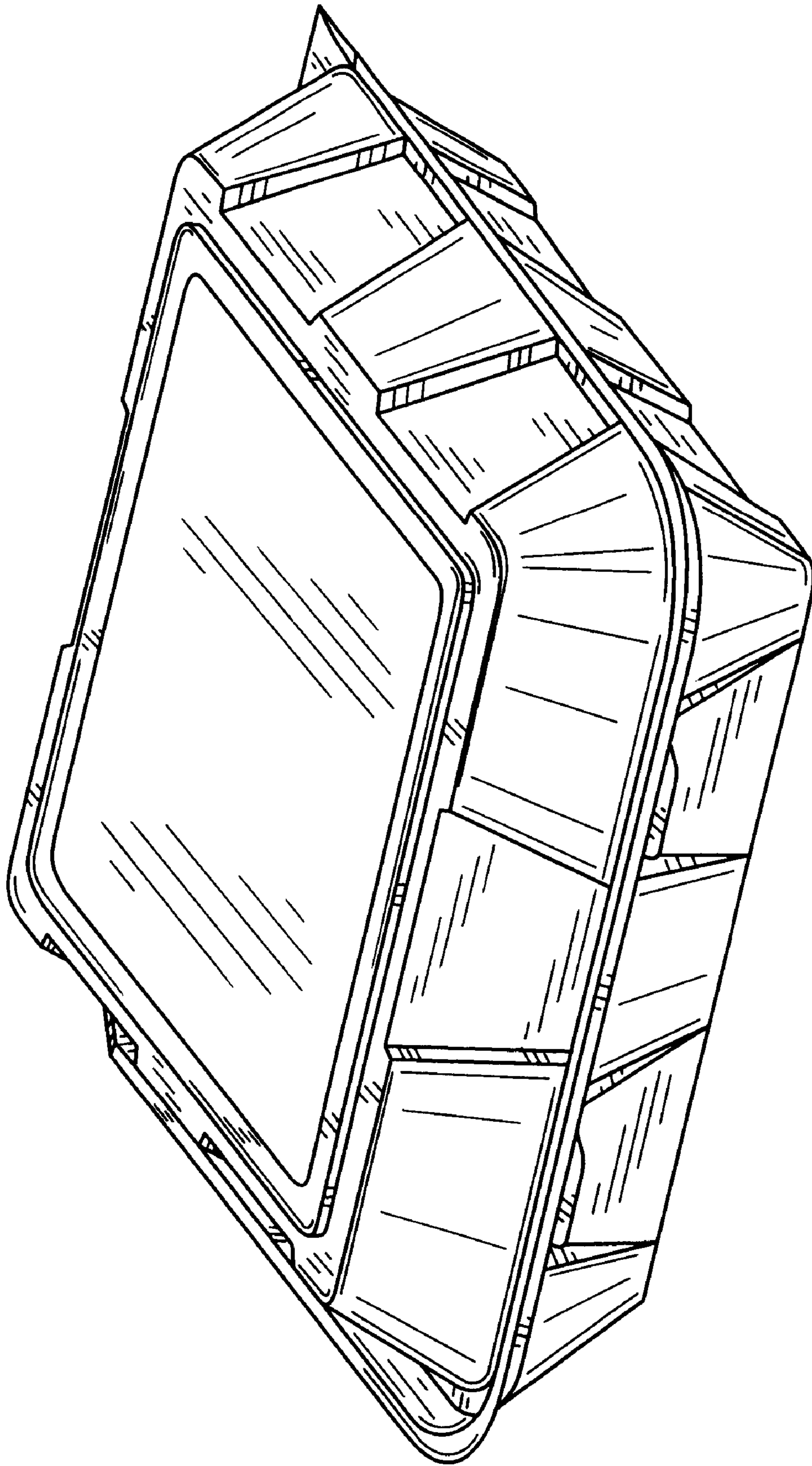


FIG. 1

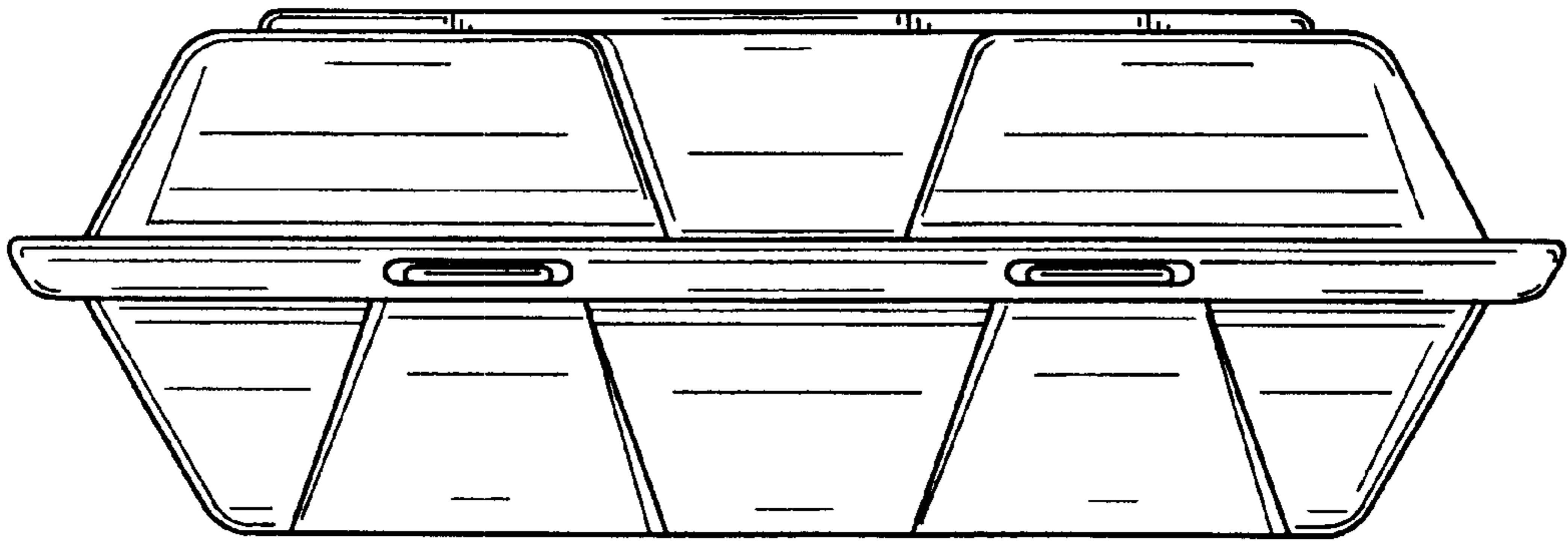


FIG. 2

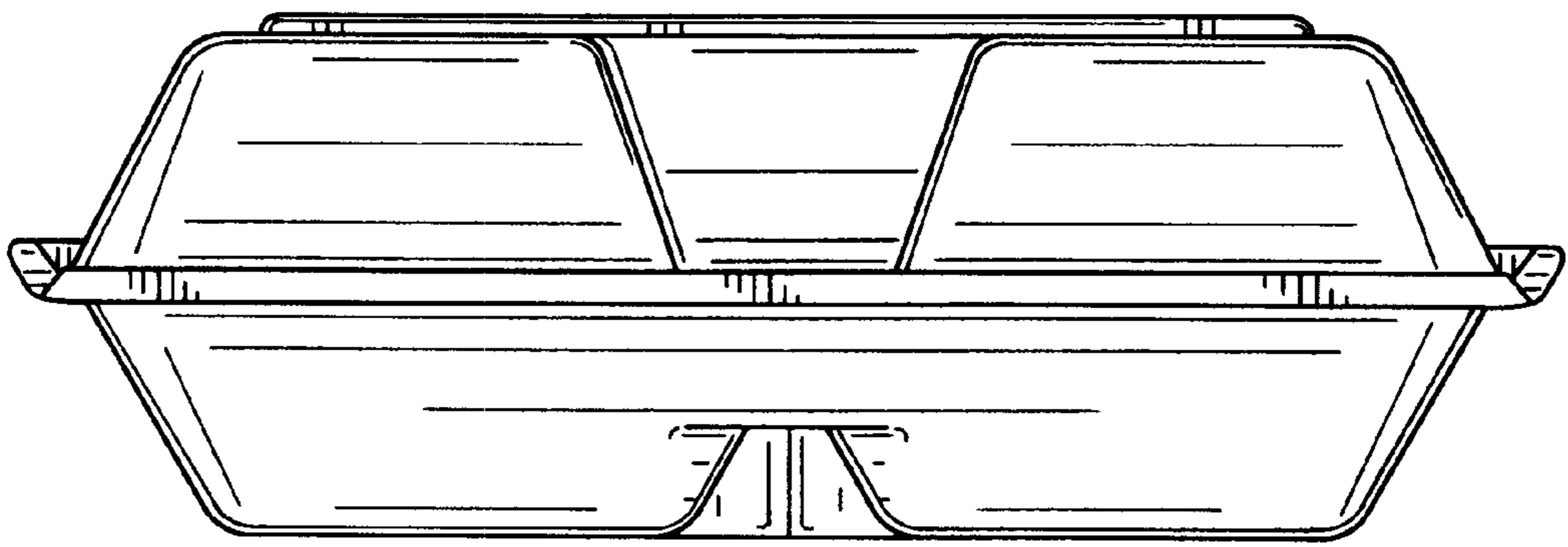


FIG. 3

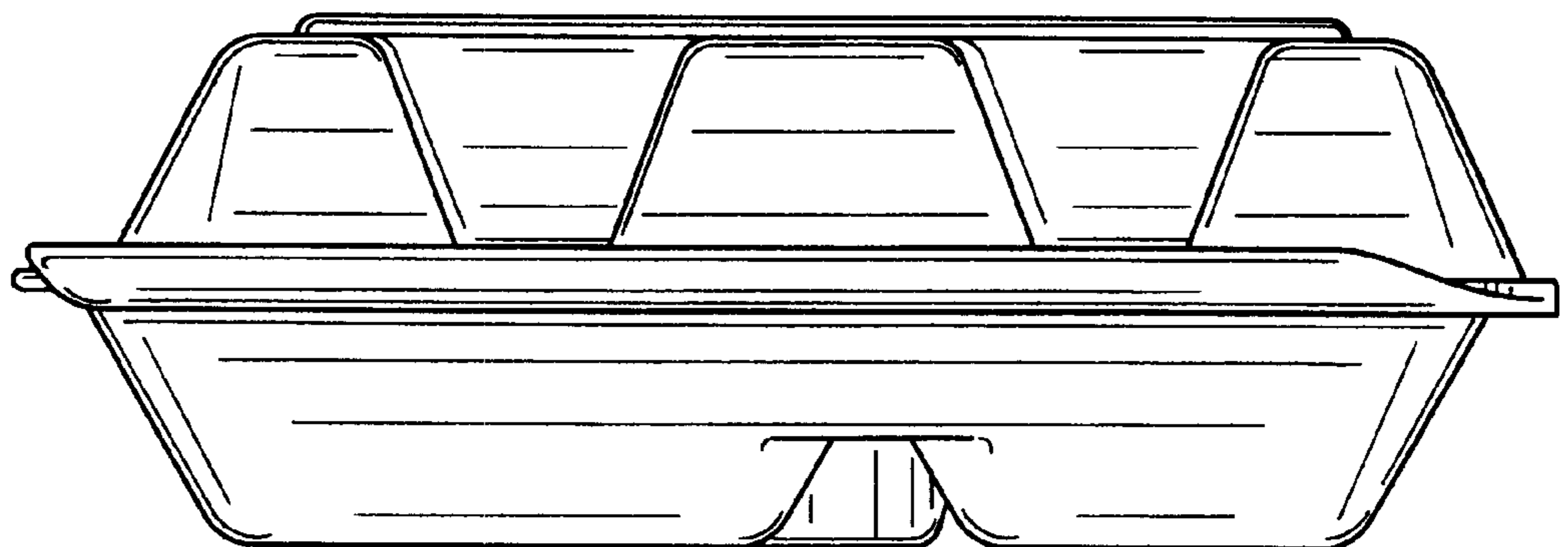


FIG. 4

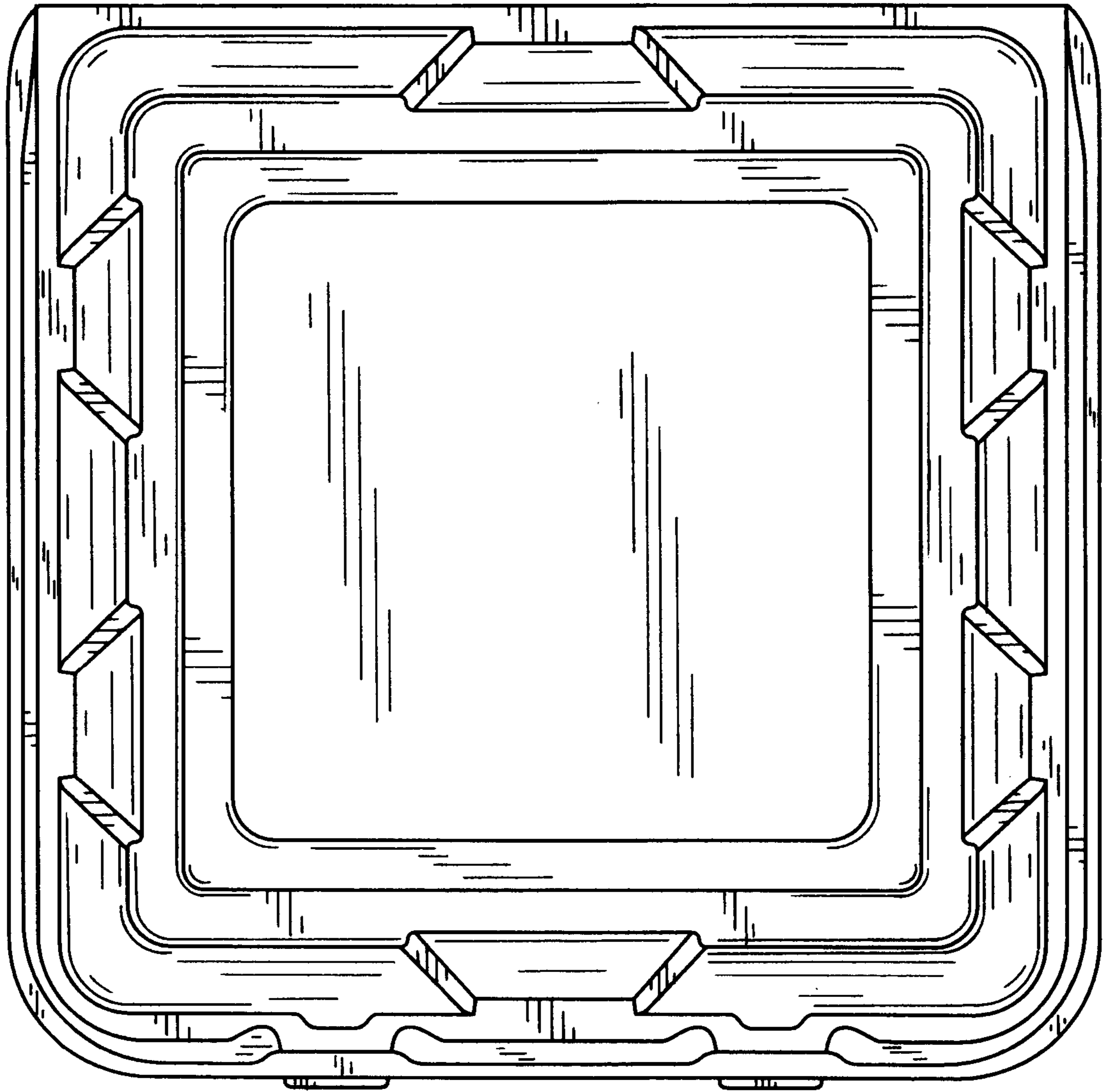


FIG. 5

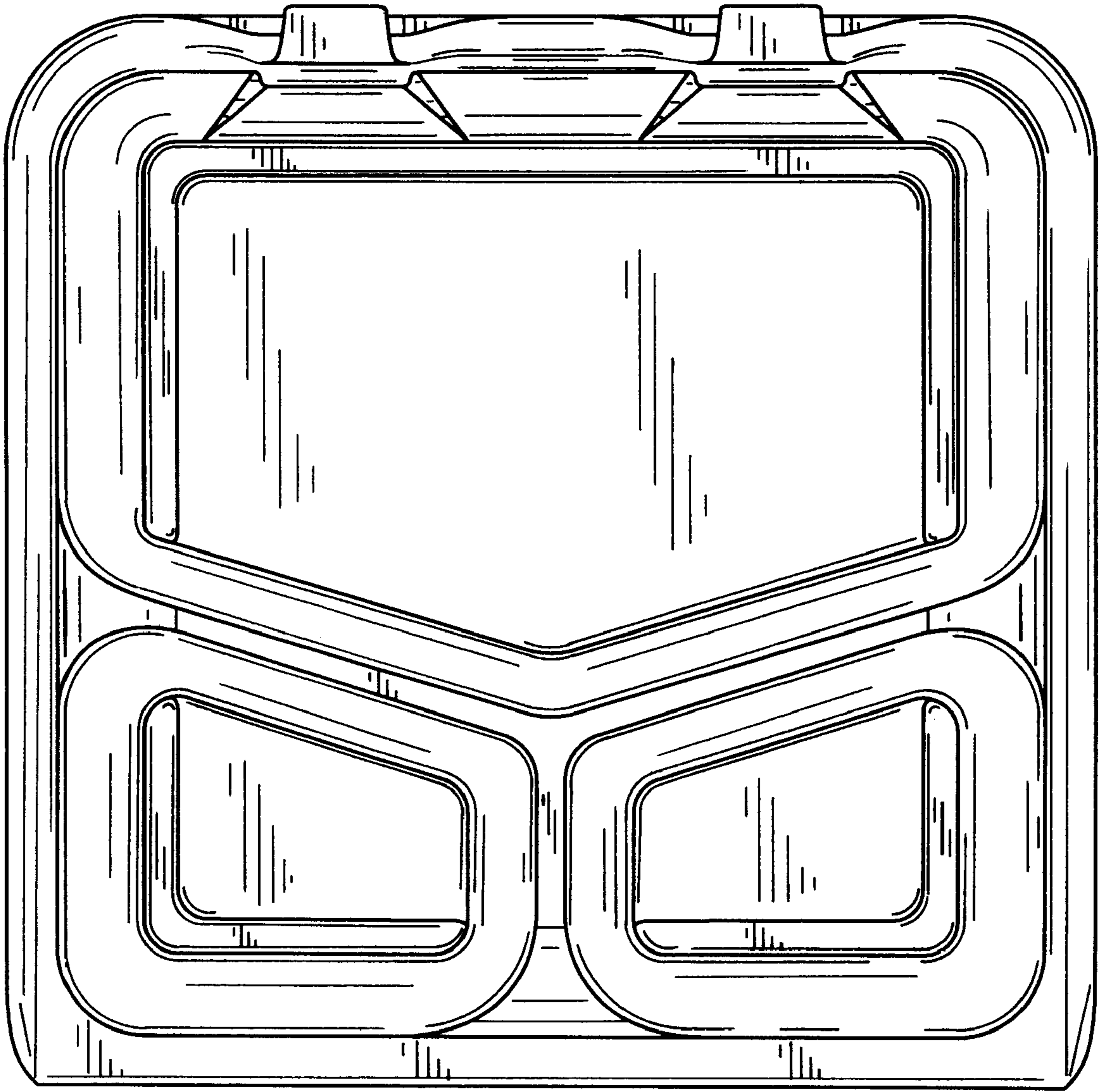


FIG. 6

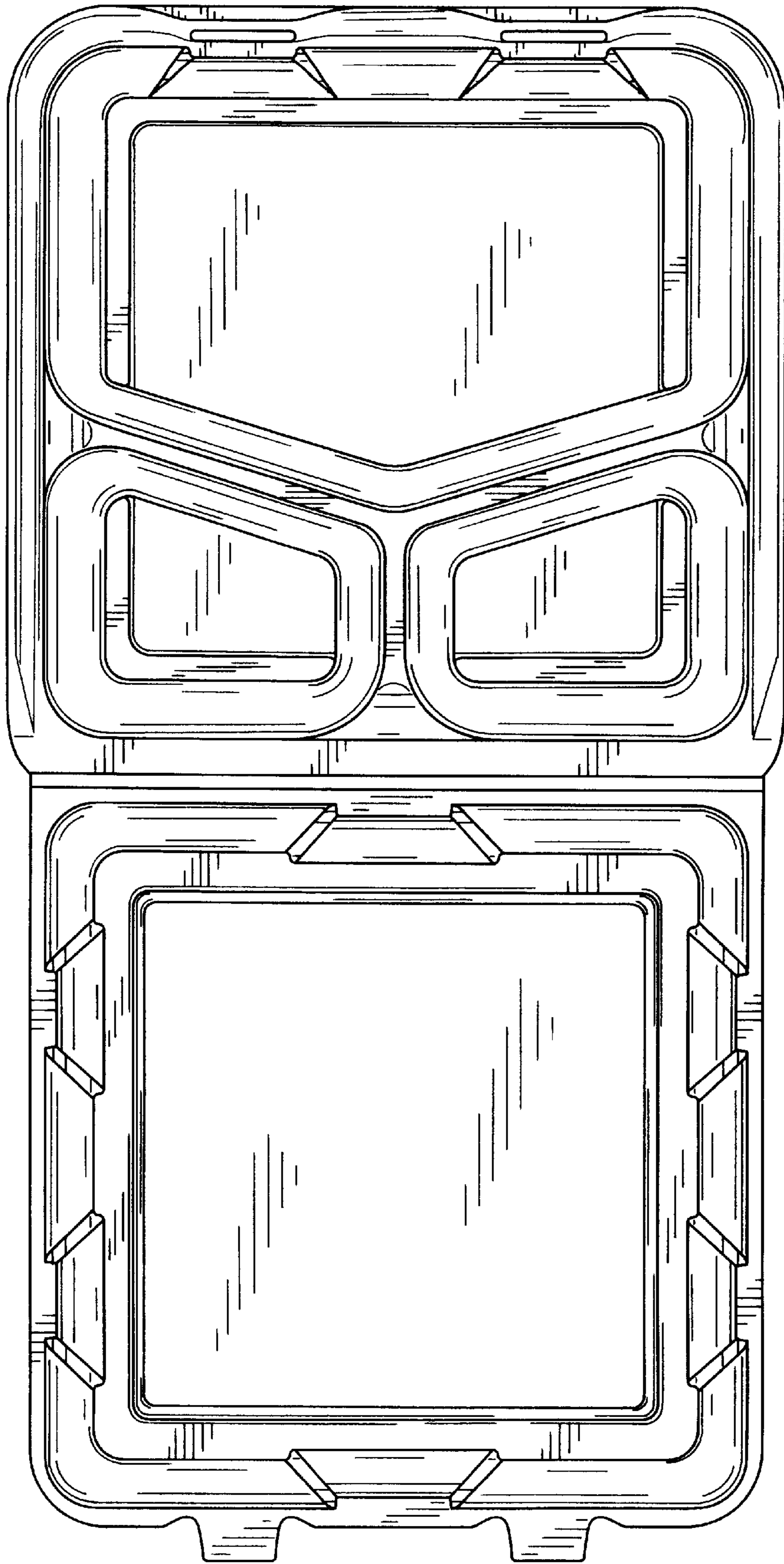


FIG. 7

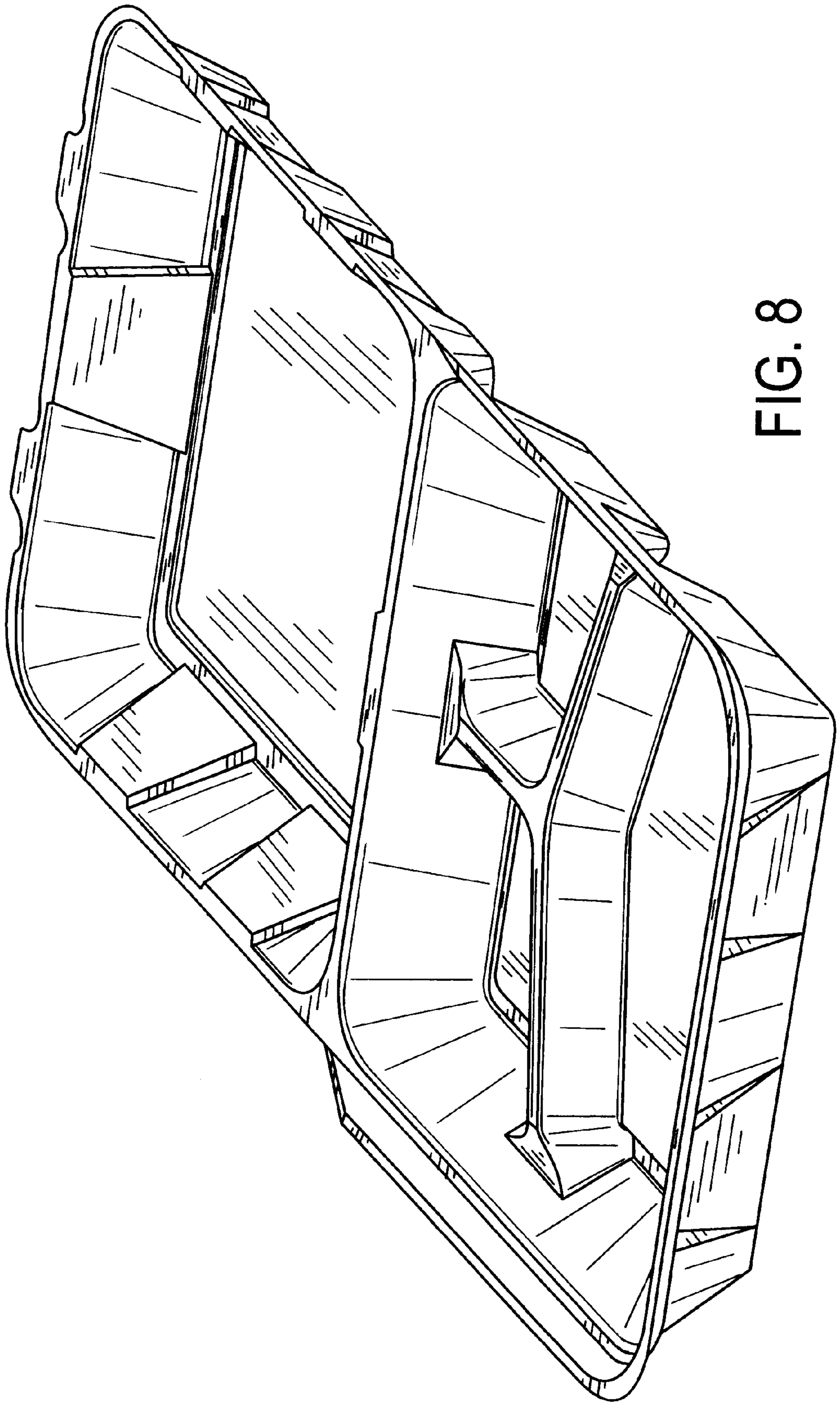


FIG. 8