



US00D408733S

United States Patent [19] McCann

[11] **Patent Number: Des. 408,733**

[45] **Date of Patent: ** Apr. 27, 1999**

[54] **DISPOSABLE FOOD CONTAINER**

4,951,866 8/1990 Rusnak 229/120.07

[75] Inventor: **Raymond P. McCann**, Phoenix, Ariz.

OTHER PUBLICATIONS

[73] Assignee: **Elm Packaging Company**, Fullerton, Calif.

Ultra Pac Inc. Broocher, Apr. 1992
PCA Speciality Packaging, Mar. 1995.
Modern Packaging Cat. p. 318, 1967.

[**] Term: **14 Years**

Primary Examiner—Prabhakar G. Deshmukh
Attorney, Agent, or Firm—McDermott, Will & Emery

[21] Appl. No.: **29/080,325**

[22] Filed: **Dec. 5, 1997**

[57] CLAIM

[51] **LOC (6) Cl.** **09-07**

[52] **U.S. Cl.** **D9/423; D9/428**

[58] **Field of Search** D9/420-425, 432,
D9/418; D3/201; 220/4.21-4.27, 315, 324,
337, 334, 752, 755; 206/508, 541; 229/902,
903, 406, 407

The ornamental design for the disposable food container, as shown and described.

DESCRIPTION

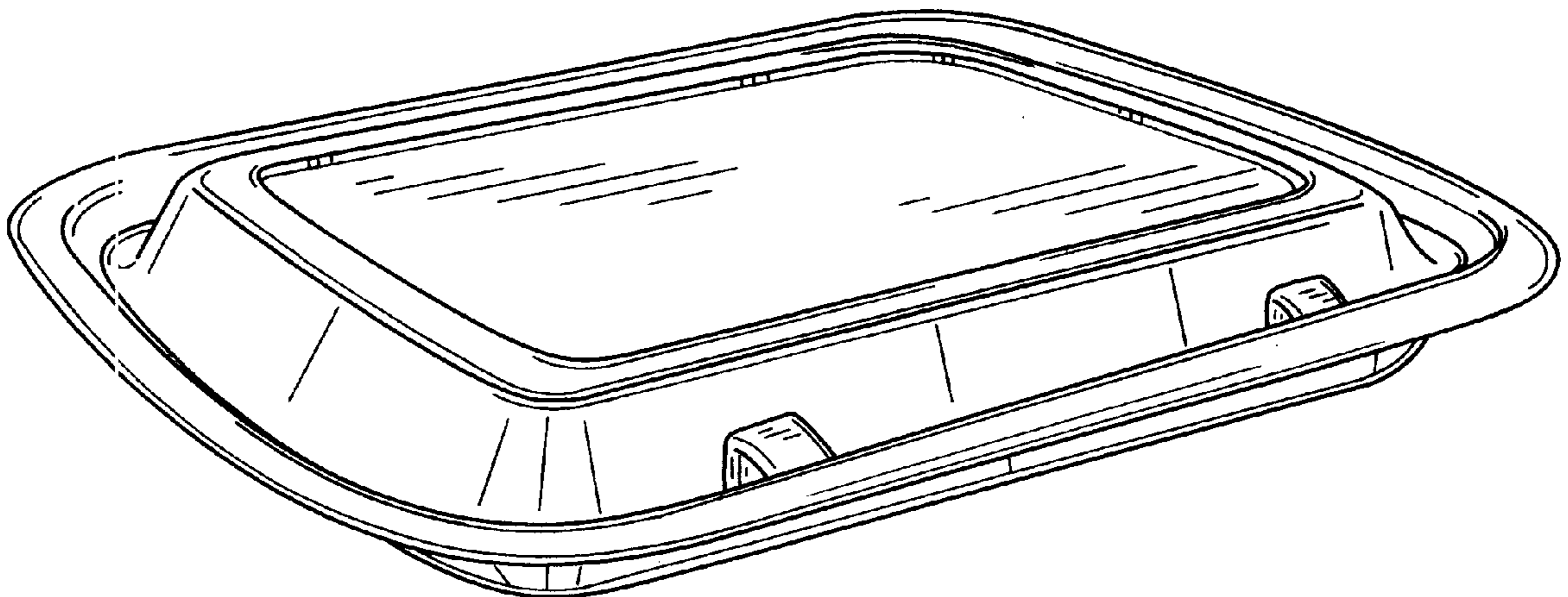
[56] References Cited

U.S. PATENT DOCUMENTS

Re. 32,739	8/1988	Terauds	229/406	X
D. 241,822	10/1976	Jewell	D9/423	
D. 256,097	7/1980	Amberg	D9/423	
D. 304,910	12/1989	Natori	D9/423	
D. 353,327	12/1994	Castner et al.	D9/341	X
D. 369,970	5/1996	Cain	D9/423	
3,511,433	5/1970	Andrews et al.	220/4.23	
4,079,880	3/1978	Edwards	229/406	X
4,132,344	1/1979	Jewell	229/406	
4,253,600	3/1981	Schubert	229/406	

FIG. 1 is a perspective view of the disposable food container showing the design, with the cover and the bottom portion of the container attached to one another;
FIG. 2 is a front view of the disposable food container of FIG. 1;
FIG. 3 is a side view of the disposable food container of FIG. 1;
FIG. 4 is a top view of the disposable food container of FIG. 1;
FIG. 5 is a bottom view of the disposable food container of FIG. 1; and,
FIG. 6 is an exploded perspective view of the disposable food container showing the design, with the cover and the bottom portion of the container separated from one another.

1 Claim, 4 Drawing Sheets



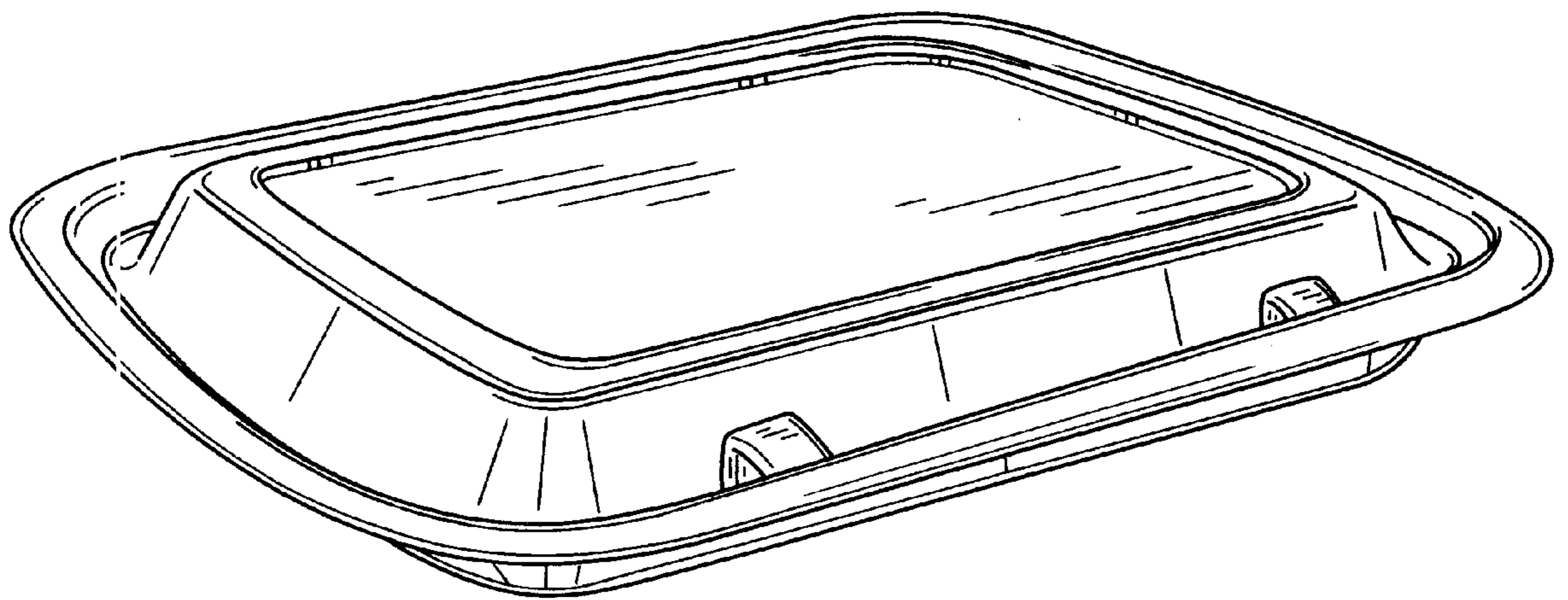


FIG. 1

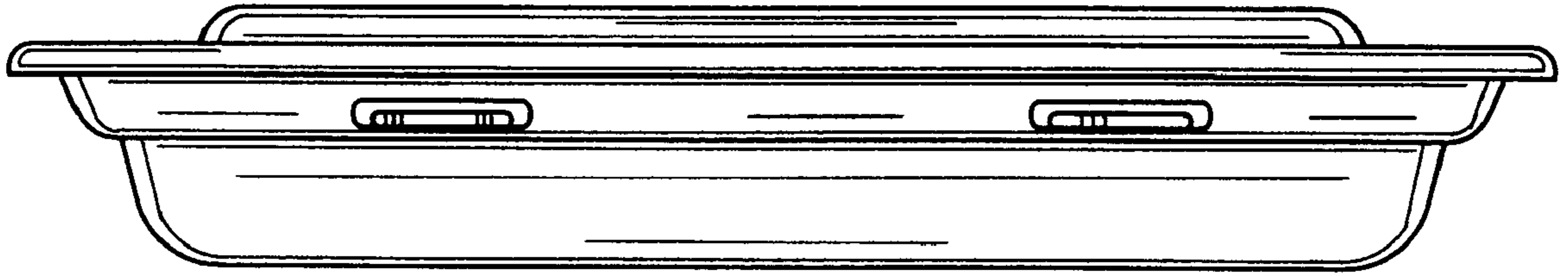


FIG. 2

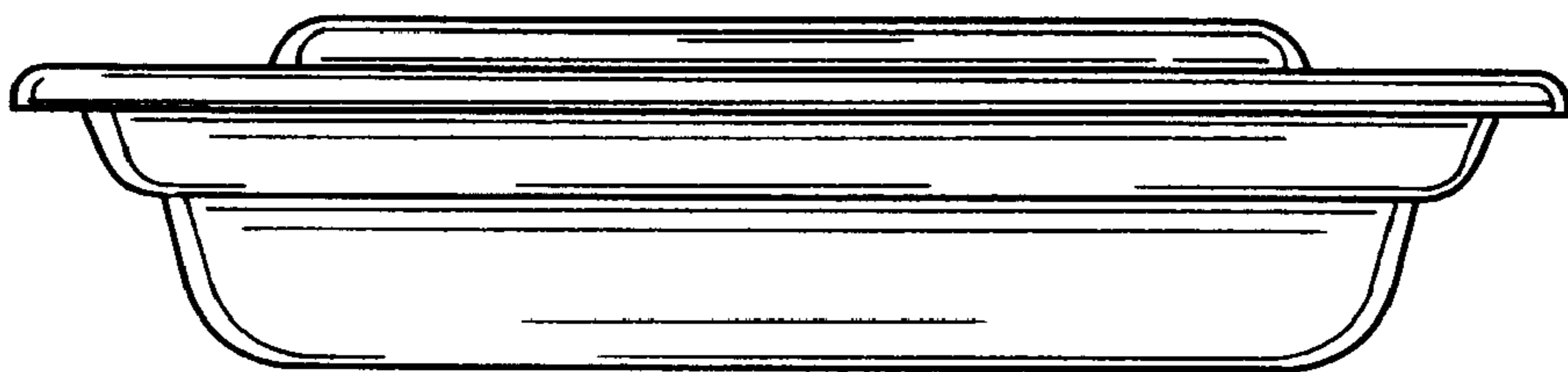


FIG. 3

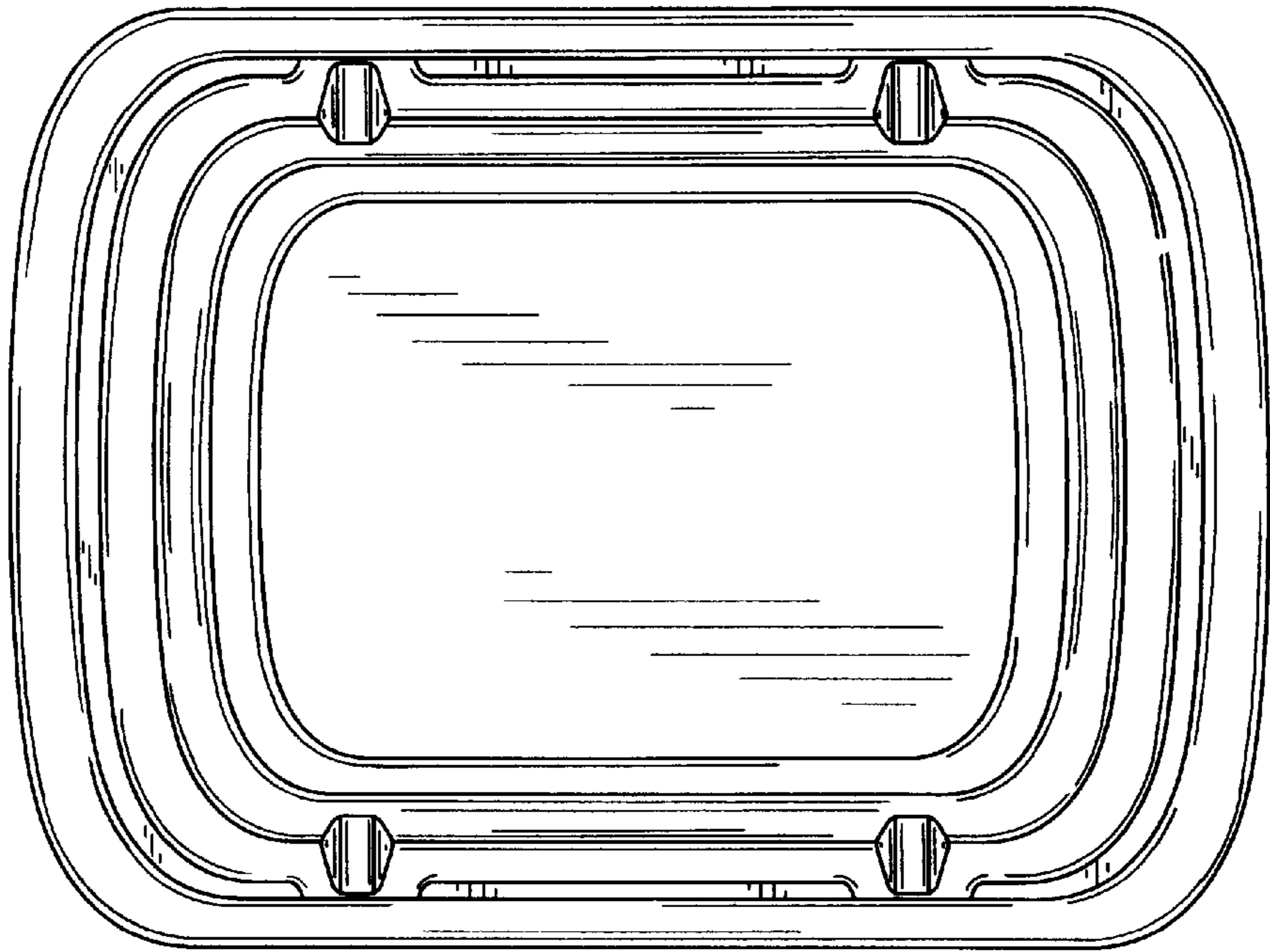


FIG. 4

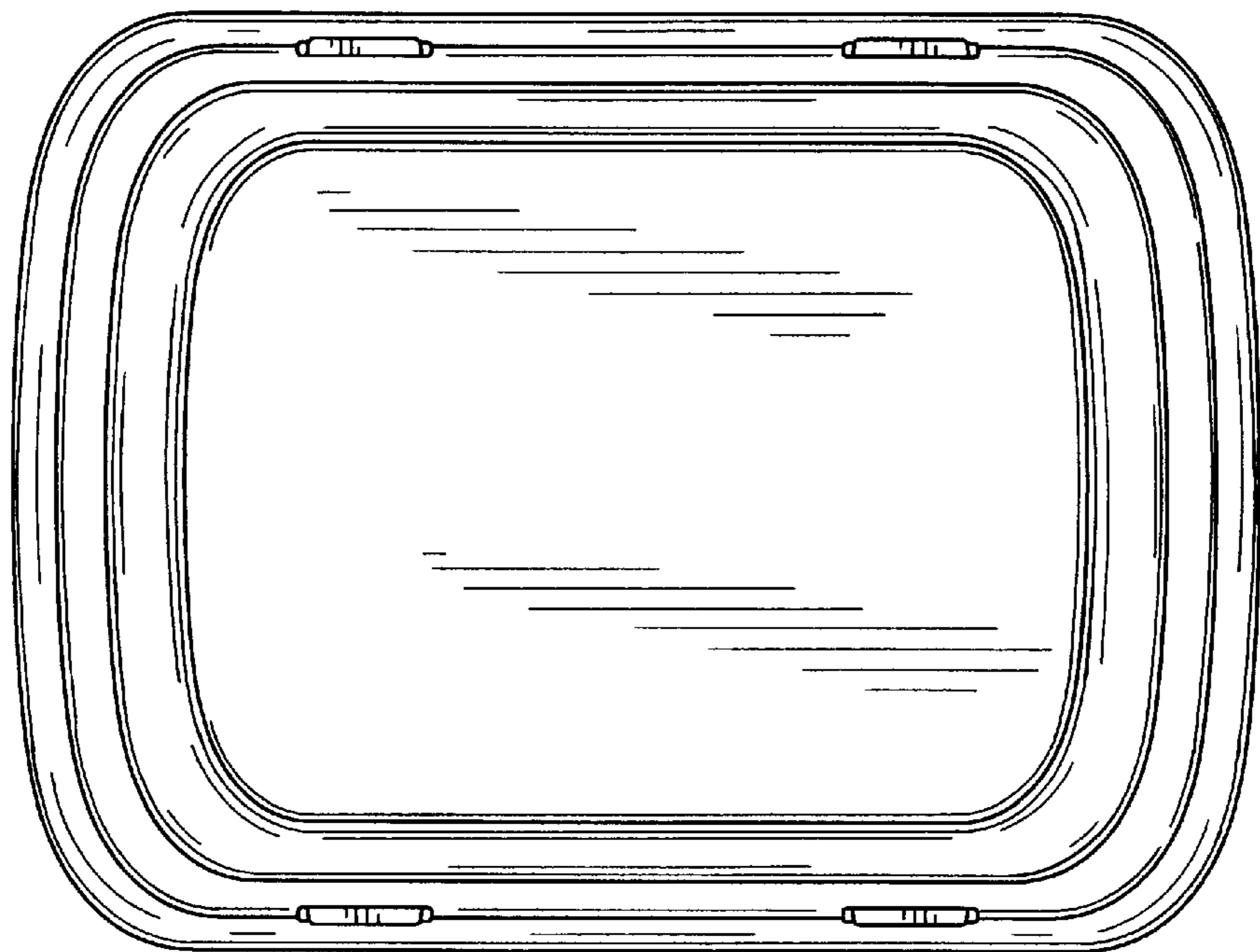


FIG. 5

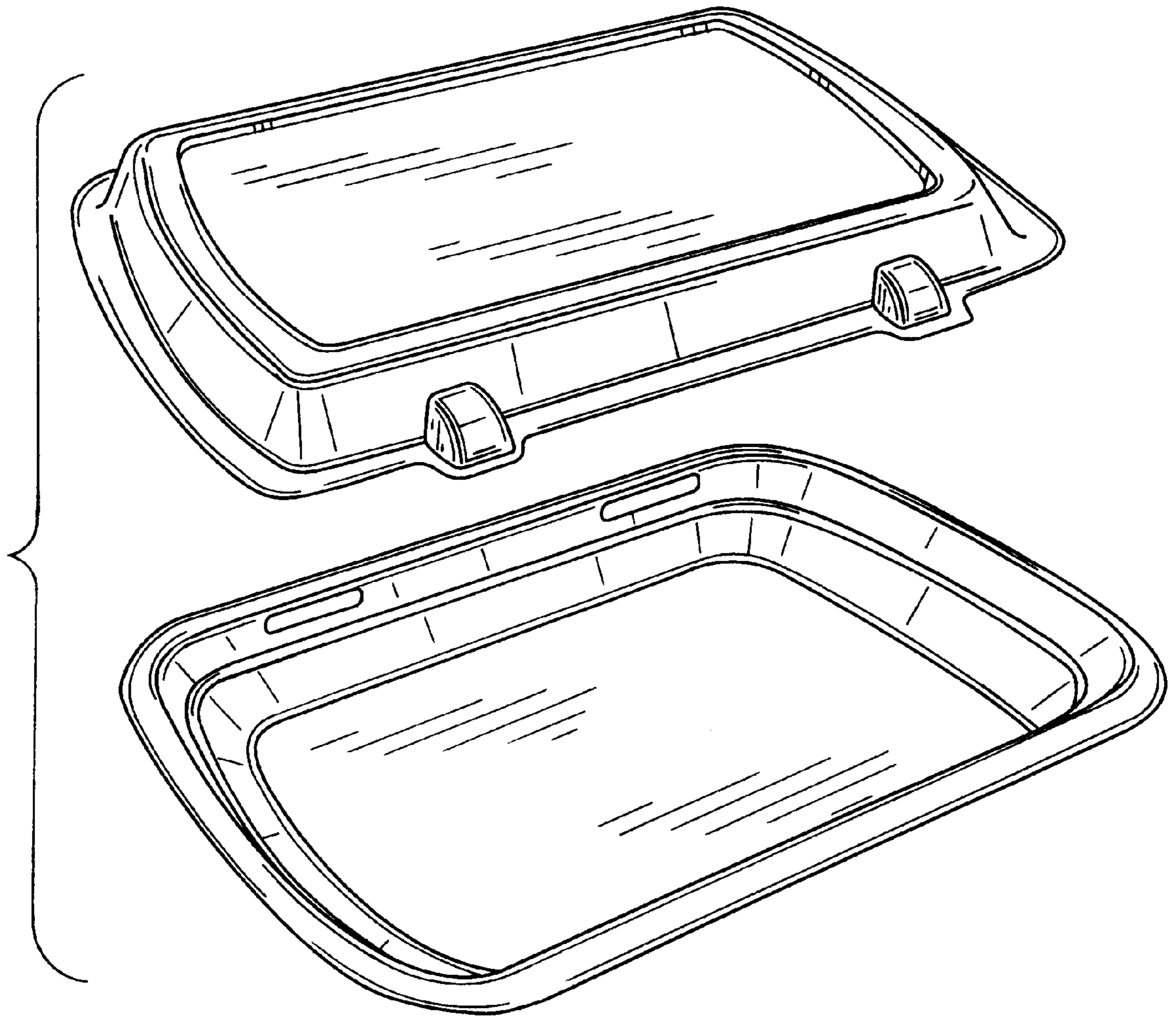


FIG. 6