



US00D408729S

United States Patent [19]

[11] **Patent Number: Des. 408,729**

Virkler et al.

[45] **Date of Patent: ** Apr. 27, 1999**

[54] **OUTER SURFACE OF A WINDOW OPERATOR HOUSING**

[75] Inventors: **Perry L. Virkler; Thomas J. Midas**, both of Owatonna, Minn.

[73] Assignee: **Truth Hardware Corporation**, Owatonna, Minn.

[**] Term: **14 Years**

[21] Appl. No.: **29/086,268**

[22] Filed: **Apr. 9, 1998**

[51] **LOC (6) Cl. 08-09**

[52] **U.S. Cl. D8/400**

[58] **Field of Search** D8/400, 499, 308, D8/309; 49/337, 324, 325, 339, 341, 342, 360, 353; 74/545, 546, 89.14, 89.18; 292/347; 16/110 R, 115

[56] **References Cited**

U.S. PATENT DOCUMENTS

- D. 347,569 6/1994 Vetter et al. .
- D. 350,666 9/1994 Wobschall et al. .
- D. 365,513 12/1995 Vetter et al. .
- D. 375,042 10/1996 Anderson et al. .
- D. 375,254 11/1996 Anderson et al. .
- D. 375,674 11/1996 Anderson et al. .
- D. 376,099 12/1996 Ork et al. D8/400
- D. 390,454 2/1998 Vetter et al. .
- D. 390,777 2/1998 Peterson et al. D8/400
- 5,531,138 7/1996 Vetter 74/89.14

OTHER PUBLICATIONS

- Truth Brochure "Roto Gear Awning Operator" (1996).
- Truth Brochure "Entrygard® Single Arm Operator" (1996).
- Truth Brochure Single Arm Operator (surface mount) (1996).
- Truth Brochure "Split Arm Operator" (1996).
- Truth Brochure "Pivot Shoe Roto Operator" (1996).
- Truth Brochure "Single Arm Operator (Face-Mount)" (1996).

Truth Brochure "Dyad Operator" (1996).
Truth Brochure "Folding Handle and Metal Entrygard® Cover" (1996).

Primary Examiner—Susan J. Lucas
Assistant Examiner—Jennifer Rivard
Attorney, Agent, or Firm—Wood, Phillips, VanSanten, Clark & Mortimer

[57] **CLAIM**

The ornamental design of an outer surface of a window operator housing, as shown and described.

DESCRIPTION

FIG. 1 is a perspective view of the outer surface of a window operator housing as oriented relative to a window sill and sash (not shown);
 FIG. 2 is a top view of the outer surface of a window operator housing;
 FIG. 3 is a front view of the outer surface of a window operator housing;
 FIG. 4 is a rear view of the outer surface of a window operator housing; and,
 FIG. 5 is a left end view of the outer surface of a window operator housing, the right end being a mirror image.
 The front face of the raised portion to which a drive handle is normally attached is typically not visible as it is hidden beneath the base of the handle. The design of that front face (which typically includes an opening for an operator drive shaft to which the handle may be connected) which is inside the circular broken lines in FIGS. 1-3, is therefore also unclaimed subject matter.
 The housing is normally mounted along its rear and bottom to a window sill and sash (not shown) and are not normally visible. Accordingly, the bottom view of the outer surface of a window operator housing is not shown herein and is unclaimed subject matter. The rear view is shown only to illustrate the outer boundary of the outer surface of a window operator housing and to illustrate the visible portion of the outer surface of the raised portion as seen from the rear.

1 Claim, 1 Drawing Sheet

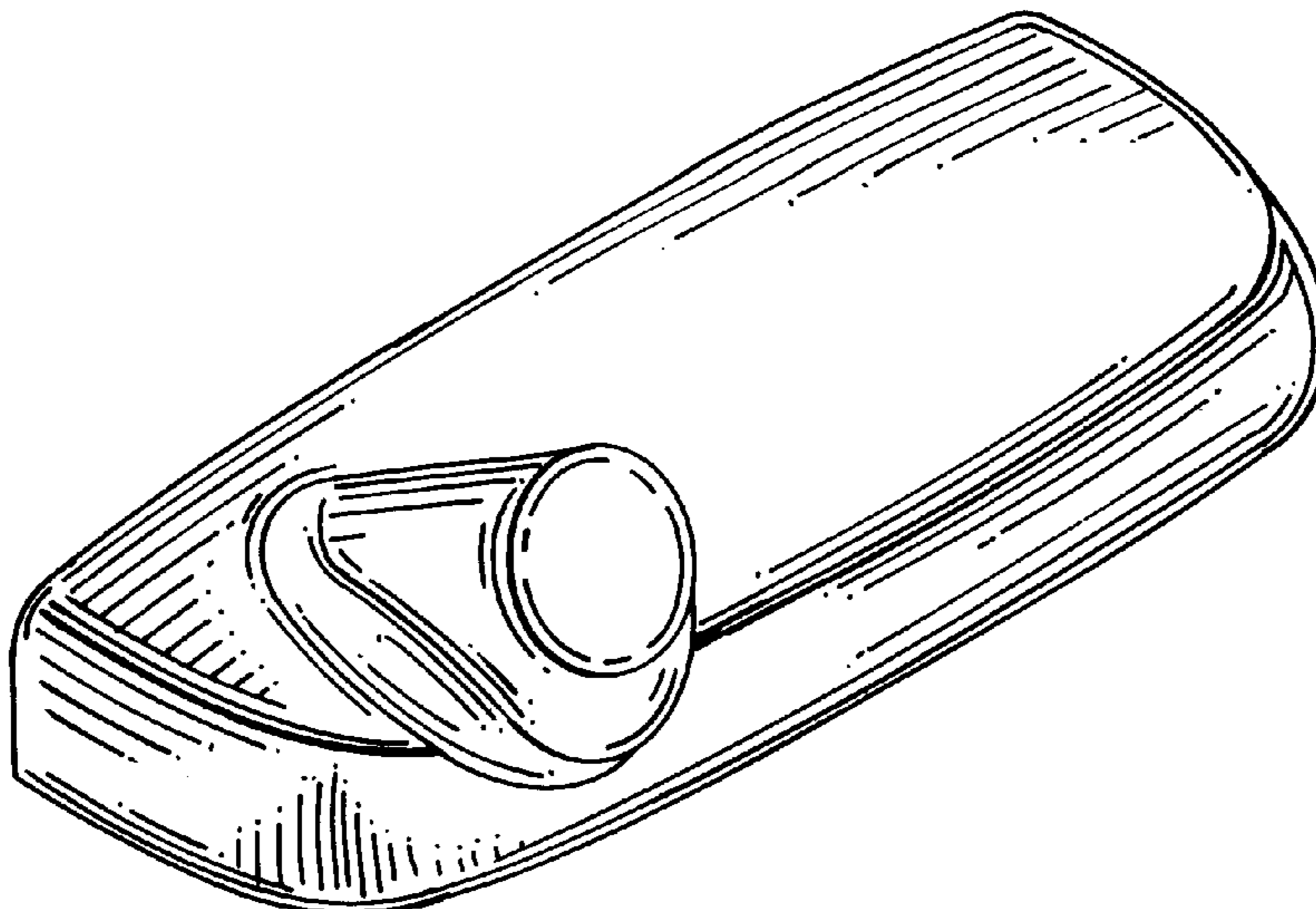


FIG. 1

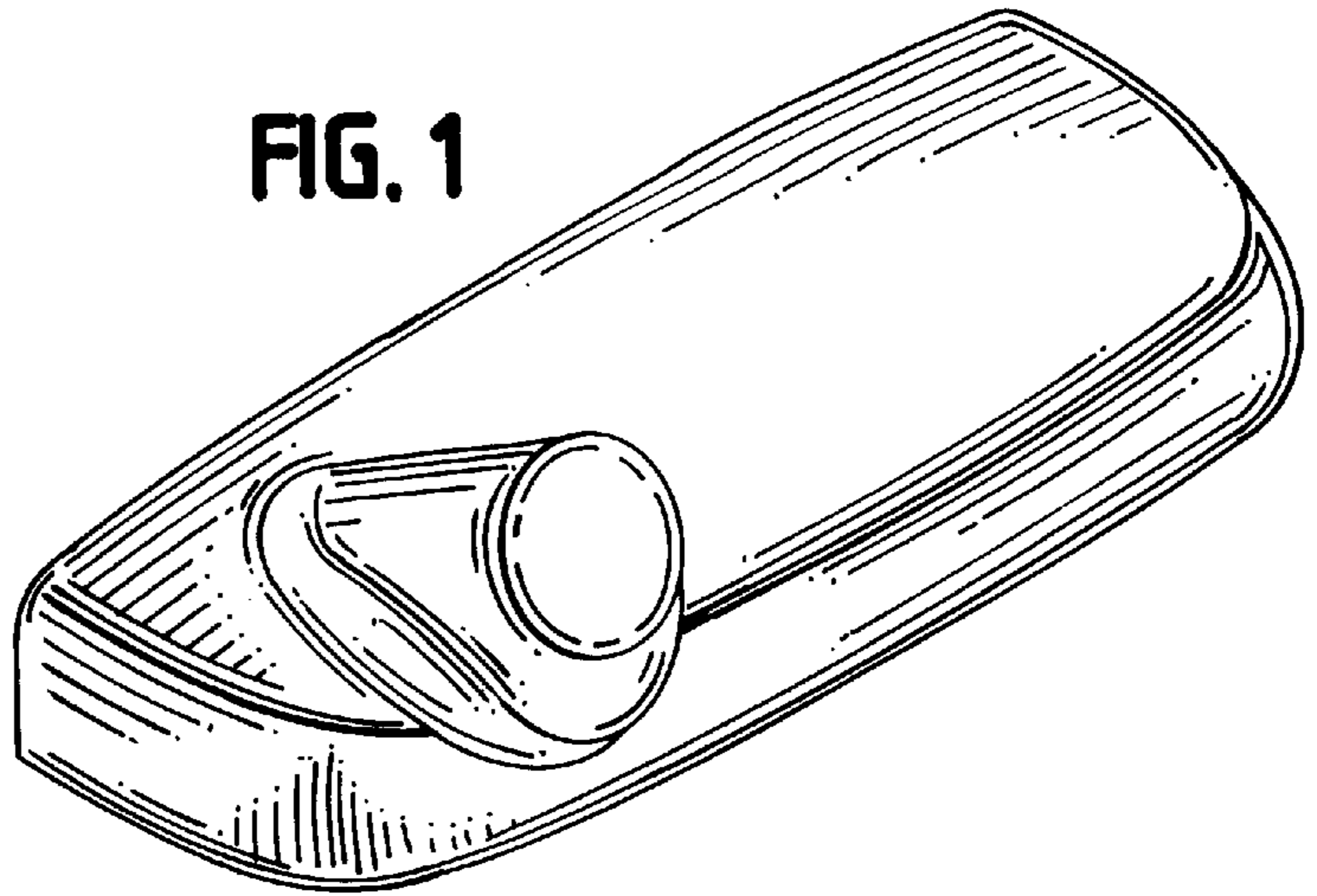


FIG. 2



FIG. 3

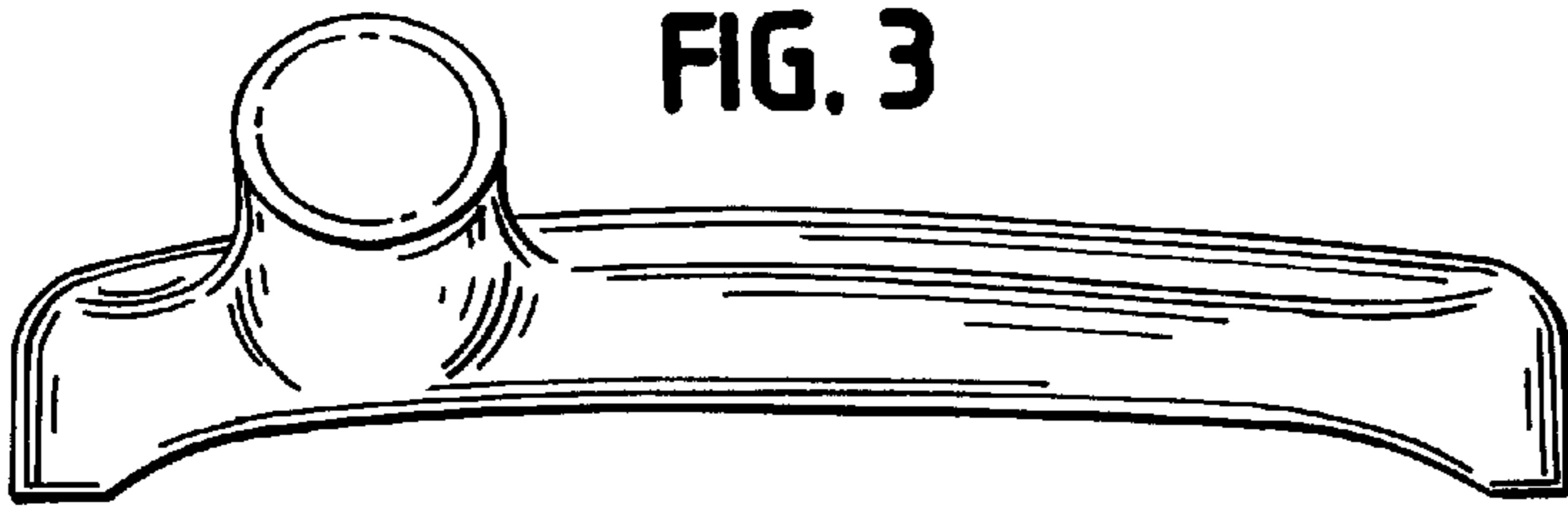


FIG. 5

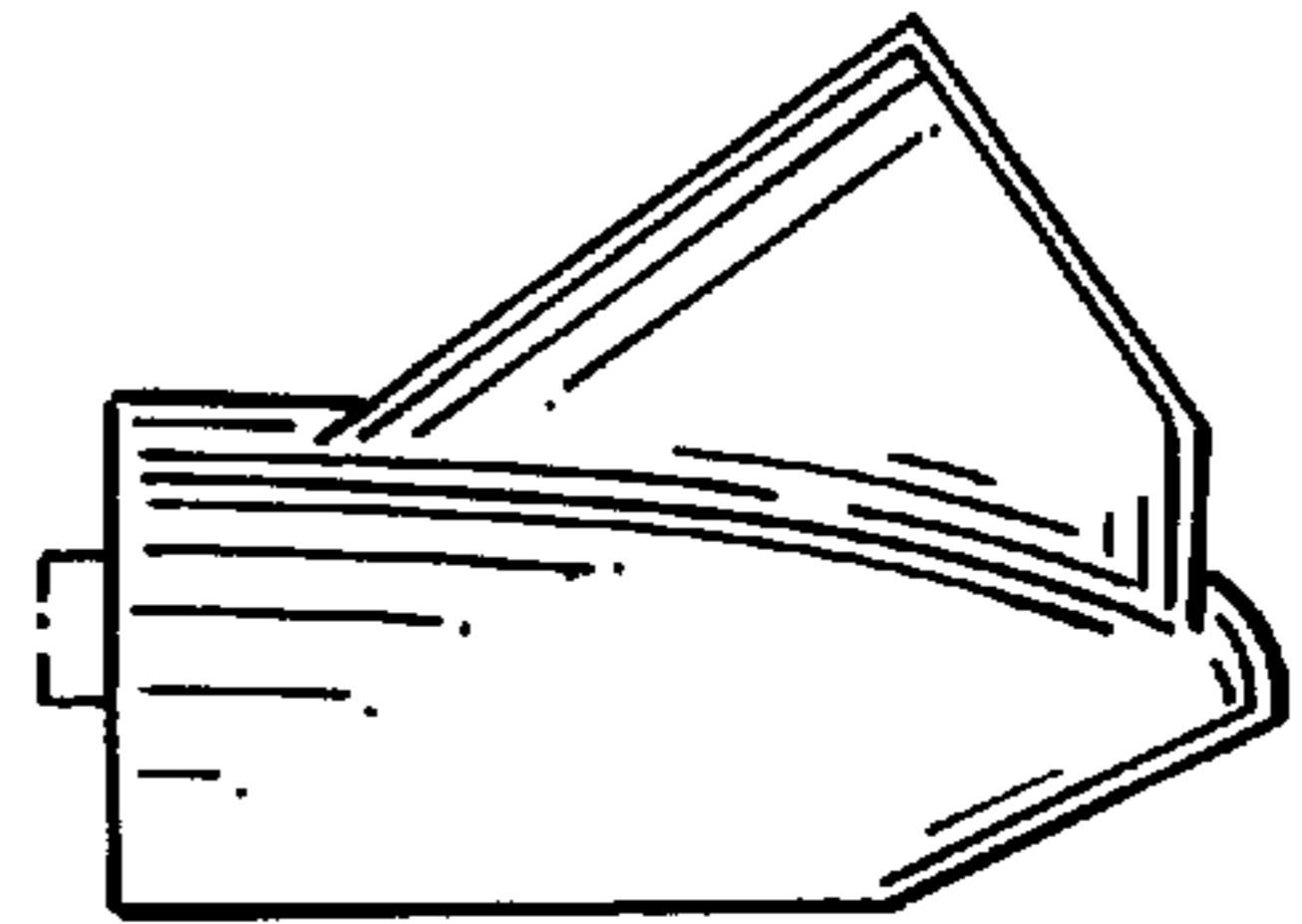


FIG. 4

