



US00D408727S

United States Patent [19]
Sherman

[11] **Patent Number: Des. 408,727**
[45] **Date of Patent: ** Apr. 27, 1999**

[54] **CUSHION INSERT FOR A TUBING CLAMP**

[75] Inventor: **Clarence A. Sherman**, Birmingham, Mich.

[73] Assignee: **ZSI, Inc.**, Westland, Mich.

[**] Term: **14 Years**

[21] Appl. No.: **29/068,028**

[22] Filed: **Mar. 17, 1997**

3,429,014	2/1969	Roche	24/279
3,486,726	12/1969	Kindorf et al. .	
3,521,842	7/1970	Opperthausen .	
3,553,793	1/1971	Long et al. .	
3,559,933	2/1971	Castellani .	
3,564,676	2/1971	Oeser .	
3,606,218	9/1971	Enlund et al. .	
3,641,707	2/1972	Kellos .	
3,684,223	8/1972	Logsdon .	
3,843,083	10/1974	Angibaud .	

(List continued on next page.)

Related U.S. Application Data

[63] Continuation of application No. 29/051,845, Feb. 20, 1996, abandoned.

[51] **LOC (6) Cl.** **08-08**

[52] **U.S. Cl.** **D8/396**

[58] **Field of Search** D8/396; 24/335, 24/279; 248/74.1, 74.4, 68.1; 285/373, 367, 423; 403/344, 372

References Cited

U.S. PATENT DOCUMENTS

1,752,493	4/1930	Lavarack et al. .	
1,808,516	6/1931	Bartsch .	
1,853,467	4/1932	Simpson et al. .	
2,011,138	8/1935	Austin .	
2,399,899	5/1946	Tinnerman .	
2,440,469	4/1948	Goddard .	
2,761,714	9/1956	Cuskie .	
2,824,270	2/1958	Anderson .	
2,872,141	2/1959	Hefner .	
2,956,323	10/1960	Stoeltzlen .	
2,972,461	2/1961	Balbach et al. .	
2,998,217	8/1961	Englis et al. .	
3,130,948	4/1964	Bedford, Jr. .	
3,154,281	10/1964	Frank .	
3,227,406	1/1966	Shelton et al. .	
3,266,761	8/1966	Walton et al. .	
3,286,963	11/1966	Bergman .	
3,341,232	9/1967	Deakins	285/373
3,358,953	12/1967	Bethea, Jr. .	
3,365,218	1/1968	Denyes .	
3,397,431	8/1968	Walker	403/344
3,414,220	12/1968	Walker .	

OTHER PUBLICATIONS

Brochure entitled "Vermatic Clamps", Vermatic Products, Inc., (Prior to Feb. 20, 1996).

Catalog 189 entitled "Stauff Clamps", Stauff Corporation, (1989).

Brochure entitled Cush-A-Clamp Cushioning and Clamping Products (prior to Feb. 20, 1996).

Brochure entitled "Cush-A-Clamp with New Living Hinge . . . Makes Installation Soooo Easy", (prior to Feb. 20, 1996).

Brochure entitled "Line Clamping Systems", Hydro-Craft, 1990.

Primary Examiner—Paula A. Mortimer
Attorney, Agent, or Firm—Harness, Dickey & Pierce P.L.C.

CLAIM

The ornamental design for a cushion insert for a tubing clamp, as shown and described.

DESCRIPTION

FIG. 1 is a front perspective view of a cushion insert for a tubing clamp showing my new design, the broken line showing of the clamp is for illustrative purposes only and forms no part of the claimed design;

FIG. 2 is a front perspective view thereof;

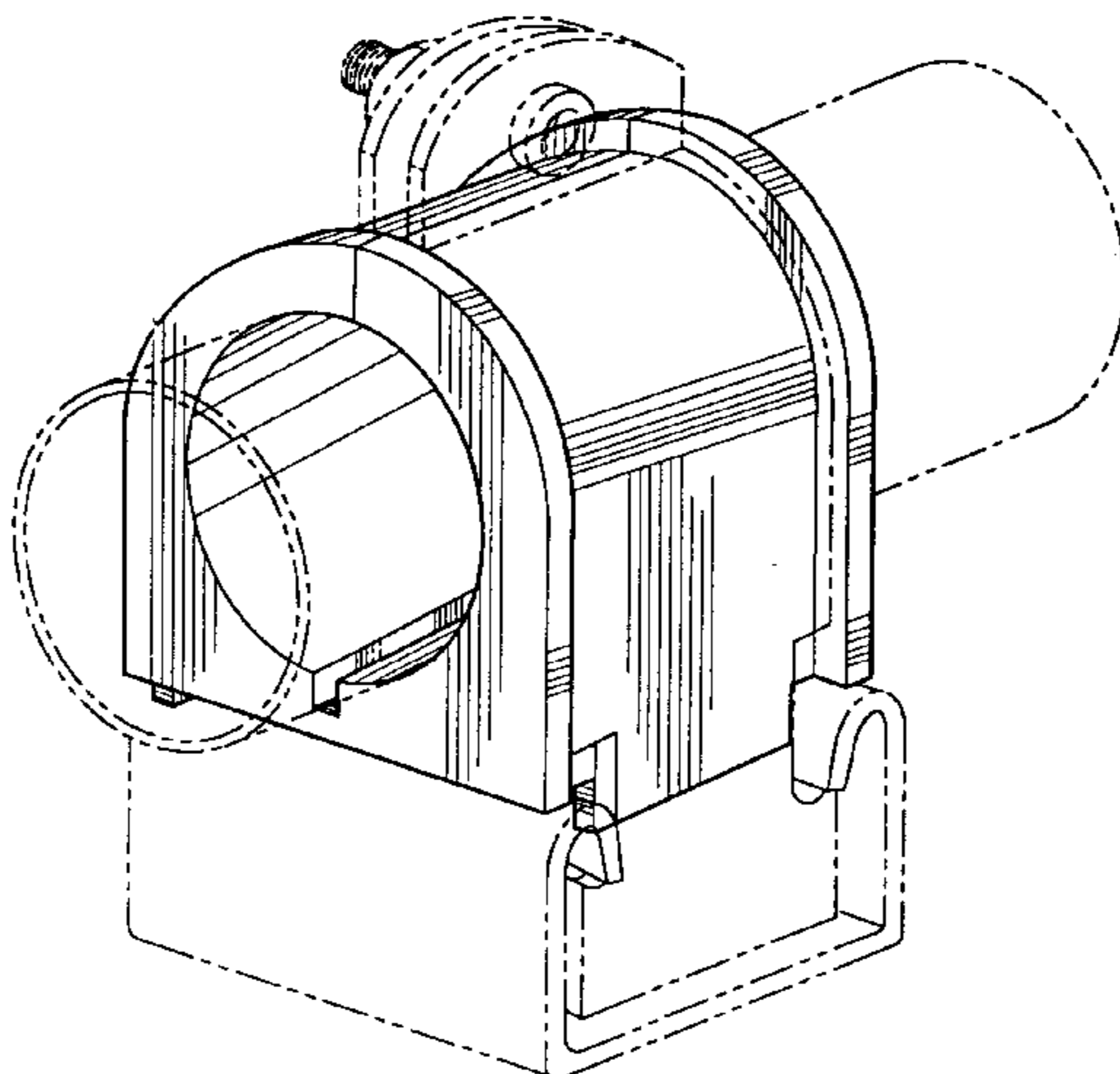
FIG. 3 is a front elevational view thereof, the rear is a mirror image;

FIG. 4 is a top plan view thereof;

FIG. 5 is a bottom view thereof; and,

FIG. 6 is a side elevational view thereof, the opposite side is a mirror image.

1 Claim, 2 Drawing Sheets



U.S. PATENT DOCUMENTS

3,854,684	12/1974	Moore .	4,640,479	2/1987	Shely et al. .
4,037,810	7/1977	Pate .	4,653,782	3/1987	Munday .
4,143,844	3/1979	Van Meter .	4,744,535	5/1988	Patenaude .
4,267,994	5/1981	Lynch et al. .	4,878,696	11/1989	Walker .
4,318,518	3/1982	Davis .	4,927,103	5/1990	Nicholson .
4,334,659	6/1982	Yuda .	4,934,635	6/1990	Sherman 248/74.1
4,417,755	11/1983	Gittleman 285/373	4,997,148	3/1991	Sherman 248/74.1
4,442,994	4/1984	Logsdon .	5,014,940	5/1991	Sherman .
4,516,296	5/1985	Sherman .	5,028,020	7/1991	Sundholm .
4,612,680	9/1986	Daiguji .	5,098,047	3/1992	Plumley .
4,614,321	9/1986	Andre .	5,215,281	6/1993	Sherman .
			5,435,506	7/1995	Wiley .

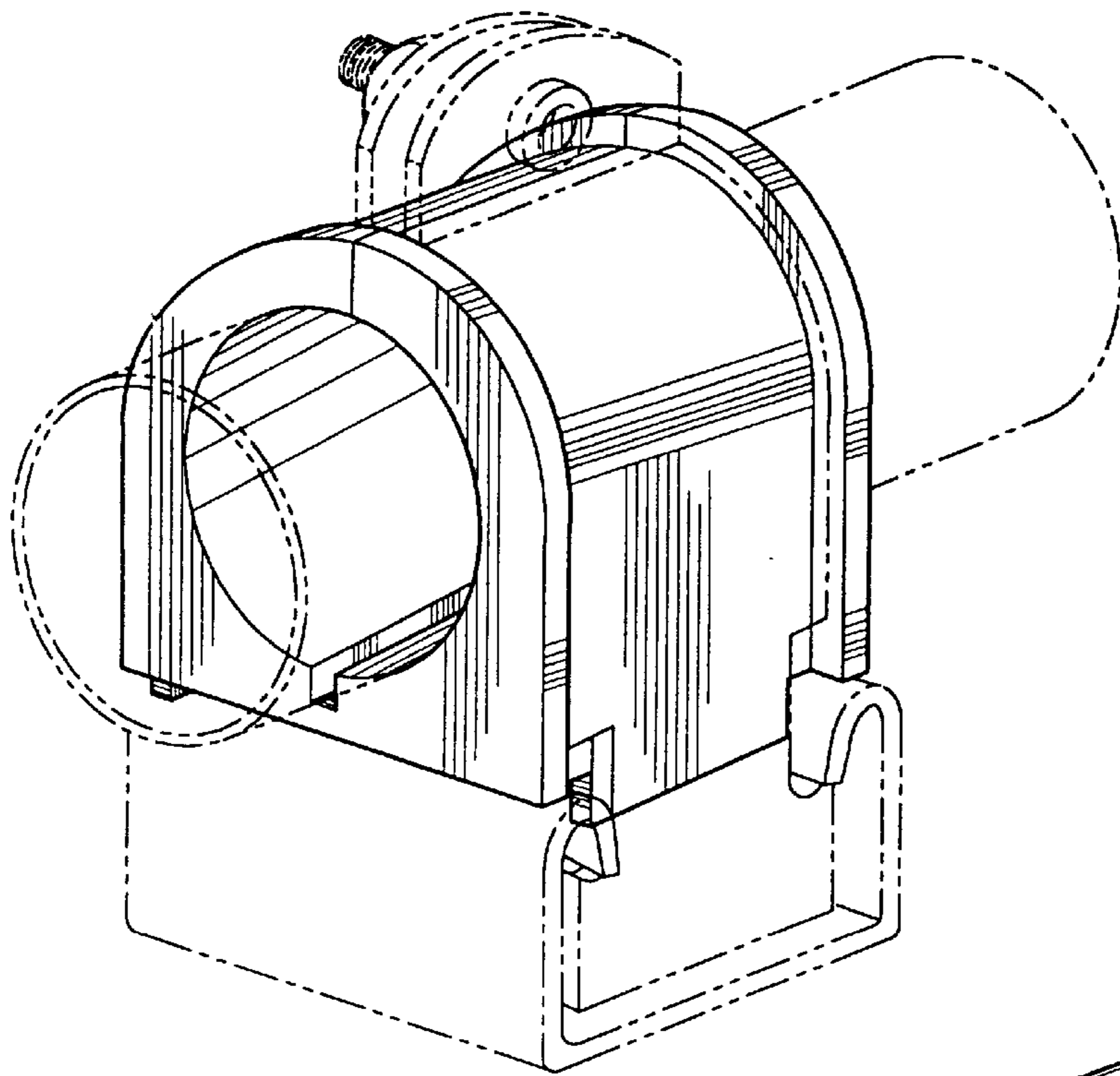


Fig-1

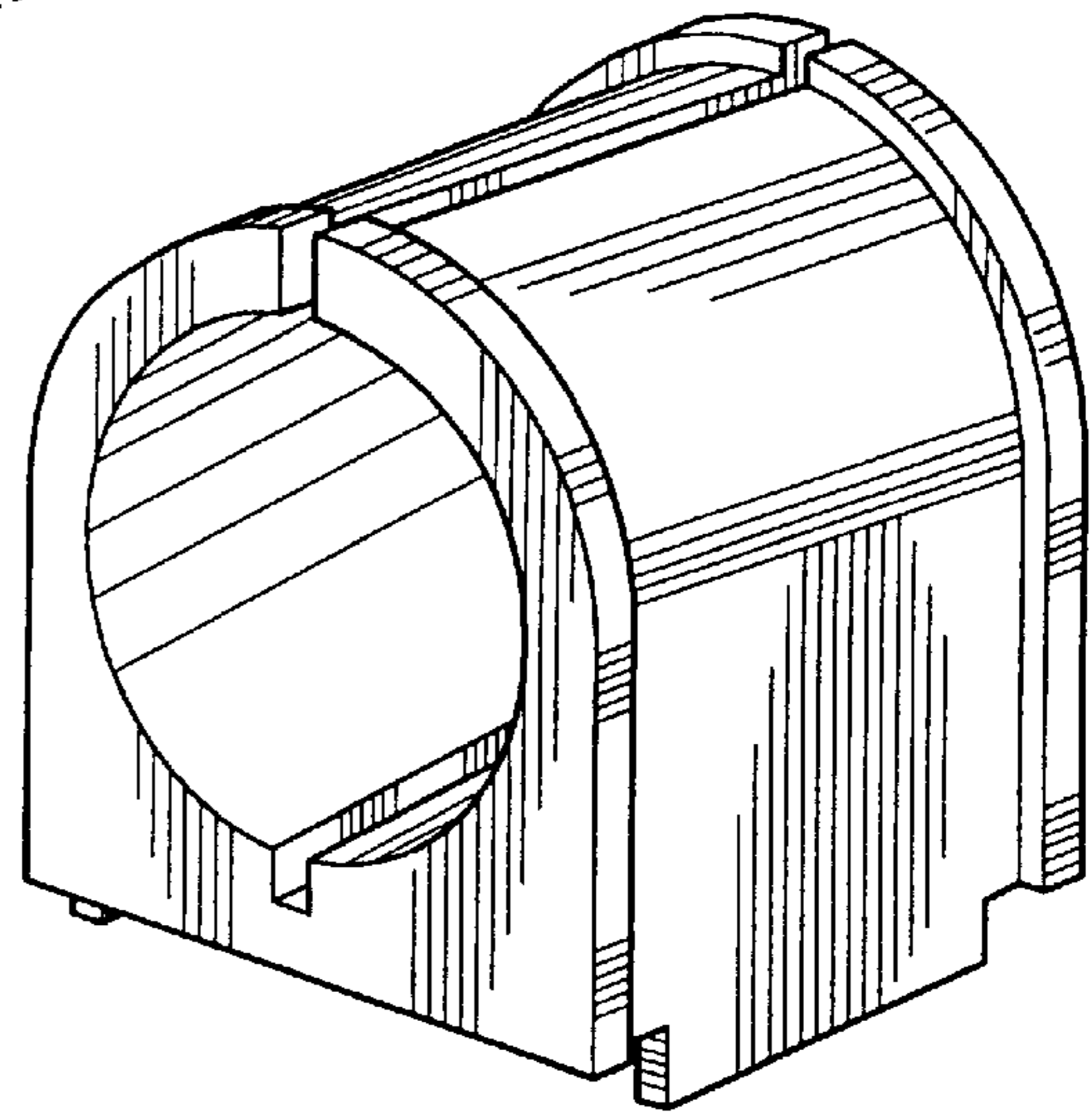


Fig-2

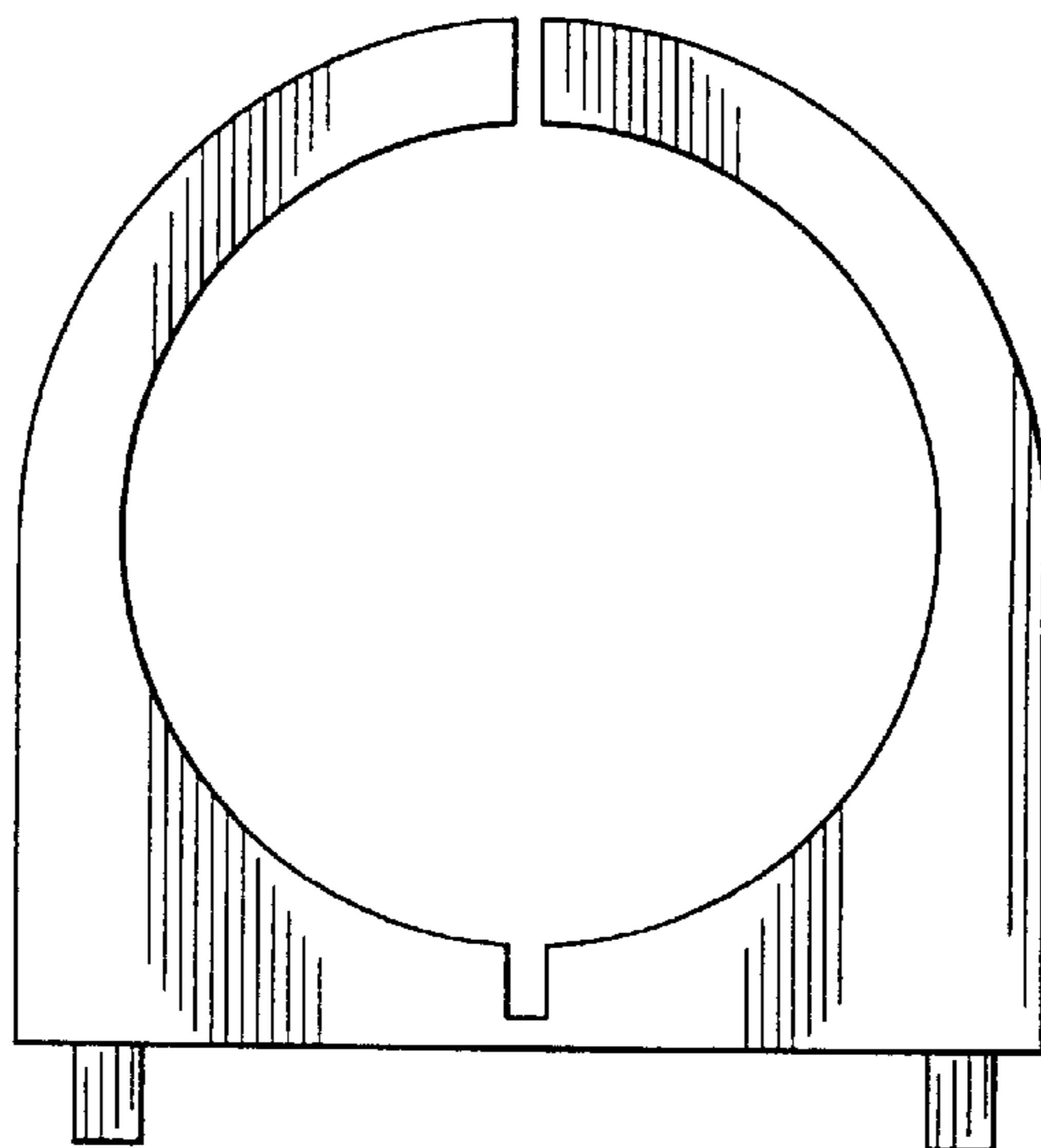


Fig-3

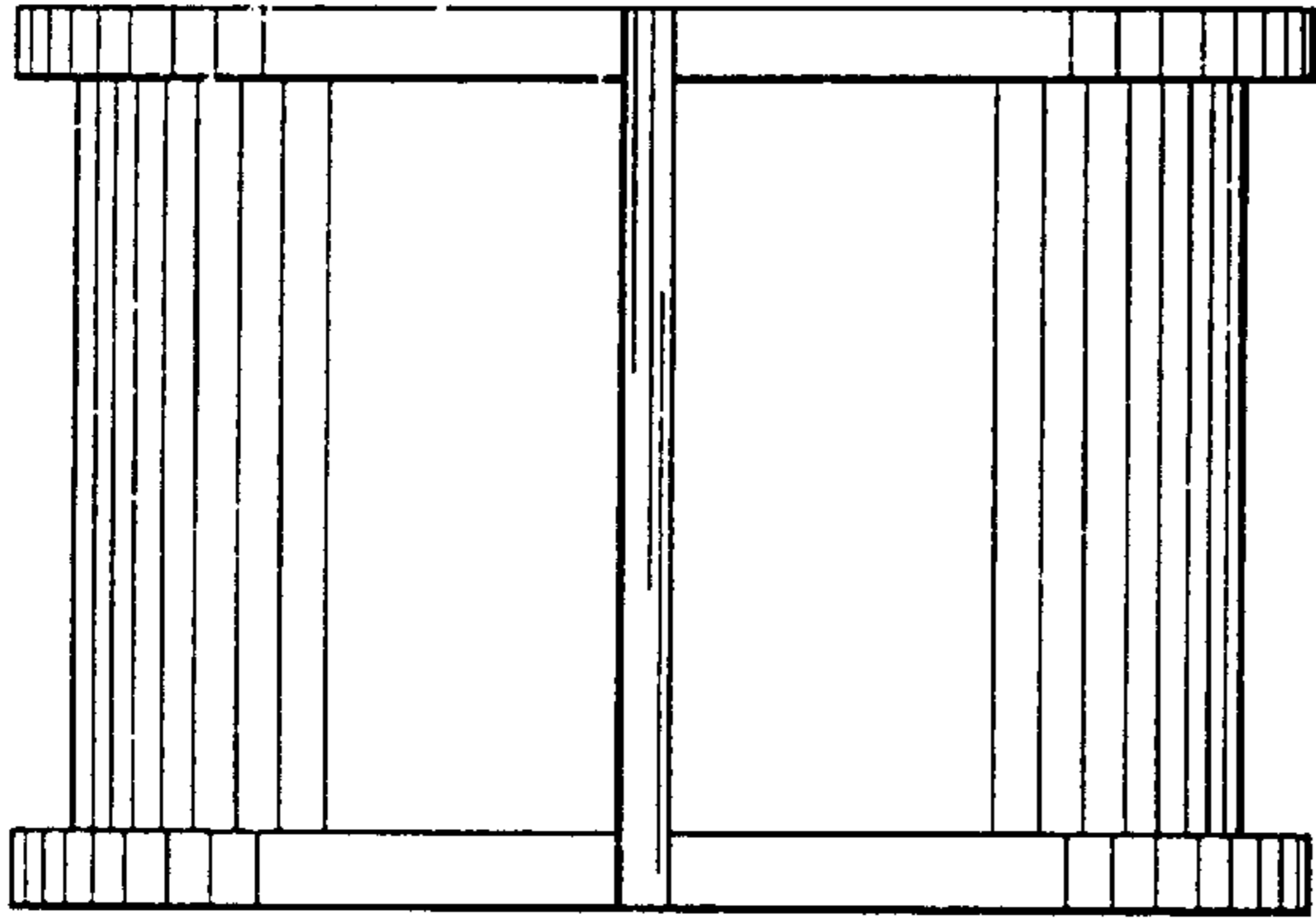


Fig-4

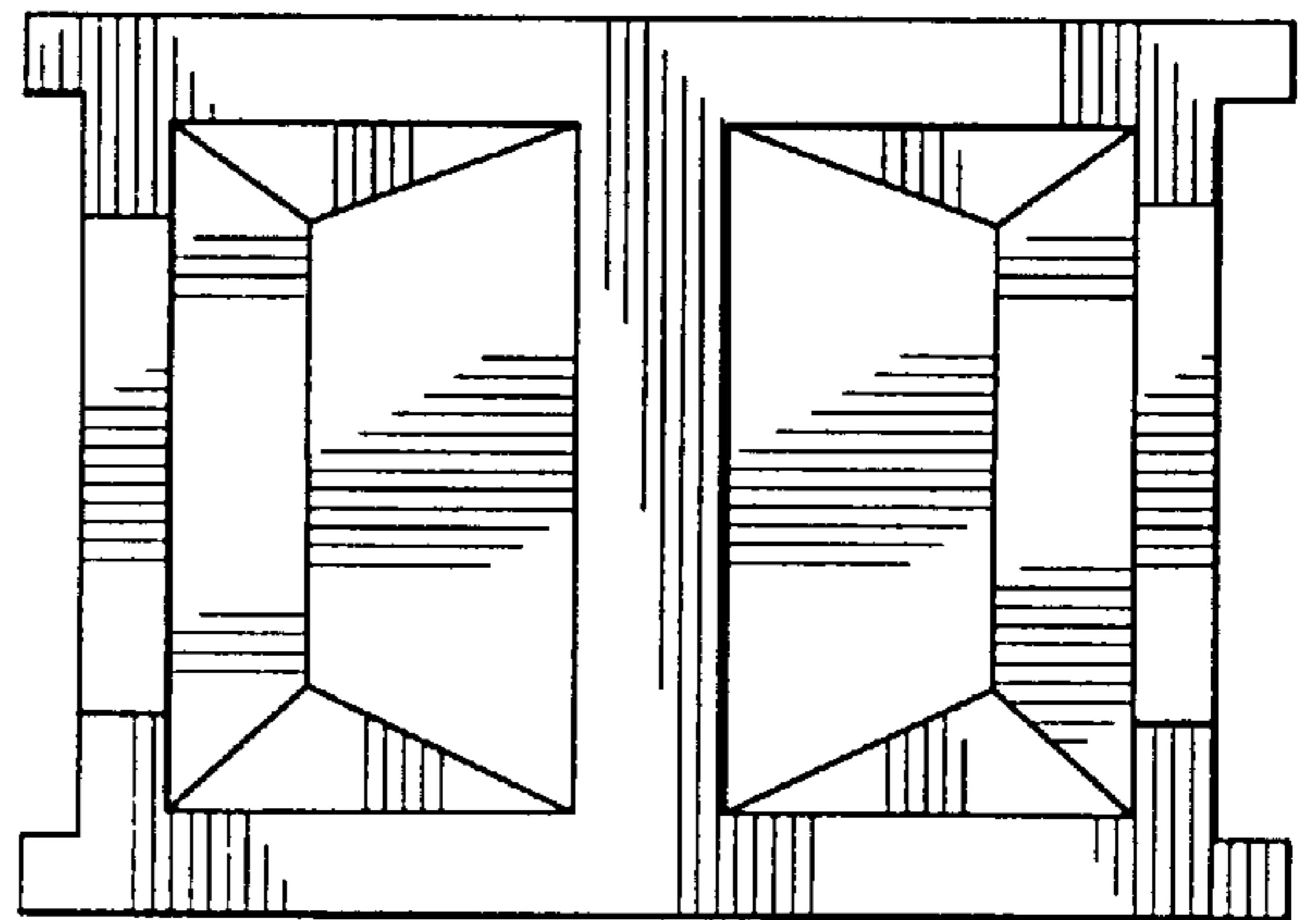


Fig-5

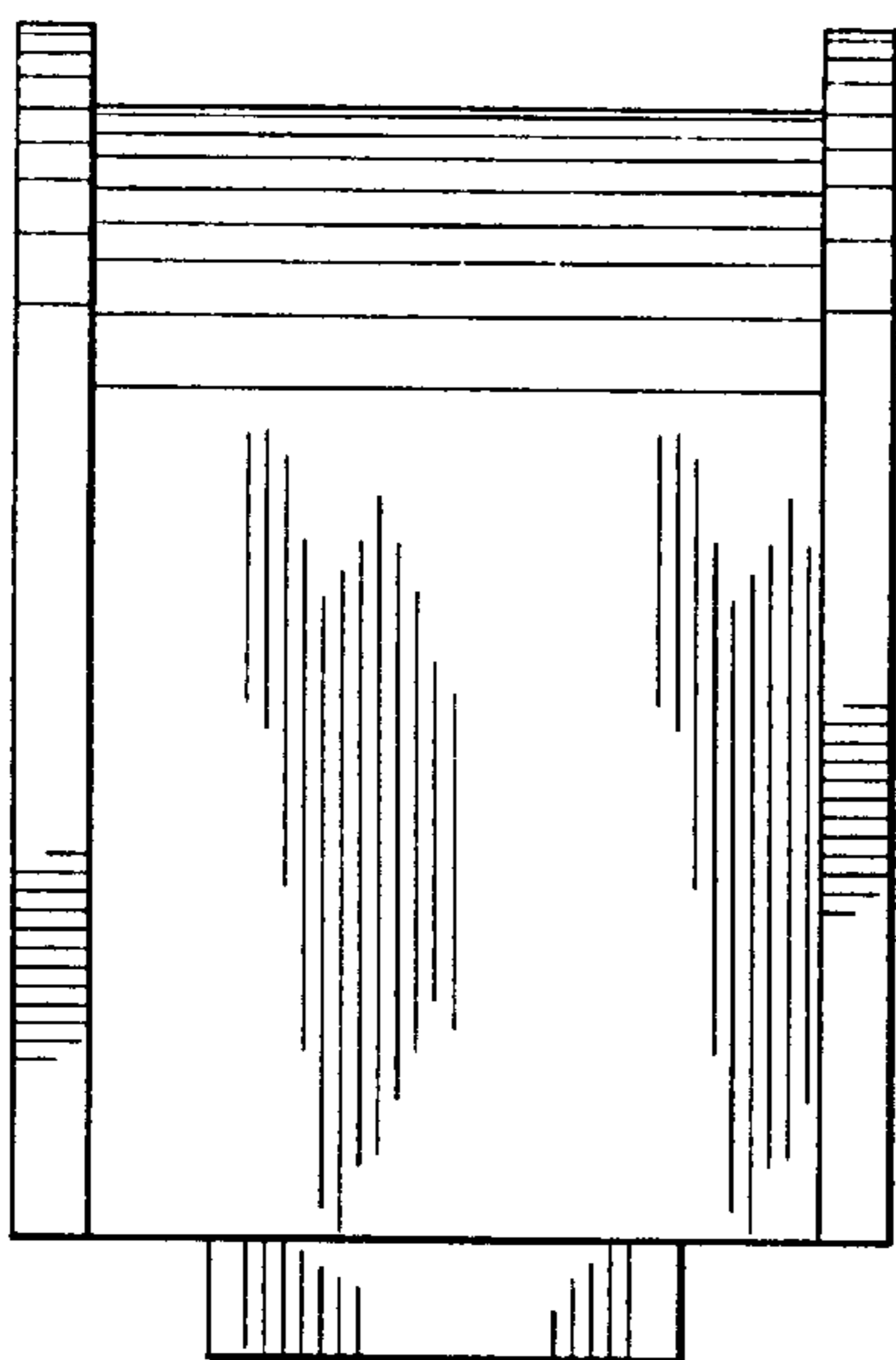


Fig-6