



US00D408724S

**United States Patent** [19]  
**Flinn**

[11] **Patent Number: Des. 408,724**

[45] **Date of Patent: \*\* Apr. 27, 1999**

[54] **CLOTHESLINE HANGER ATTACHMENT**

[76] Inventor: **Gail E. Flinn**, 315 Conn Way, Vero Beach, Fla. 32963

[\*\*] Term: **14 Years**

[21] Appl. No.: **29/068,074**

[22] Filed: **Feb. 18, 1997**

[51] **LOC (6) Cl. .... 08-05**

[52] **U.S. Cl. .... D8/373**

[58] **Field of Search ..... D8/367, 373; 248/301, 248/304, 339, 317**

[56] **References Cited**

**U.S. PATENT DOCUMENTS**

|           |         |         |       |         |   |
|-----------|---------|---------|-------|---------|---|
| 1,653,769 | 12/1927 | Johnson | ..... | 248/317 | X |
| 3,007,666 | 11/1961 | Hamel   | ..... | 248/317 |   |
| 3,302,917 | 2/1967  | Winkler | ..... | 248/317 |   |
| 5,584,455 | 12/1996 | Artemi  | ..... | 248/214 |   |

*Primary Examiner*—Holly Baynham  
*Attorney, Agent, or Firm*—Gail E. Flinn

[57] **CLAIM**

The ornamental design for a clothesline hanger attachment, as shown and described.

**DESCRIPTION**

FIG. 1 is a front view of a clothesline hanger attachment showing my design.

FIG. 2 shows a side view of FIG. 1.

FIG. 3 is an environmental front elevational view.

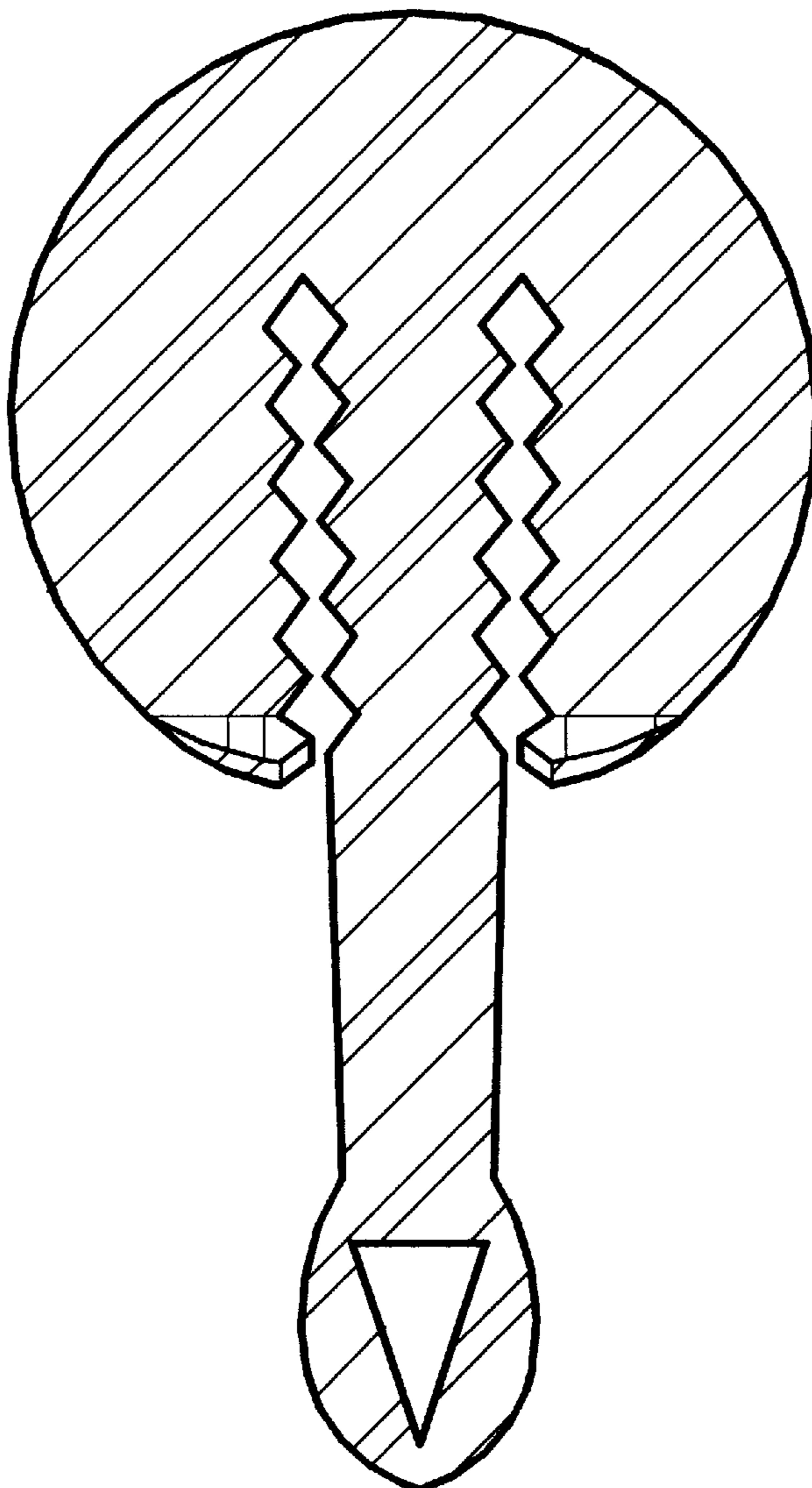
FIG. 4 is an environmental perspective view.

FIG. 5 is another environmental perspective view shown on a clothesline; and,

FIG. 6 is a front environmental view shown on a clothesline.

All broken line showings in figures of partial clothes hangers, garment, and clotheslines are for illustrative purposes only and form no part of the claimed design.

**1 Claim, 6 Drawing Sheets**



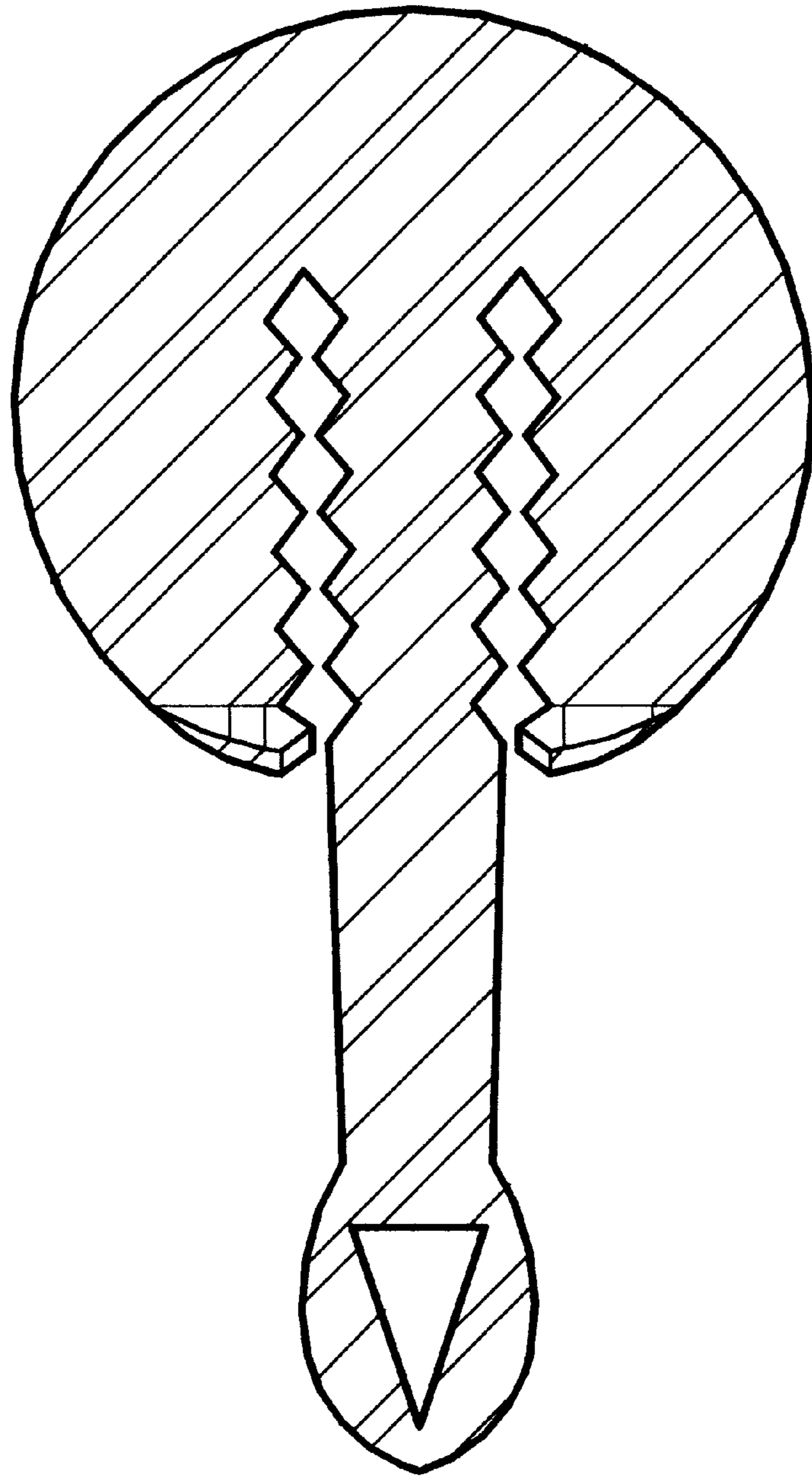
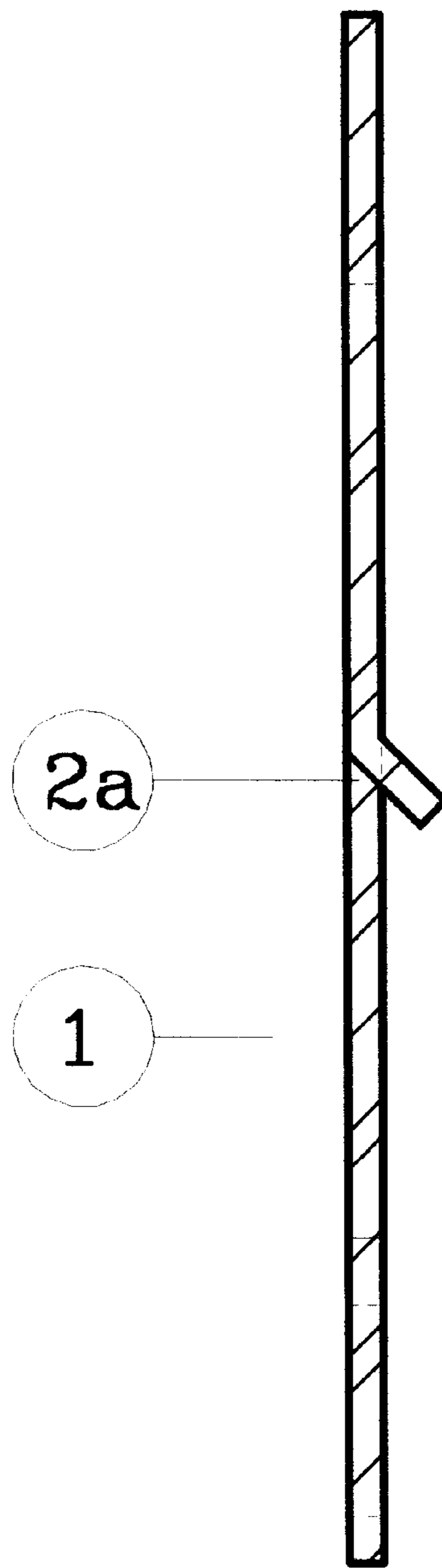


Figure 1



**Figure 2**

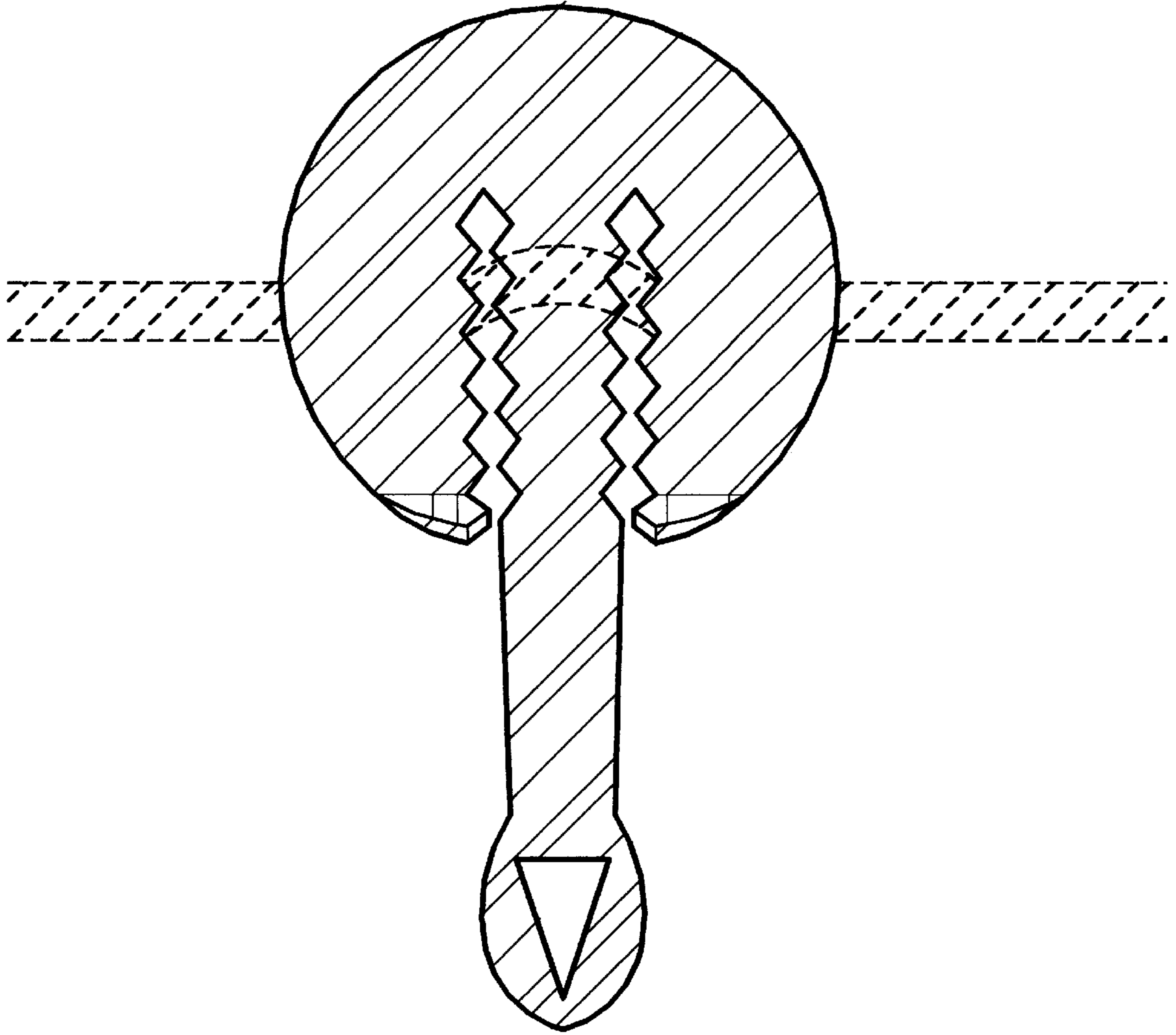


Figure 3

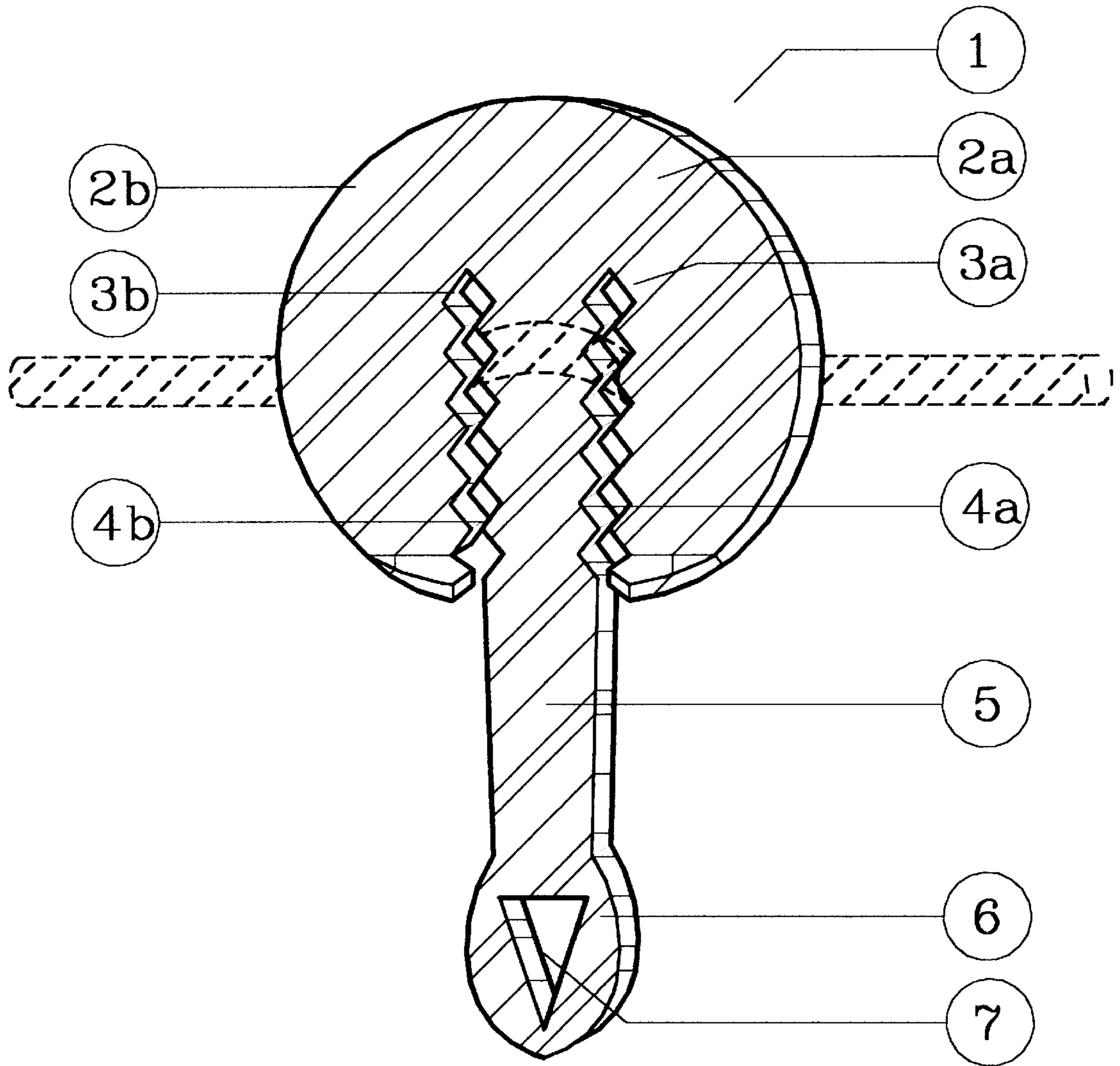


Figure 4

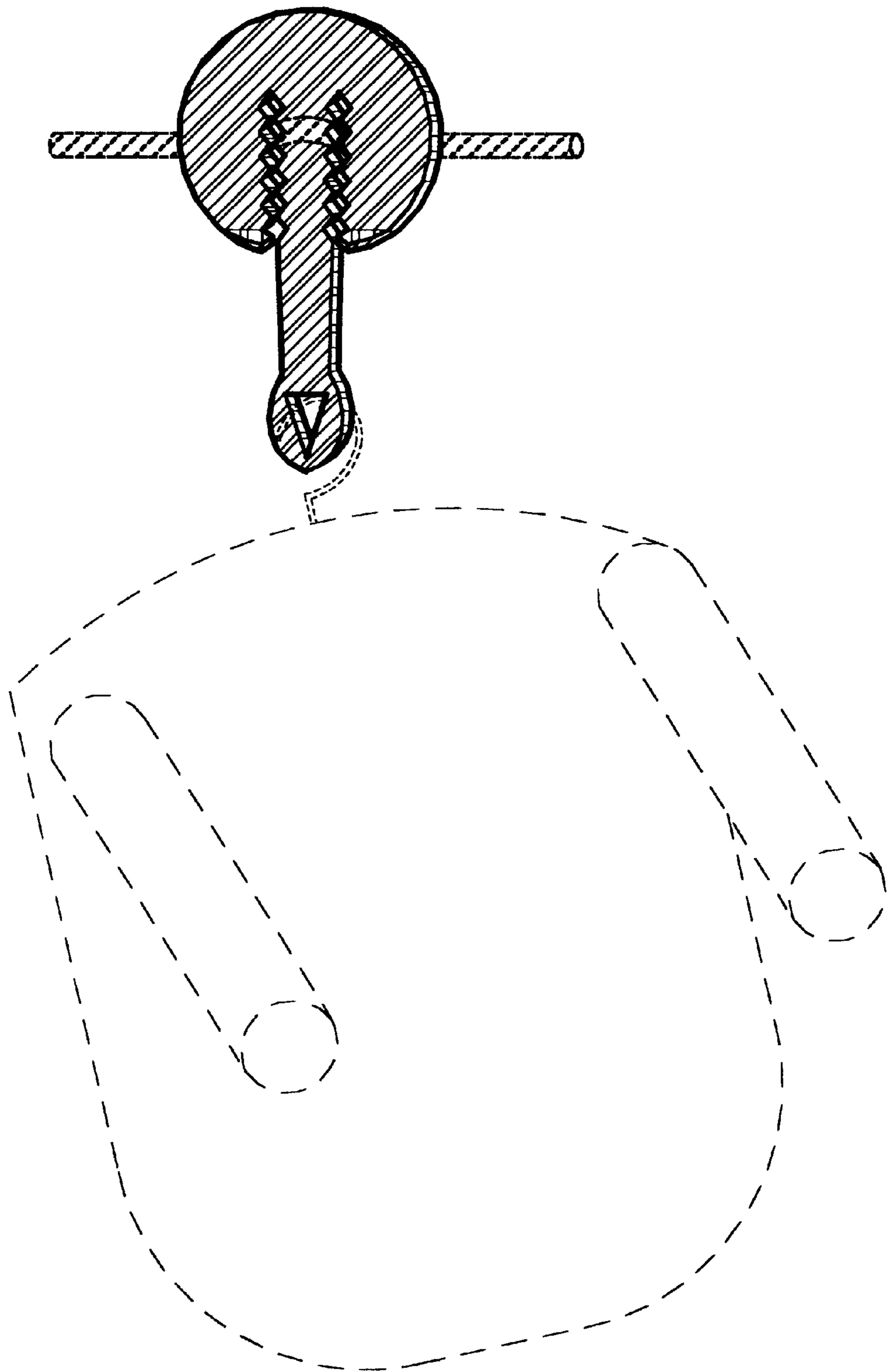


Figure 5

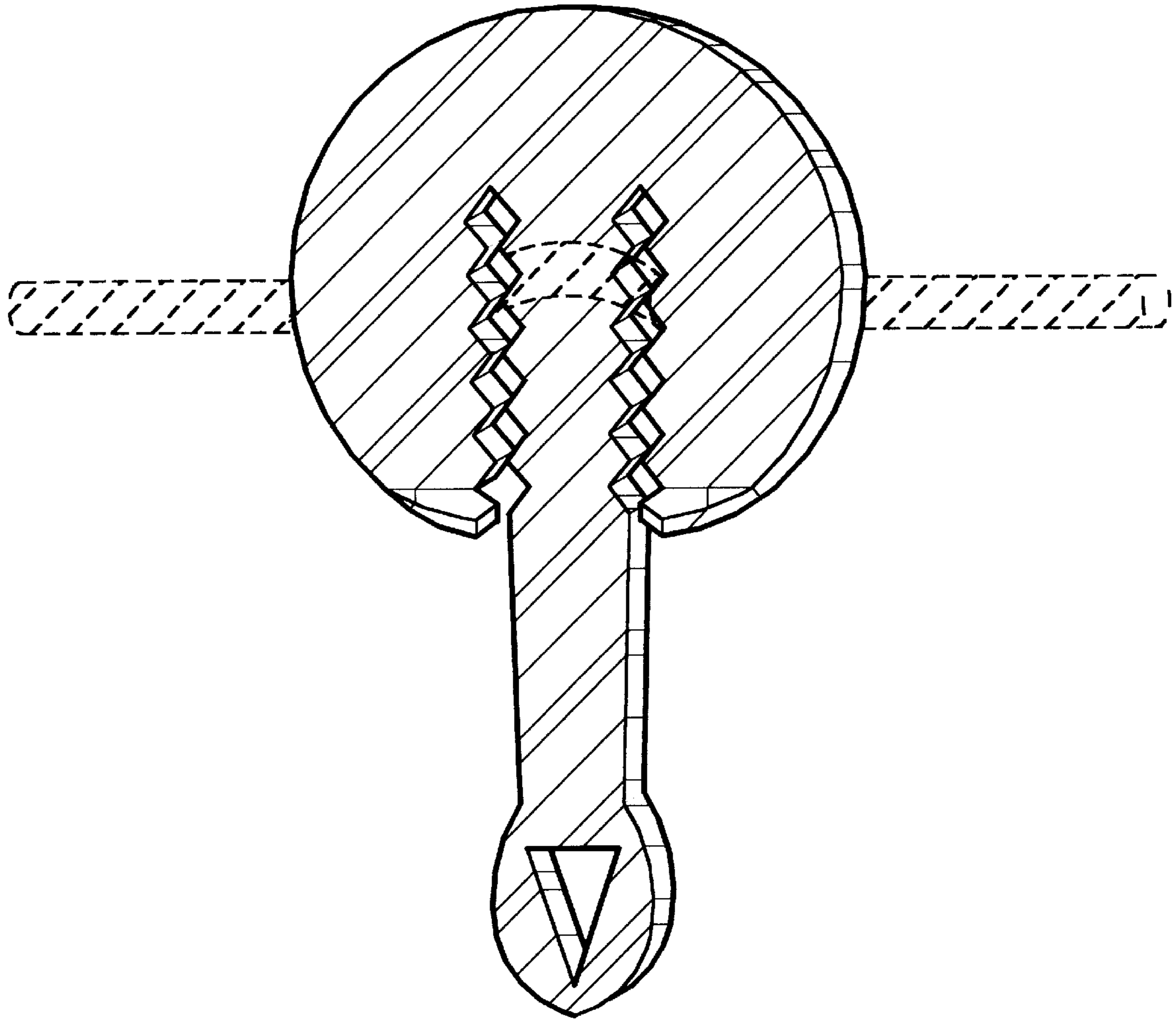


Figure 6