



US00D408722S

**United States Patent** [19]  
**Sartini**

[11] **Patent Number: Des. 408,722**

[45] **Date of Patent: \*\*Apr. 27, 1999**

[54] **DUAL CURTAIN ROD BRACKET**

[75] Inventor: **Eugene R. Sartini**, Fall River, Mass.

[73] Assignee: **Kenney Manufacturing Company**,  
Warwick, R.I.

[\*\*] Term: **14 Years**

[21] Appl. No.: **29/086,853**

[22] Filed: **Apr. 21, 1998**

[51] **LOC (6) Cl.** ..... **08-05**

[52] **U.S. Cl.** ..... **D8/363**

[58] **Field of Search** ..... D8/363, 349, 354;  
248/300, 200, 261-263, 267

[56] **References Cited**

**U.S. PATENT DOCUMENTS**

2,389,522 11/1945 Leppla ..... 248/300

*Primary Examiner*—Holly Baynham  
*Attorney, Agent, or Firm*—Robert J. Doherty

[57] **CLAIM**

The ornamental design for a dual curtain rod bracket, as shown.

**DESCRIPTION**

FIG. 1 is a front perspective view of a dual curtain rod bracket showing my new design;

FIG. 2 is a front elevational view thereof;

FIG. 3 is a rear elevational view thereof;

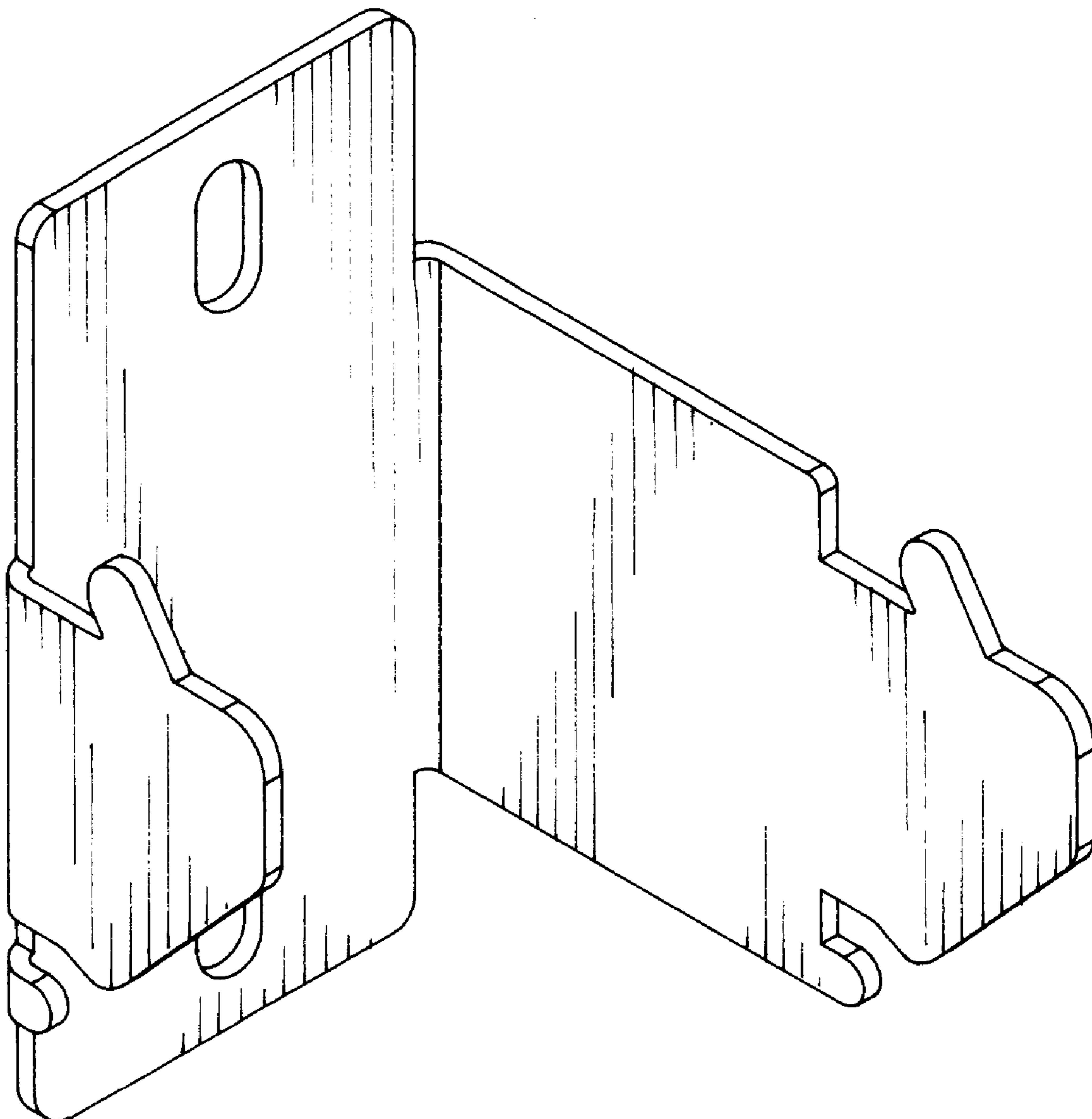
FIG. 4 is a left side elevational view thereof;

FIG. 5 is a right side elevational view thereof;

FIG. 6 is a top plan view thereof; and,

FIG. 7 is a bottom plan view thereof.

**1 Claim, 2 Drawing Sheets**



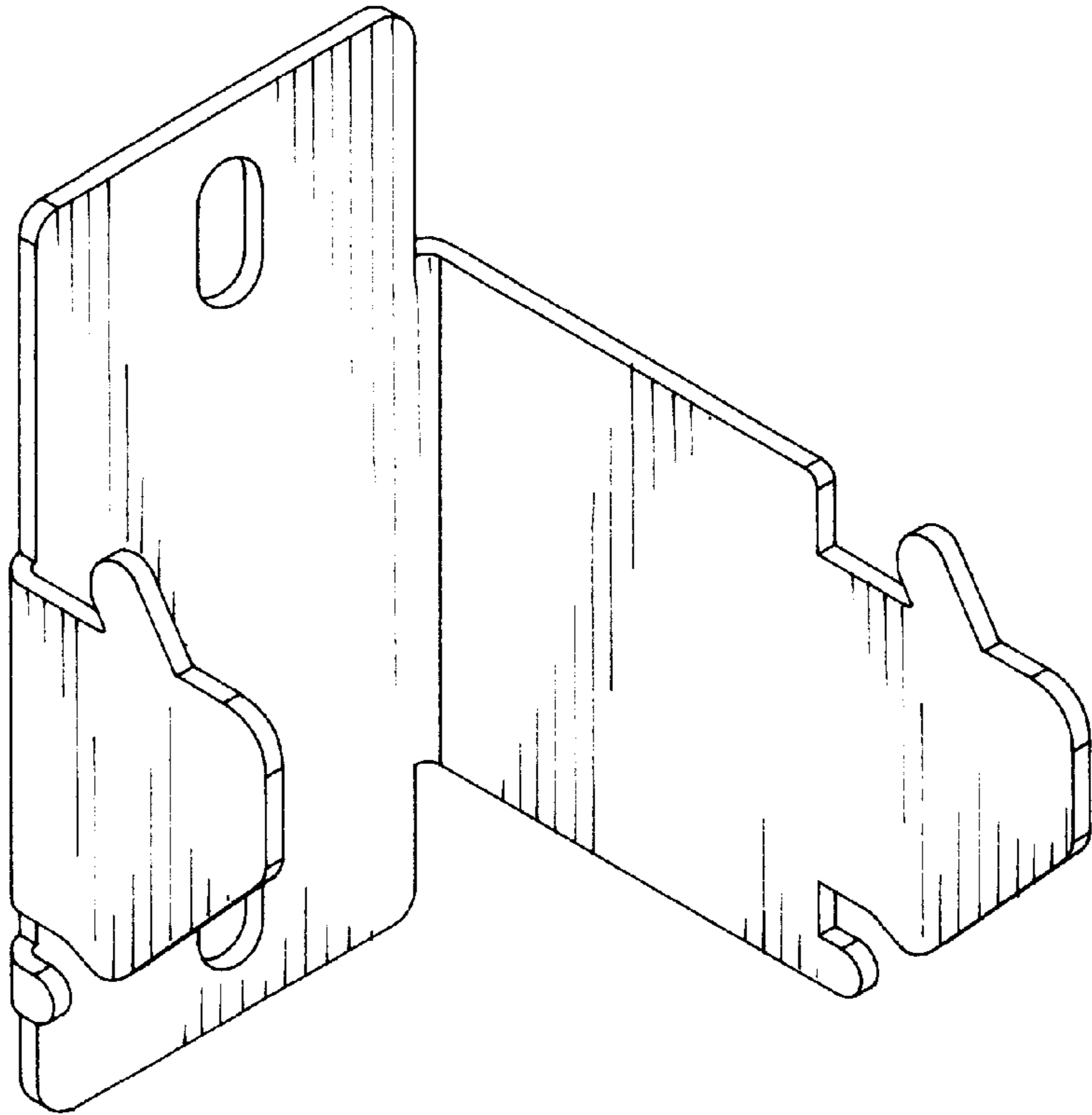


FIG. 1

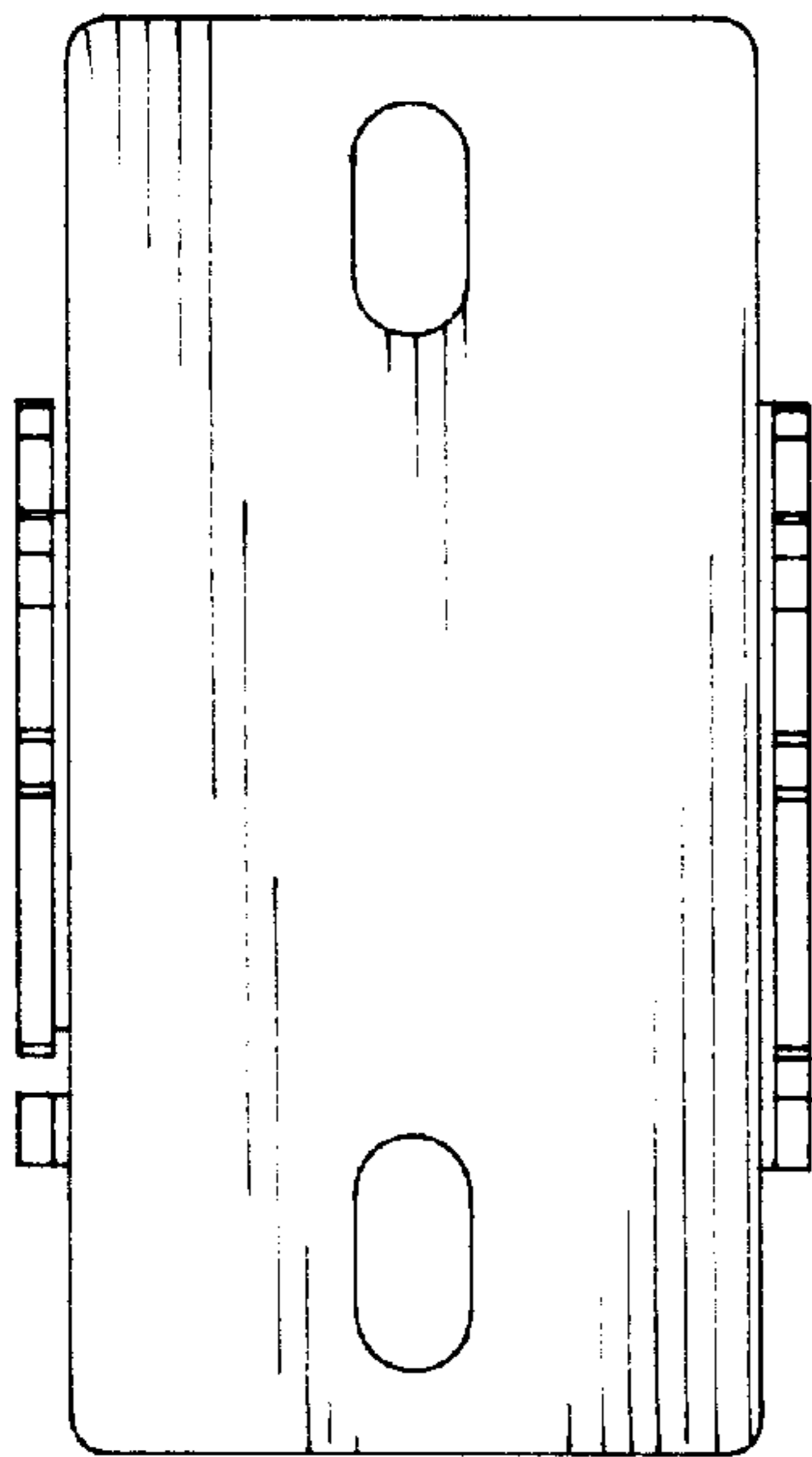


FIG. 2

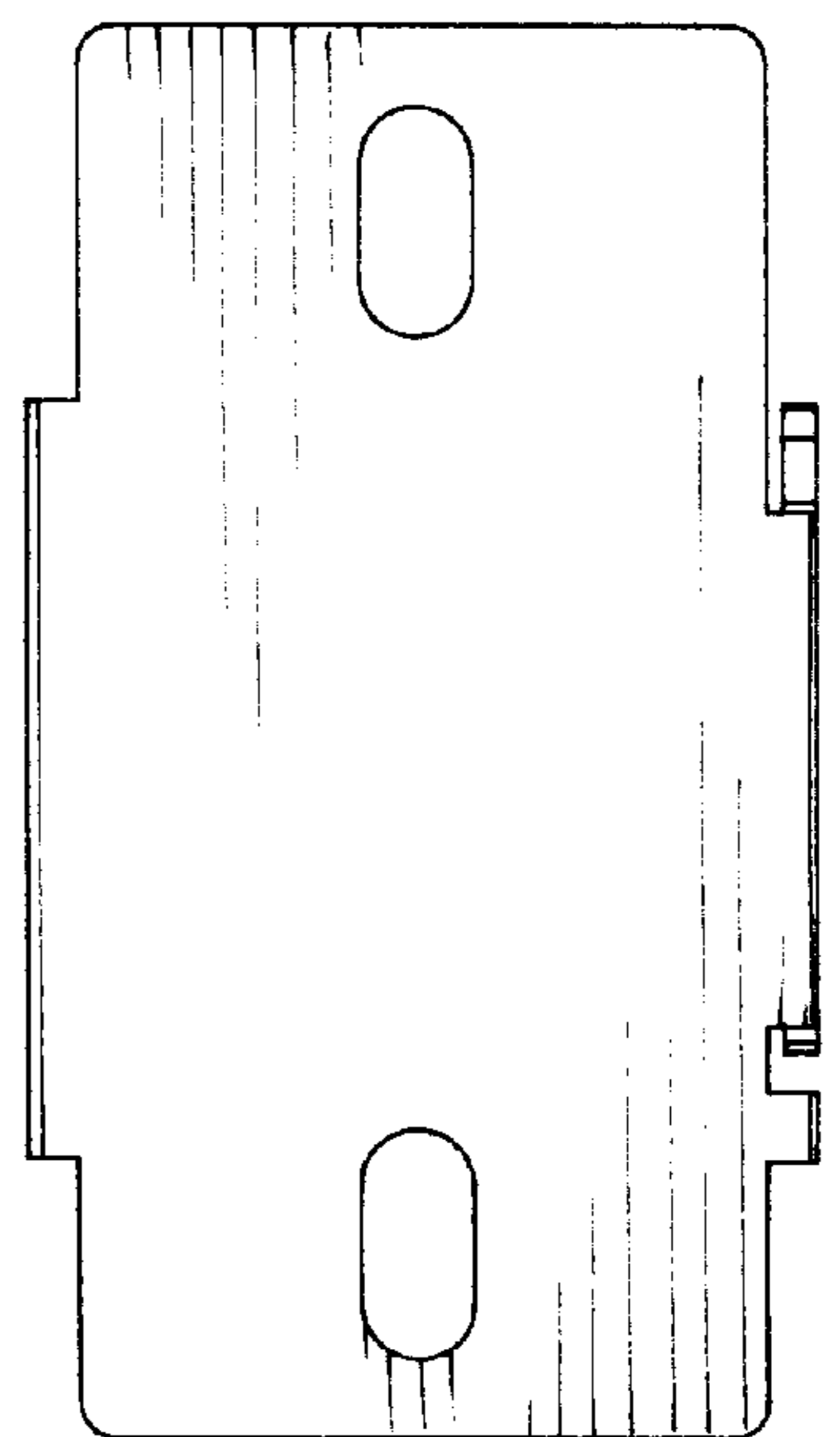


FIG. 3

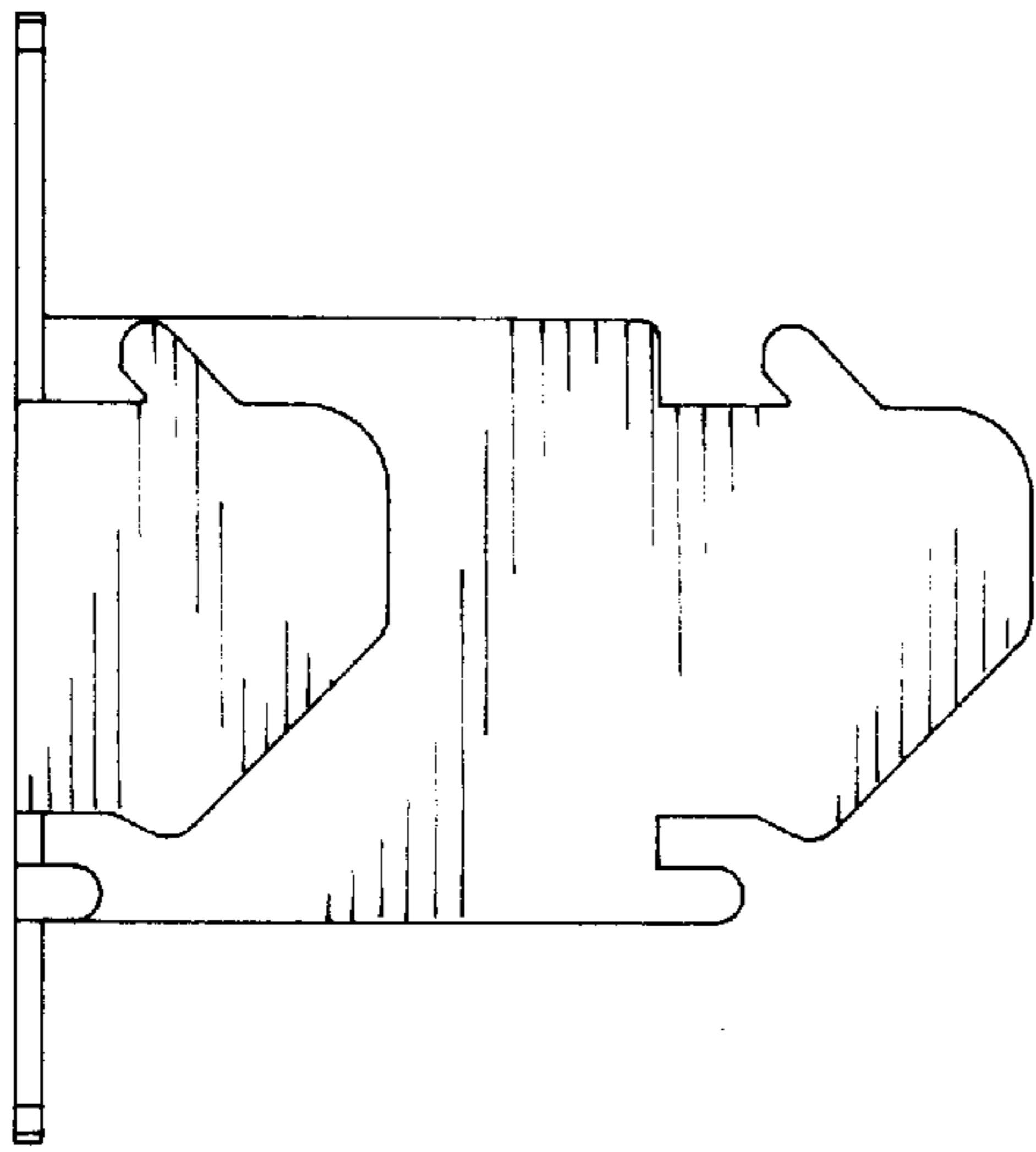


FIG. 4

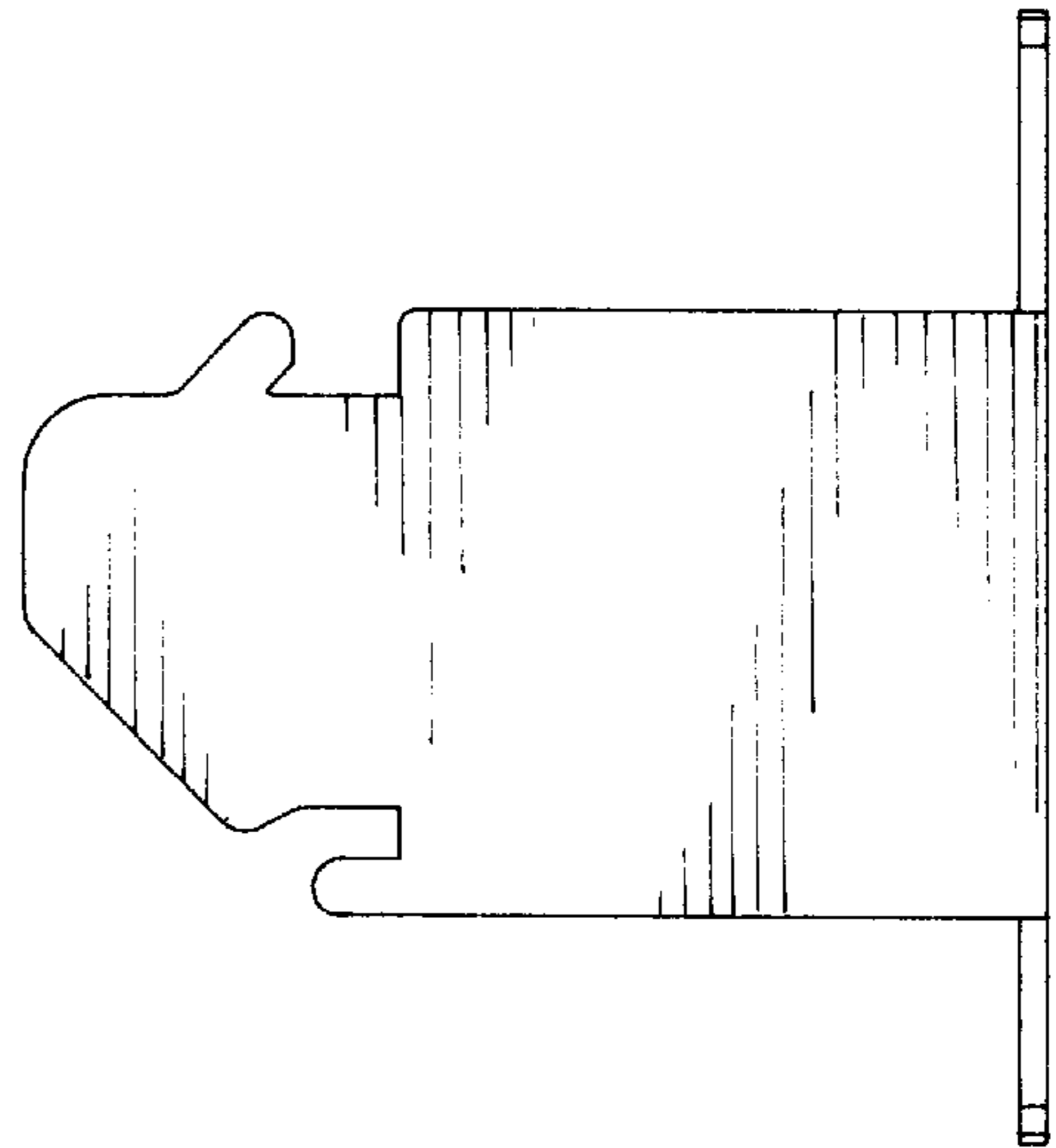


FIG. 5

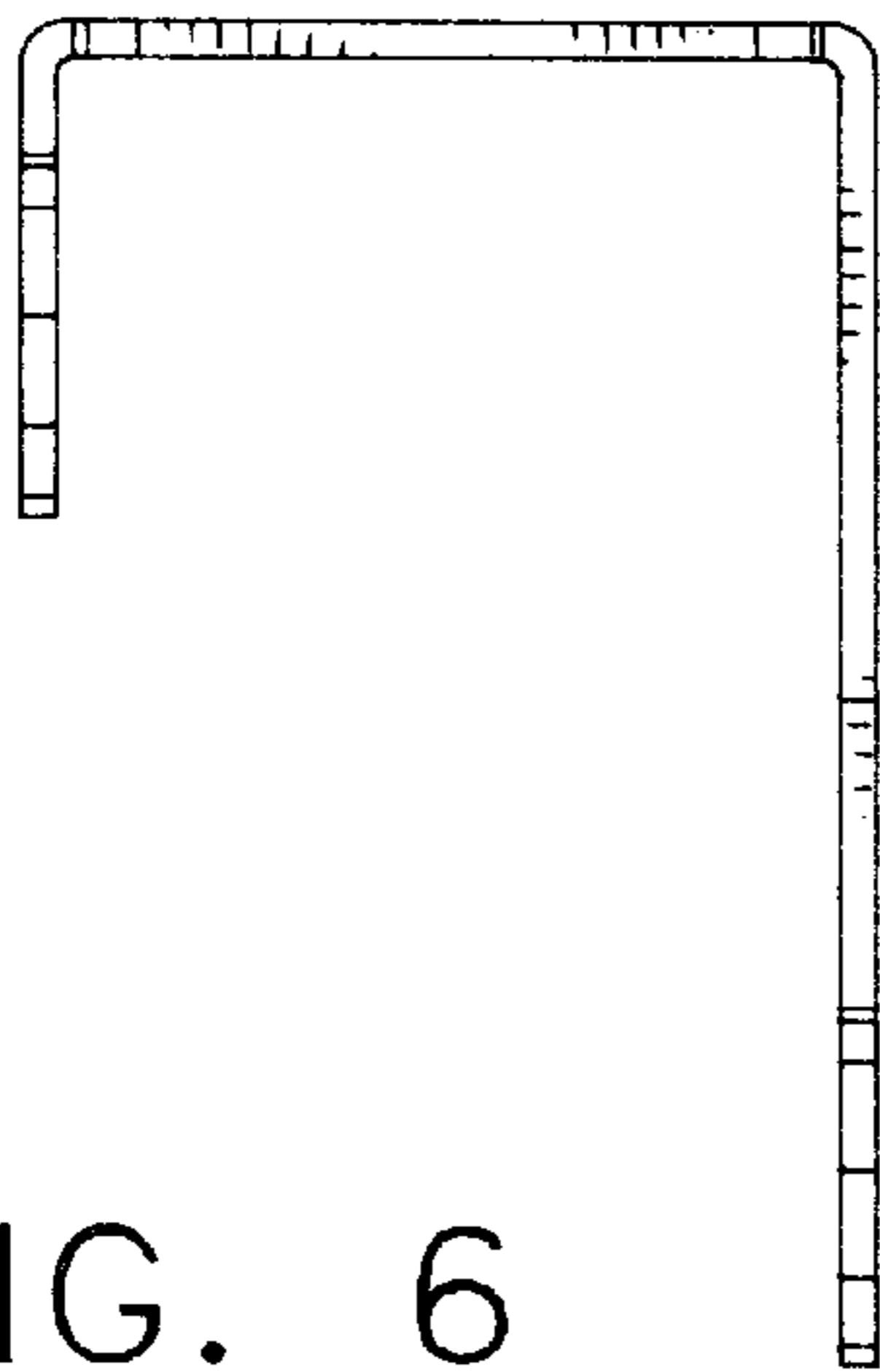


FIG. 6

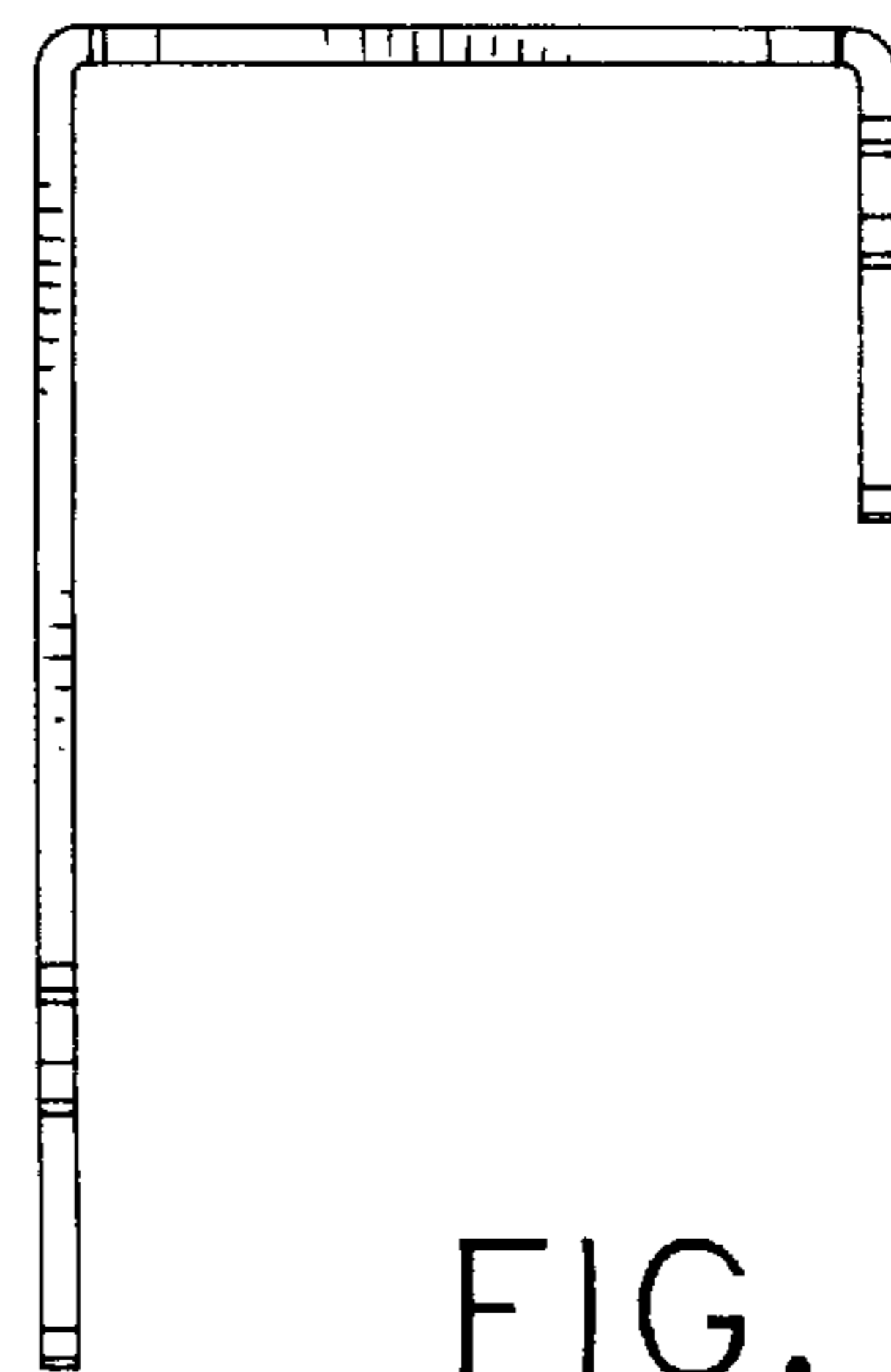


FIG. 7