

US00D408719S

United States Patent [19]

Kovacik et al.

[11] Patent Number: Des. 408,719

[45] Date of Patent: **Apr. 27, 1999

[54] ELECTRIC CORD STORAGE UNIT

4,392,661 7/1983 Langenstein .
4,778,125 10/1988 Hu .

[75] Inventors: James D. Kovacik, Brecksville; Paul S. Blanch, Broadview Heights; Stanley E. Grzywna, Elyria, all of Ohio

Primary Examiner—Holly Baynham
Attorney, Agent, or Firm—MacMillan, Sobanski & Todd, LLC

[73] Assignee: Alert Stamping & Mfg. Co., Inc., Bedford Heights, Ohio

[57] CLAIM

[**] Term: 14 Years

The ornamental design for an electric cord storage unit, as shown and described.

[21] Appl. No.: 29/085,311

DESCRIPTION

[22] Filed: Mar. 20, 1998

[51] LOC (6) Cl. 08-05

[52] U.S. Cl. D8/358

[58] Field of Search D8/358-359; 242/388, 242/405.1, 405.2

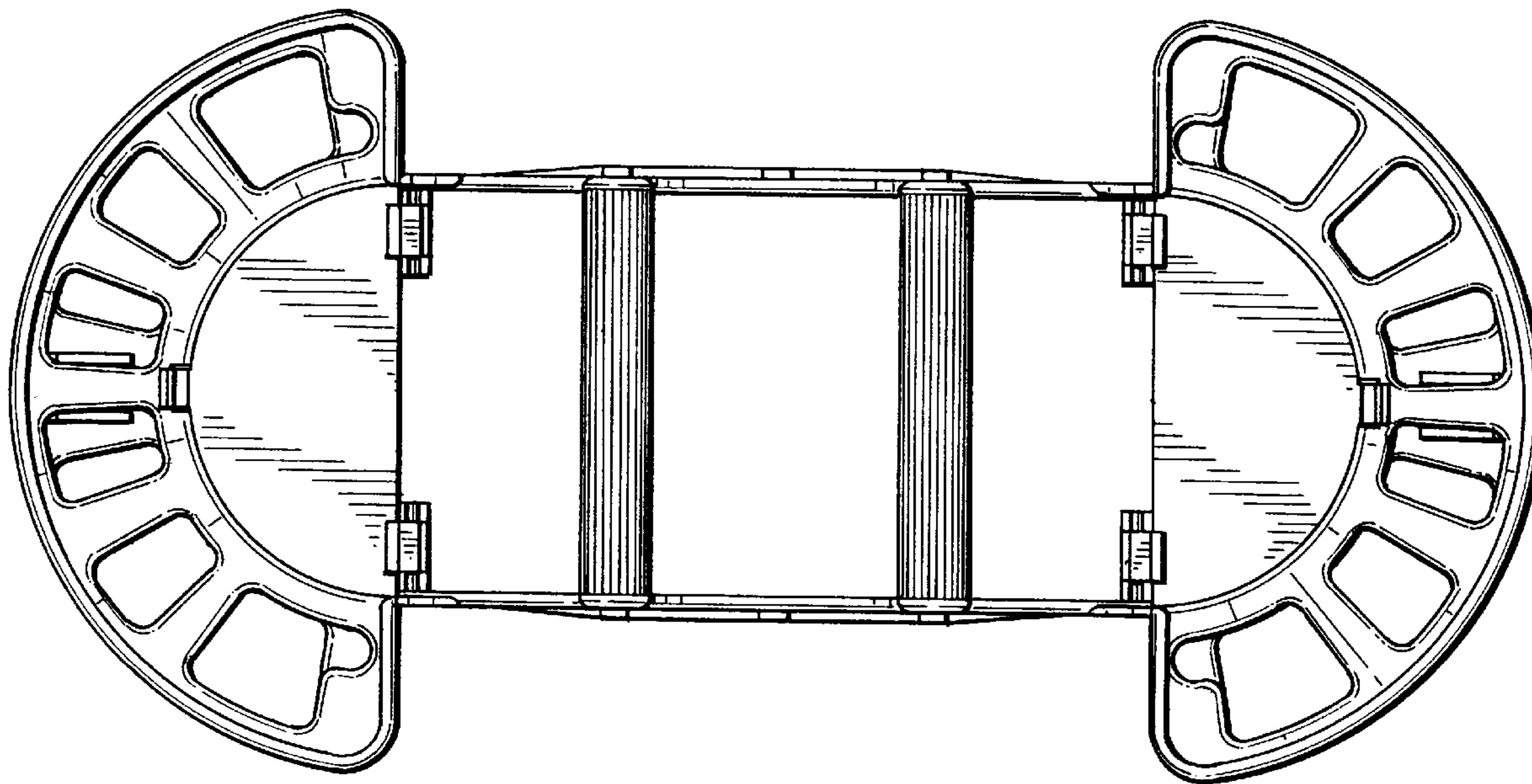
FIG. 1 is a perspective view for an electric cord storage unit incorporating the features of the present invention; FIG. 2 is a top plan view thereof; FIG. 3 is a front elevational view thereof, the rear elevational view is a mirror image; FIG. 4 is a right hand end elevational view thereof, the left hand elevational view is a mirror image; and FIG. 5 is a bottom plan view thereof. The broken line showing of a cord is for illustrative purposes only and forms no part of the claimed design.

[56] References Cited

U.S. PATENT DOCUMENTS

D. 368,847 4/1996 Davis D8/359
4,249,707 2/1981 Jones 242/405.1

1 Claim, 4 Drawing Sheets



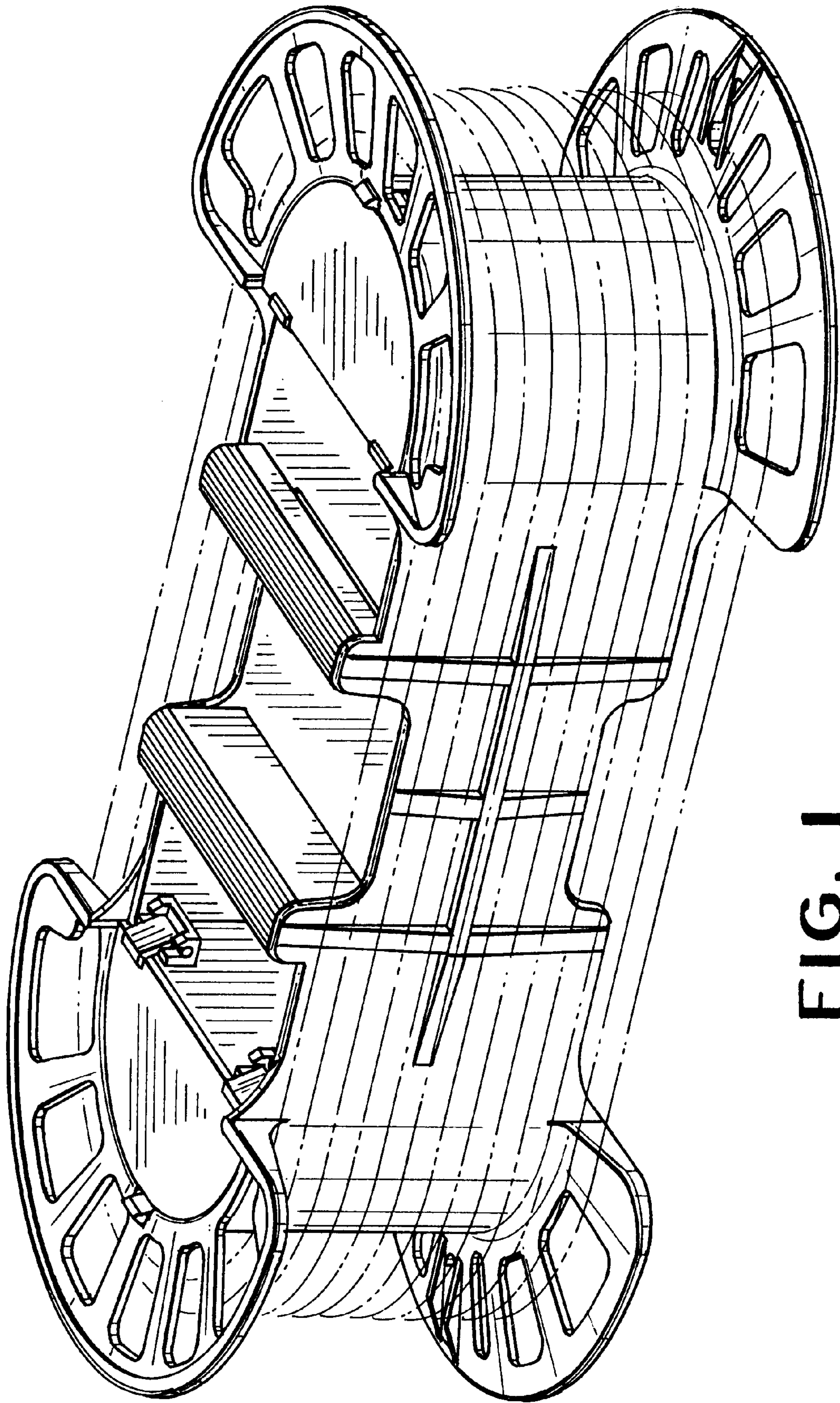


FIG. 1

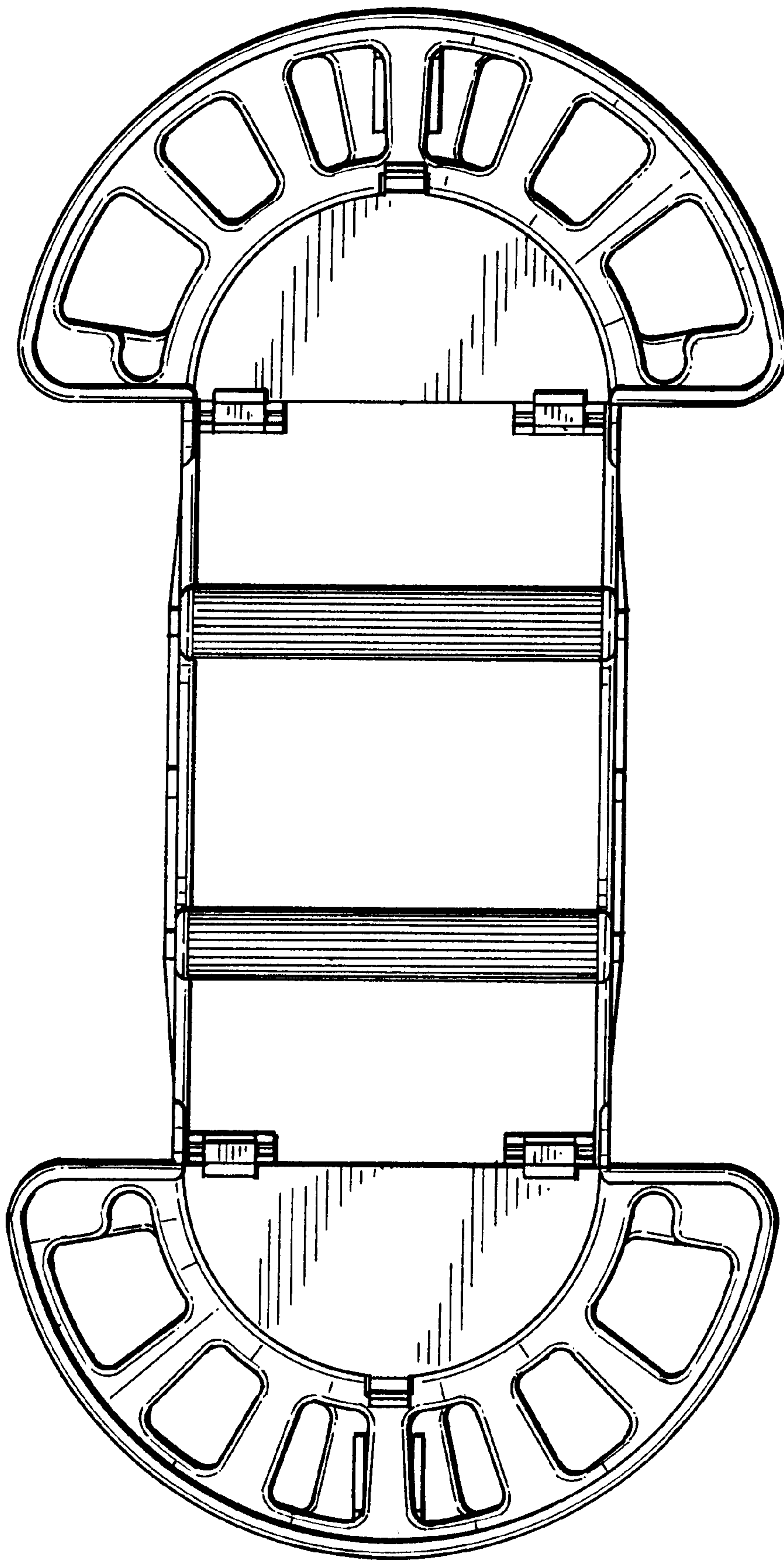


FIG. 2

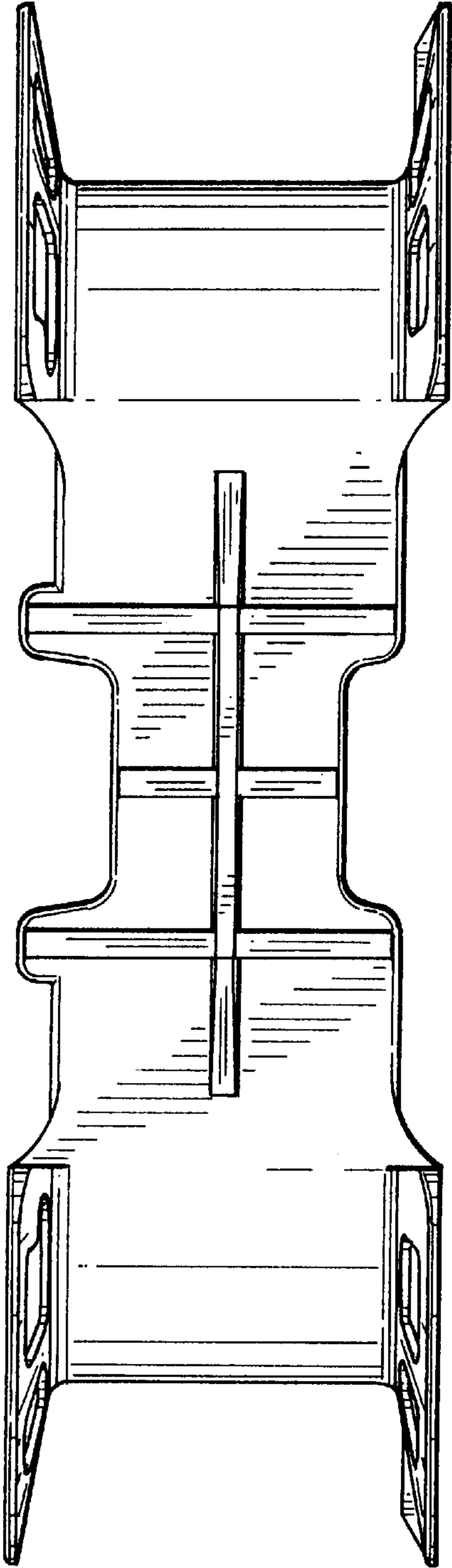


FIG. 3

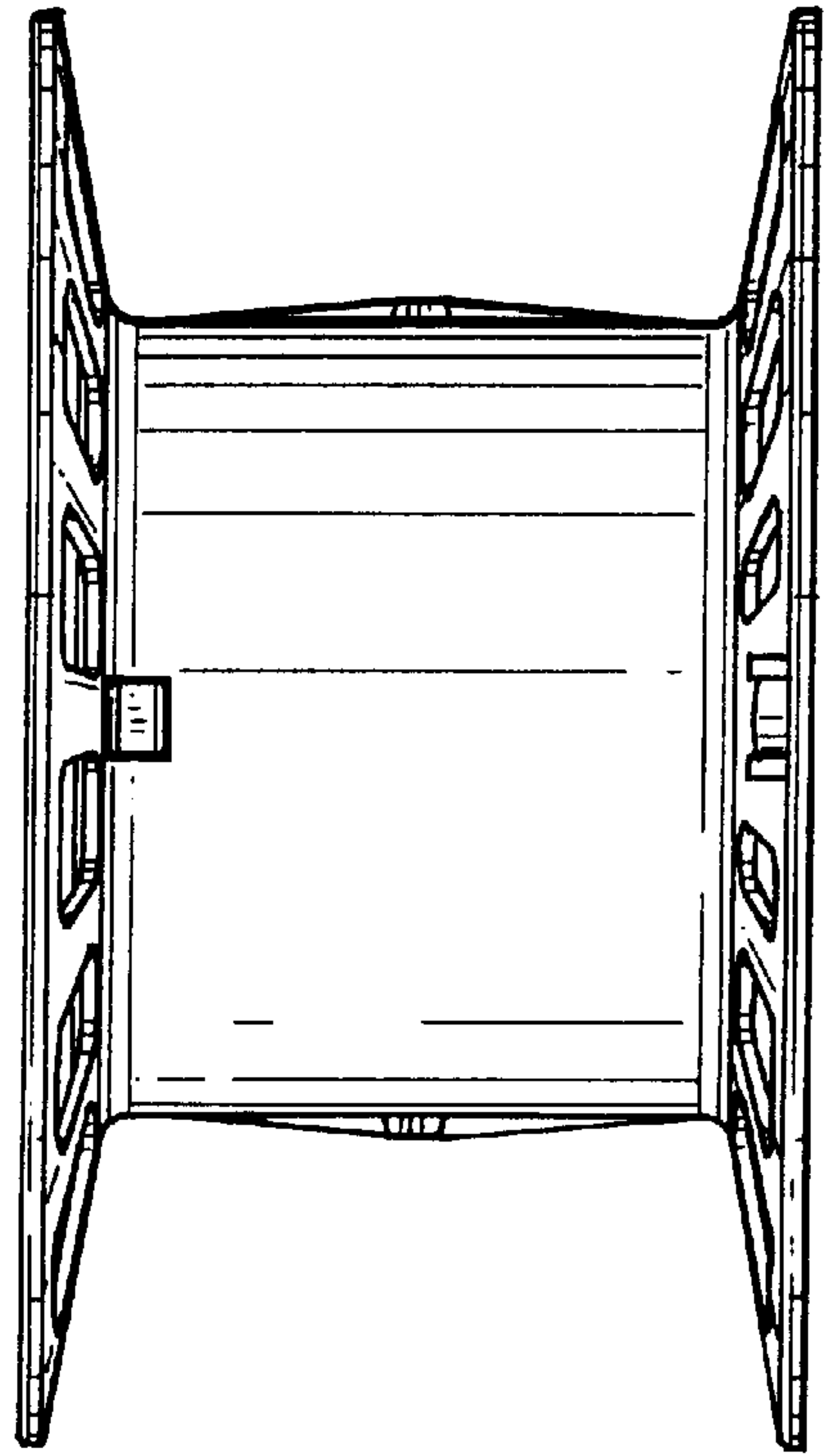


FIG. 4

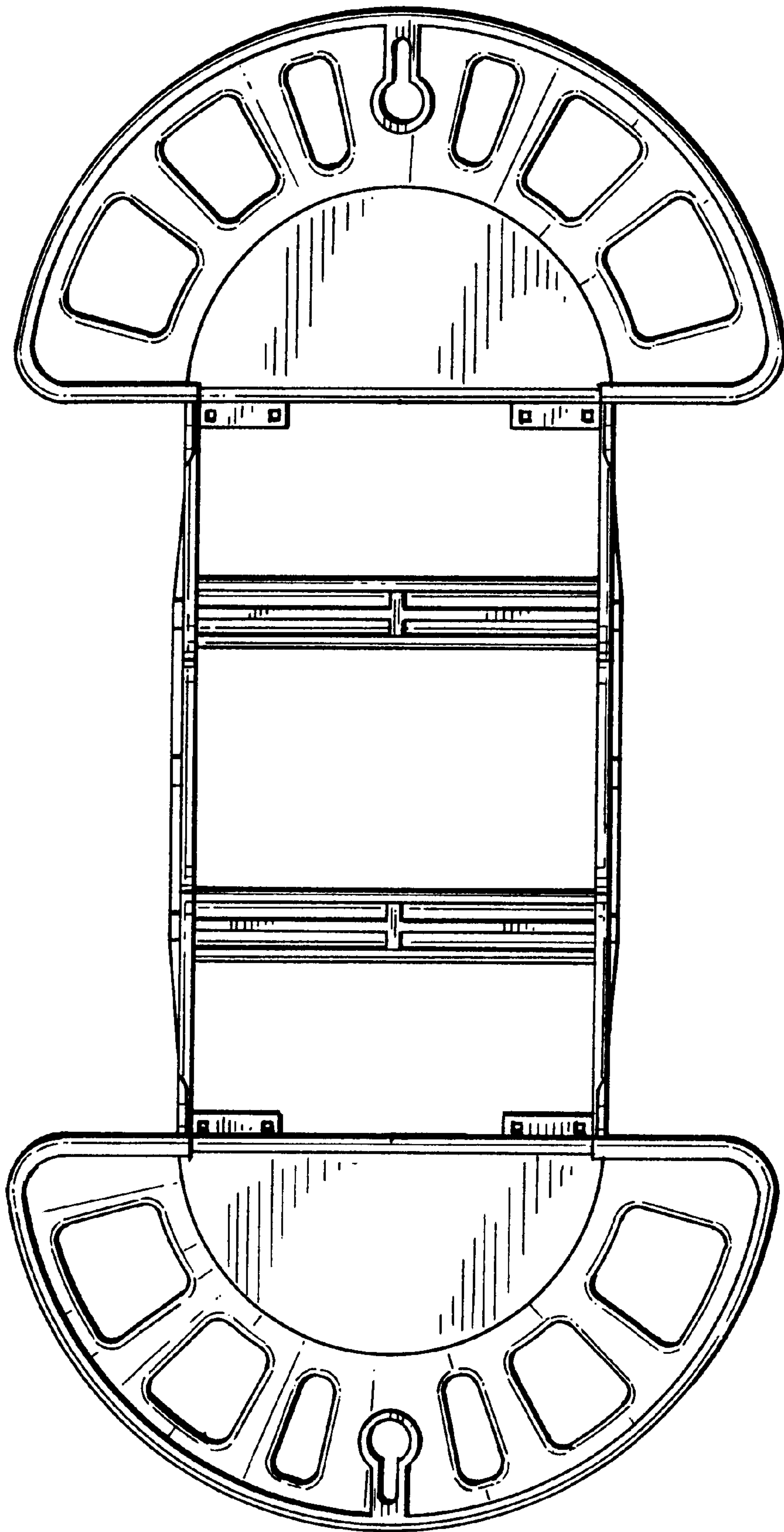


FIG. 5