



US00D408716S

United States Patent [19]

Vesledahl

[11] Patent Number: Des. 408,716

[45] Date of Patent: ** Apr. 27, 1999

[54] DOOR BRACKET

[76] Inventor: **Raymond G. Vesledahl**, 3724 Snelling Ave., Minneapolis, Minn. 55406

[**] Term: **14 Years**

[21] Appl. No.: **29/089,002**

[22] Filed: **Jun. 5, 1998**

[51] LOC (6) Cl. **08-05**

[52] U.S. Cl. **D8/354**

[58] Field of Search D8/349, 354; 248/200, 248/201, 300, 27.1, 229.1, 243; 52/712, 715

[56] **References Cited**

U.S. PATENT DOCUMENTS

D. 248,274	6/1978	Kingston et al.	D8/354
D. 368,218	3/1996	Klein, III	D8/354
2,691,502	10/1954	Jones	248/243
3,286,762	11/1966	McIntosh et al.	431/80
5,170,976	12/1992	Lundman	248/300

Primary Examiner—Holly Baynham
Attorney, Agent, or Firm—D. L. Tschida

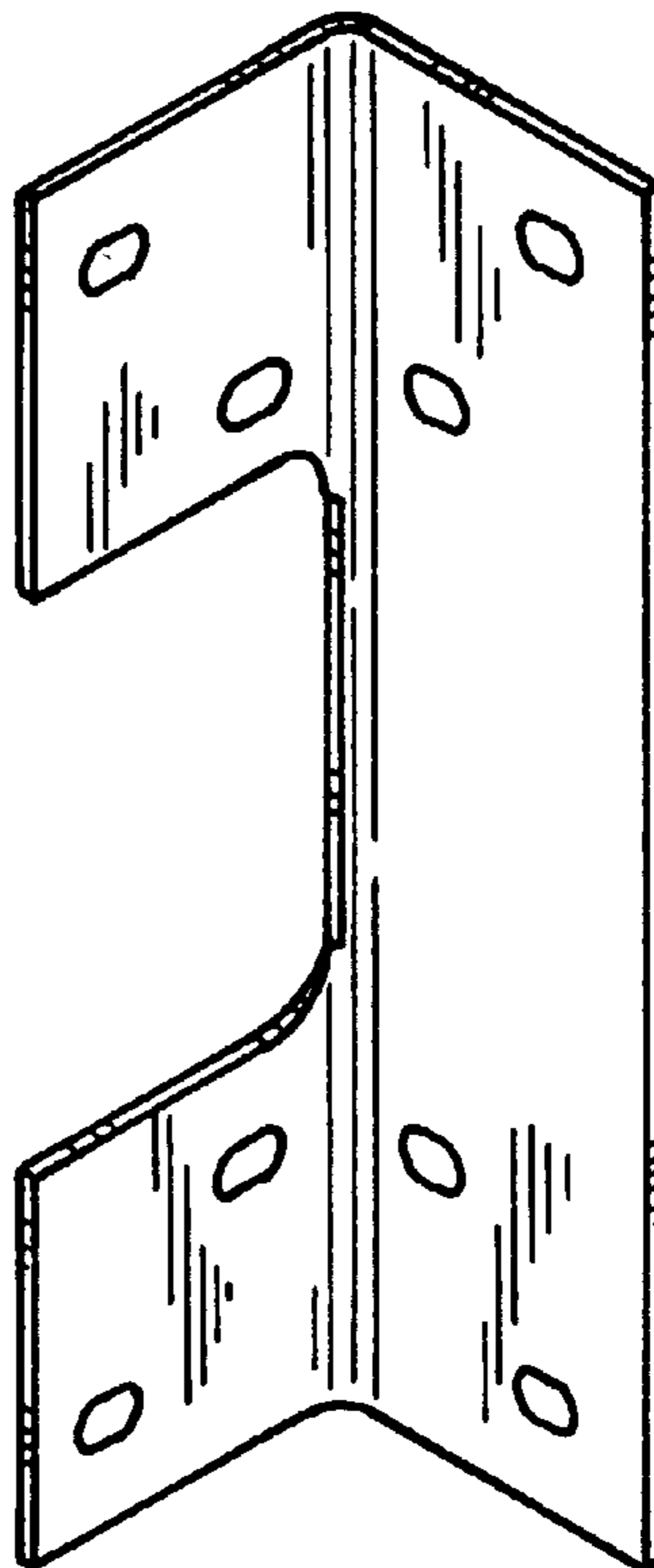
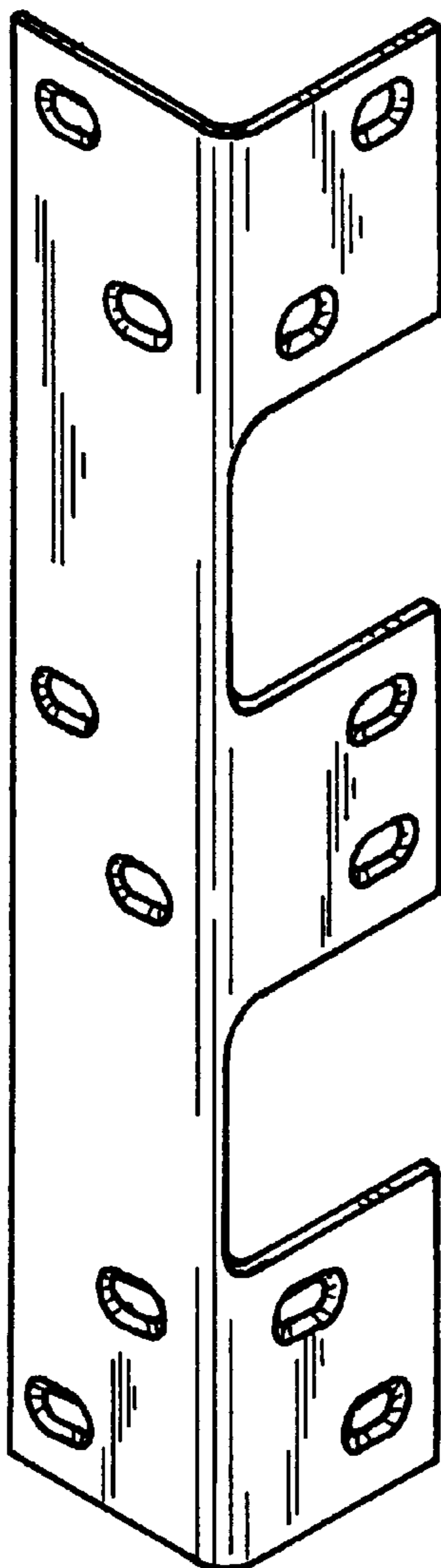
[57] **CLAIM**

The ornamental design for a door bracket, as shown and described.

DESCRIPTION

FIG. 1 is a perspective drawing showing front, end and left side views of my new design for a door bracket;
 FIG. 2 is a perspective drawing showing rear, end and right side views thereof;
 FIG. 3 is a perspective drawing showing front, end and left side views of a first alternative embodiment of my new design for a door bracket;
 FIG. 4 is a perspective drawing showing rear, end and right side views of my first alternative embodiment;
 FIG. 5 is a perspective drawing showing front, end and left side views of a second alternative embodiment of my new design for a door bracket; and,
 FIG. 6 is a perspective drawing showing rear, end and right side views of my second alternative embodiment.

1 Claim, 3 Drawing Sheets



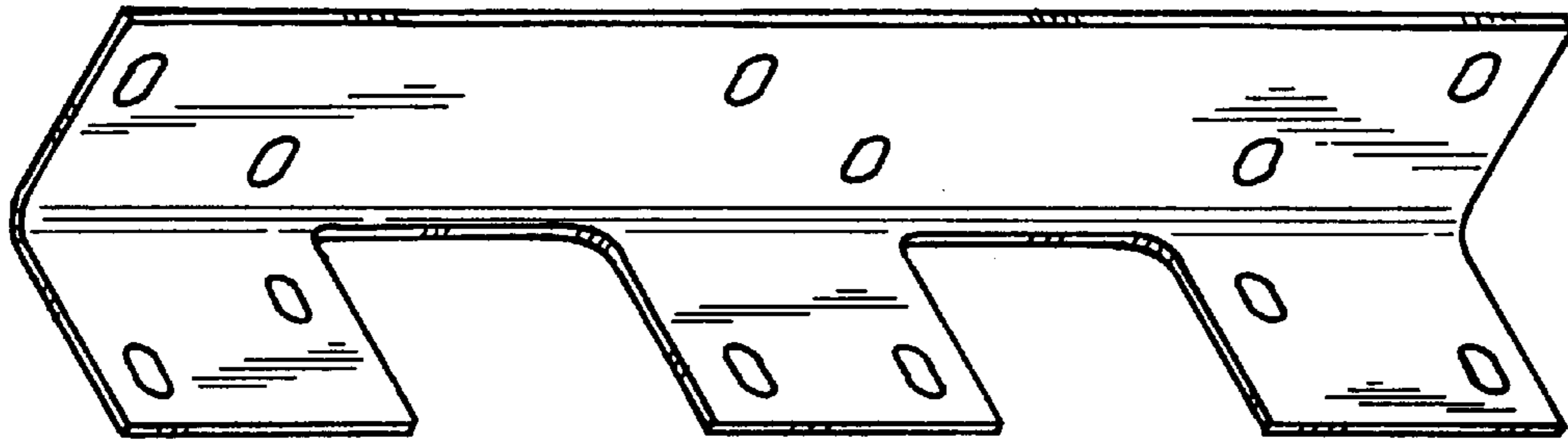


FIG. 2

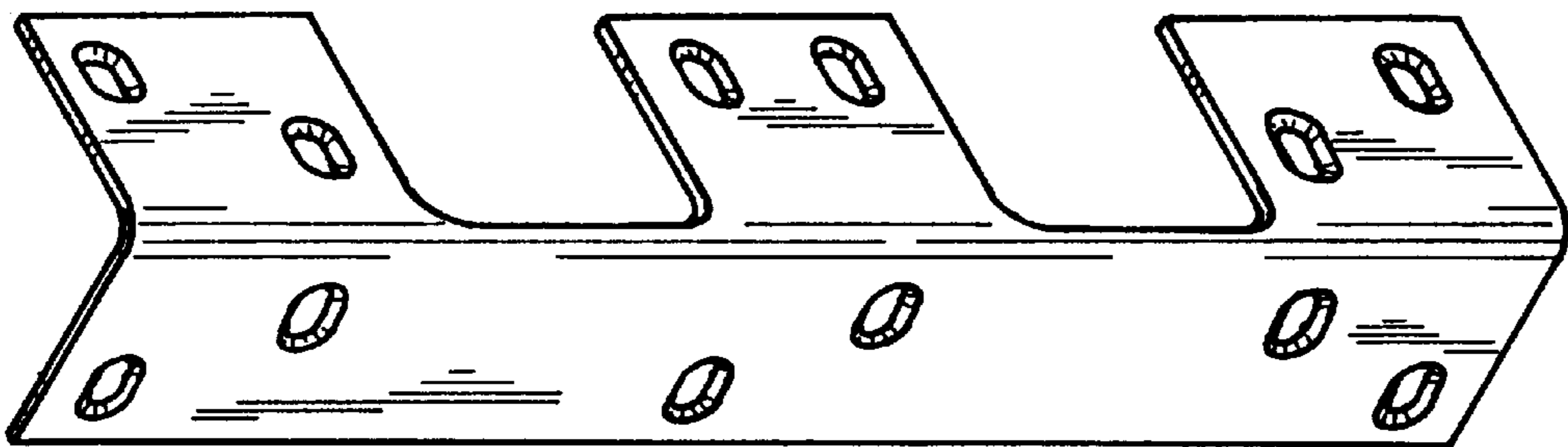


FIG. 1

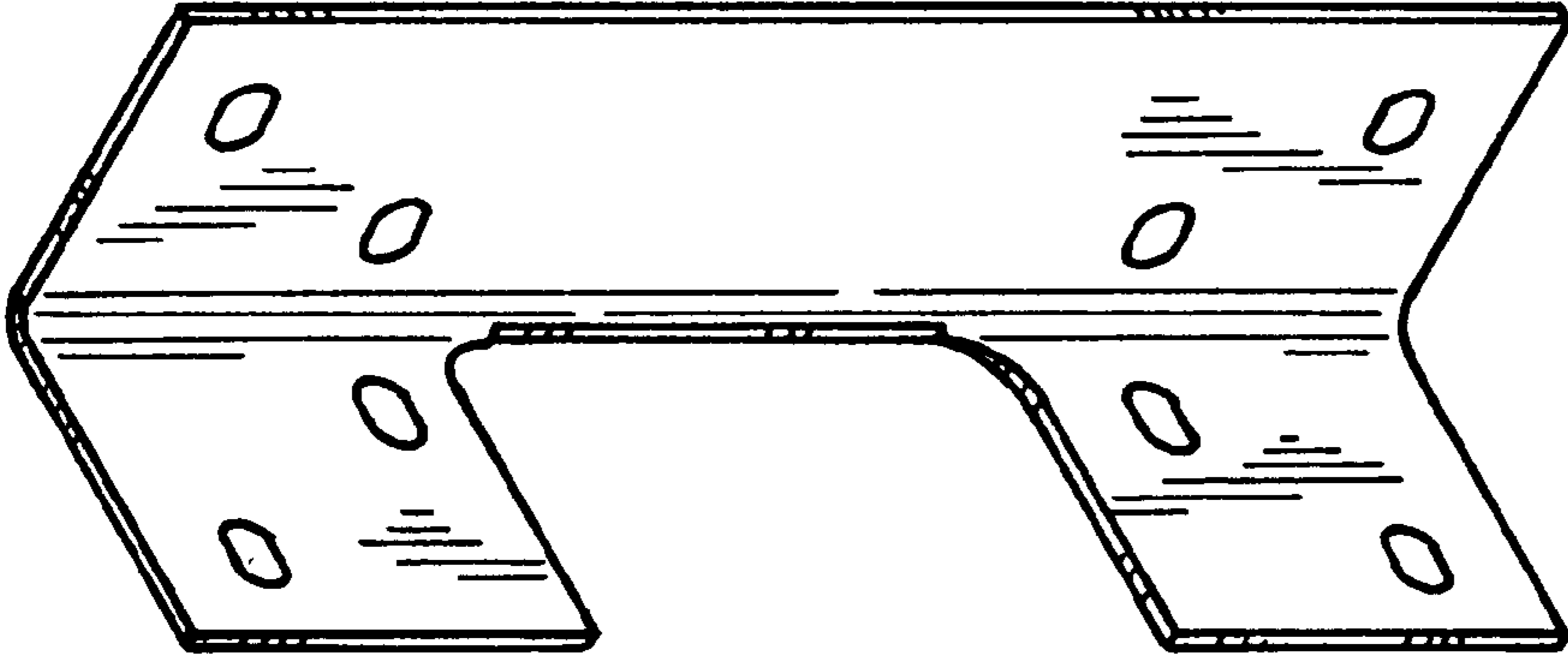


FIG. 4

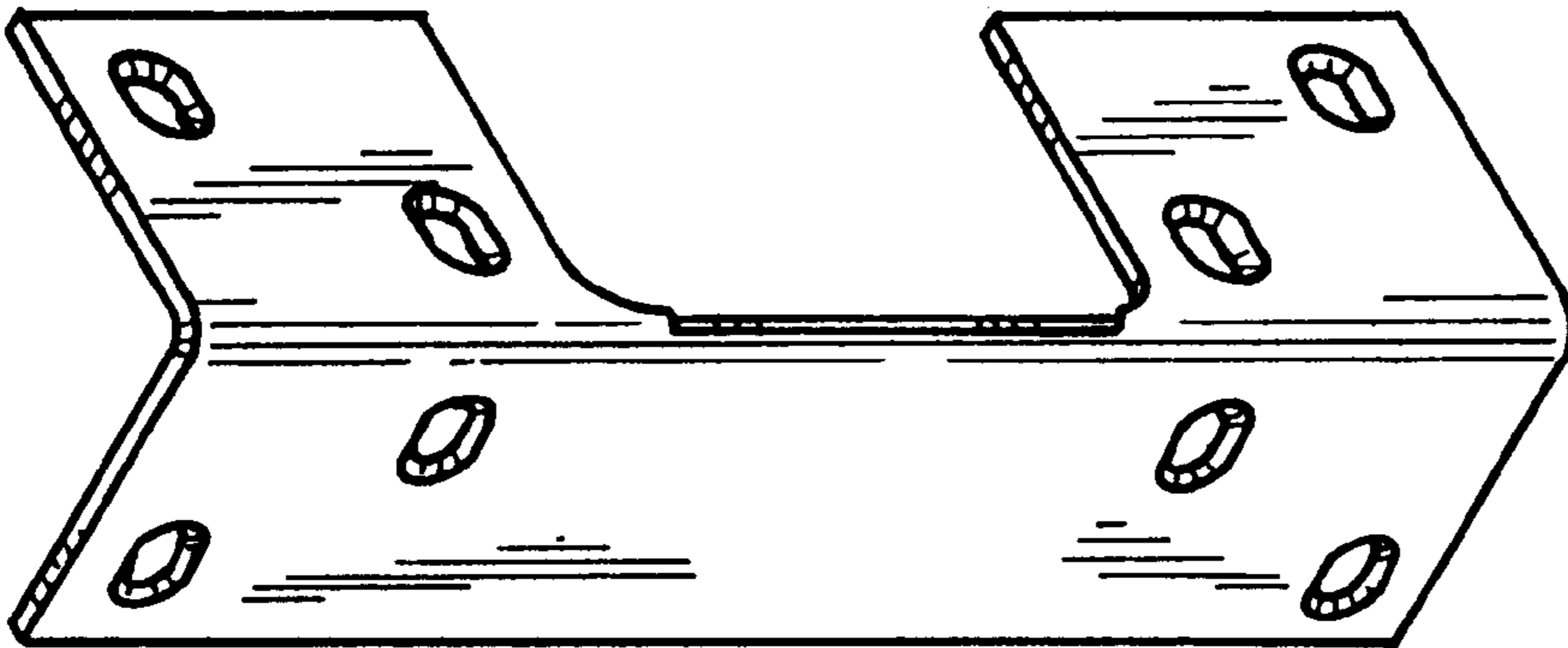


FIG. 3

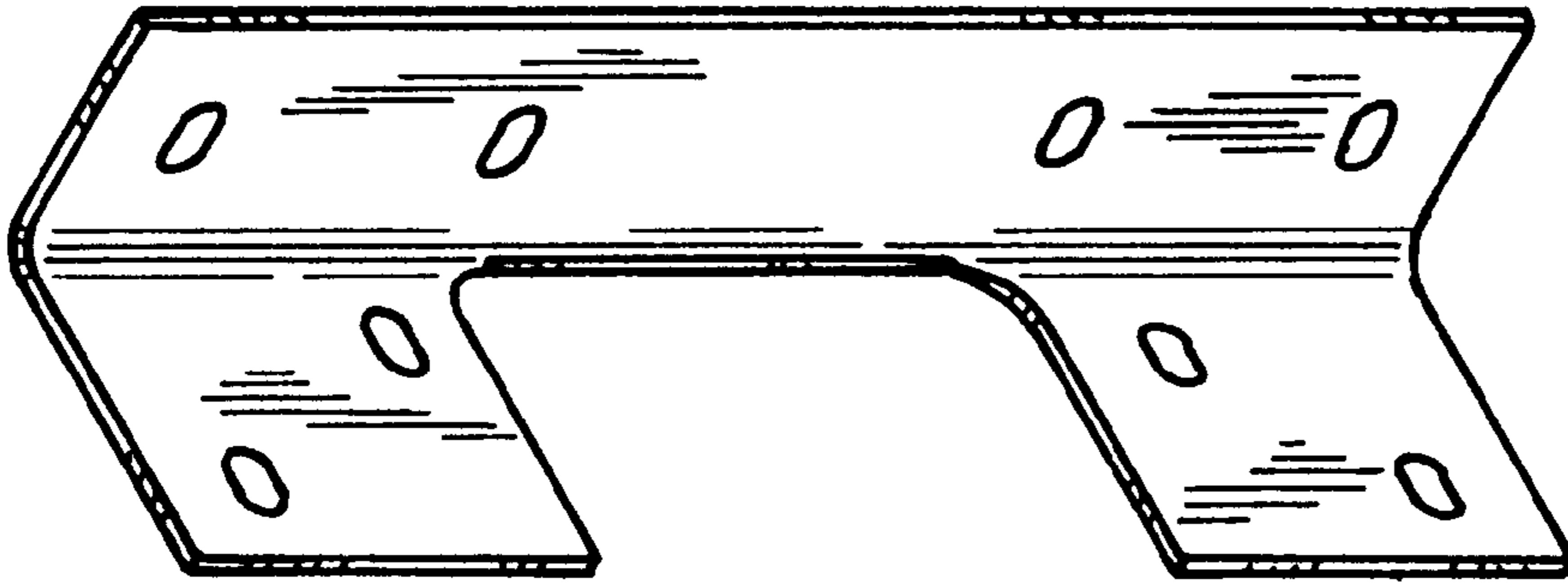


FIG. 6

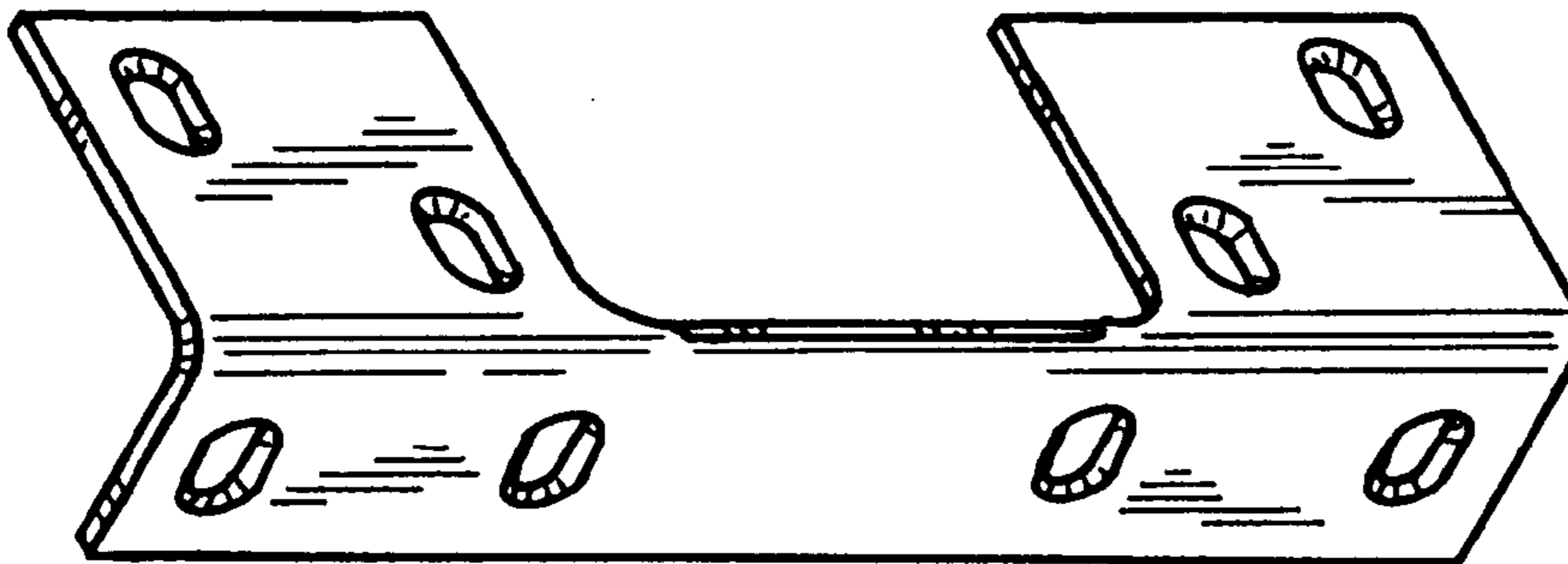


FIG. 5