



US00D408715S

United States Patent [19]
Shoemaker, Jr.

[11] **Patent Number: Des. 408,715**

[45] **Date of Patent: ** Apr. 27, 1999**

[54] **FILM SWIVEL BRACKET**

[75] Inventor: **Charles S. Shoemaker, Jr.**, Raytown, Mo.

[73] Assignee: **Mary Jean Shoemaker**, Raytown, Mo.; a part interest

[**] Term: **14 Years**

[21] Appl. No.: **29/087,542**

[22] Filed: **May 5, 1998**

[51] **LOC (6) Cl.** **08-05**

[52] **U.S. Cl.** **D8/354**

[58] **Field of Search** D8/349, 354, 380, D8/356; 248/300, 200

[56] **References Cited**

U.S. PATENT DOCUMENTS

D. 249,458	9/1978	Olsen	D8/354
D. 251,702	5/1979	Martini	D8/373
D. 369,092	4/1996	Sauber	D8/356

Primary Examiner—Holly Baynham
Attorney, Agent, or Firm—Litman, Kraai and Brown, L.L.C.

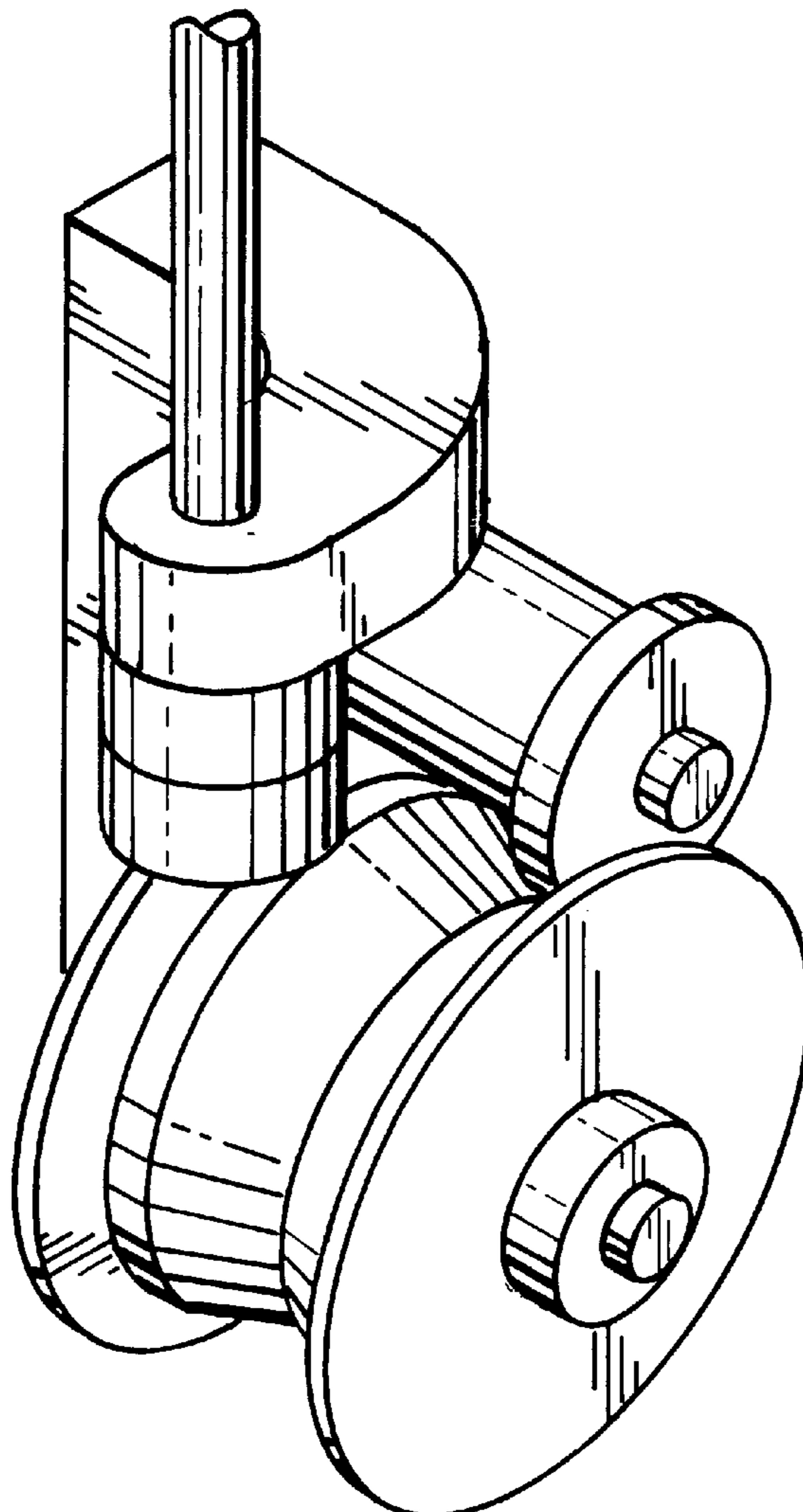
[57] **CLAIM**

The ornamental design for film swivel bracket, as shown and described.

DESCRIPTION

FIG. 1 is a perspective view of a film swivel bracket.
FIG. 2 is a top plan view of the film swivel bracket of FIG. 1.
FIG. 3 is a right elevational view of the film swivel bracket of FIG. 1.
FIG. 4 is a bottom plan view of the film swivel bracket of FIG. 1.
FIG. 5 is a left elevational view of the film swivel bracket of FIG. 1.
FIG. 6 is a front elevational view of the film swivel bracket of FIG. 1; and,
FIG. 7 is a rear elevational view of the film swivel bracket of FIG. 1.

1 Claim, 2 Drawing Sheets



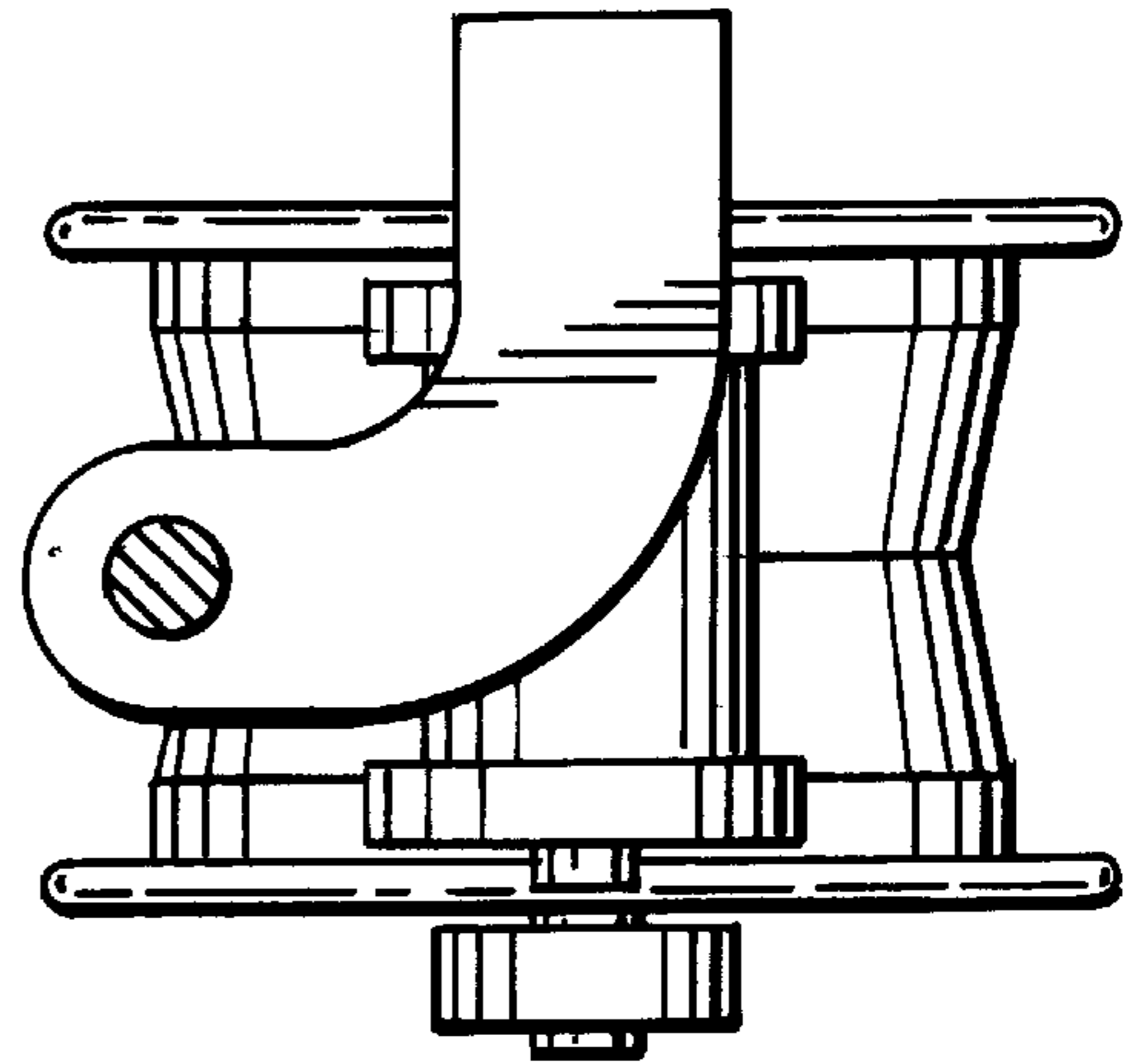
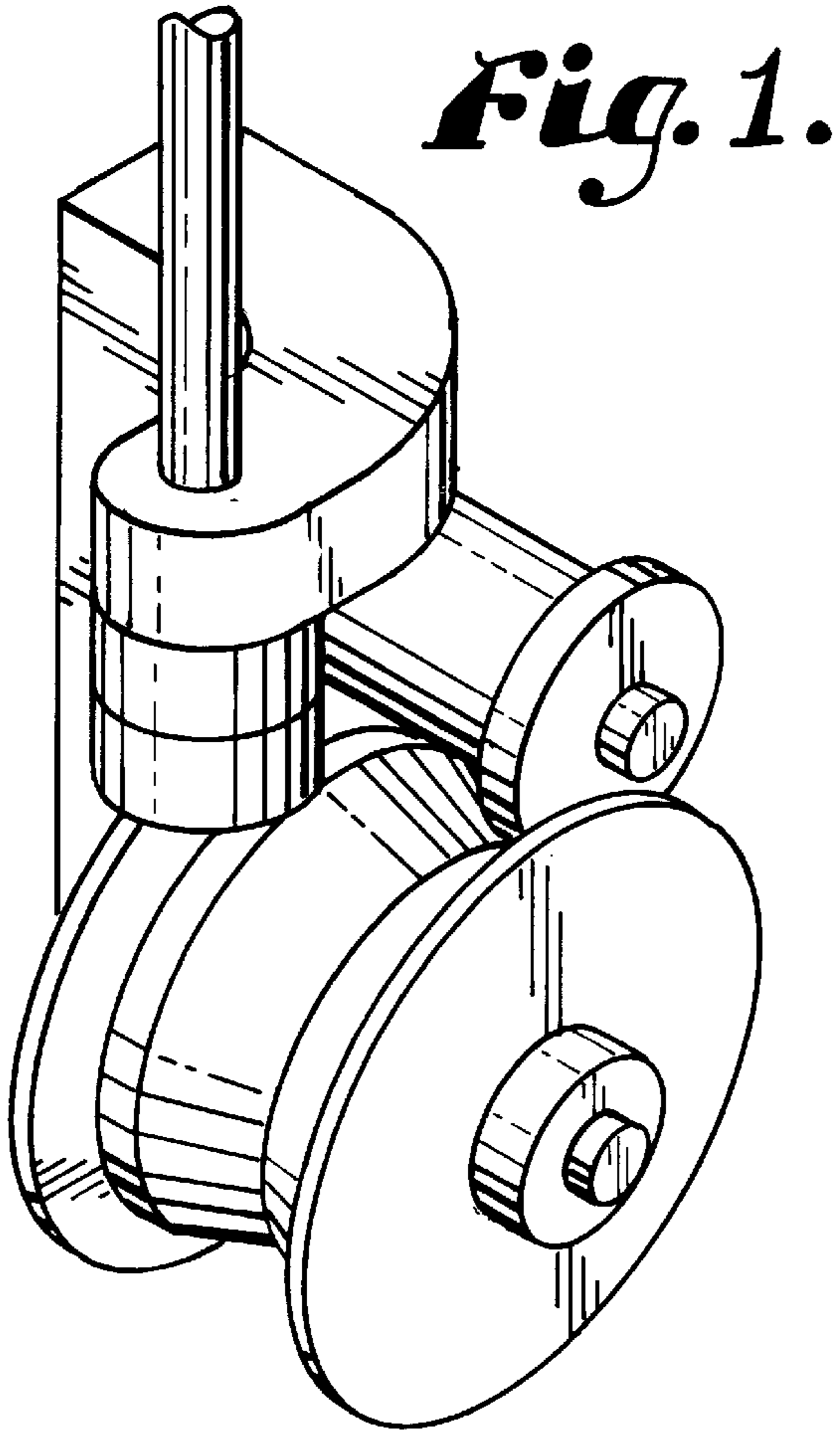


Fig. 2.

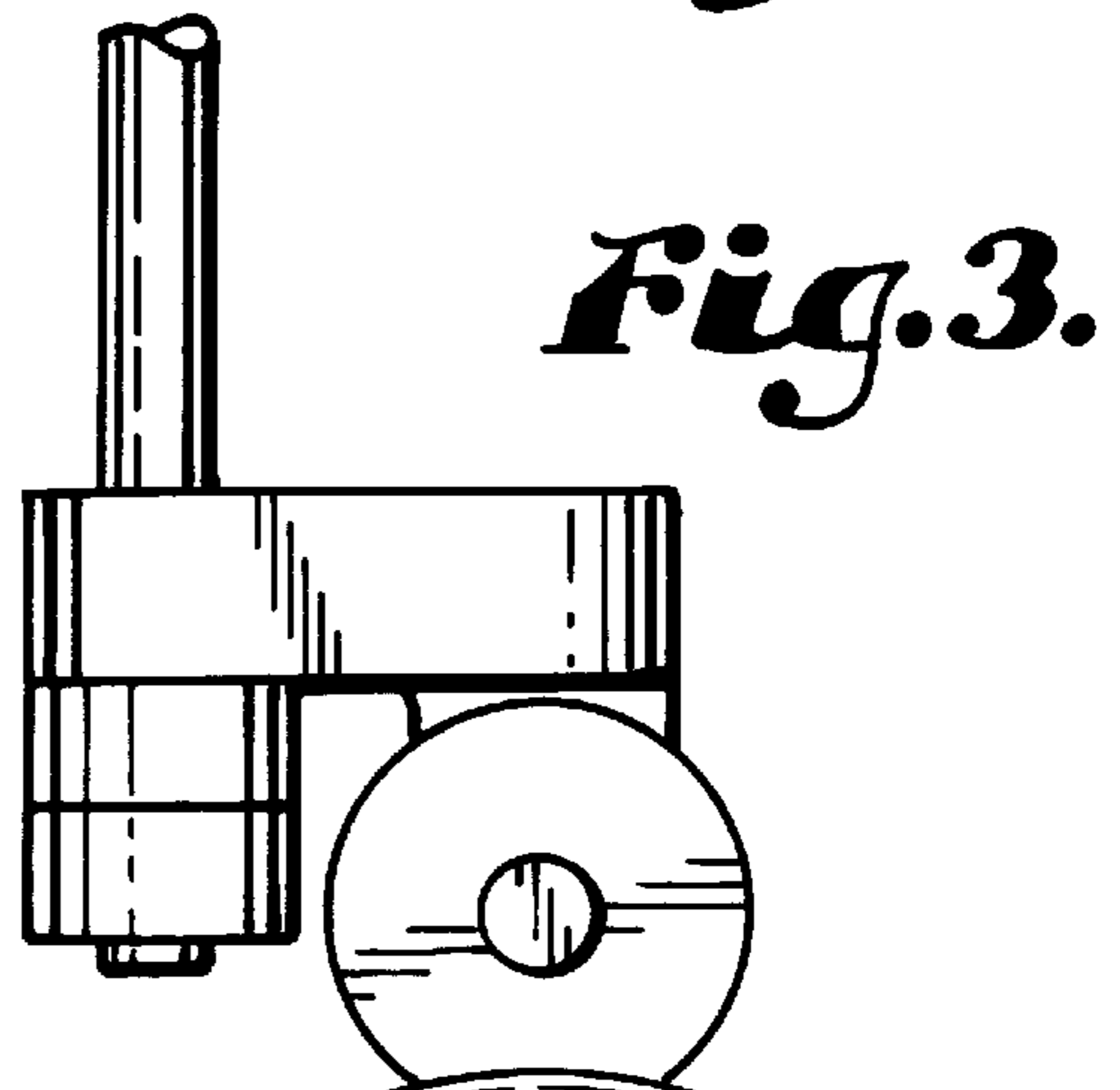


Fig. 4.

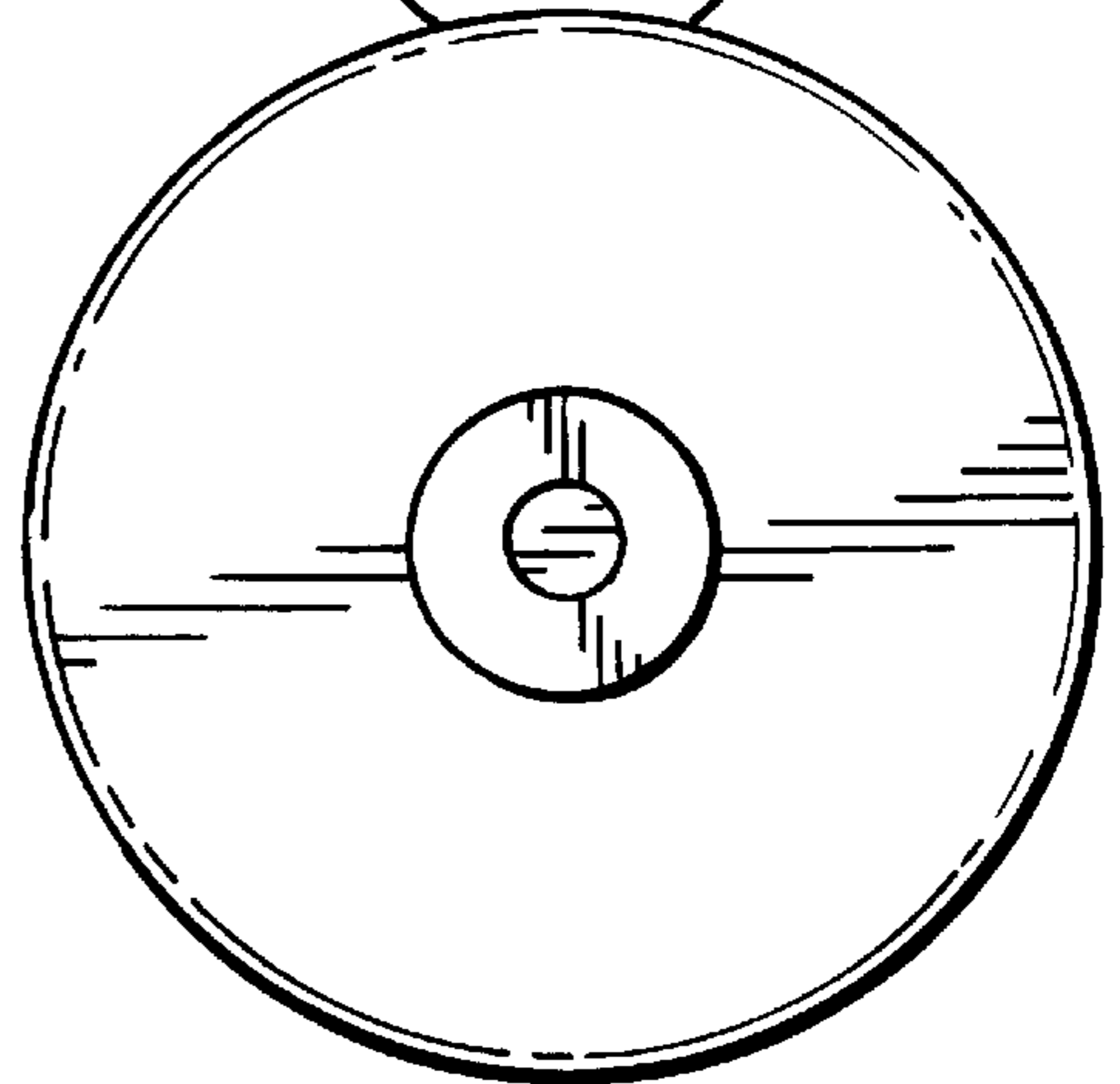
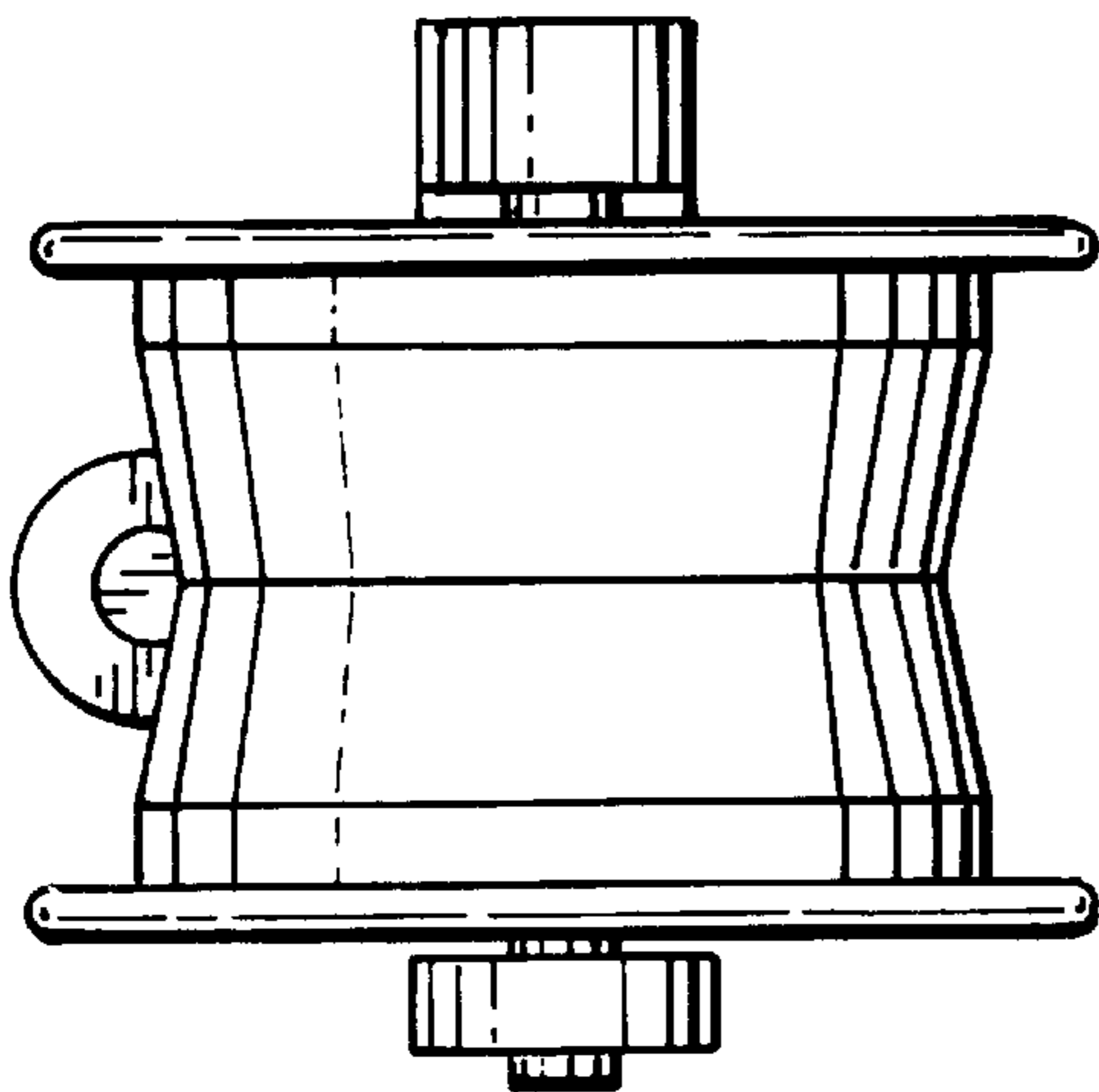


Fig. 5.
Fig. 6.

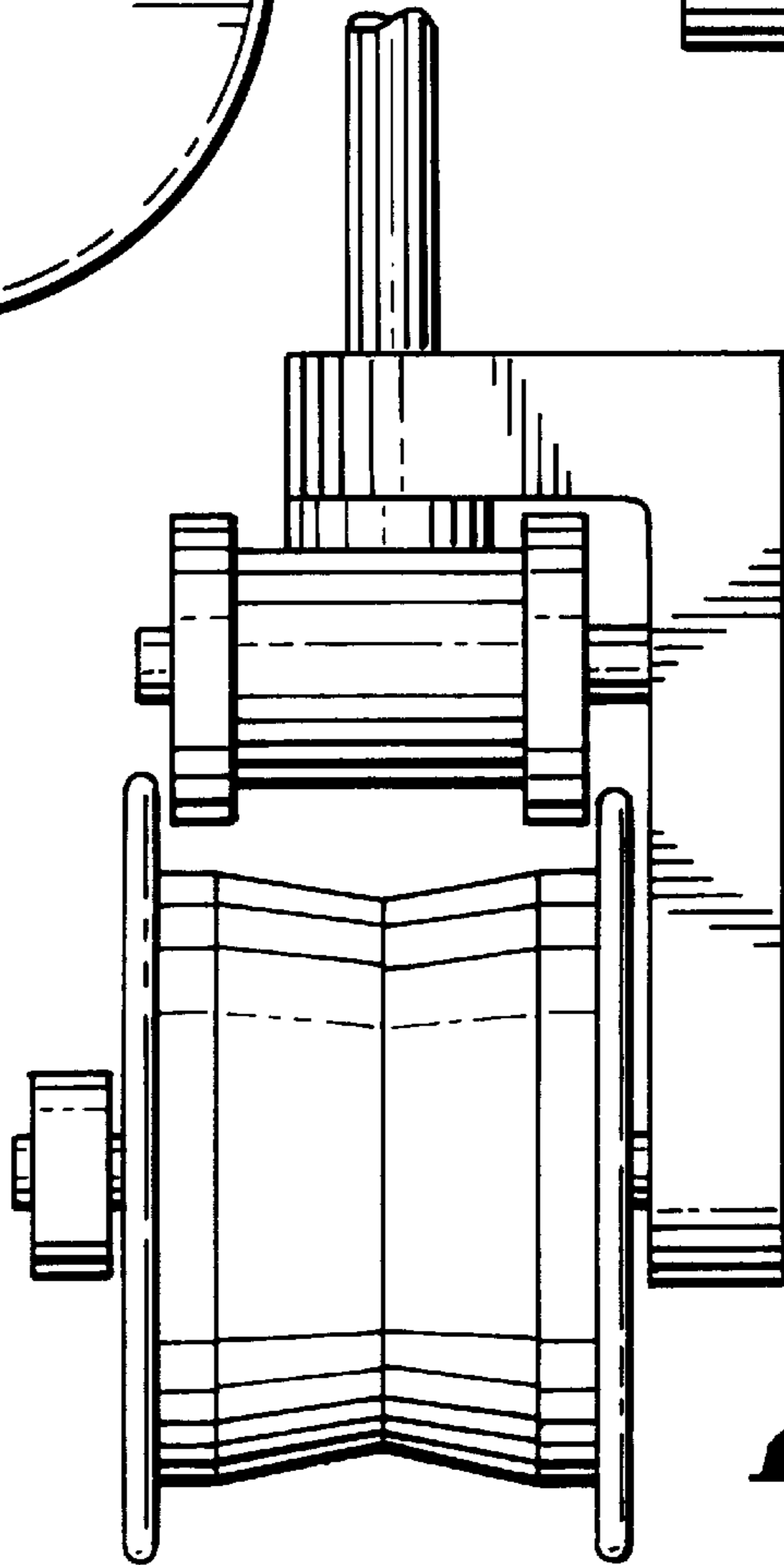
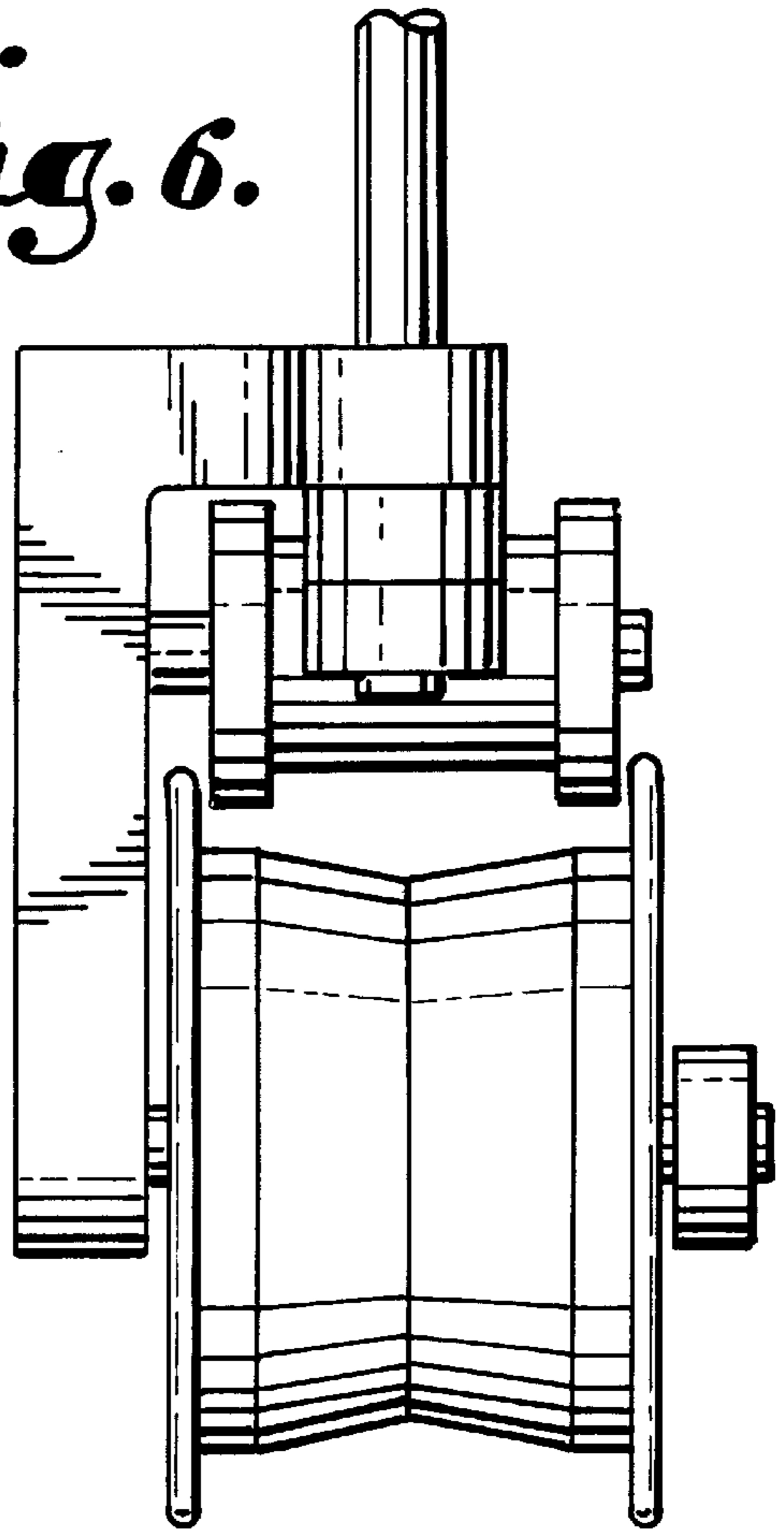
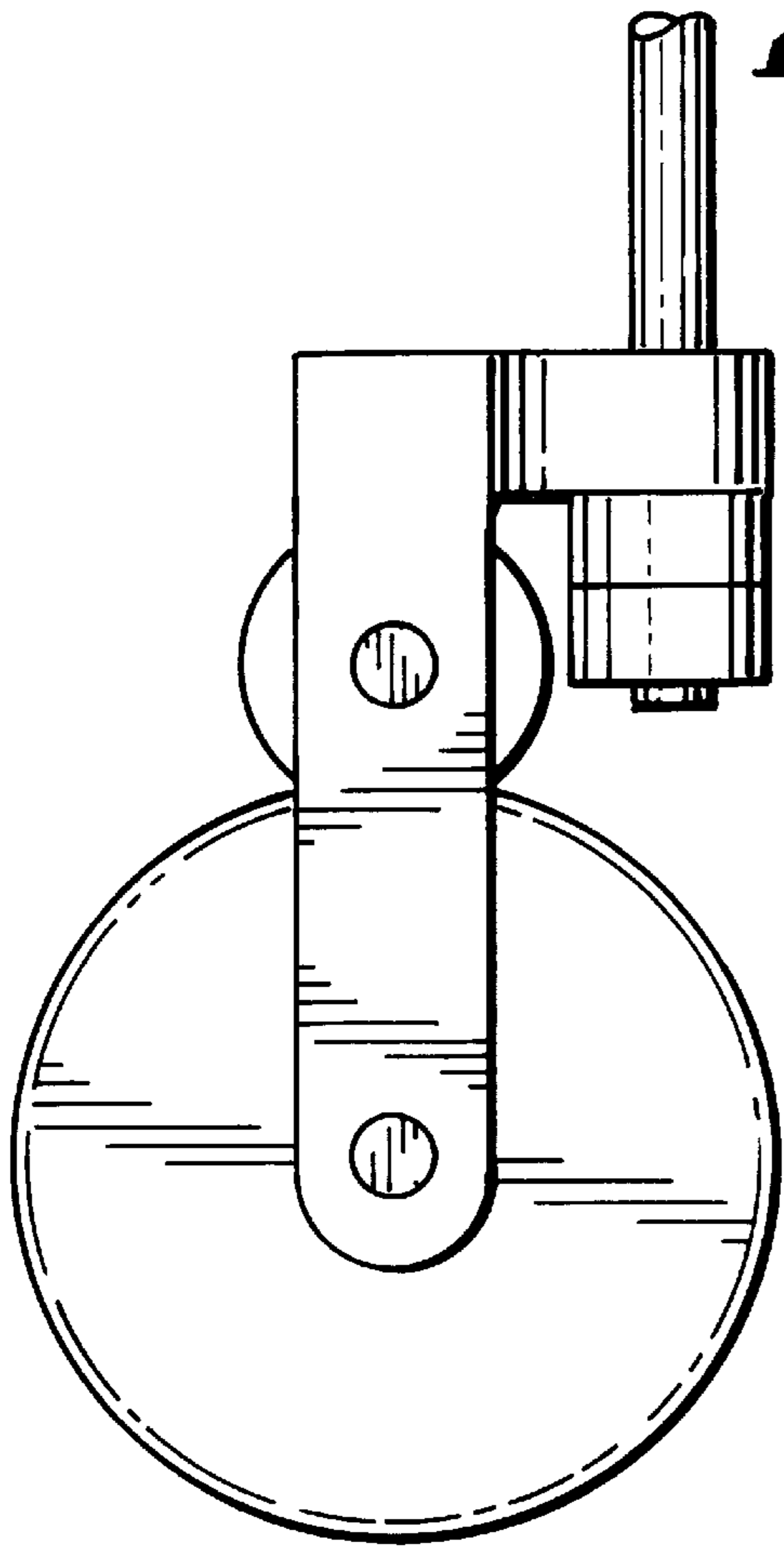


Fig. 7.