



US00D408711S

# United States Patent [19] Bianco

[11] Patent Number: Des. 408,711

[45] Date of Patent: \*\* Apr. 27, 1999

[54] LOCK ASSEMBLY

4,637,237 1/1987 Witkoski et al. .... 70/285

[76] Inventor: James S. Bianco, 227 Brainard Rd.,  
Enfield, Conn. 06082

Primary Examiner—Pamela Burgess  
Attorney, Agent, or Firm—John H. Crozier

[\*\*] Term: 14 Years

[57] CLAIM

[21] Appl. No.: 29/084,349

The ornamental design for a lock assembly, as shown.

[22] Filed: Mar. 2, 1998

### DESCRIPTION

[51] LOC (6) Cl. .... 08-07

[52] U.S. Cl. .... D8/331

[58] Field of Search ..... D8/331, 330, 332-346;  
70/77, 78, 91; 292/2, 137, 164, 177

FIG. 1 is a front/right side/top isometric view of a lock assembly showing my new design;

FIG. 2 is a rear/left side/top isometric view thereof;

FIG. 3 is a front elevational view thereof;

FIG. 4 is a rear elevational view thereof;

FIG. 5 is a top plan view thereof;

FIG. 6 is a bottom plan view thereof;

FIG. 7 is a right side elevational view thereof; and,

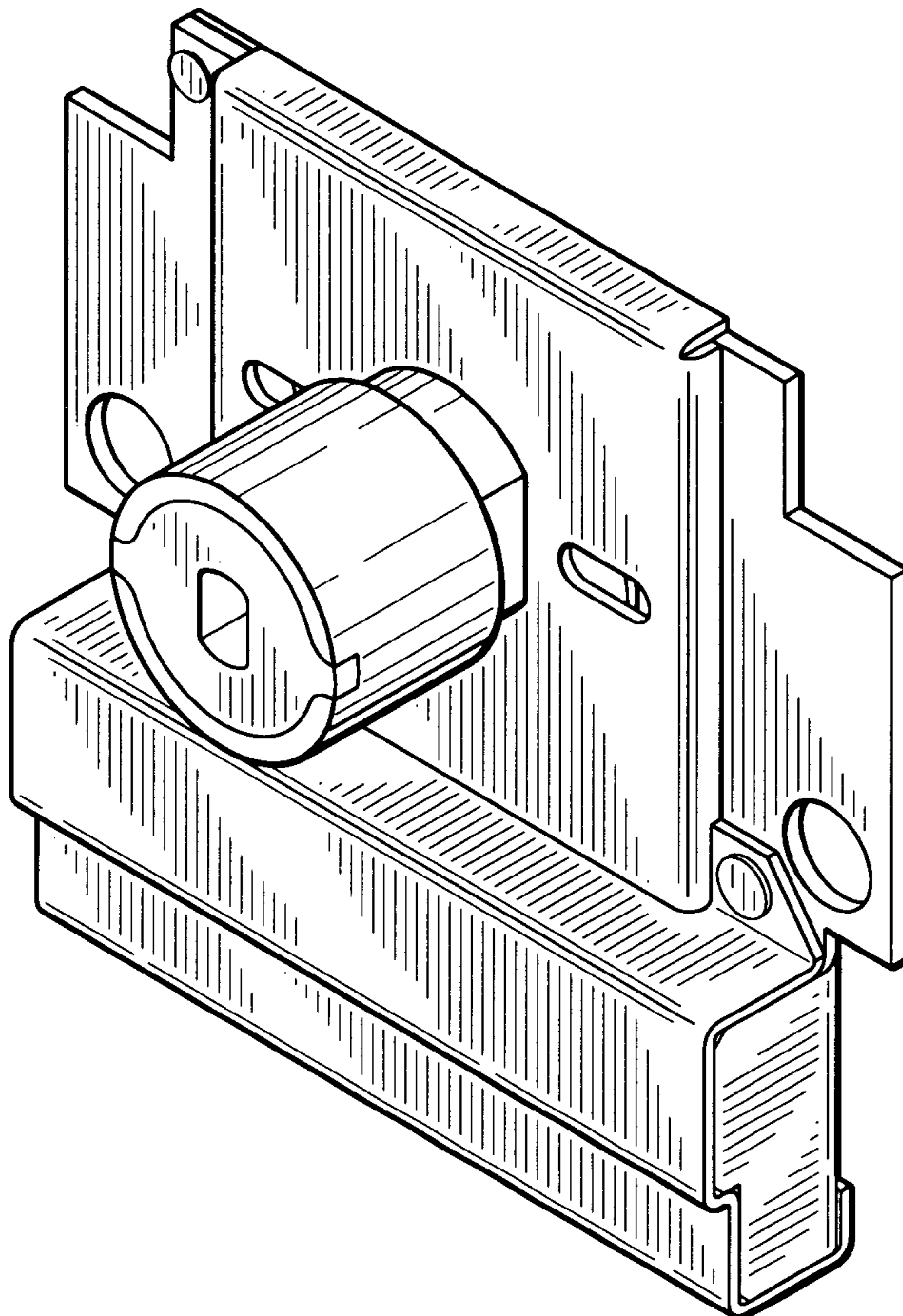
FIG. 8 is a left side elevational view thereof.

### [56] References Cited

#### U.S. PATENT DOCUMENTS

D. 303,079	8/1989	Parthenis .....	D8/331
D. 354,428	1/1995	Magnussen .....	D8/341
D. 381,253	7/1997	Guidotti .....	D8/331

1 Claim, 4 Drawing Sheets



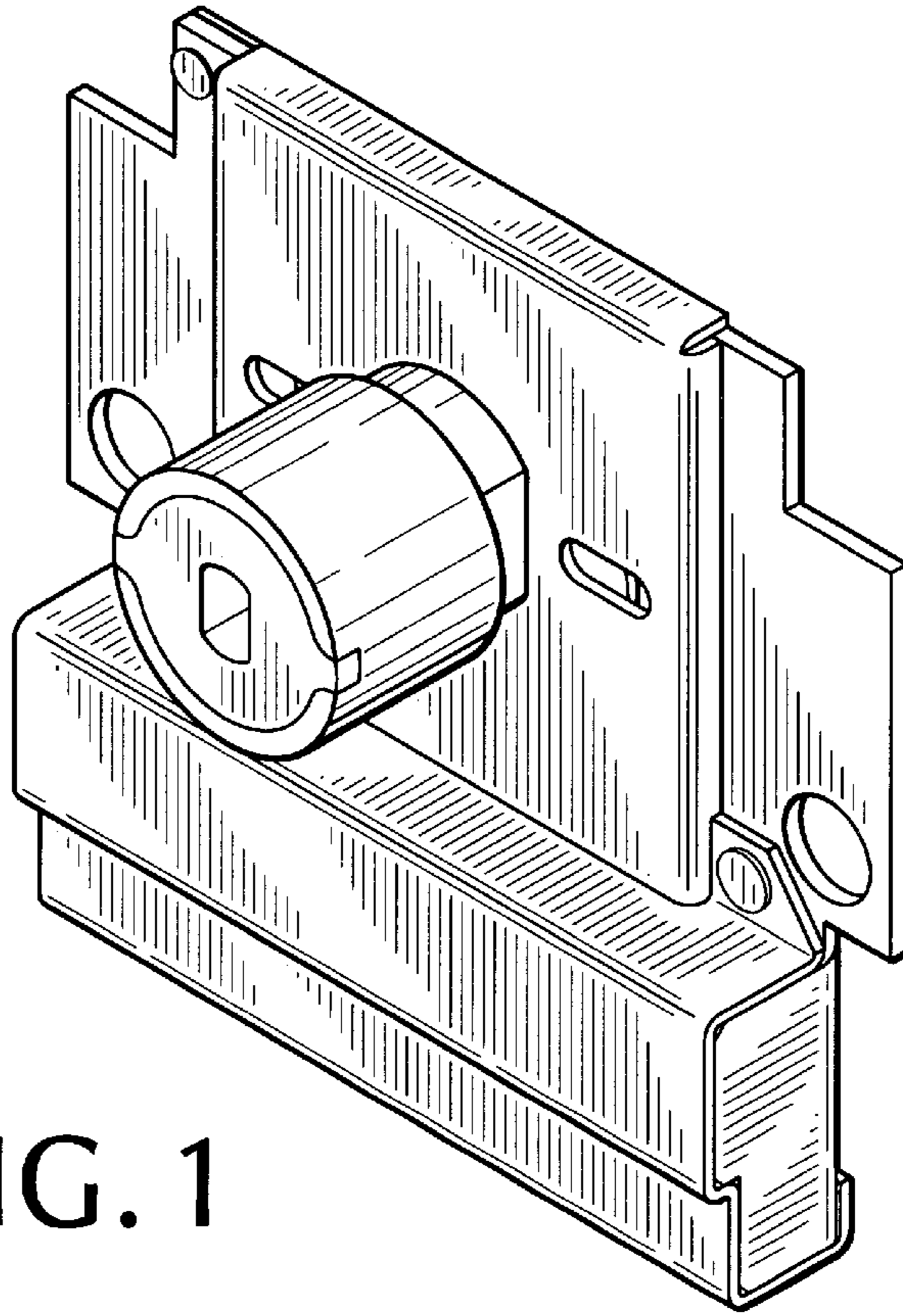


FIG. 1

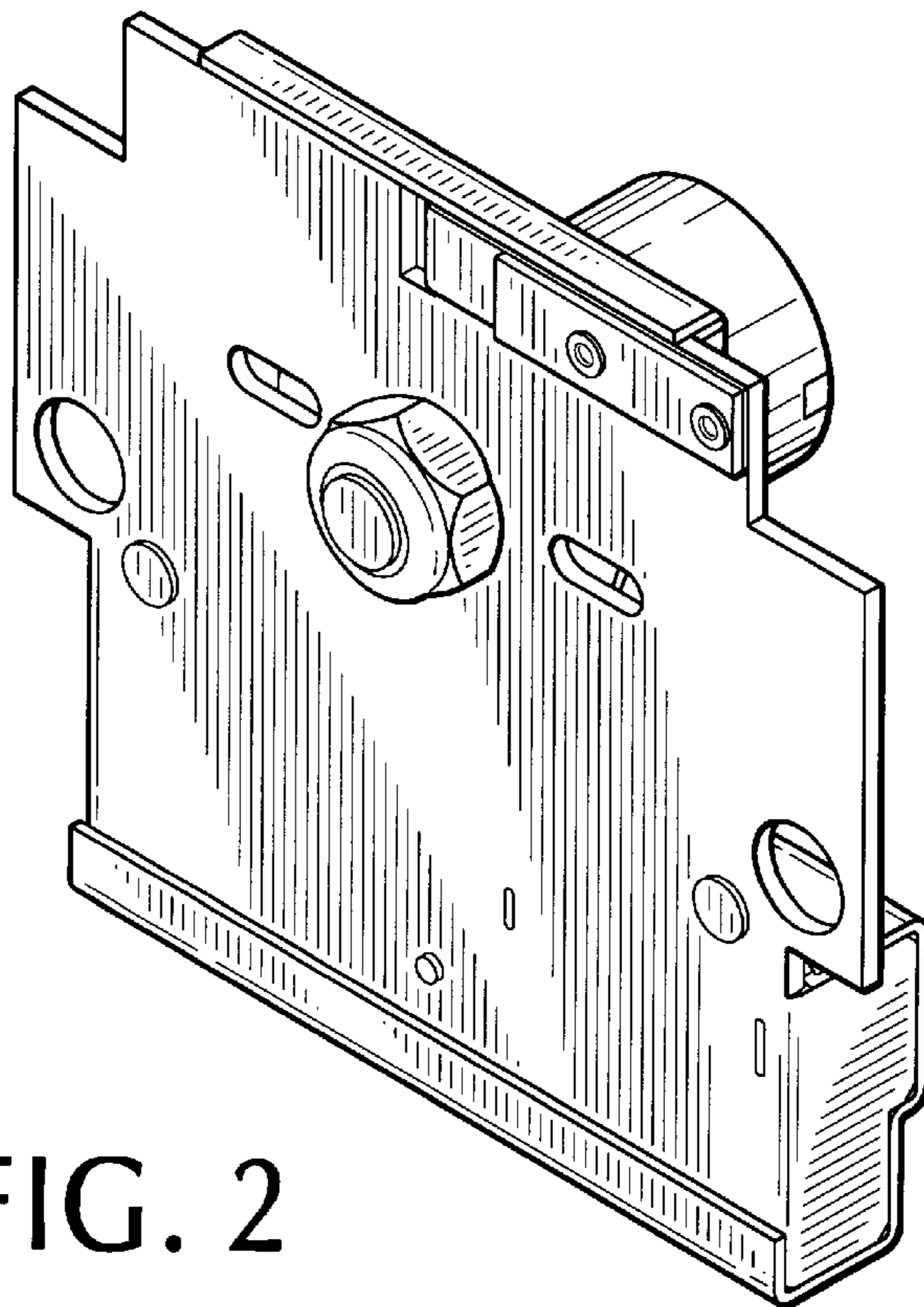


FIG. 2

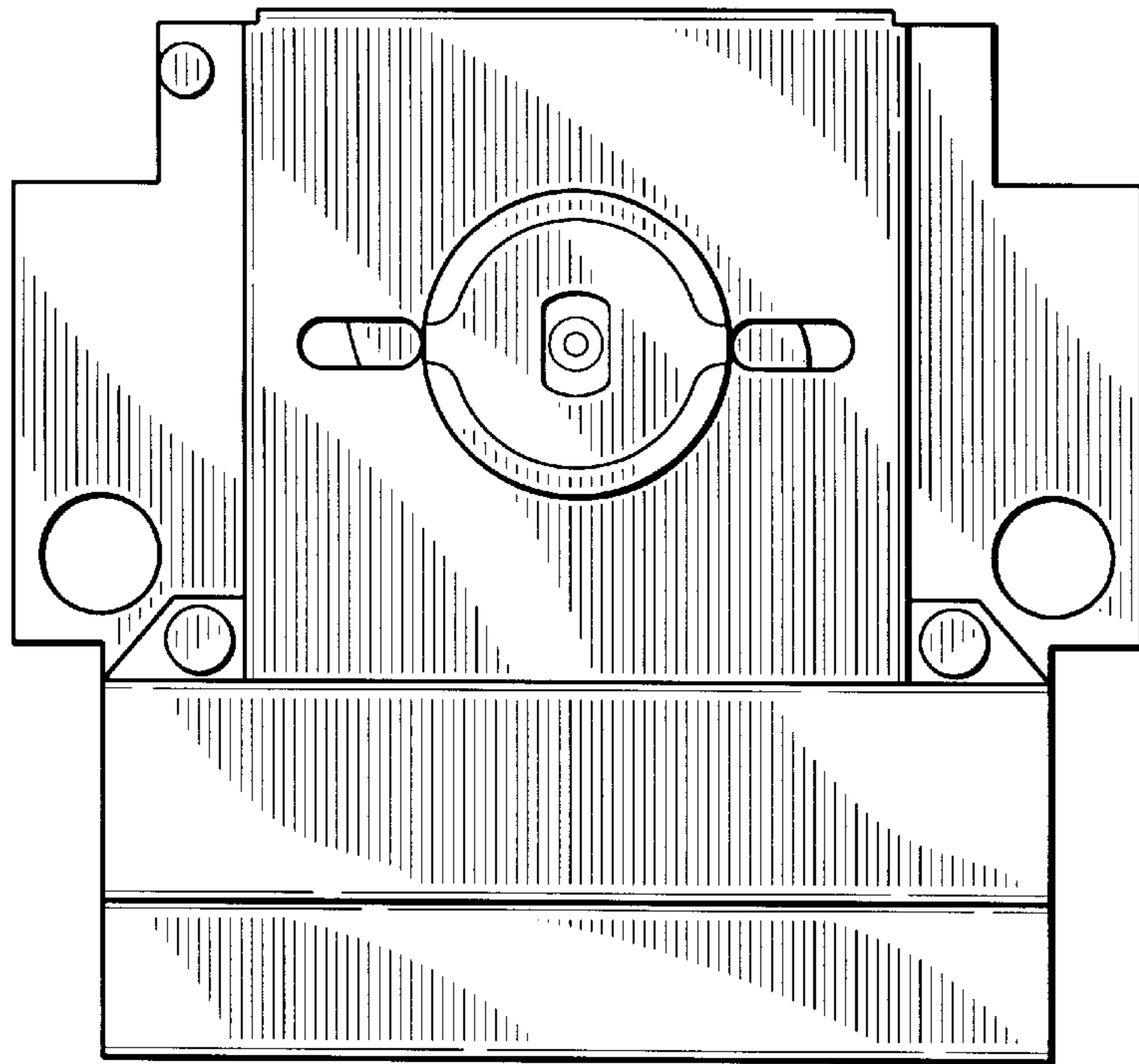


FIG. 3

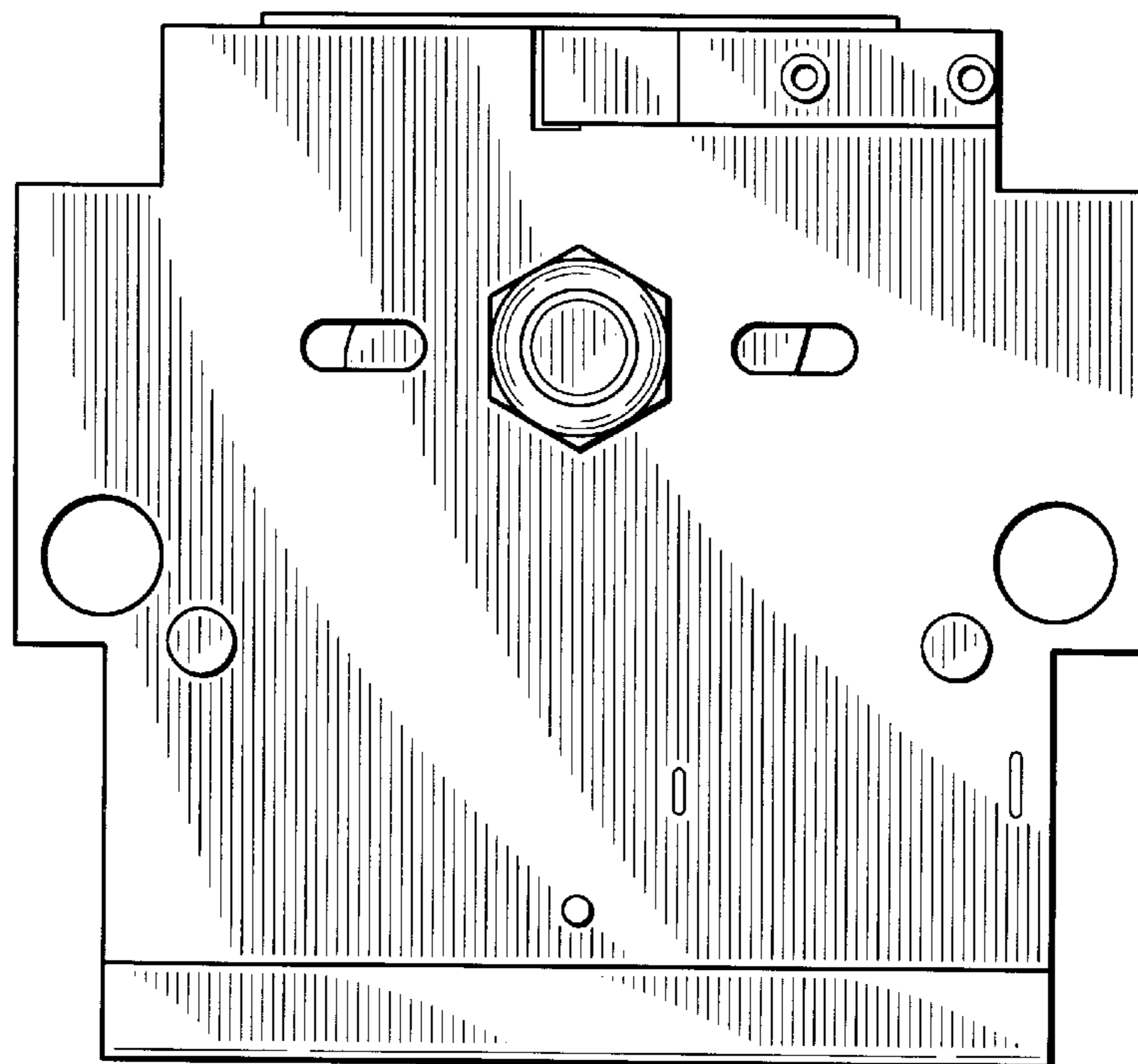


FIG. 4

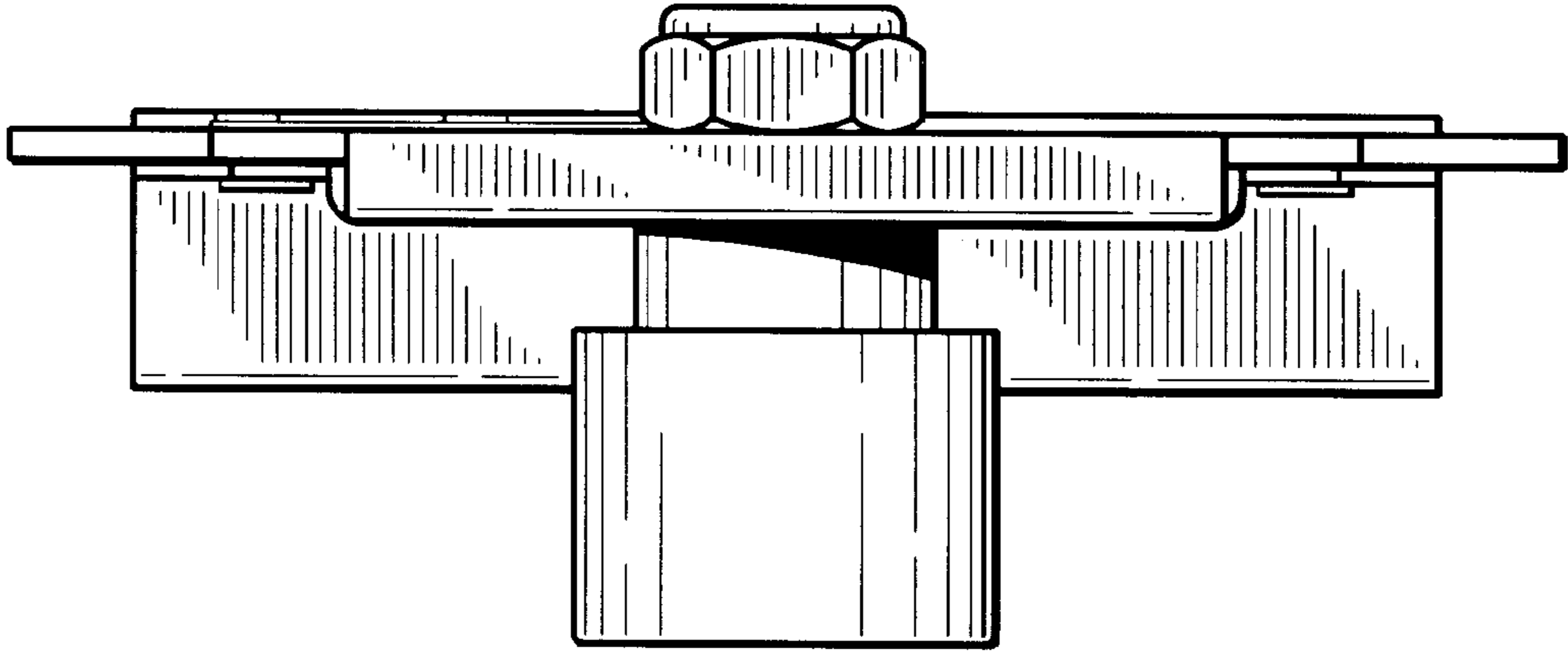


FIG. 5

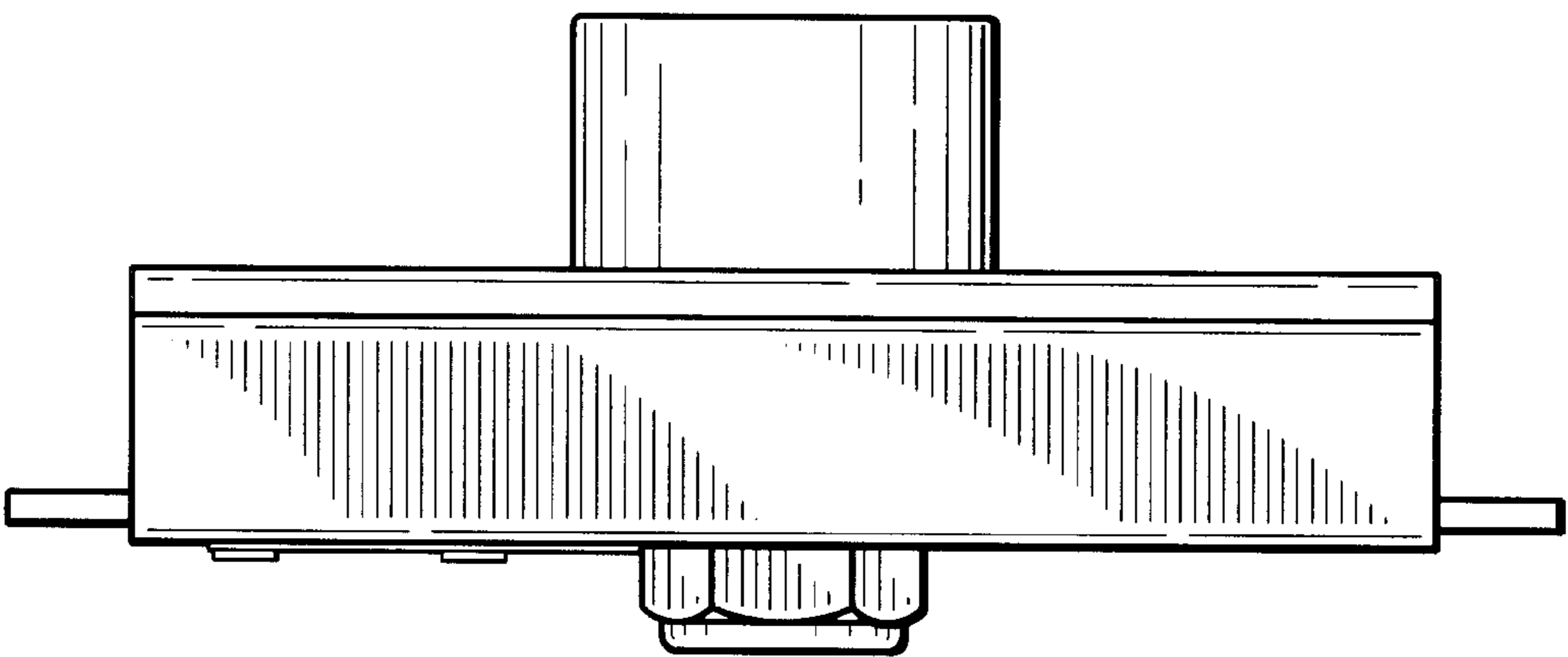


FIG. 6

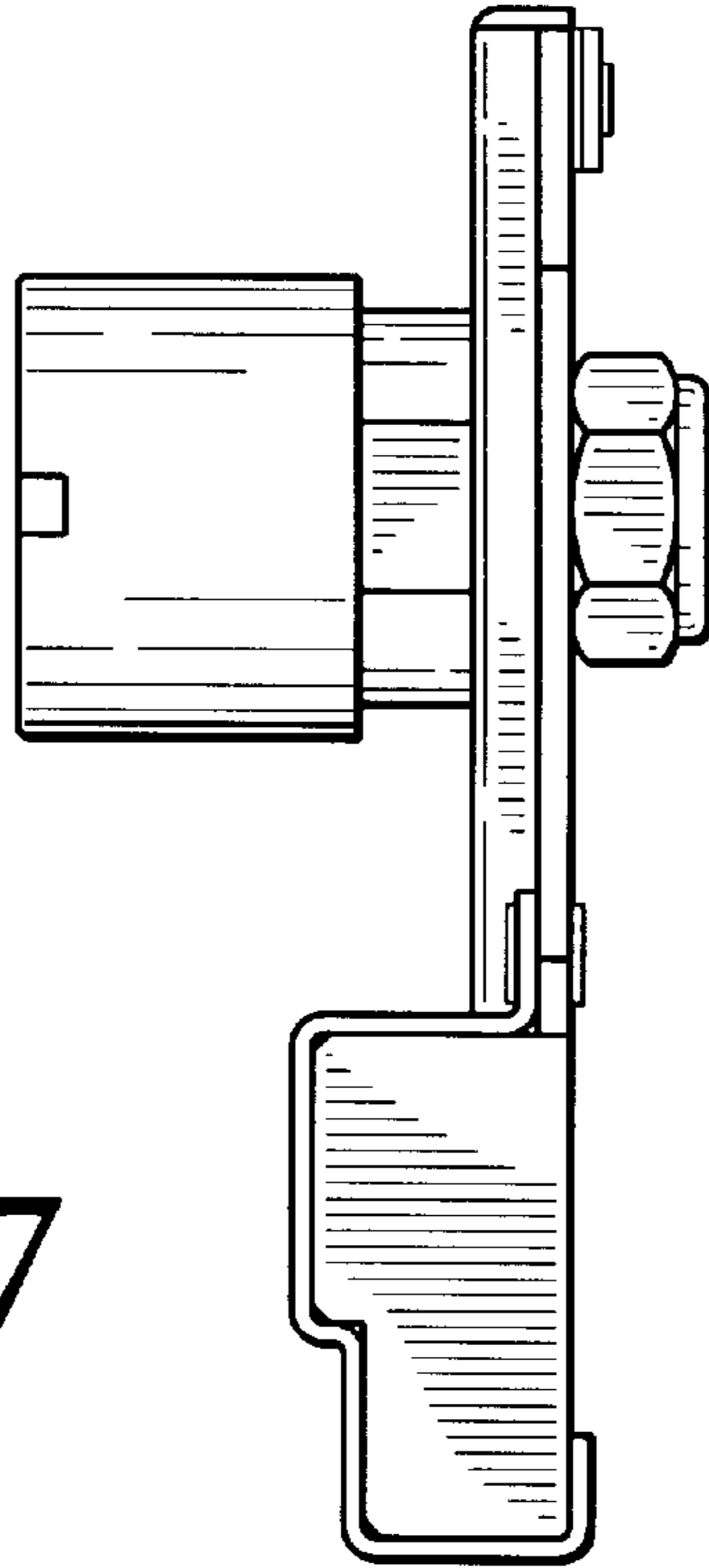


FIG. 7

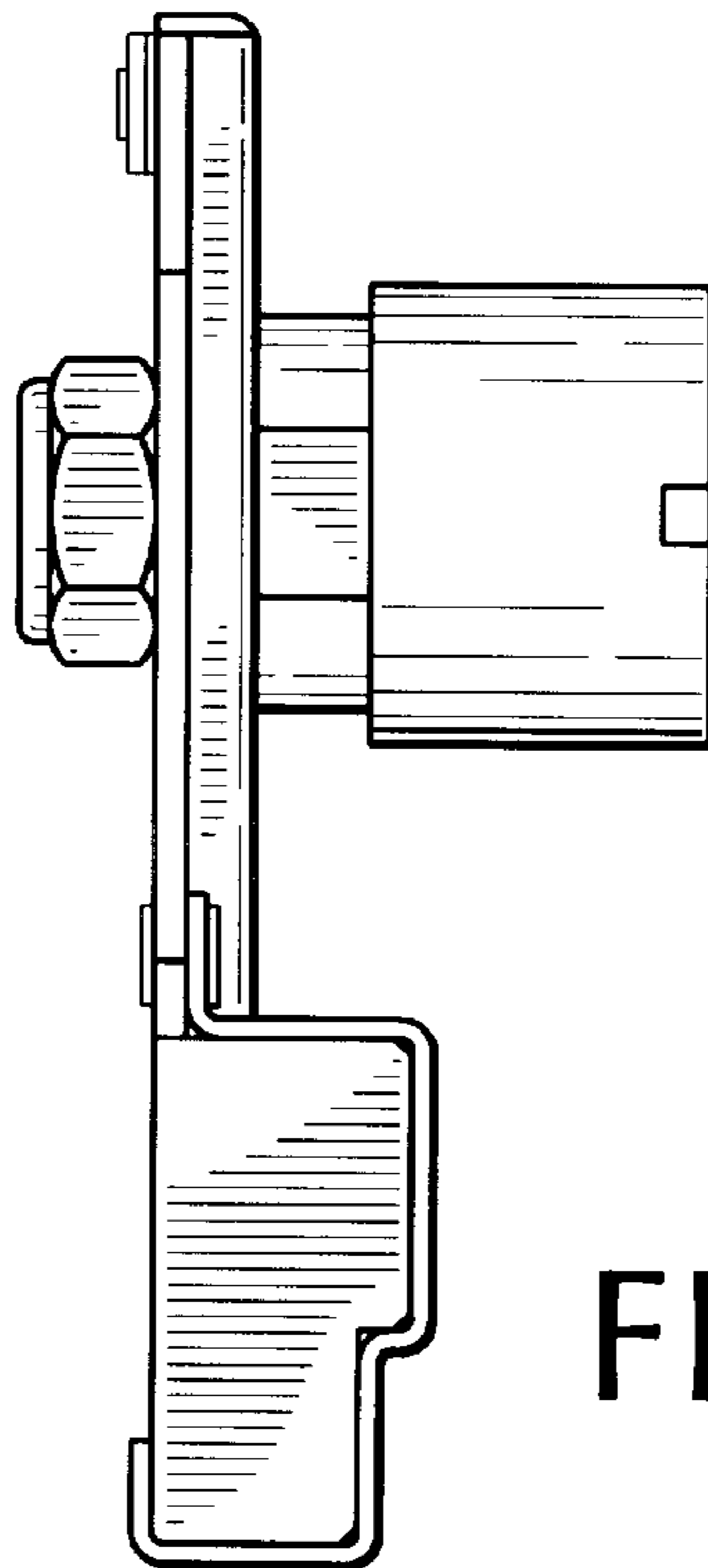


FIG. 8