



US00D408709S

# United States Patent [19] Wang

[11] **Patent Number: Des. 408,709**

[45] **Date of Patent: \*\*Apr. 27, 1999**

[54] **HAND GRIP**

3,009,551 11/1961 Kotkins .  
5,630,488 5/1997 Chen ..... 190/115

[76] Inventor: **King-Sheng Wang**, No. 17, Lane 116,  
Ta An Kang Rd., Ta Chia Chen,  
Taichung Hsien, Taiwan

*Primary Examiner*—B. J. Bullock  
*Attorney, Agent, or Firm*—Bacon & Thomas, PLLC

[\*\*] Term: **14 Years**

[57] **CLAIM**

[21] Appl. No.: **29/079,226**

The ornamental design for a hand grip, as shown and described.

[22] Filed: **Nov. 10, 1997**

### DESCRIPTION

[51] **LOC (6) Cl.** ..... **08-06**

[52] **U.S. Cl.** ..... **D8/306; D8/317**

[58] **Field of Search** ..... D8/300, 306, 315-320;  
119/39, 115-118; 16/110 R, 111 R, 124;  
D3/276, 291, 279-281, 283-286, 288-290,  
292

FIG. 1 is a perspective view of a hand grip showing my new design thereof;

FIG. 2 is a front elevational view and the rear elevational view being a mirror image of FIG. 1;

FIG. 3 is a left side elevational view and right side elevational view being a mirror image of FIG. 1;

FIG. 4 is a top plan view of FIG. 1;

FIG. 5 is a bottom plan view of FIG. 1; and,

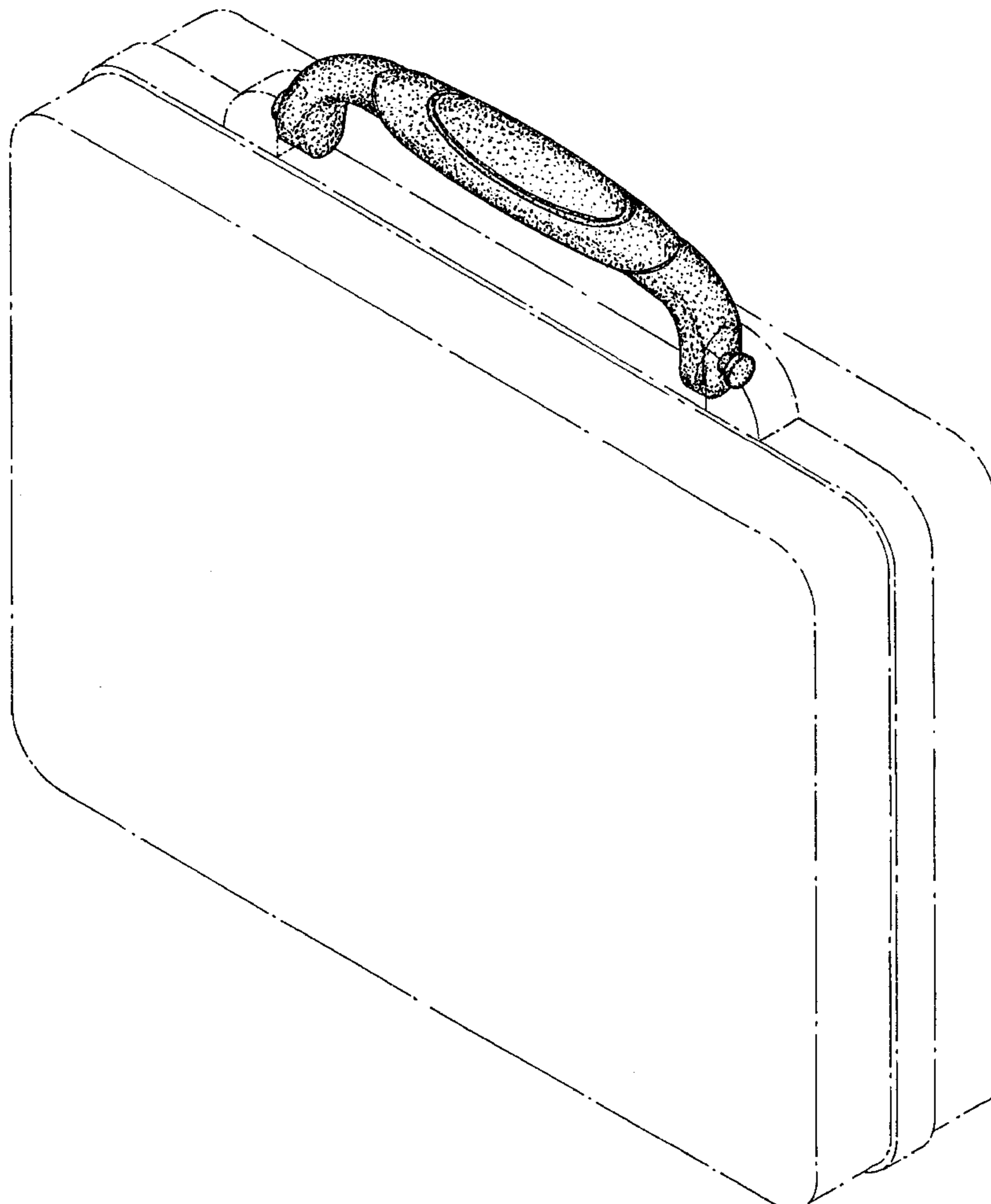
FIG. 6 is a reduced perspective view of FIG. 1, with the broken line showing of a suitcase being for illustrative purposes only and forming no part of the claimed design.

### [56] **References Cited**

#### U.S. PATENT DOCUMENTS

- D. 183,988 11/1958 Kalla .
- D. 216,076 11/1969 Marks .
- D. 353,488 12/1994 Lin ..... D8/318
- 2,531,302 11/1950 Schwennicke .

**1 Claim, 4 Drawing Sheets**



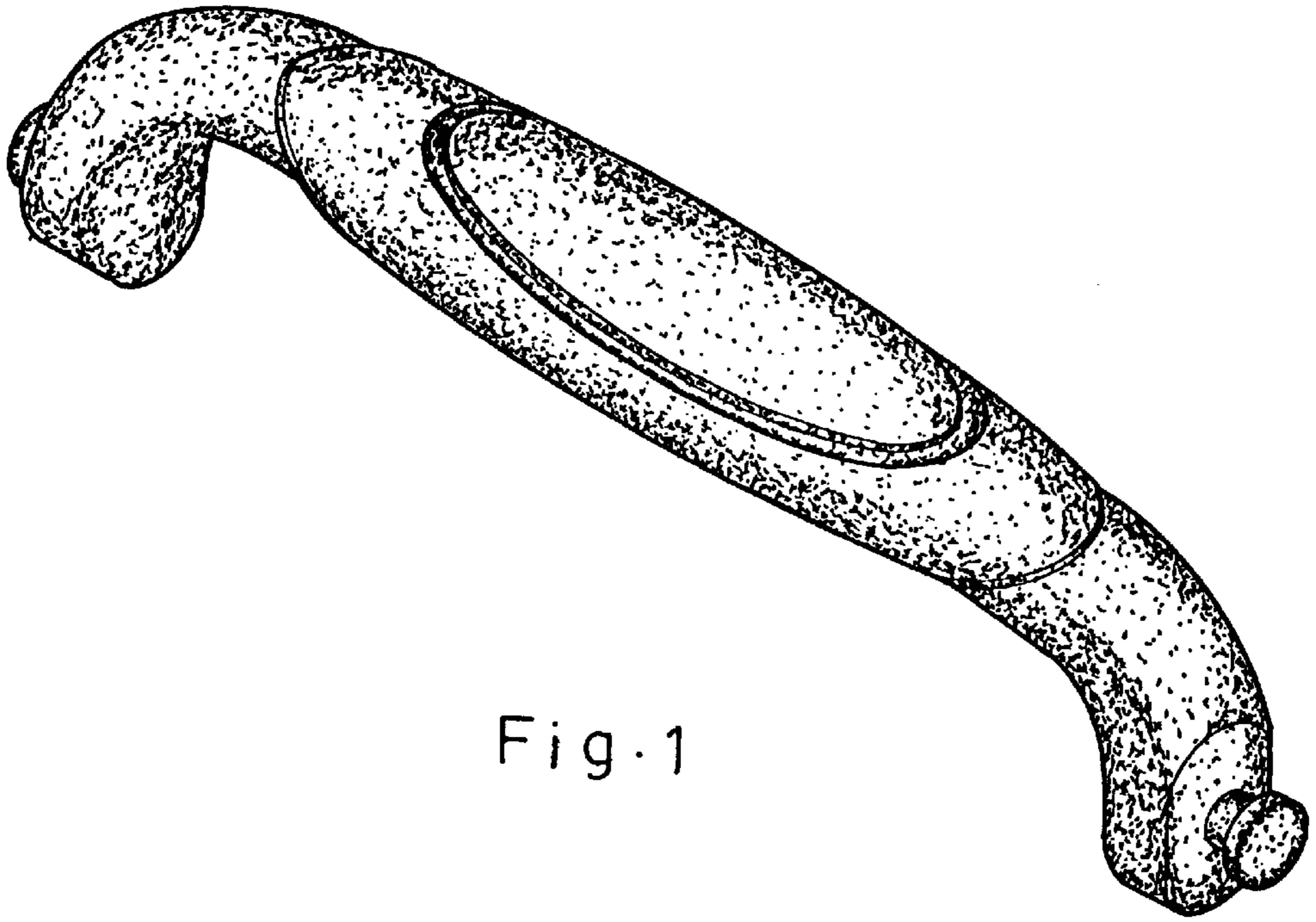


Fig. 1

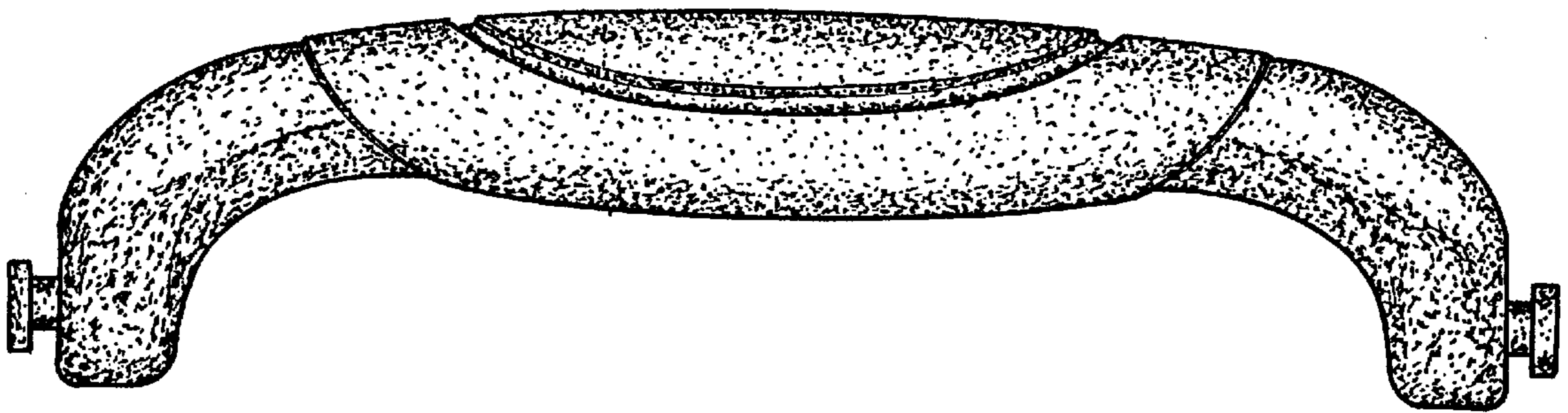


Fig. 2

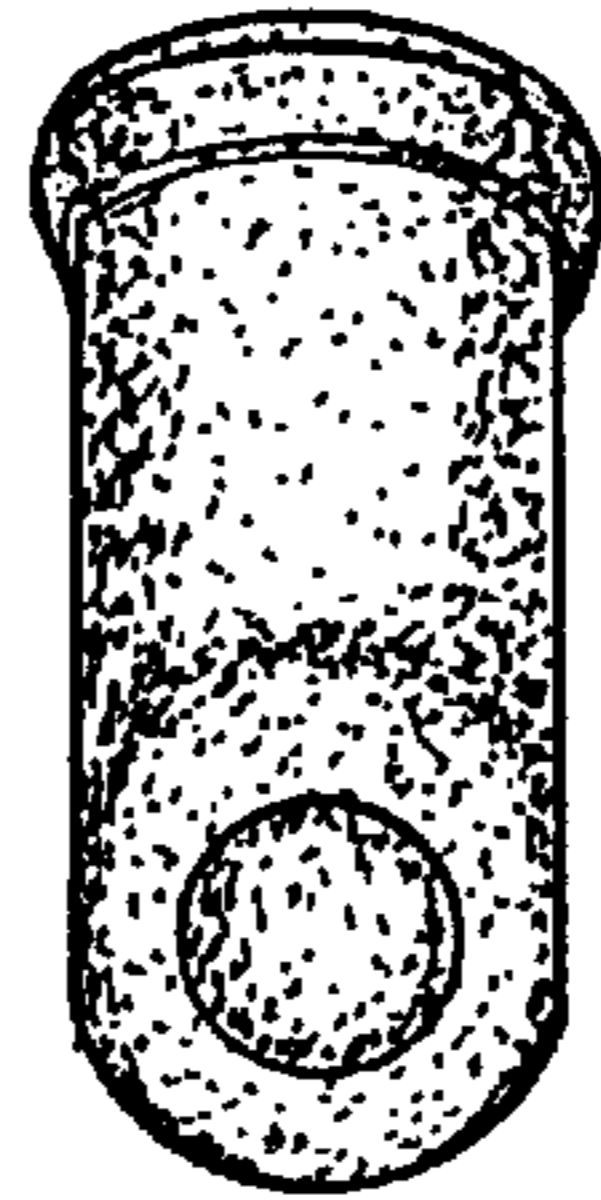


Fig. 3

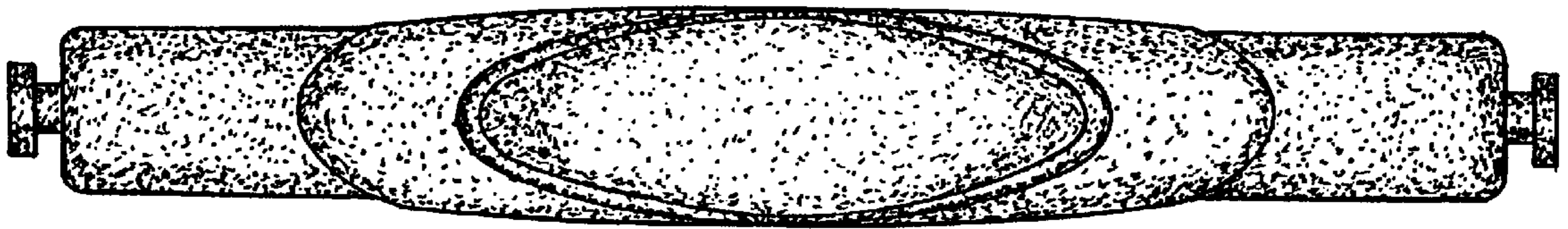


Fig. 4

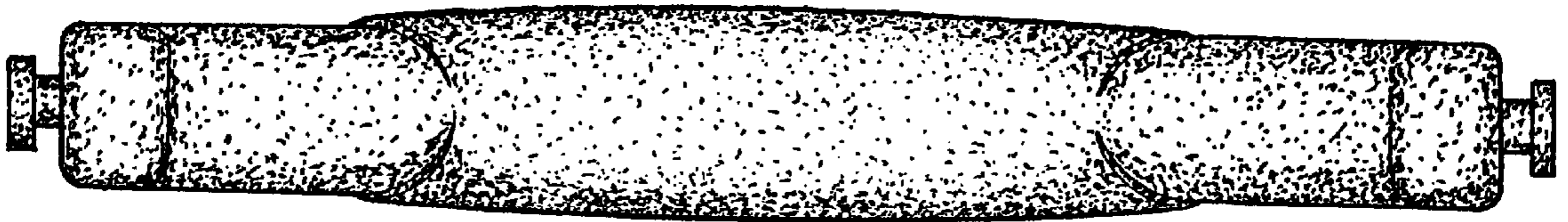


Fig. 5

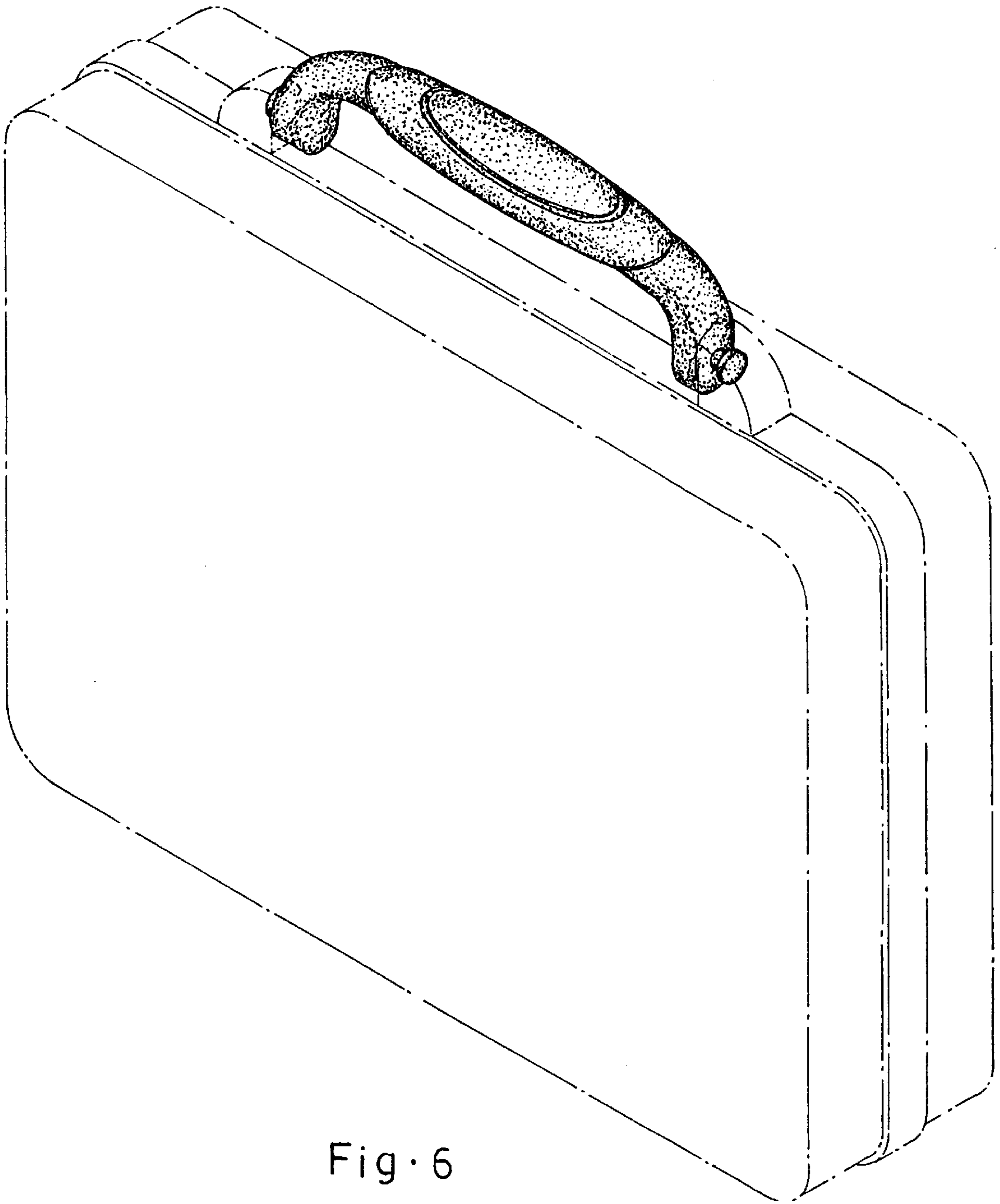


Fig. 6