



US00D408704S

United States Patent [19] Gilbert

[11] **Patent Number: Des. 408,704**

[45] **Date of Patent: **Apr. 27, 1999**

[54] **UTILITY KNIFE**

[75] **Inventor: Richard Gilbert, Dronfield, United Kingdom**

[73] **Assignee: The Stanley Works Limited, Sheffield, United Kingdom**

[**] **Term: 14 Years**

[21] **Appl. No.: 29/071,584**

[22] **Filed: Jun. 3, 1997**

[30] **Foreign Application Priority Data**

Dec. 4, 1996 [GB] United Kingdom 2061475

[51] **LOC (6) Cl. 08-03**

[52] **U.S. Cl. D8/99; D8/98**

[58] **Field of Search D8/98, 99; 30/162, 30/320, 329, 335, 337**

[56] **References Cited**

U.S. PATENT DOCUMENTS

D. 245,570 8/1977 West et al. D8/99

D. 264,802	6/1982	Osada	D8/99
D. 324,745	3/1992	Staubitz et al.	D8/99
D. 336,028	6/1993	Yoshimoto	D8/99
D. 347,563	6/1994	Okada	D8/99
3,316,635	5/1967	Merrow et al.	30/162

Primary Examiner—Philip S. Hyder
Attorney, Agent, or Firm—Pepe & Hazard LLP

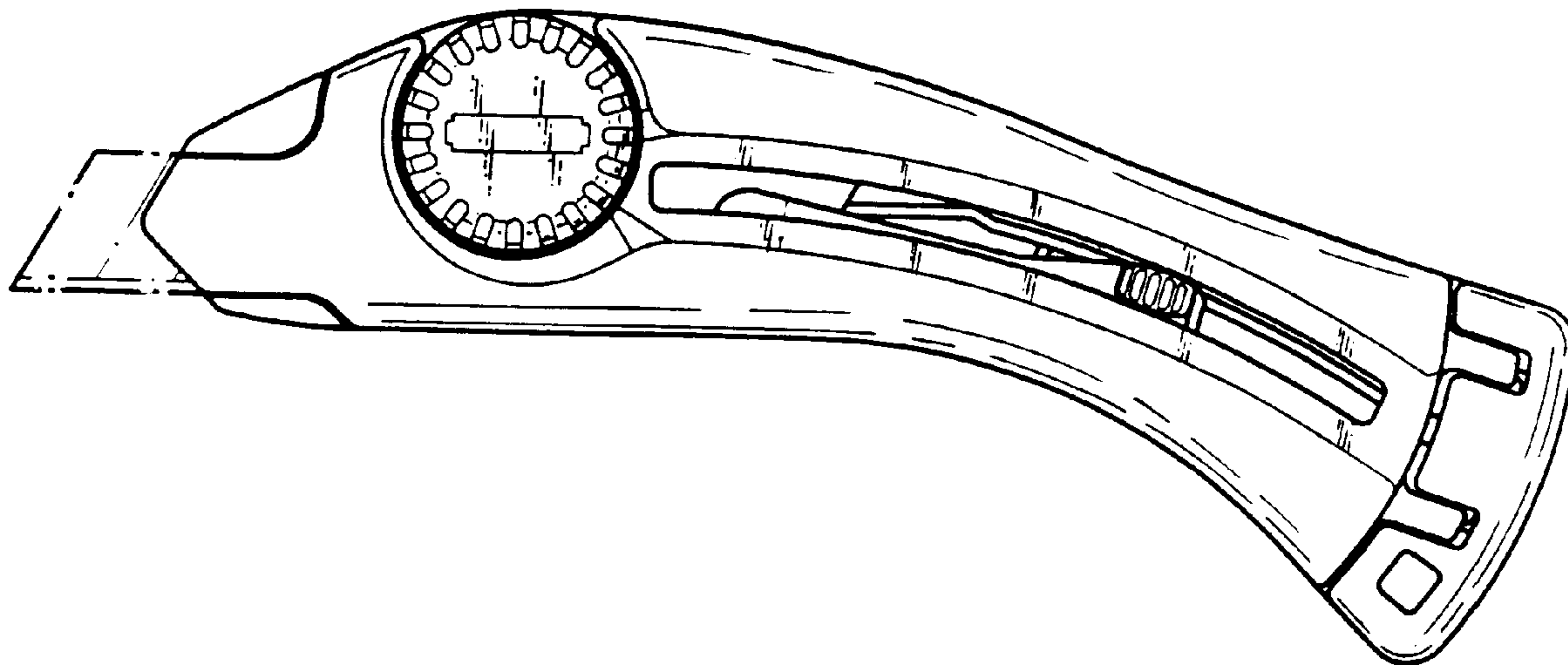
[57] **CLAIM**

The ornamental design for a utility knife, as shown and described.

DESCRIPTION

FIG. 1 is a front elevational view of a utility knife showing my new design;
FIG. 2 is a rear elevational view thereof;
FIG. 3 is a left end view thereof;
FIG. 4 is a right end view thereof;
FIG. 5 is a top plan view thereof; and,
FIG. 6 is a bottom plan view thereof.
The broken line showing of the cutting blade is for illustrative purposes only and forms no part of the claimed design.

1 Claim, 1 Drawing Sheet



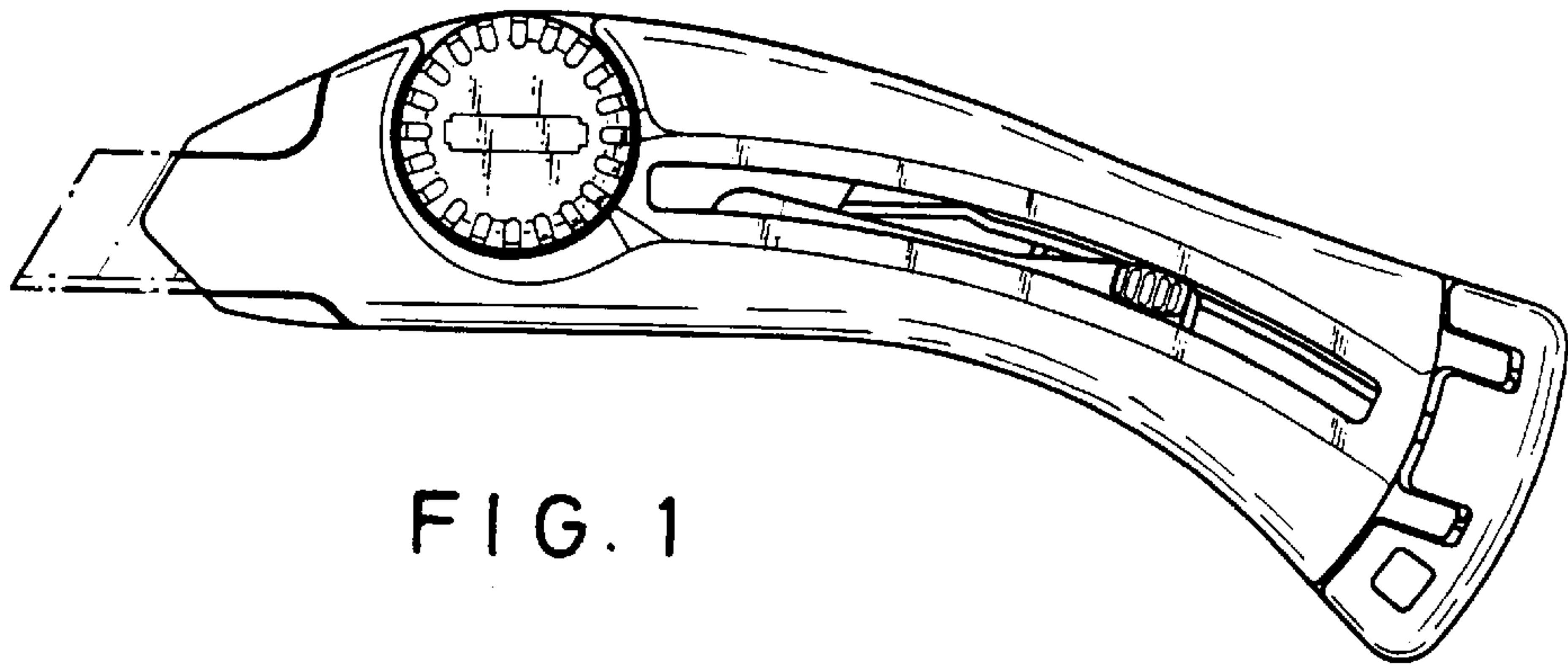


FIG. 1

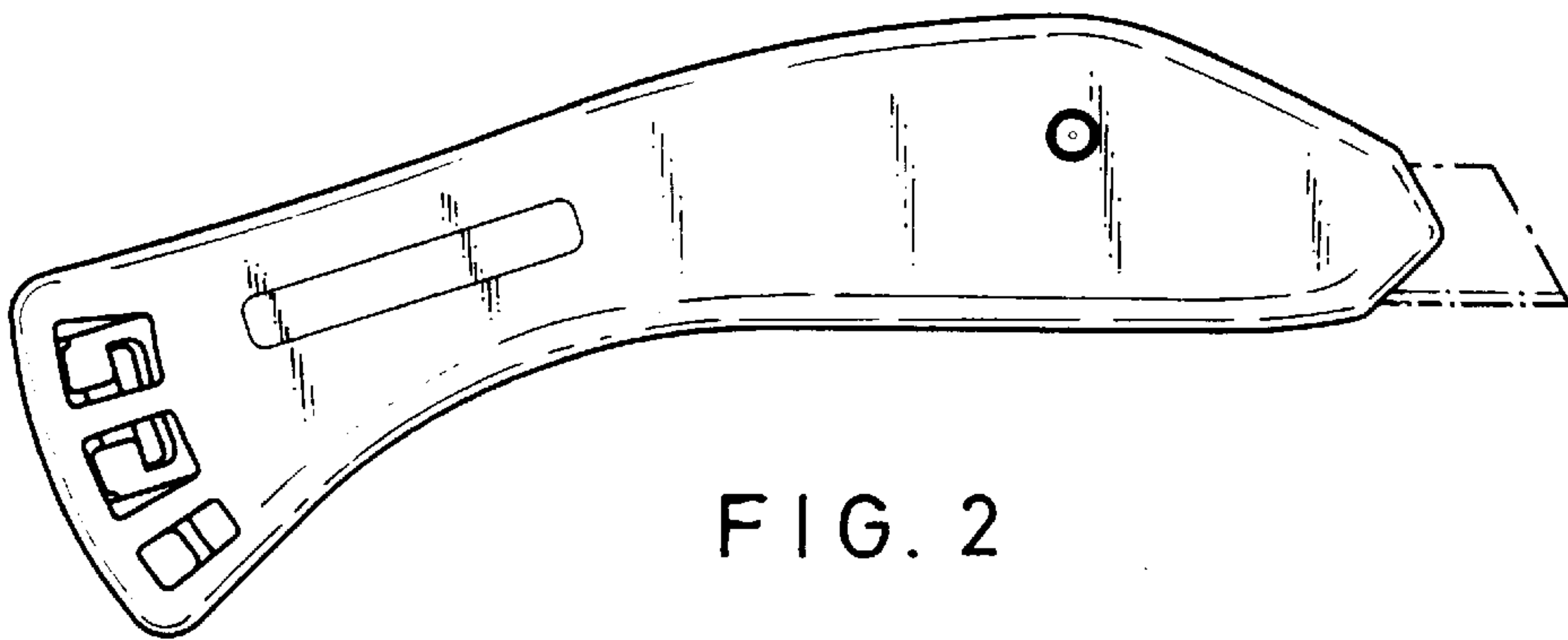


FIG. 2

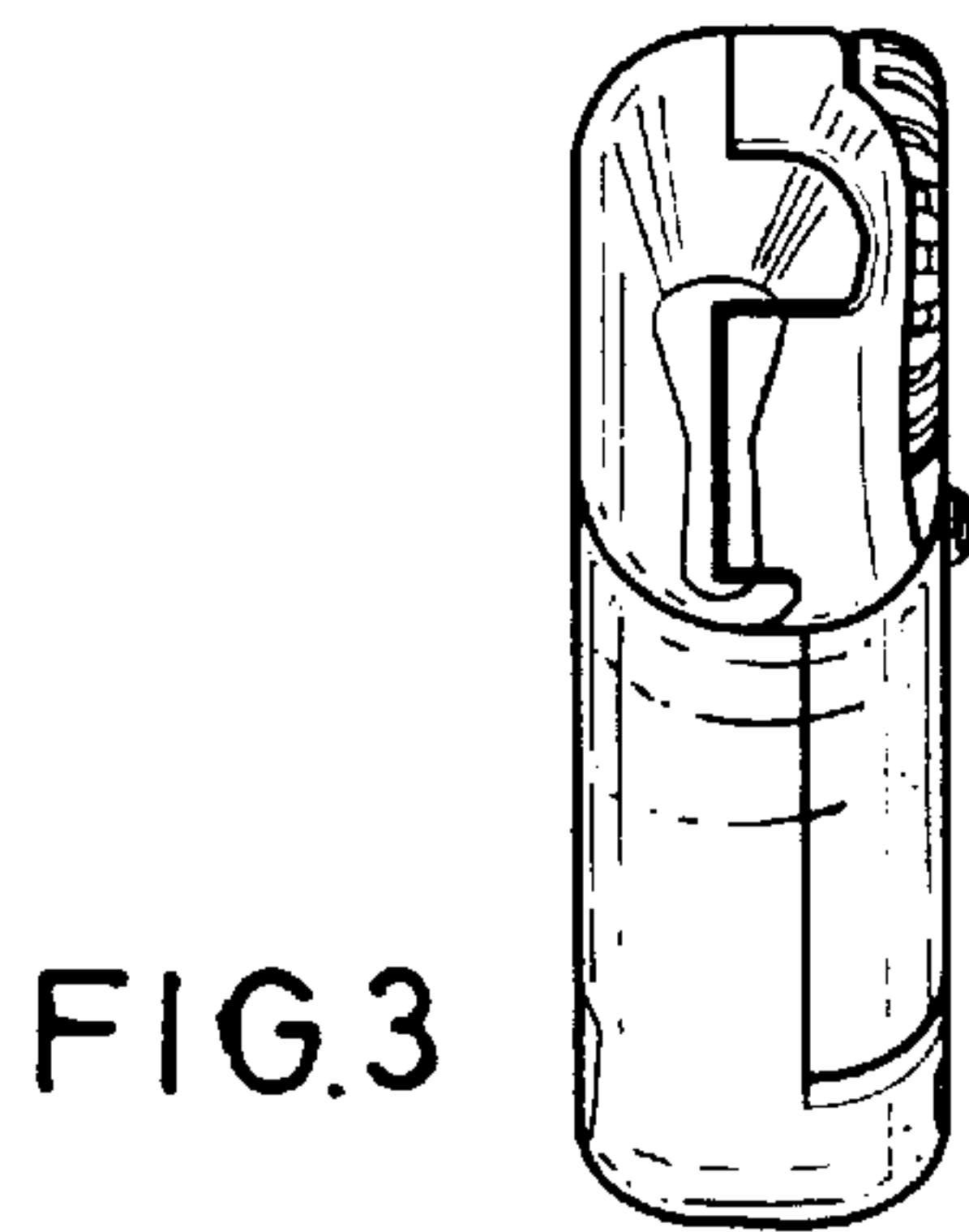


FIG. 3

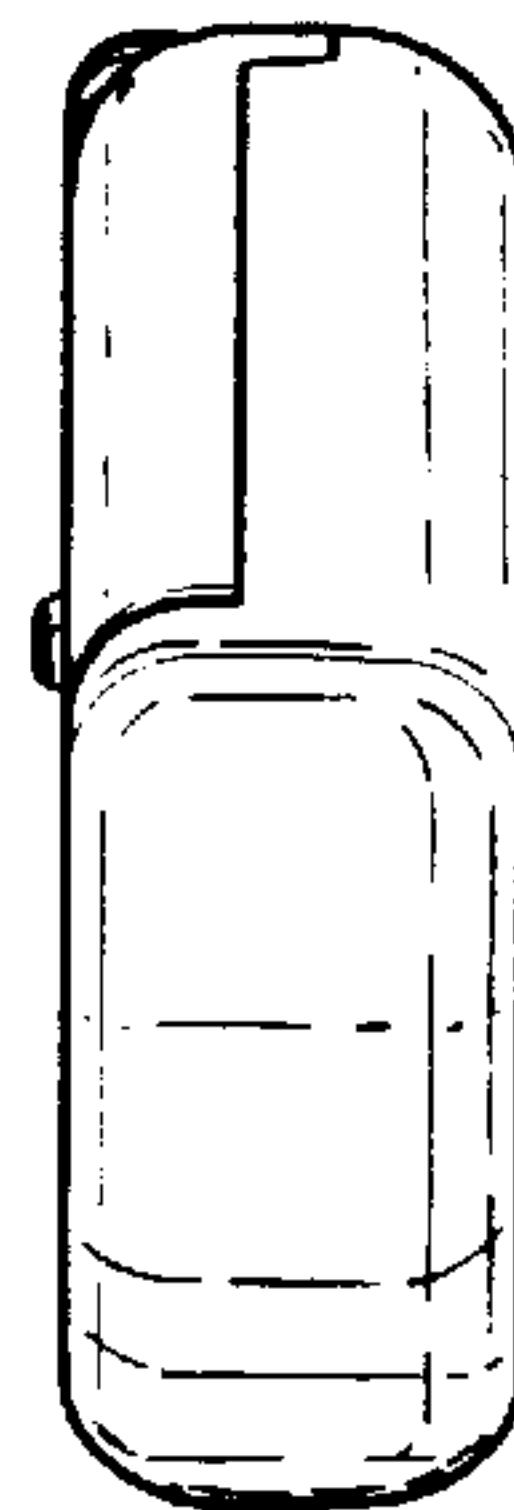


FIG. 4

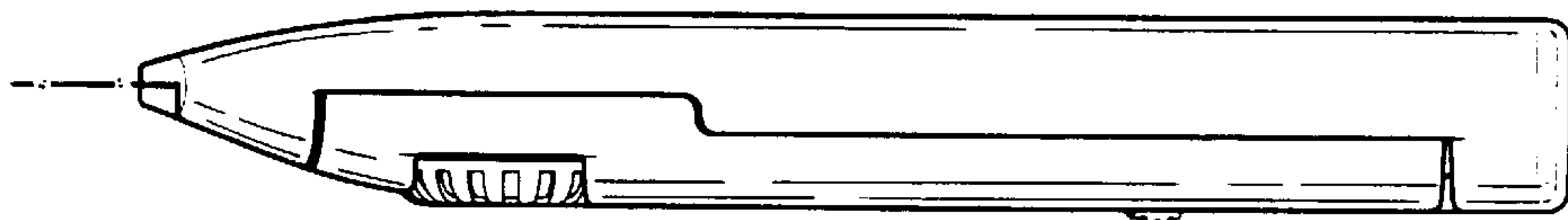


FIG. 5

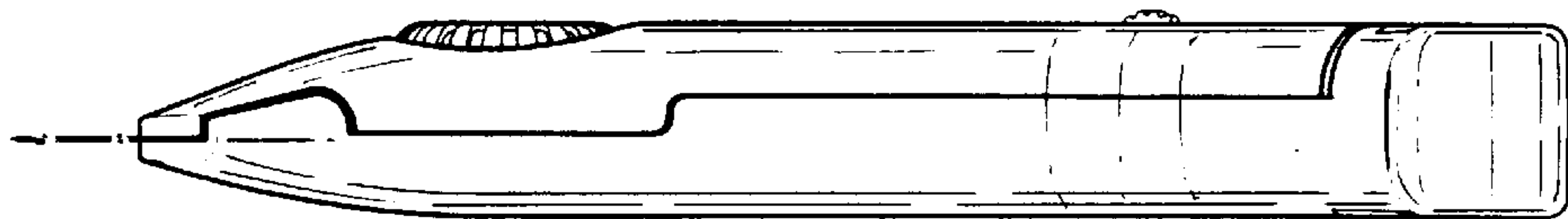


FIG. 6