



US00D408701S

United States Patent [19]

Marcus

[11] Patent Number: Des. 408,701

[45] Date of Patent: **Apr. 27, 1999

[54] PORTABLE VISE ADAPTED FOR SUPPORTING A DOOR OR SIMILAR PLANAR OBJECT IN A VERTICAL MANNER ABOVE AN HORIZONTAL SURFACE

[76] Inventor: Darrell J. Marcus, 4916 Torrey La., Apt 313, Arlington, Tex. 76017

[**] Term: 14 Years

[21] Appl. No.: 29/071,326

[22] Filed: May 27, 1997

[51] LOC (6) Cl. 08-05

[52] U.S. Cl. D8/72

[58] Field of Search D8/72, 74; 72/457-461; 269/131, 133, 905, 254 R, 237, 254 CS

[56] **References Cited**

U.S. PATENT DOCUMENTS

4,072,303	2/1978	Szabo	269/131
4,391,437	7/1983	Collins	269/254 CS
4,799,658	1/1989	Ponce	269/133

Primary Examiner—Antoine Duval Davis
Attorney, Agent, or Firm—Charles W. McHugh

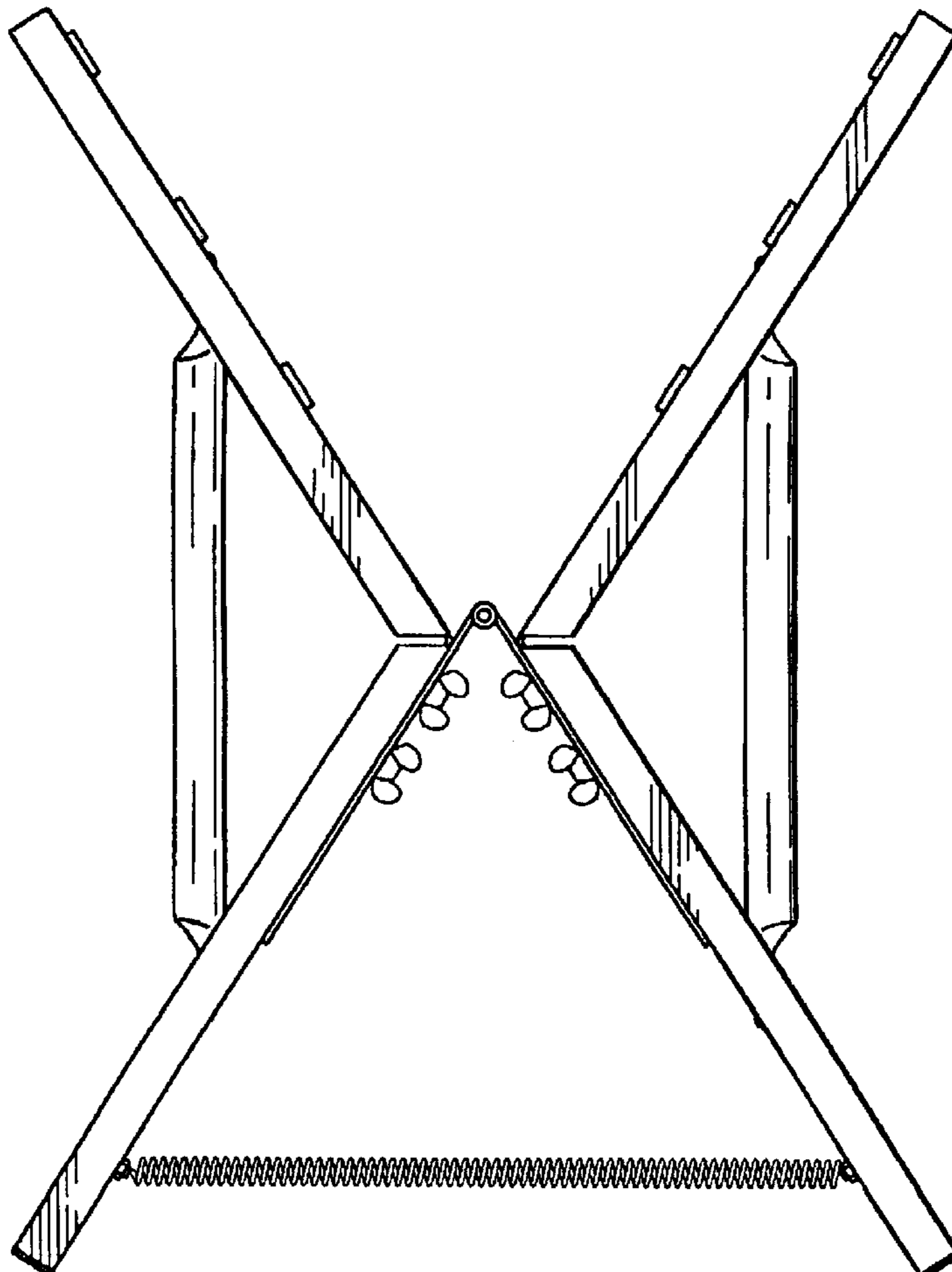
[57] **CLAIM**

The ornamental design for a “portable vise adapted for supporting a door or similar planar object in a vertical manner above an horizontal surface,” as shown and described.

DESCRIPTION

FIG. 1 is a top plan view of the “portable vise adapted for supporting a door or similar planar object in a vertical manner above an horizontal surface,” showing my new design for a vise in its rest condition wherein it is open and ready to receive a door or similar planar object; FIG. 2 is a right side elevation view thereof, and the left side elevation view being a mirror image thereof; FIG. 3 is a front elevation view thereof, and the rear elevation view being a mirror image thereof; FIG. 4 is a bottom plan view thereof; FIG. 5 is front elevation view showing my new design in its closed position wherein it would grab and hold a door or similar planar object whose weight would cause it to automatically close; and, FIG. 6 is a bottom plan view of the design in the position as shown in FIG. 5.

1 Claim, 2 Drawing Sheets



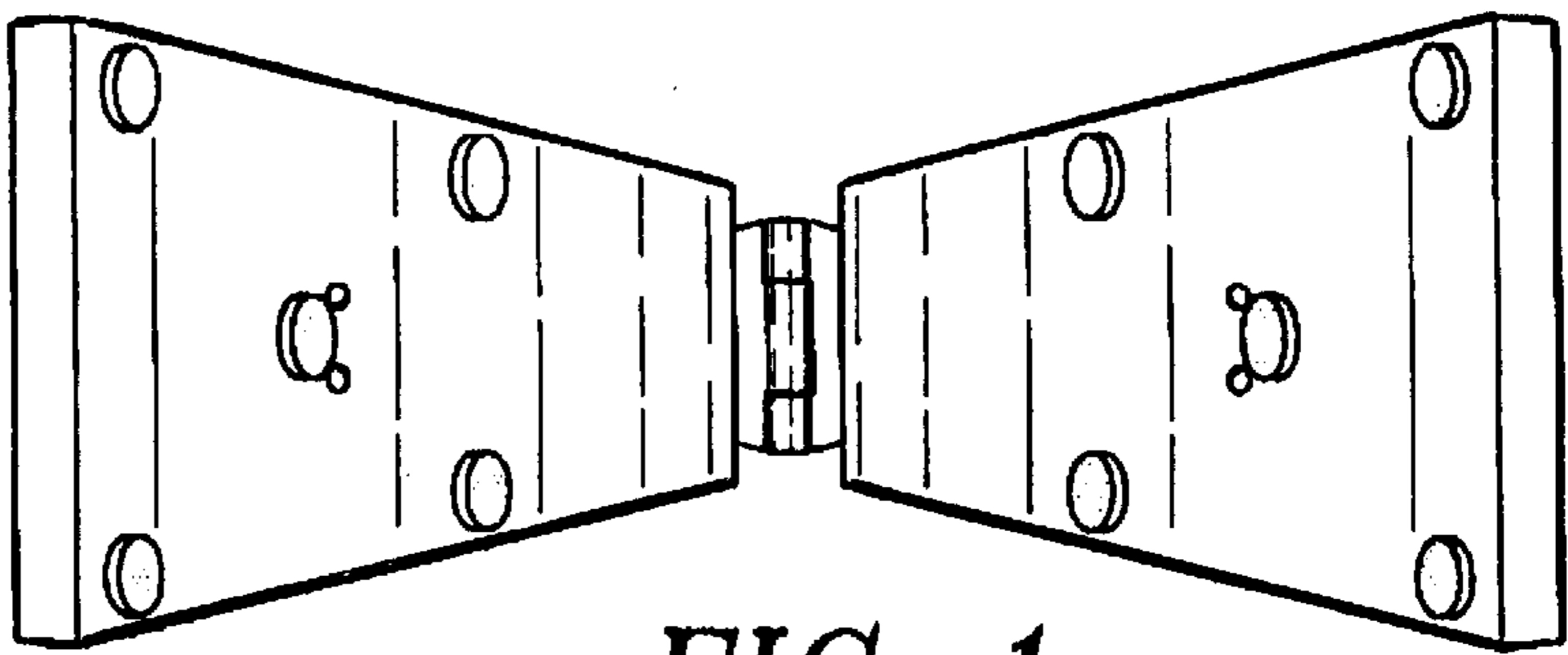


FIG. 1

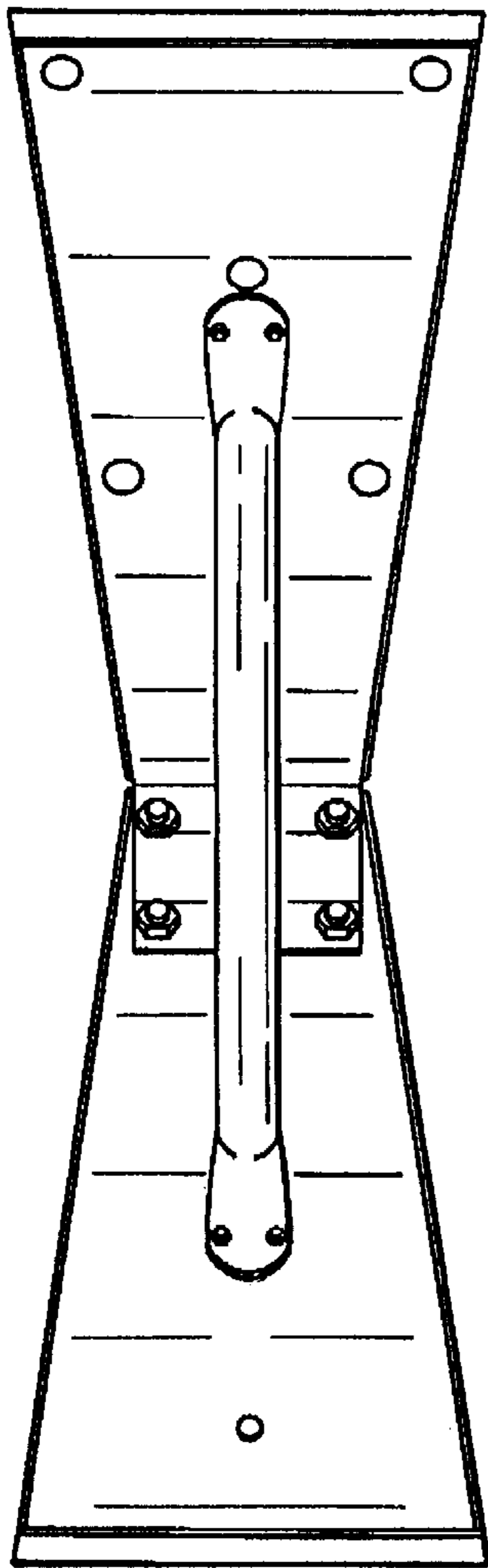


FIG. 2

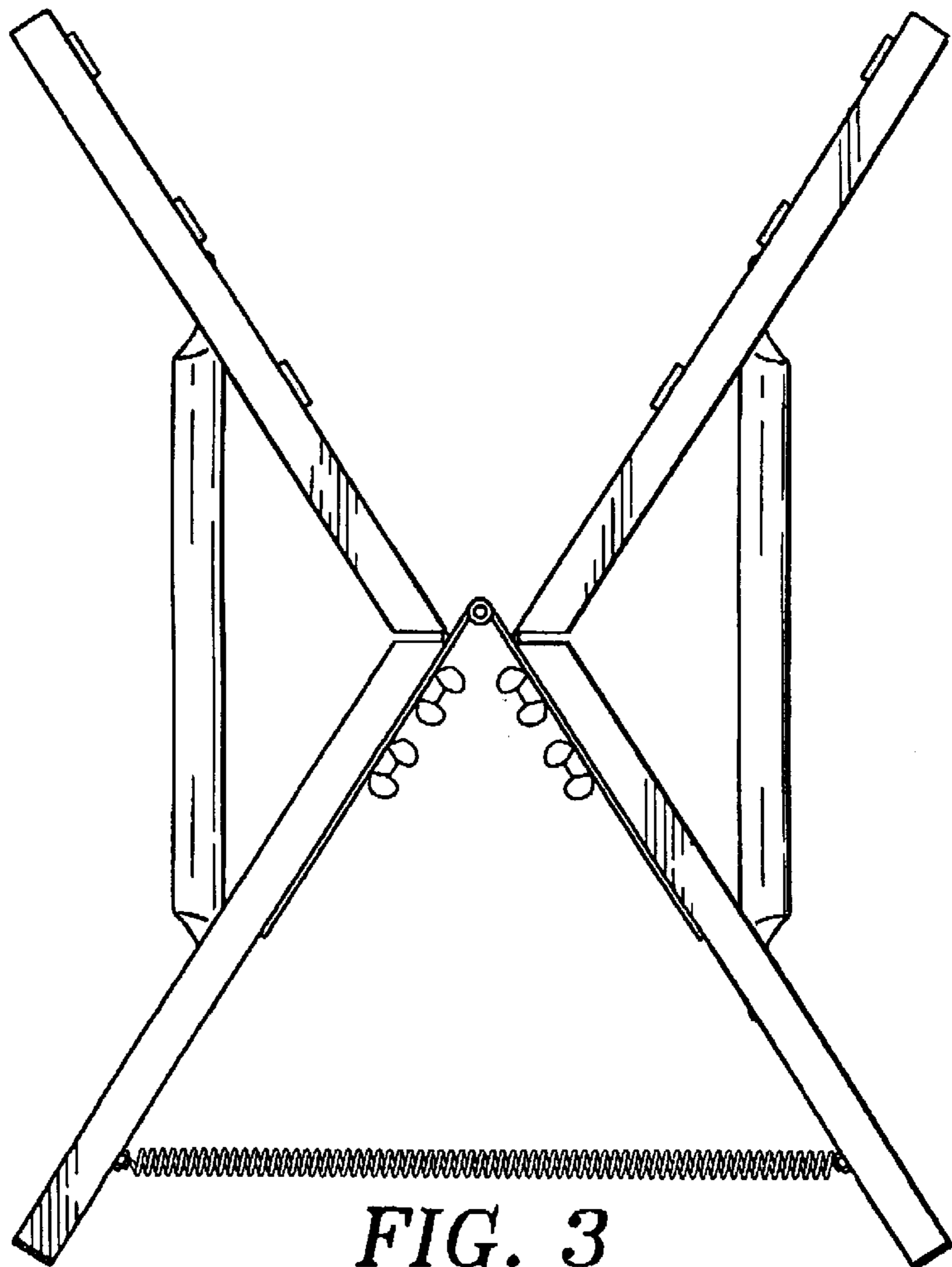


FIG. 3

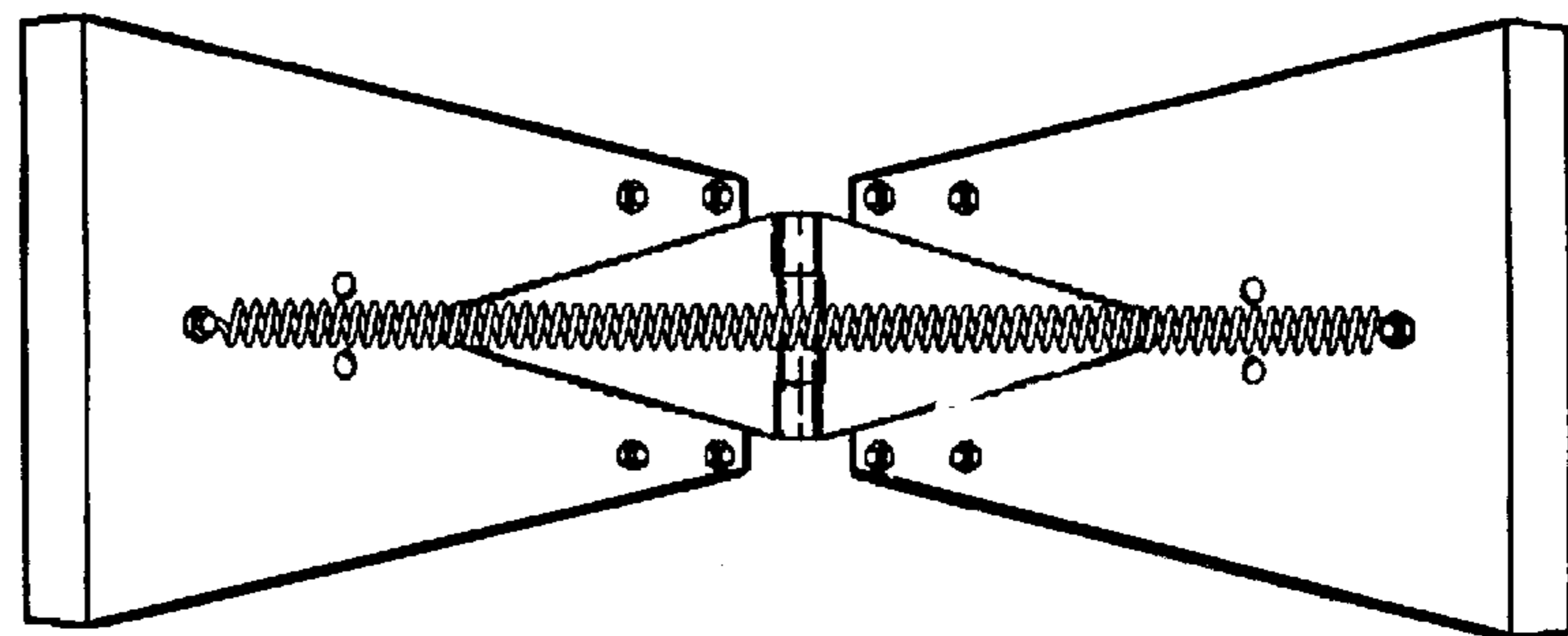


FIG. 4

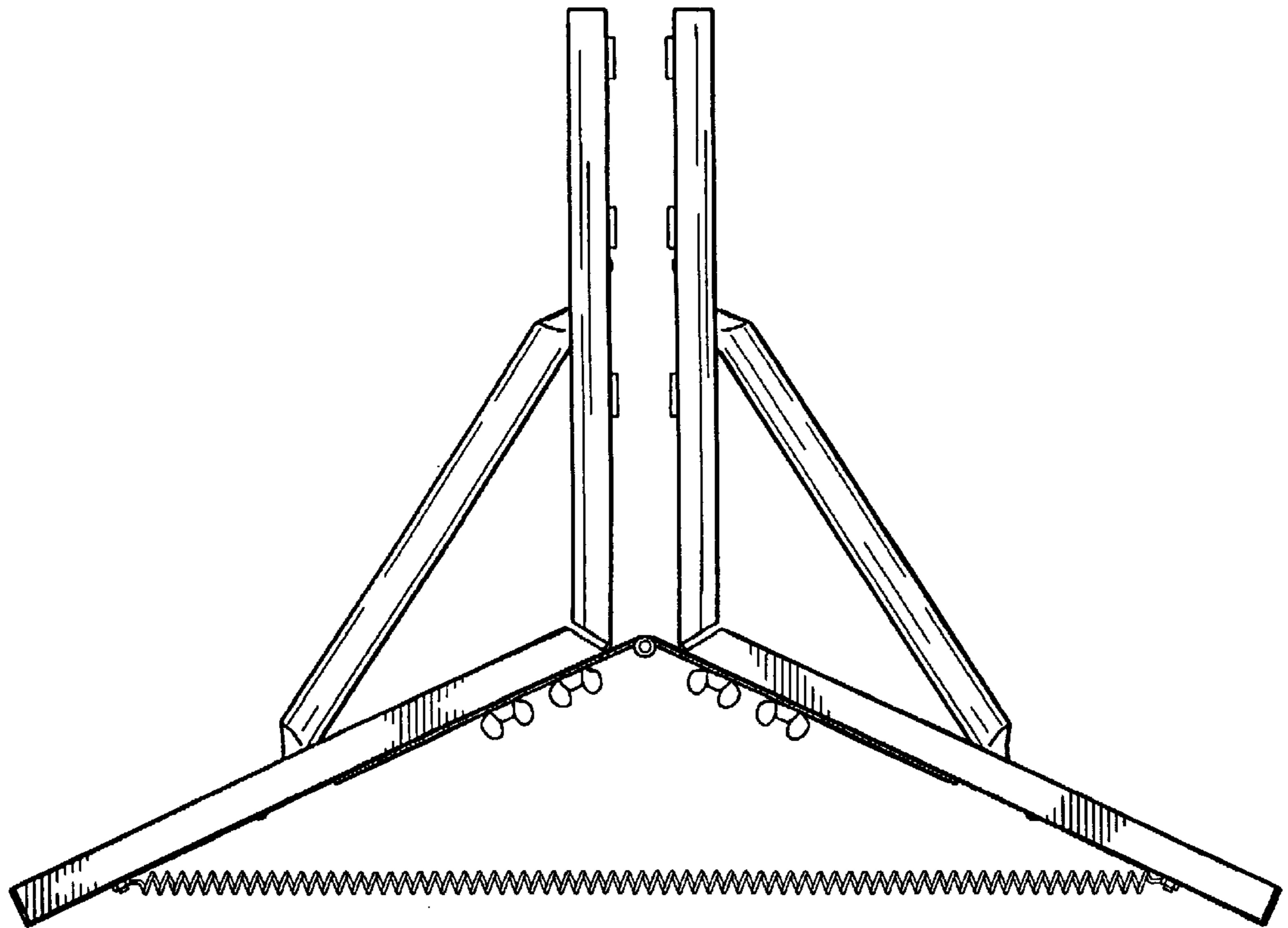


FIG. 5

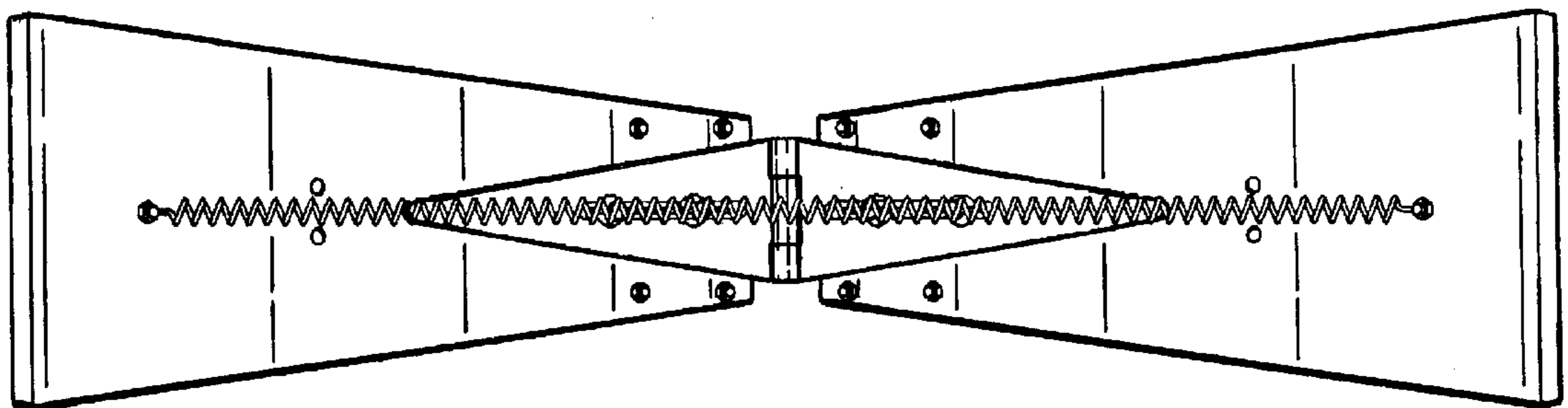


FIG. 6