



US00D408697S

# United States Patent [19] de Bergen

[11] Patent Number: Des. 408,697

[45] Date of Patent: \*\*Apr. 27, 1999

[54] **LEVER-TYPE CORK EXTRACTOR**

[75] Inventor: **Stephane de Bergen**, Moret-Sur-Long, France

[73] Assignee: **Le Cresuet S.A.**, Fresnoy-le-Grand, France

[\*\*] Term: **14 Years**

[21] Appl. No.: **29/085,975**

[22] Filed: **Apr. 1, 1998**

[51] **LOC (6) Cl.** ..... **07-06**

[52] **U.S. Cl.** ..... **D8/42**

[58] **Field of Search** ..... D8/33-43; 7/151-156; 30/400, 447, 1.5; 81/3.07, 3.27, 3.37, 3.55, 3.57, 3.48

[56] **References Cited**

**U.S. PATENT DOCUMENTS**

D. 174,858	5/1955	Greco et al.	.....	D8/33
390,183	9/1888	Morgan	.....	81/3.09
2,725,622	12/1955	Geier	.....	30/447

*Primary Examiner*—Caron D. Veynar  
*Attorney, Agent, or Firm*—Browning Bushman

[57] **CLAIM**

The ornamental design for a lever-type cork extractor, as shown and described.

**DESCRIPTION**

FIG. 1 is a right side elevation view of the lever-type cork extractor showing my new design;

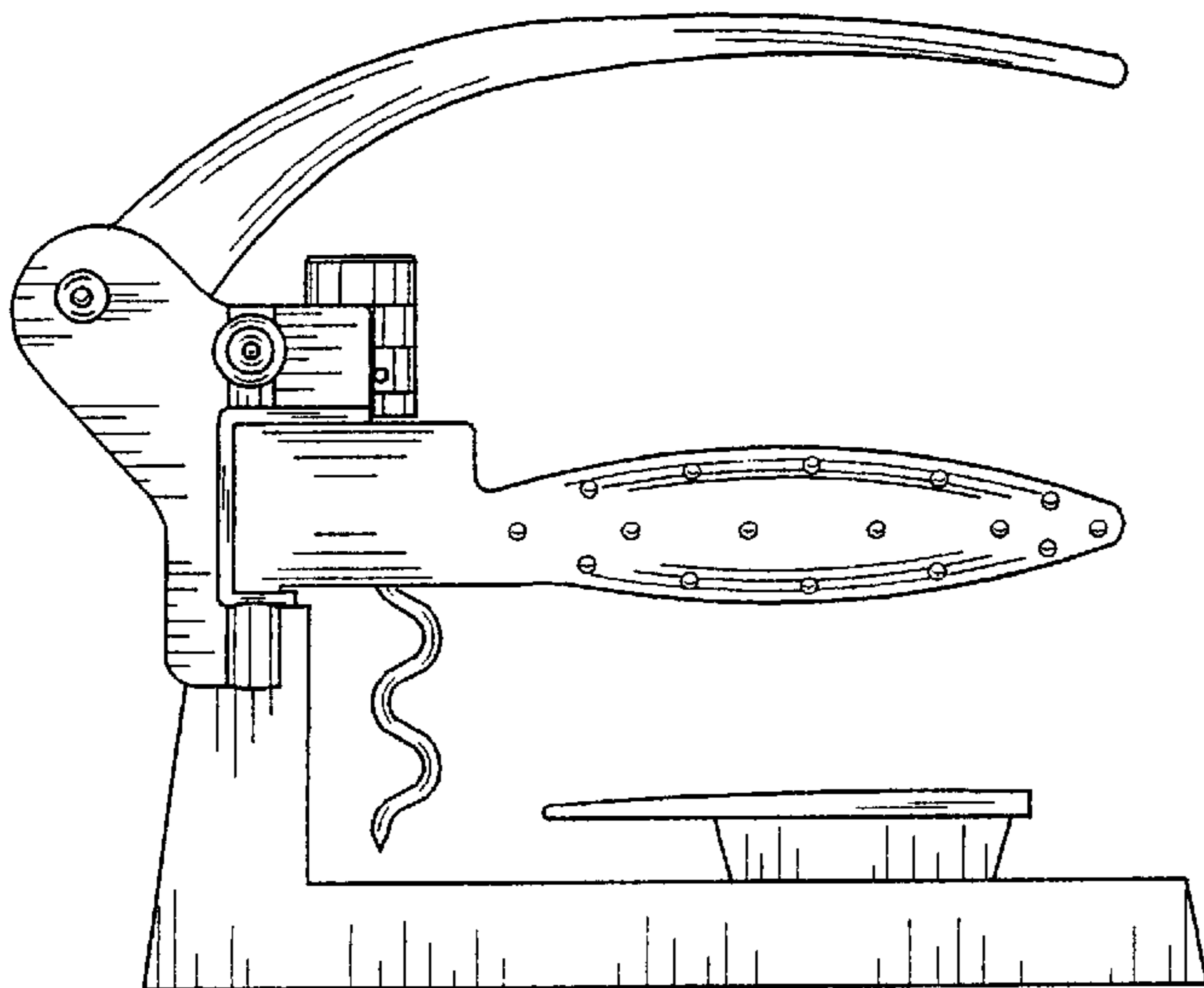
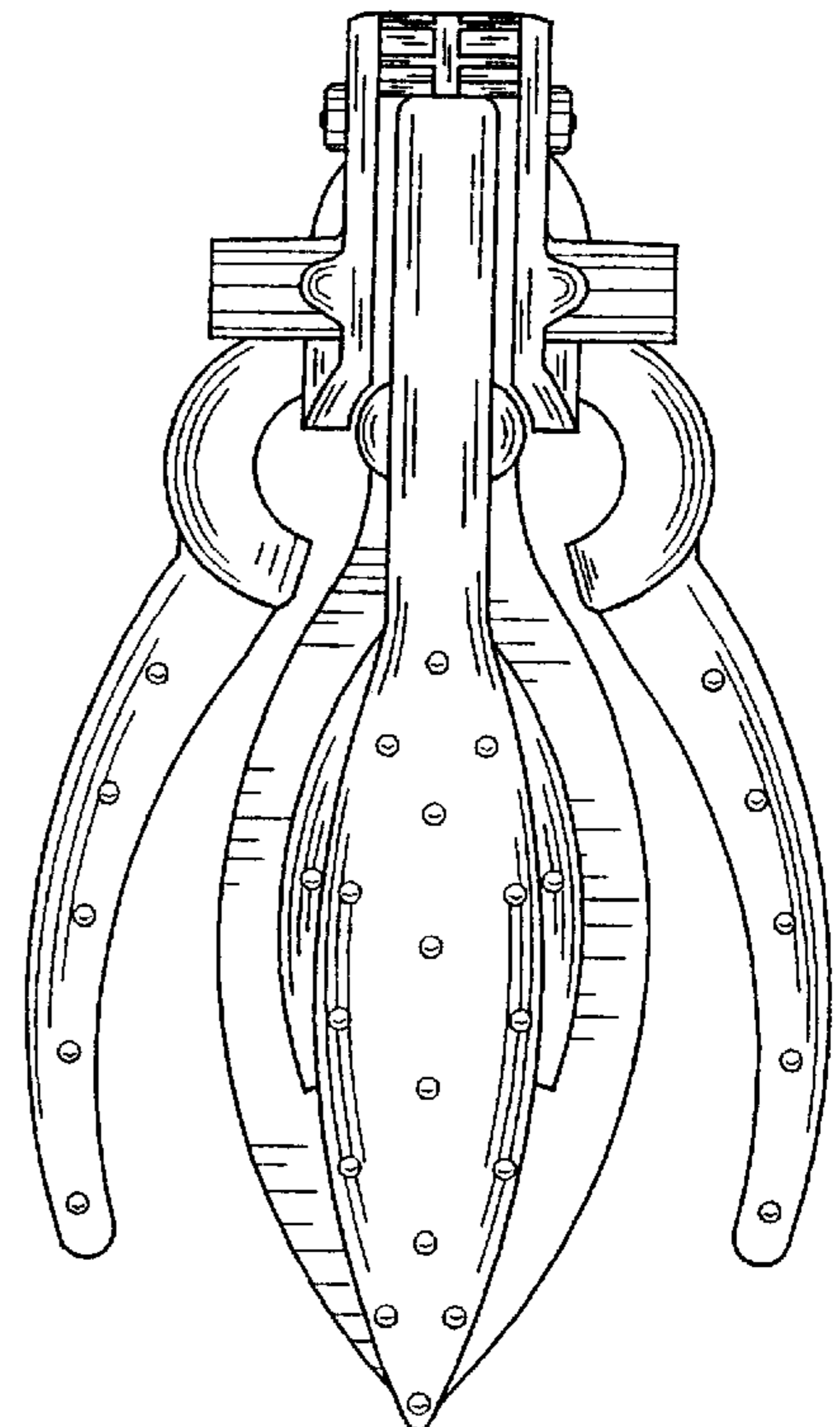


FIG. 2 is a left side elevation view thereof;  
 FIG. 3 is a right side view of the cork extractor unit shown FIG. 1 shown in separately for ease of illustration;  
 FIG. 4 is a left side view of the base shown in FIGS. 1 and 2 shown separately for ease of illustration;  
 FIG. 5 is a left side view of the cork extractor unit shown in FIGS. 1 and 2 shown separately for ease of illustration;  
 FIG. 6 is a right side view of the base shown in FIGS. 1 and 2 shown separately for ease of illustration;  
 FIG. 7 is a top view of the cork extractor unit shown in FIGS. 1 and 2 shown separately for ease of illustration;  
 FIG. 8 is a top view of the base shown in FIGS. 1 and 2 shown separately for ease of illustration;  
 FIG. 9 is a bottom view of the cork extractor unit shown in FIG. 7 shown separately for ease of illustration;  
 FIG. 10 is a bottom view of the base shown in FIG. 8 shown separately for ease of illustration;  
 FIG. 11 is a left end view of the cork extractor unit shown in FIGS. 1 and 2 shown separately for ease of illustration;  
 FIG. 12 is a left end view of the base shown in FIGS. 1 and 2 shown separately for ease of illustration;  
 FIG. 13 is a right end view of the cork extractor unit shown in FIGS. 1 and 2 shown separately for ease of illustration;  
 FIG. 14 is a right end view of the base shown in FIGS. 1 and 2 shown separately for ease of illustration;  
 FIG. 15 is a top view of the assembled lever-type cork extractor shown in FIGS. 1 and 2;  
 FIG. 16 is a bottom view of the assembled lever-type cork extractor shown in FIGS. 1 and 2;  
 FIG. 17 is a left end view of the assembled lever-type cork extractor shown in FIGS. 1 and 2; and,  
 FIG. 18 is a right end view of the assembled lever-type cork extractor shown in FIGS. 1 and 2.

**1 Claim, 6 Drawing Sheets**



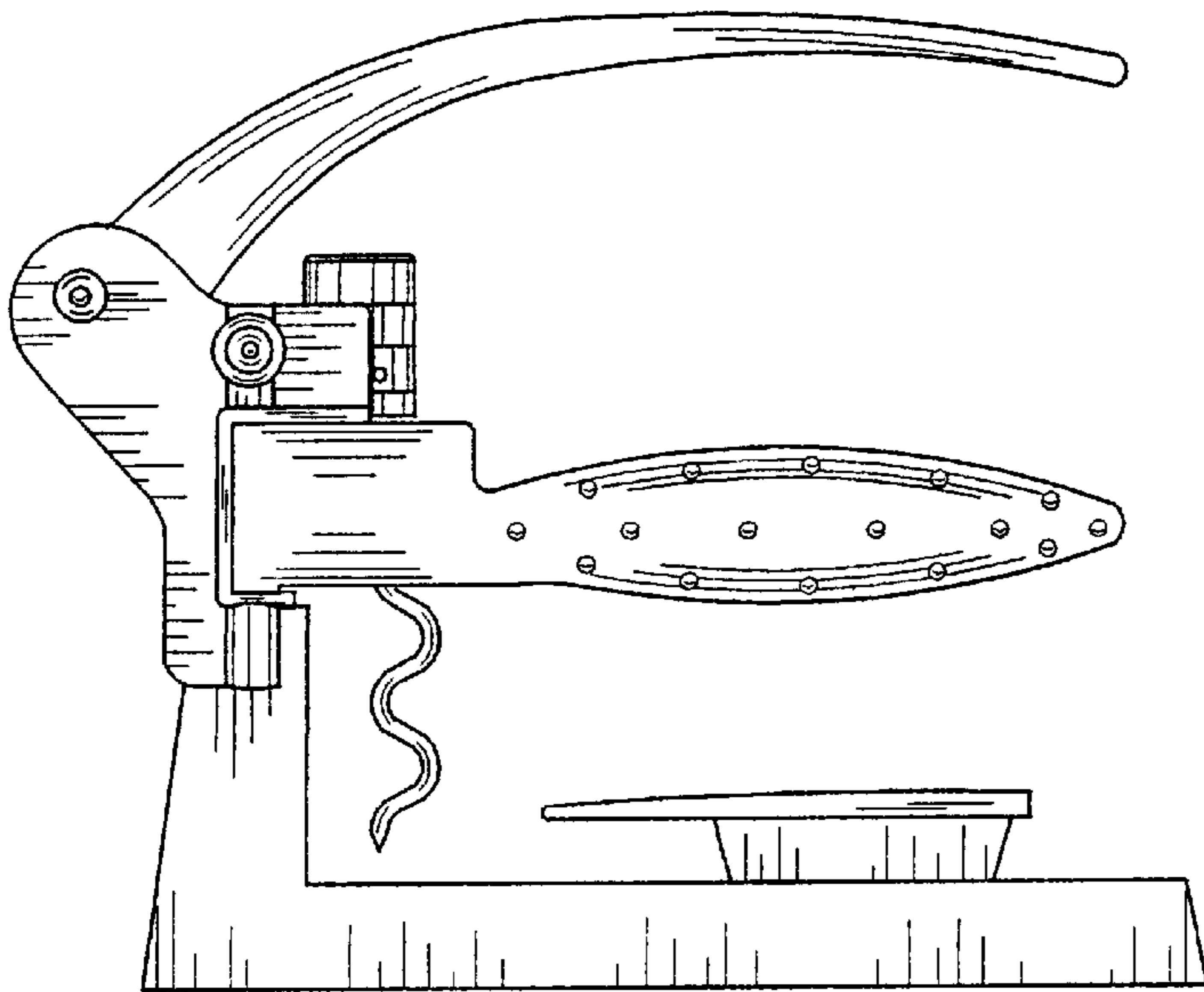


FIG. 1

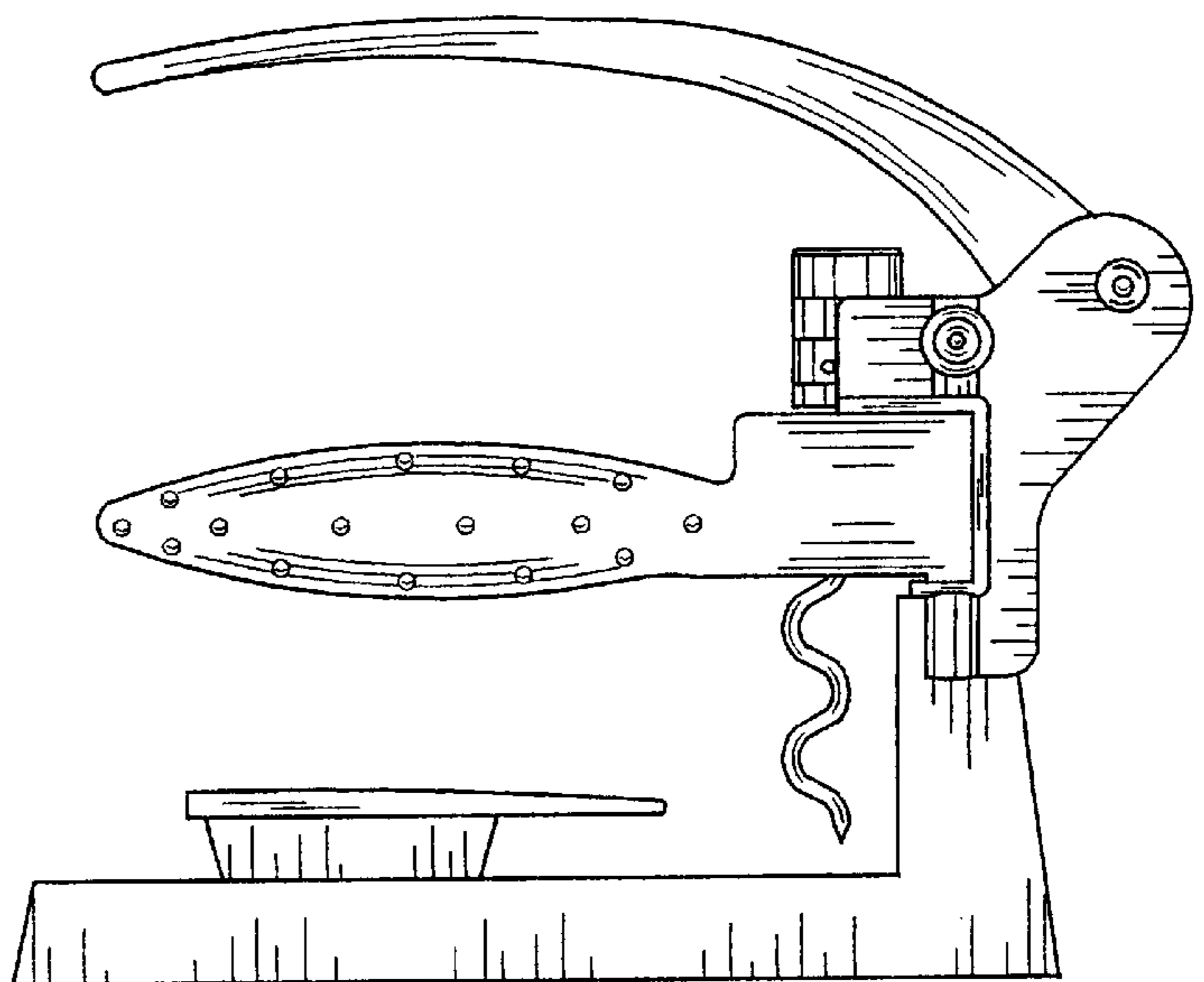


FIG. 2

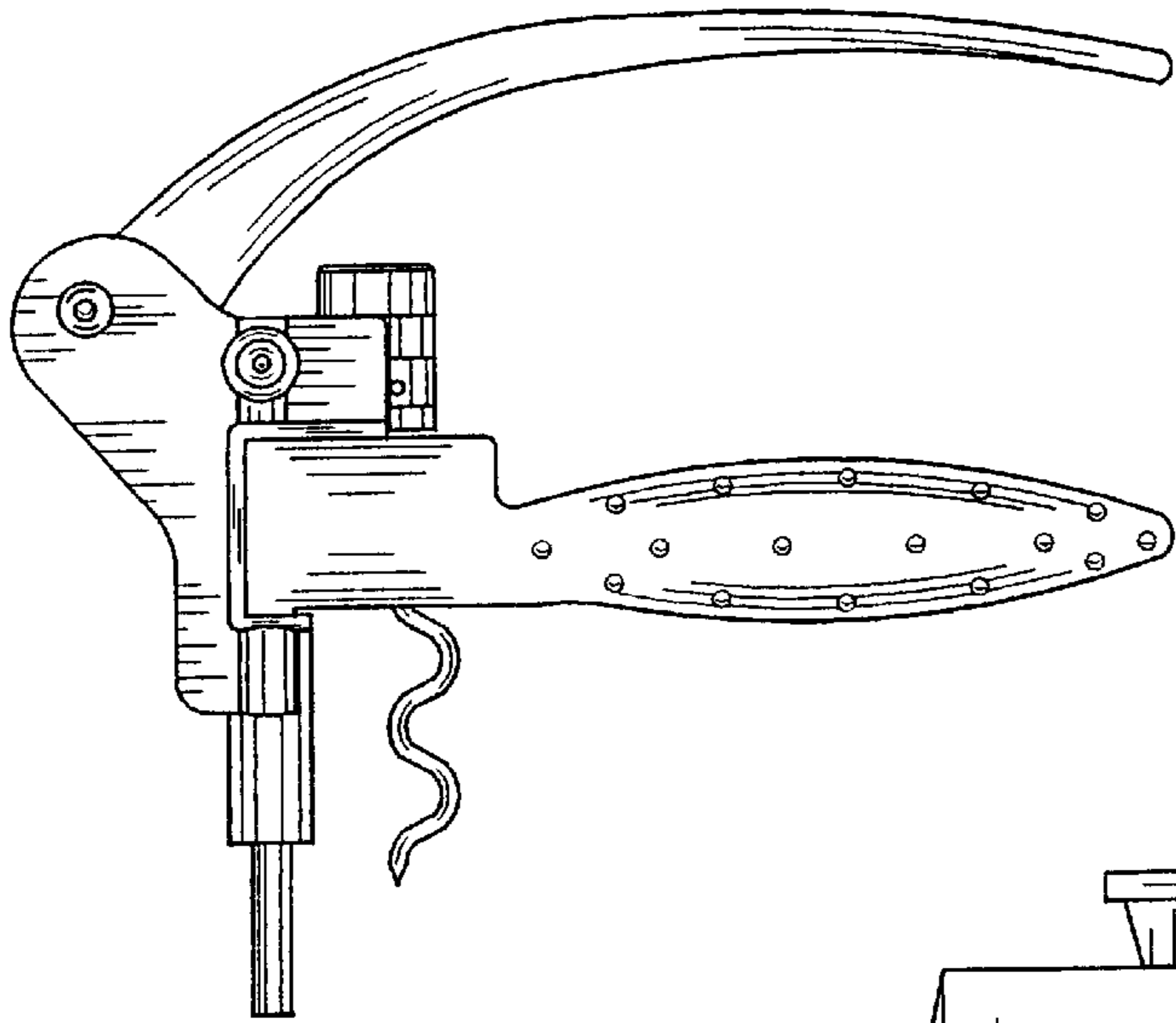


FIG. 3

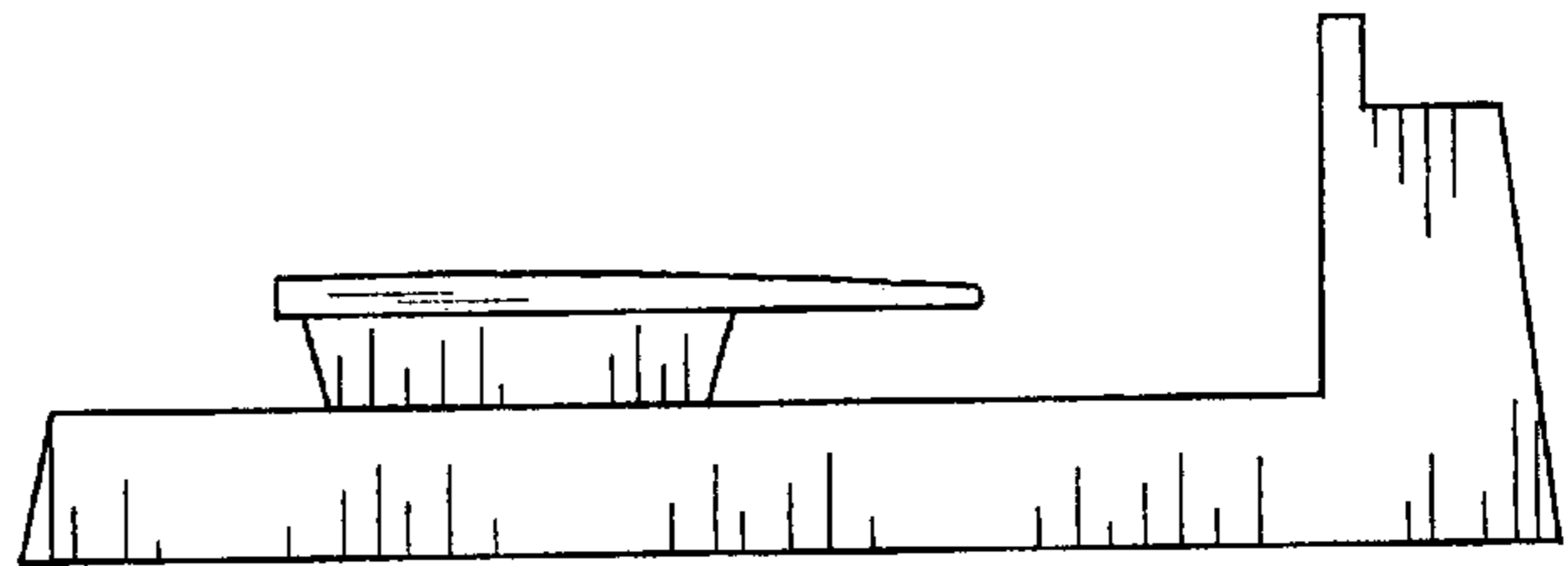


FIG. 4

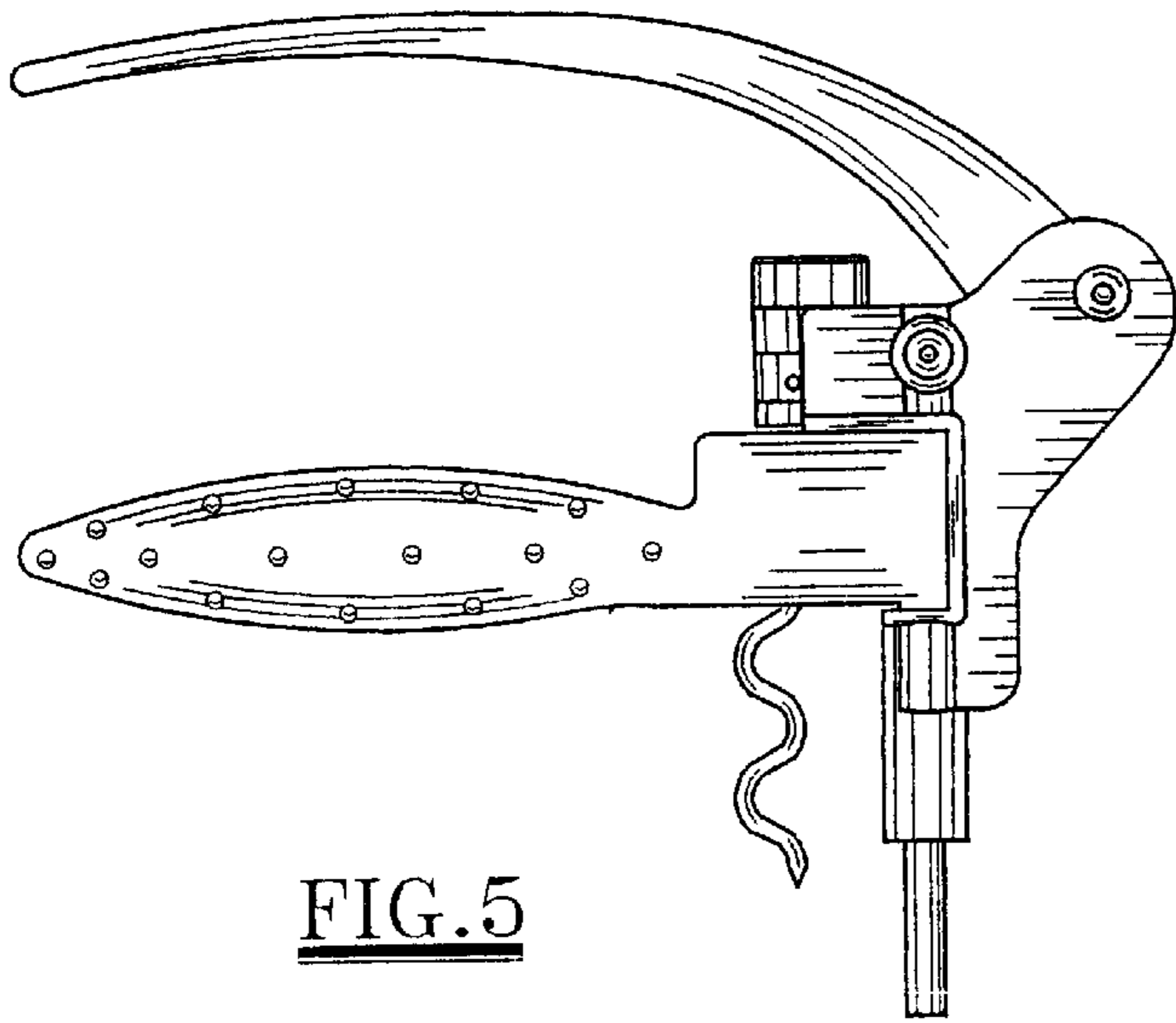


FIG. 5

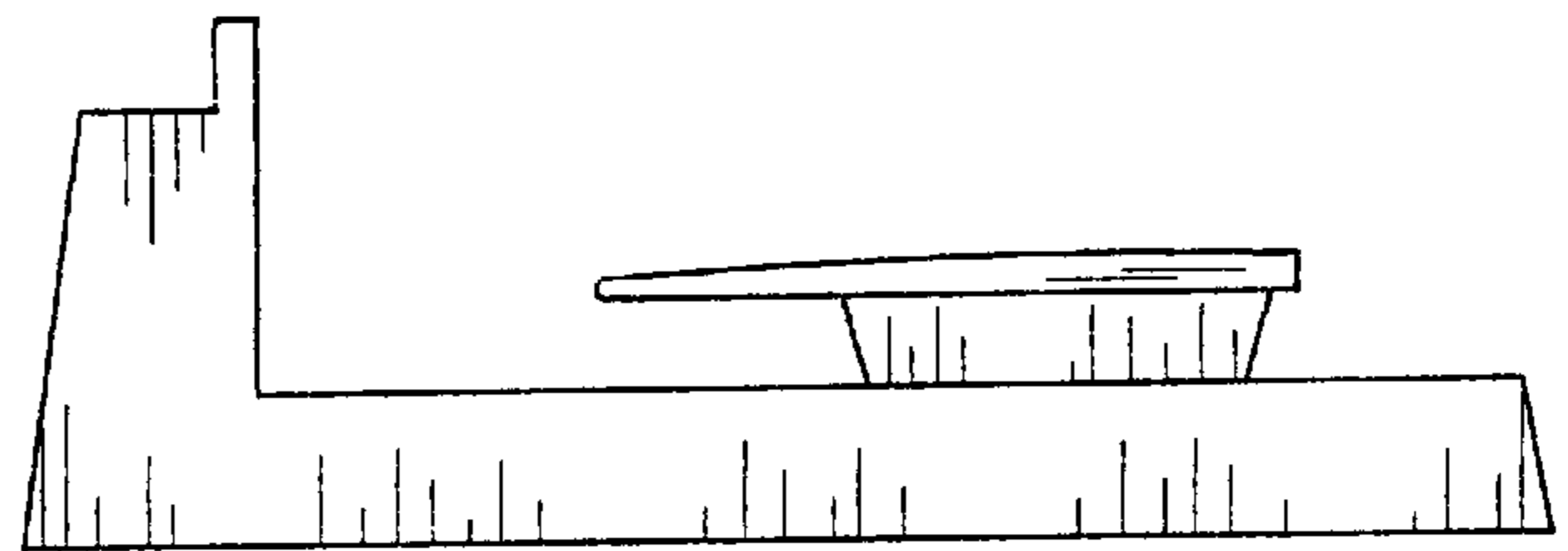


FIG. 6

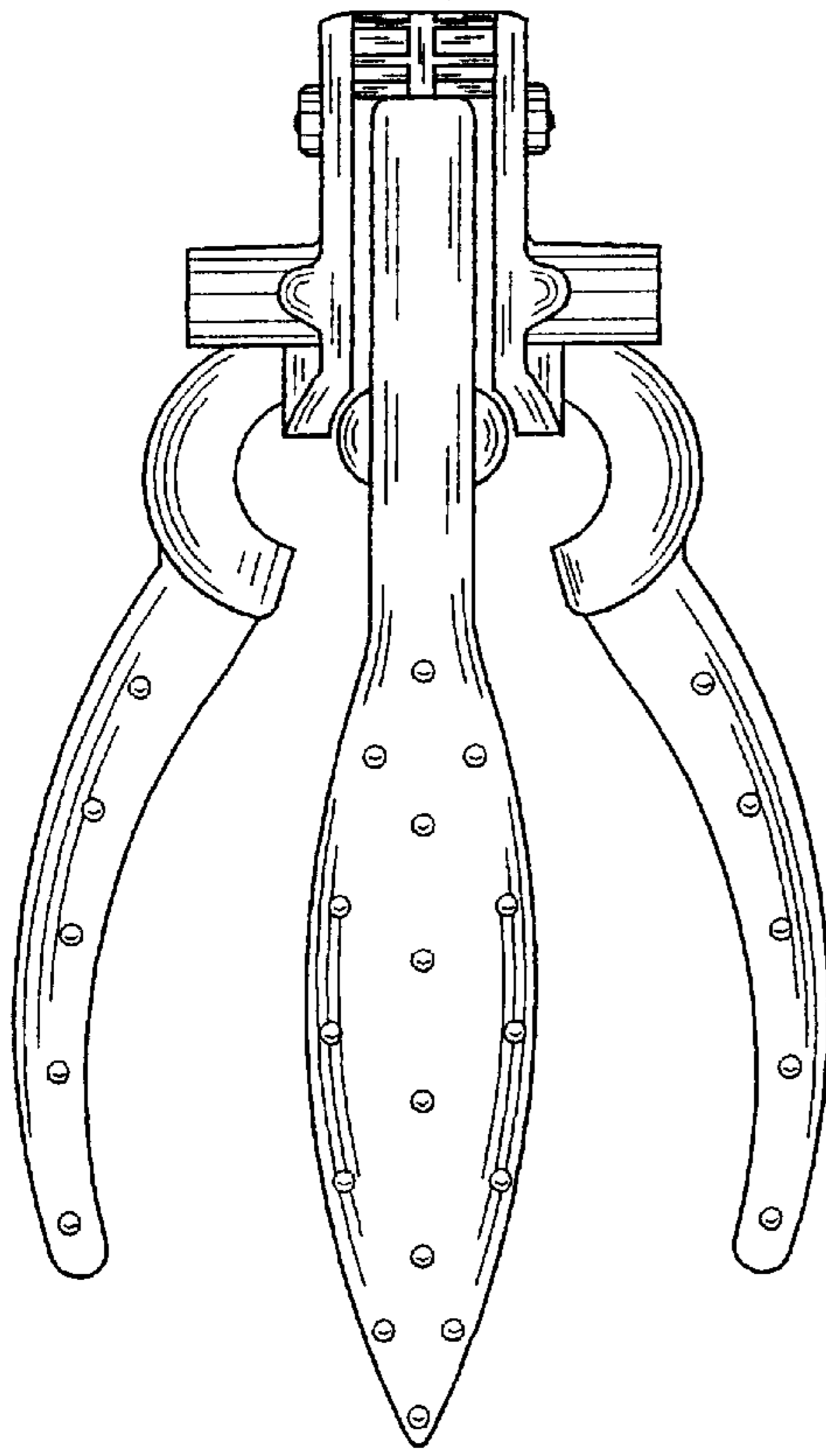


FIG. 7

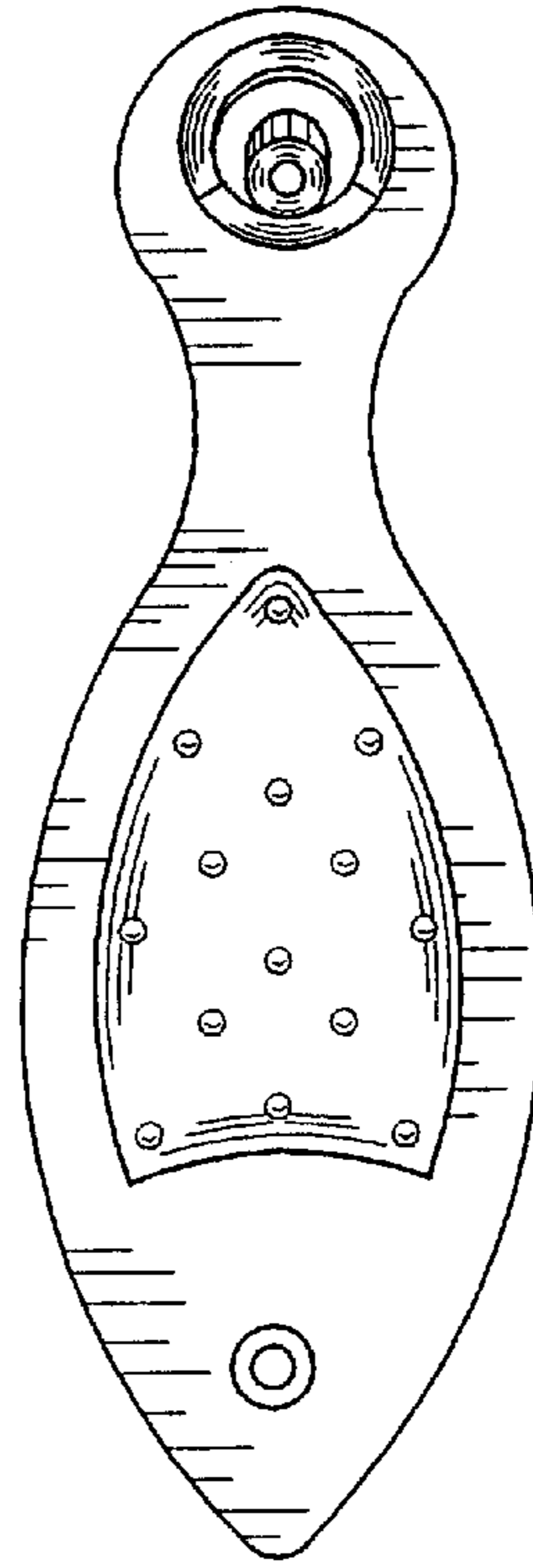


FIG. 8

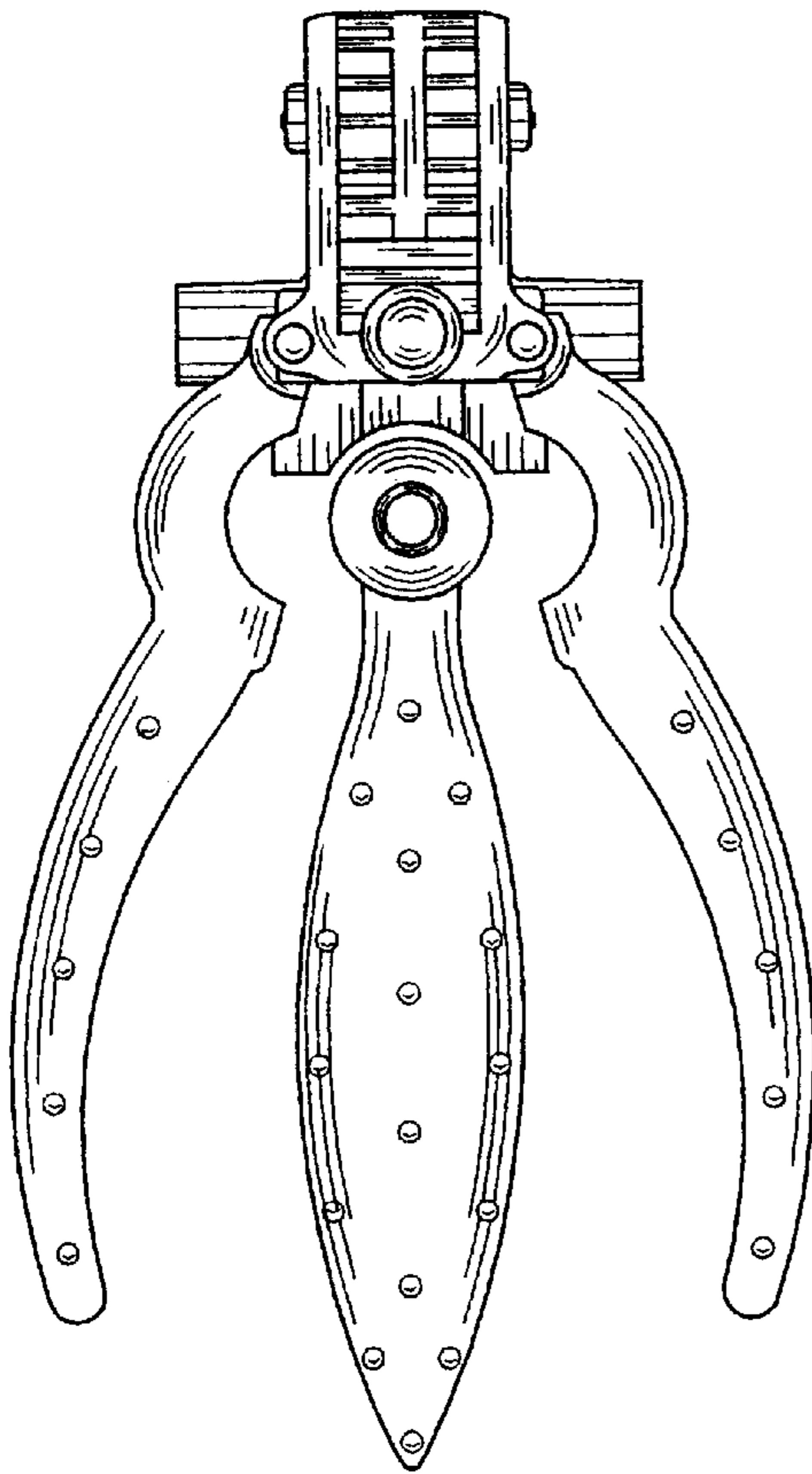


FIG. 9

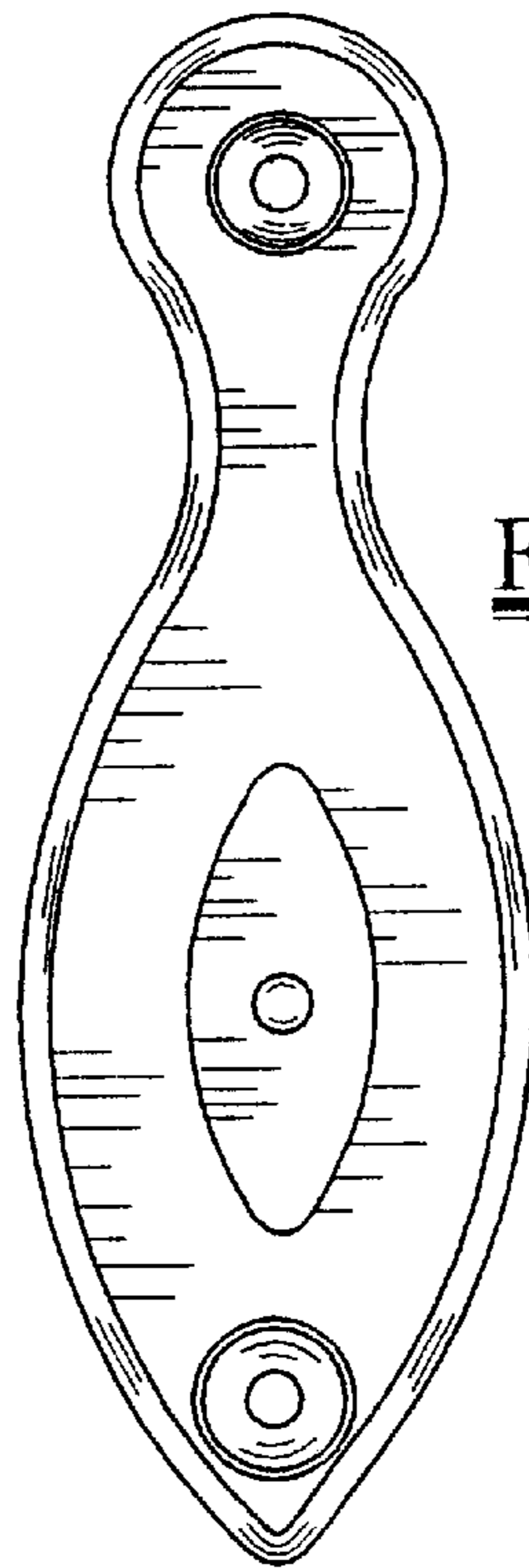


FIG. 10

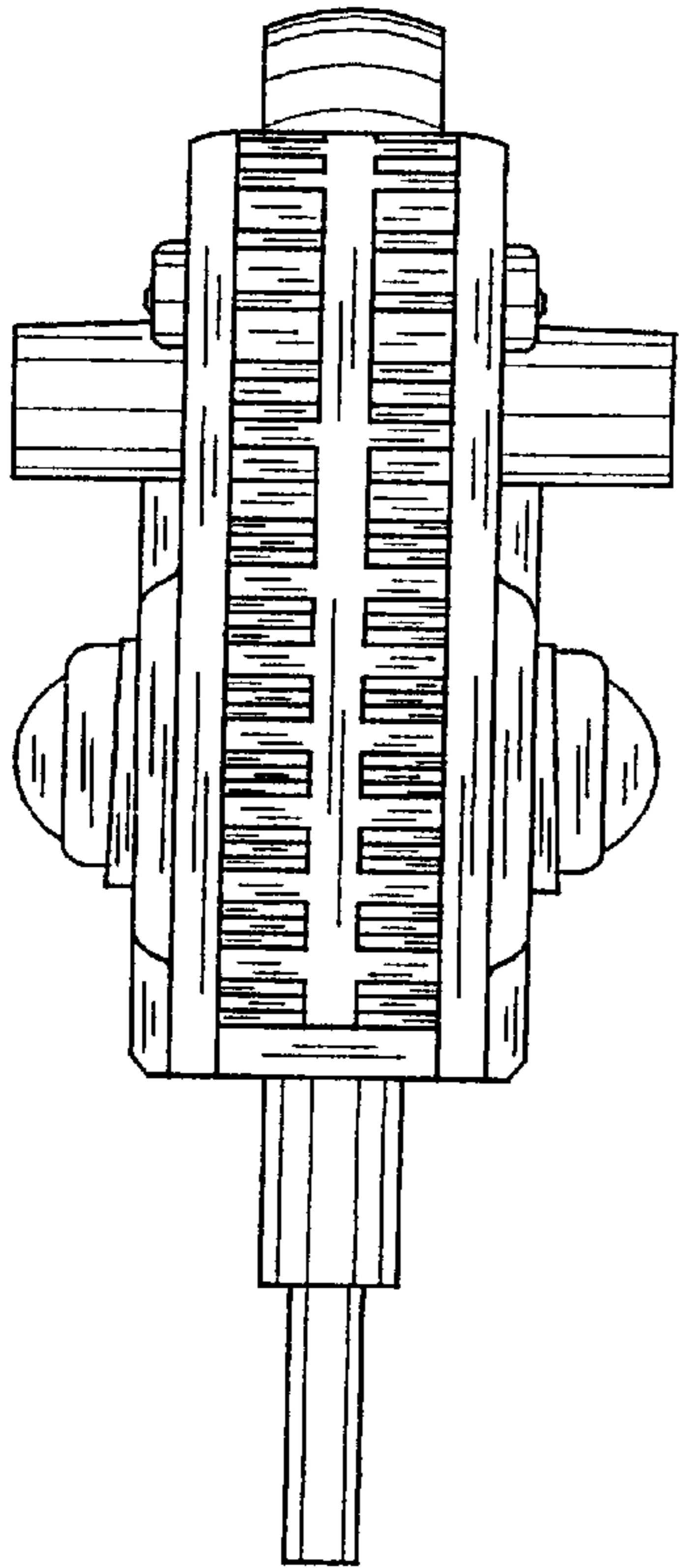


FIG. 11

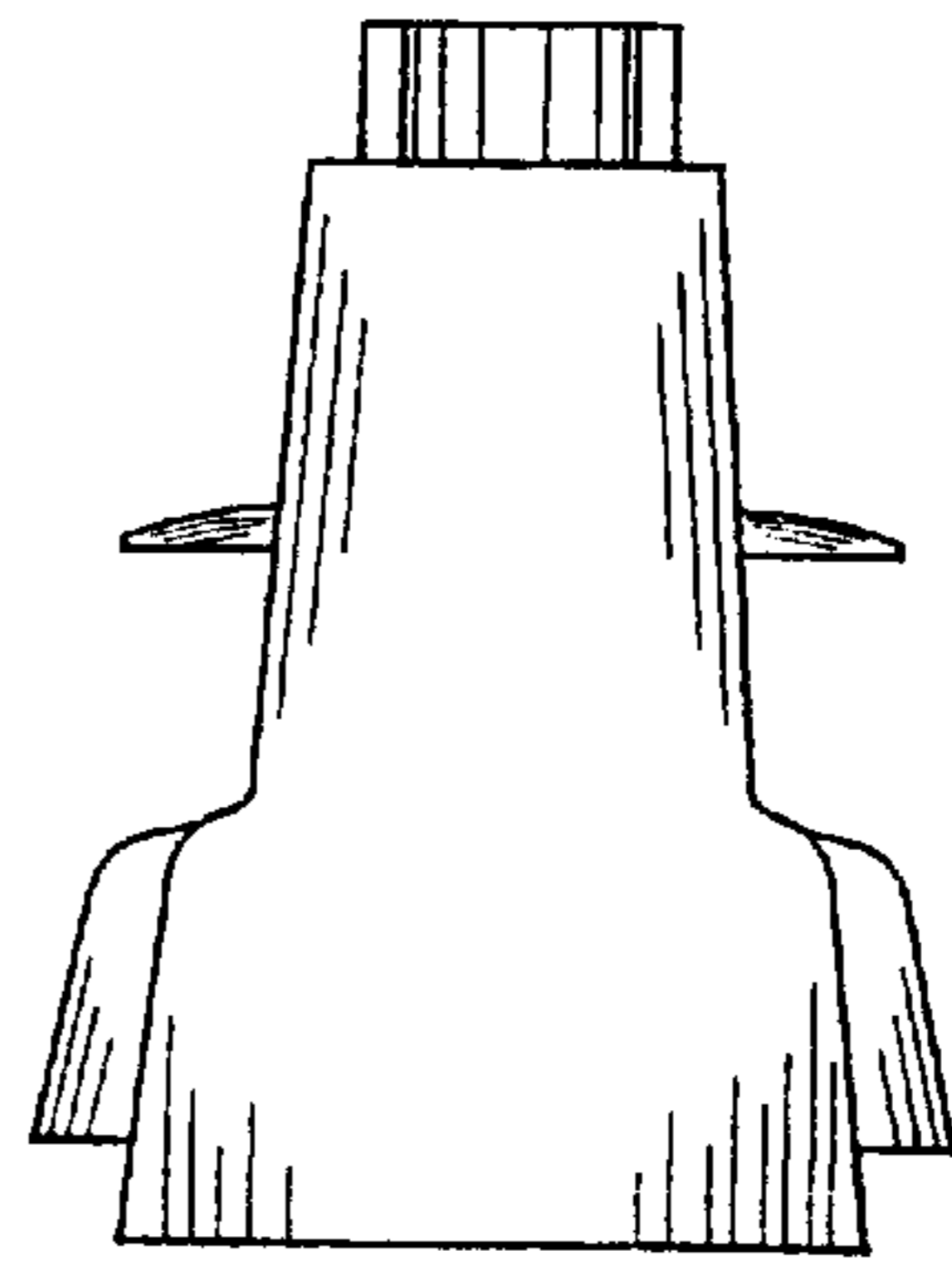


FIG. 12

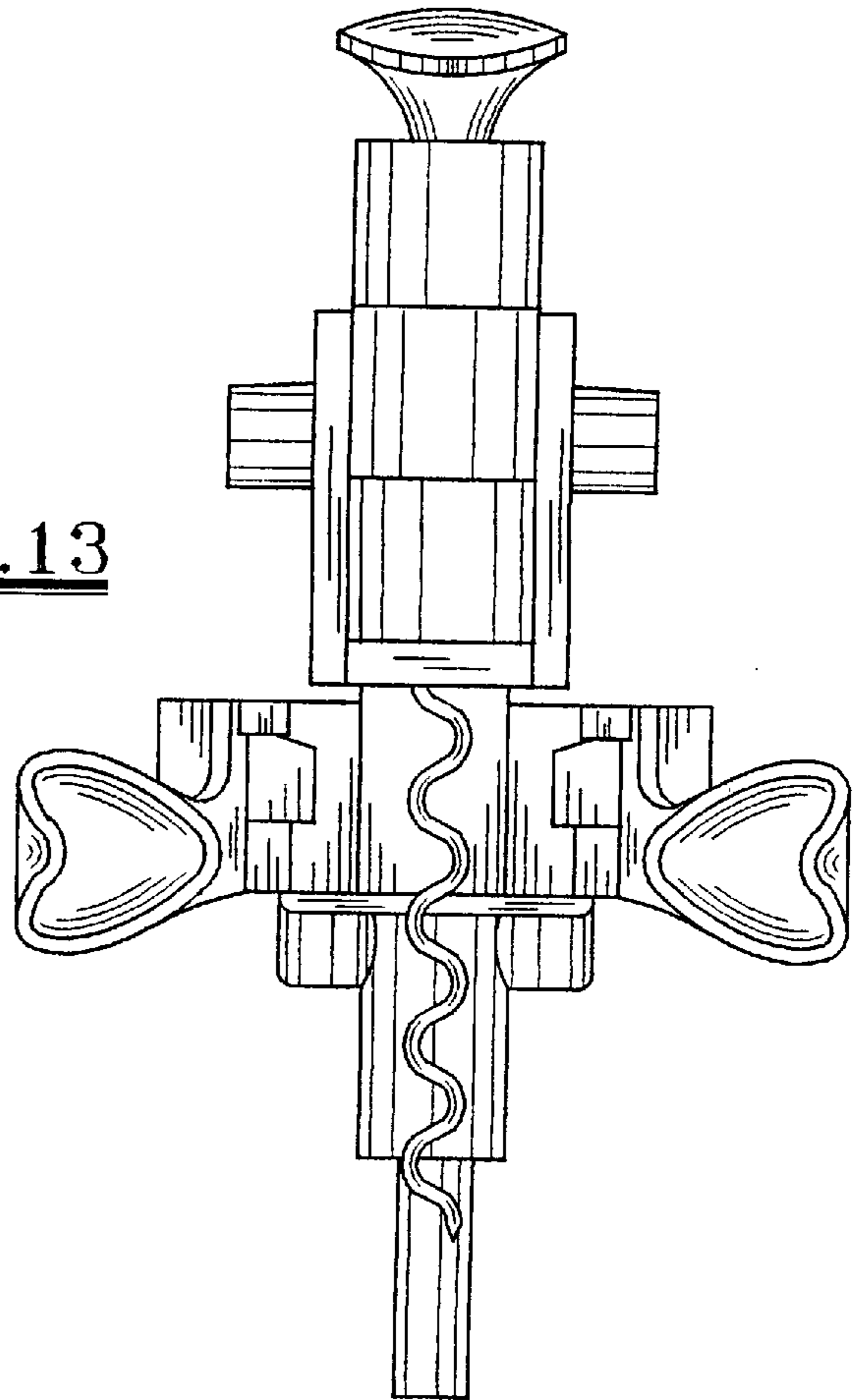


FIG. 13

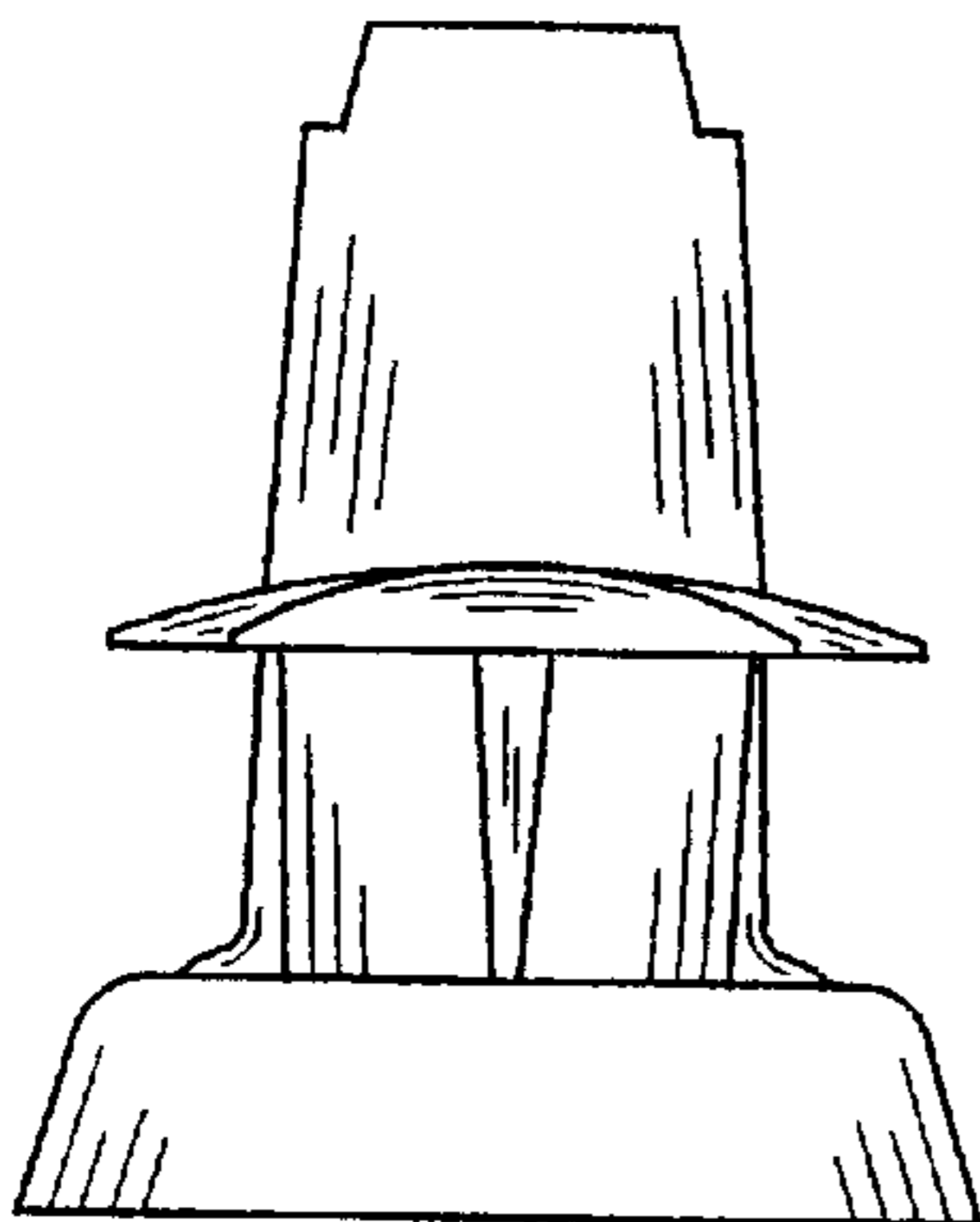


FIG. 14

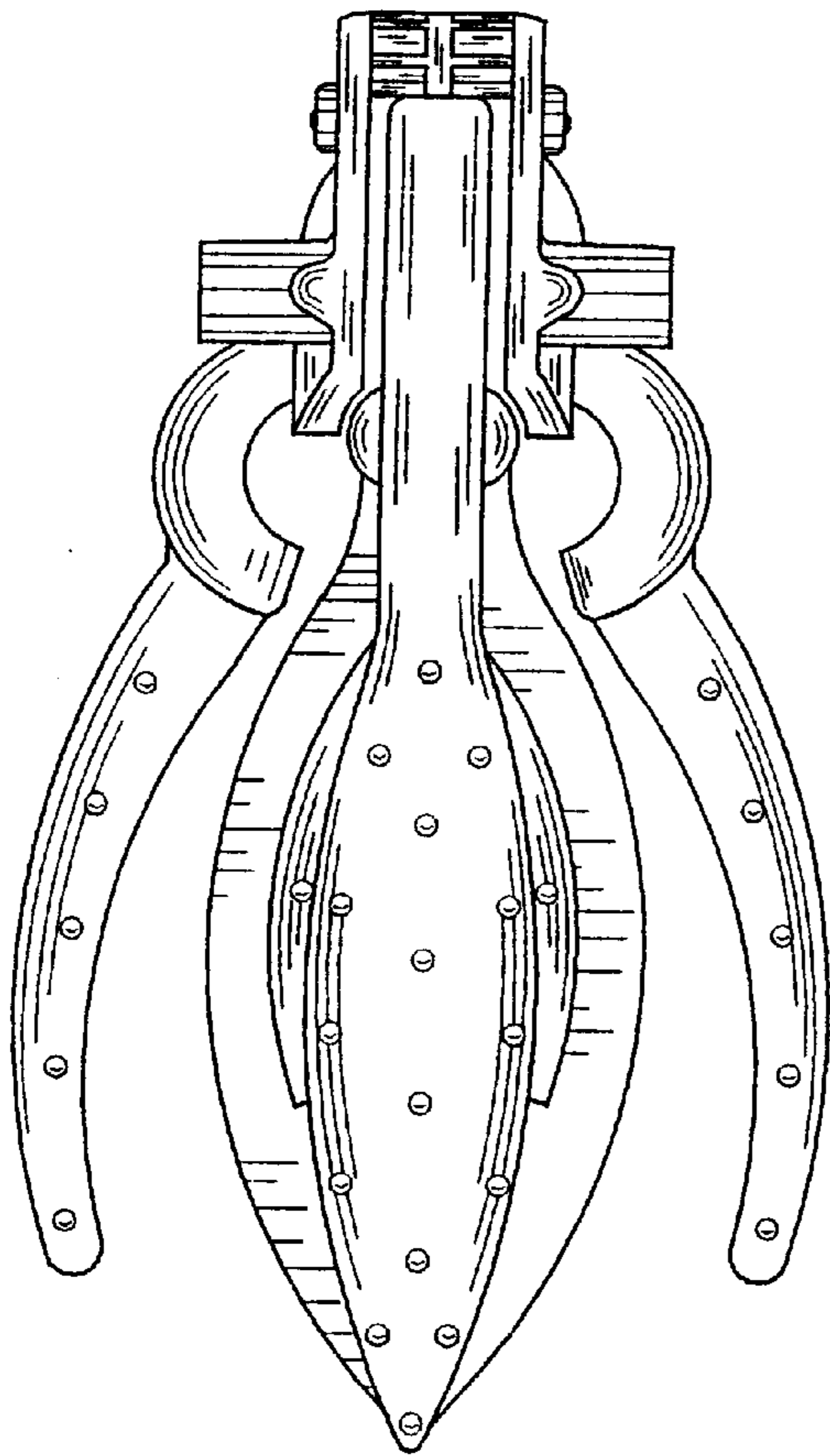


FIG. 15

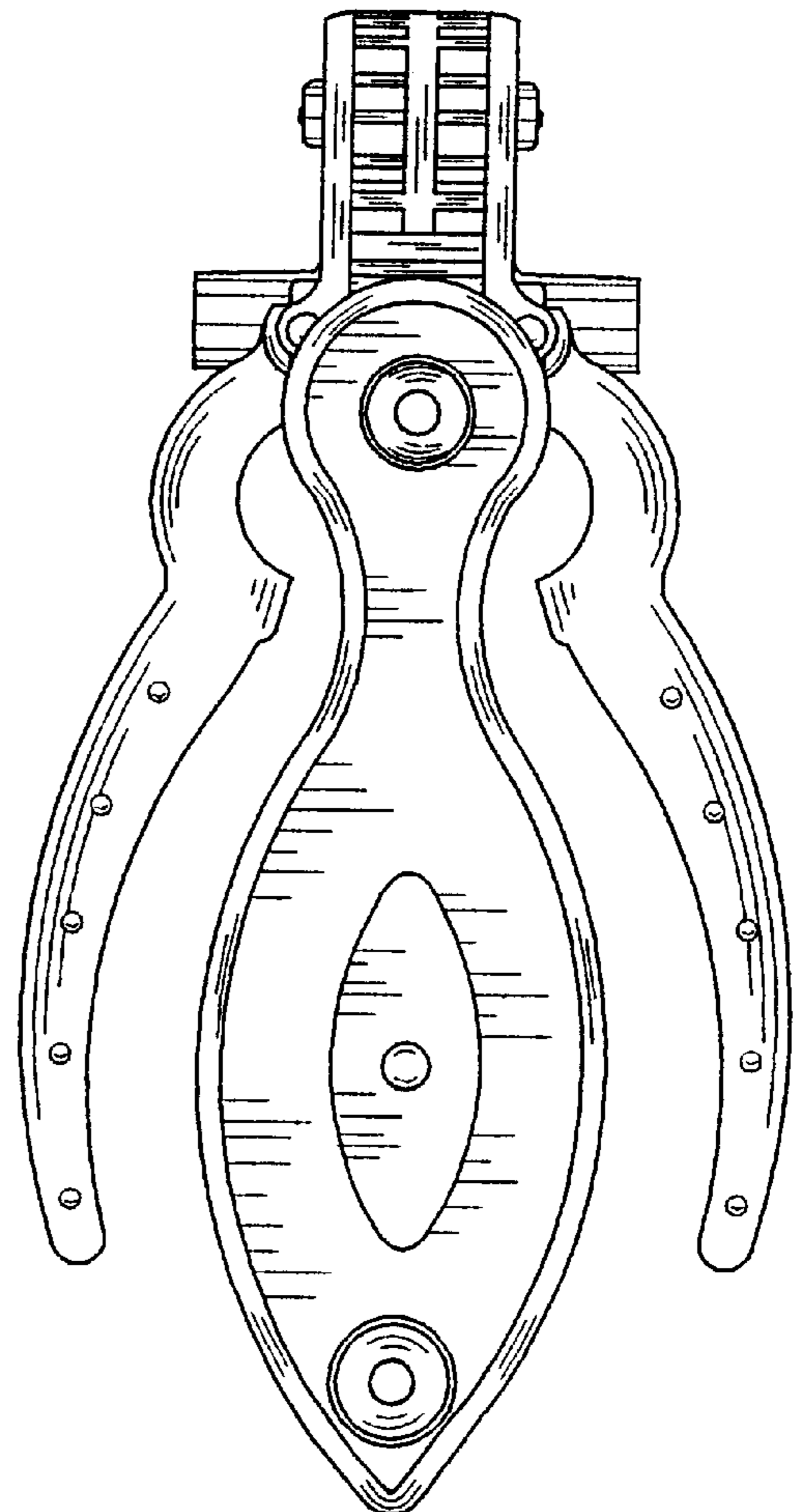


FIG. 16

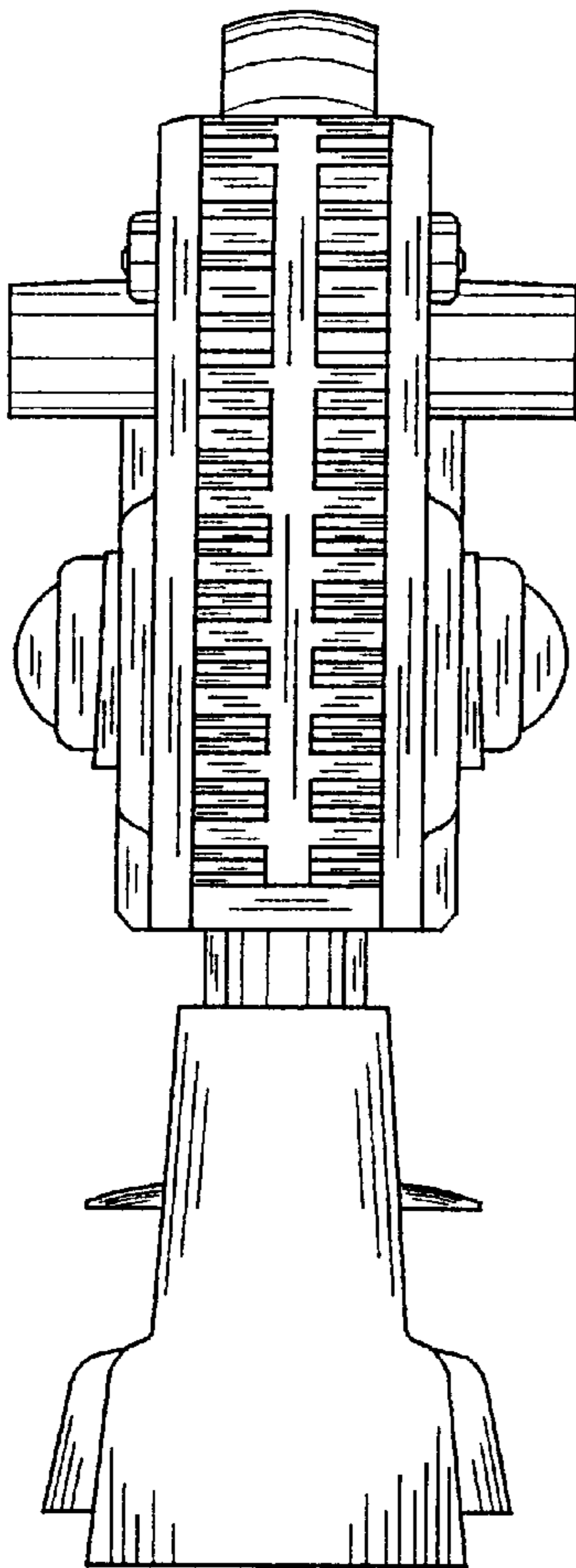


FIG. 17

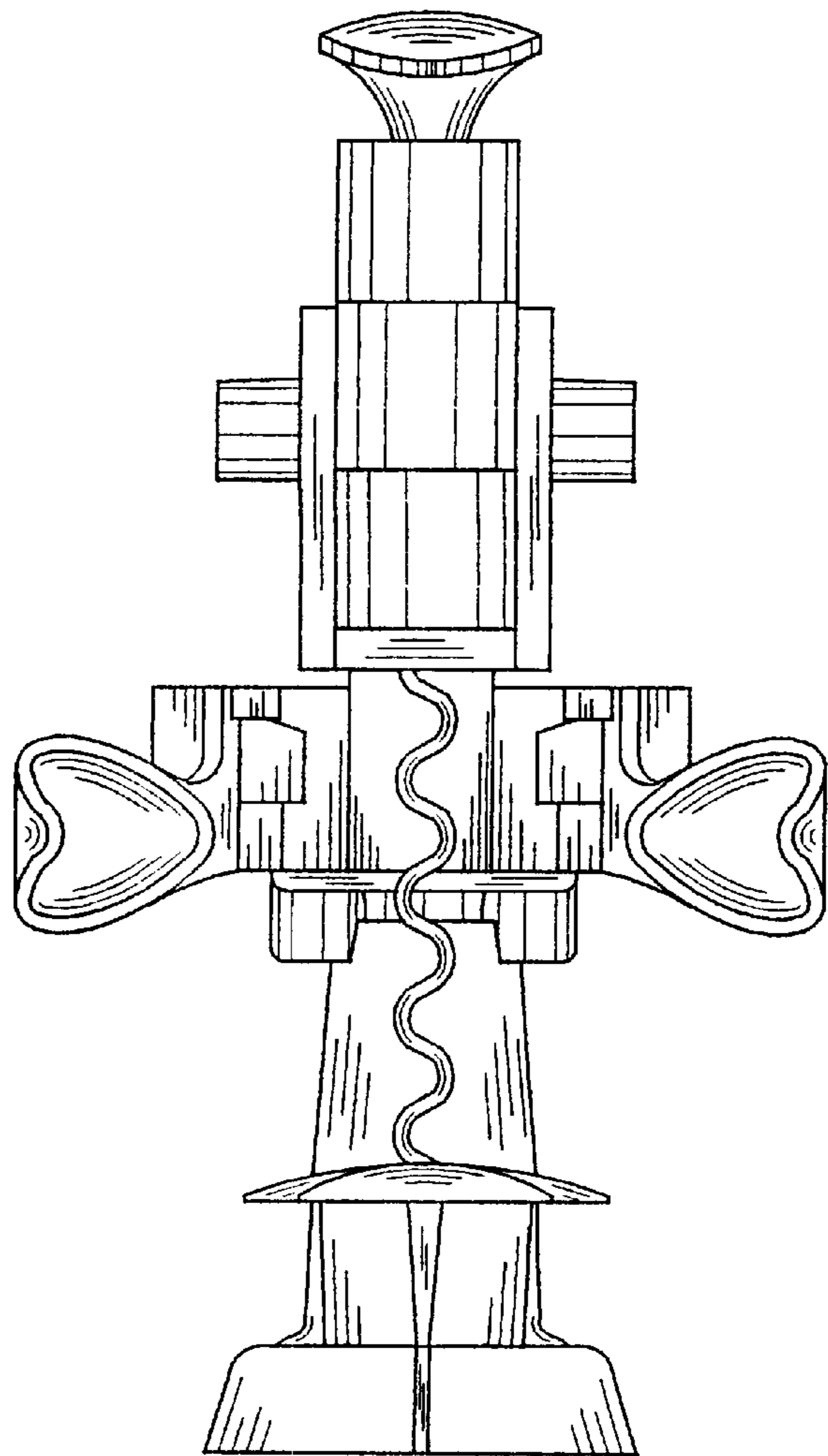


FIG. 18