



US00D408694S

United States Patent [19] Tisdale

[11] **Patent Number: Des. 408,694**

[45] **Date of Patent: **Apr. 27, 1999**

[54] **SPICE RACK**

5,025,936 6/1991 Lamoureaux 211/74
5,180,066 1/1993 McArdle 211/74

[75] Inventor: **David W. Tisdale**, Southport, Conn.

[73] Assignee: **M. Kamenstein, Inc.**, Elmsford, N.Y.

[**] Term: **14 Years**

Primary Examiner—Terry A. Wallace

Attorney, Agent, or Firm—Robert A. Koons, Jr.; James W. Bolcsak

[21] Appl. No.: **29/088,777**

[22] Filed: **Jun. 1, 1998**

[57] CLAIM

The ornamental design for a spice rack, as shown and described.

[51] **LOC (6) Cl.** **07-06**

[52] **U.S. Cl.** **D7/707**

[58] **Field of Search** D7/701, 707, 708,
D7/590, 600; 6/457, 466, 469; 211/13.1,
70.6, 71.01, 74, 77, 78, 163

DESCRIPTION

FIG. 1 is a perspective view of a spice rack showing my new design;

FIG. 2 is a front elevational view of the spice rack;

FIG. 3 is a rear elevational view of the spice rack;

FIG. 4 is a top plan view of the spice rack;

FIG. 5 is a right side elevational view of the spice rack;

FIG. 6 is a left side elevational view of the spice rack; and,

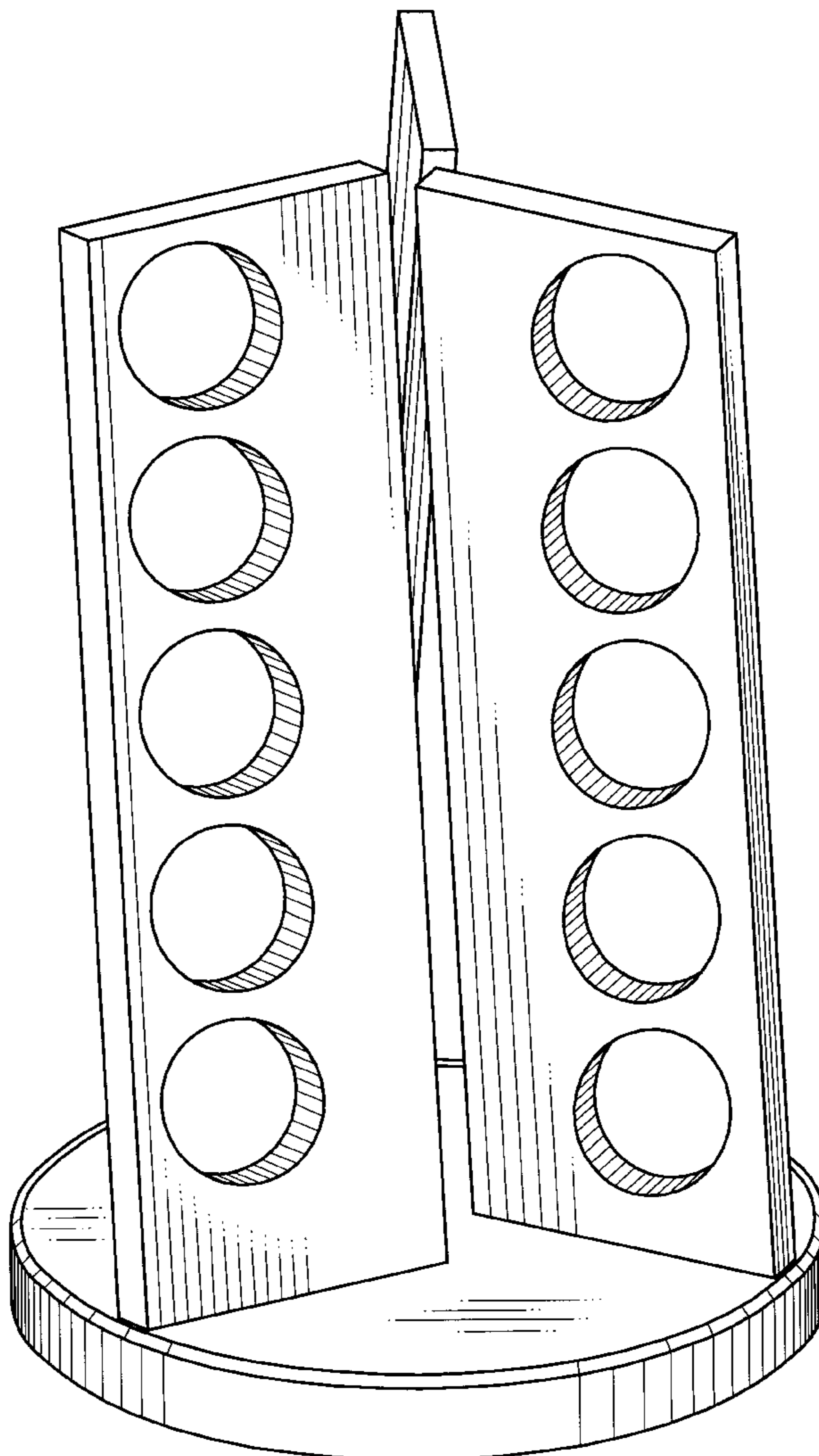
FIG. 7 is a bottom plan view of the spice rack.

[56] References Cited

U.S. PATENT DOCUMENTS

D. 303,899 10/1989 Ancona et al. D7/707
D. 331,166 11/1992 Ohadi D6/570
D. 334,510 4/1993 Ancona et al. D7/590

1 Claim, 7 Drawing Sheets



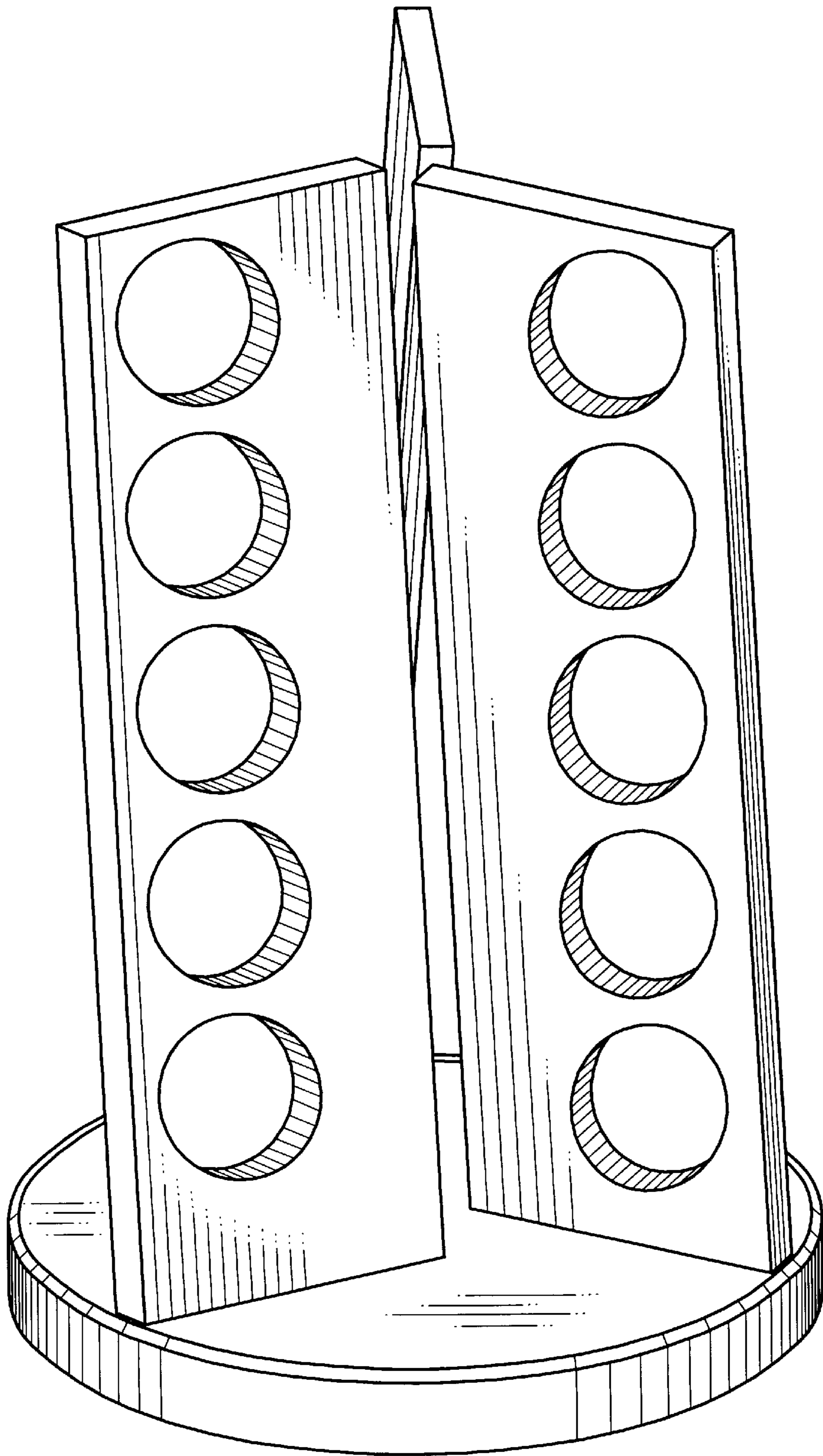


Fig. 1

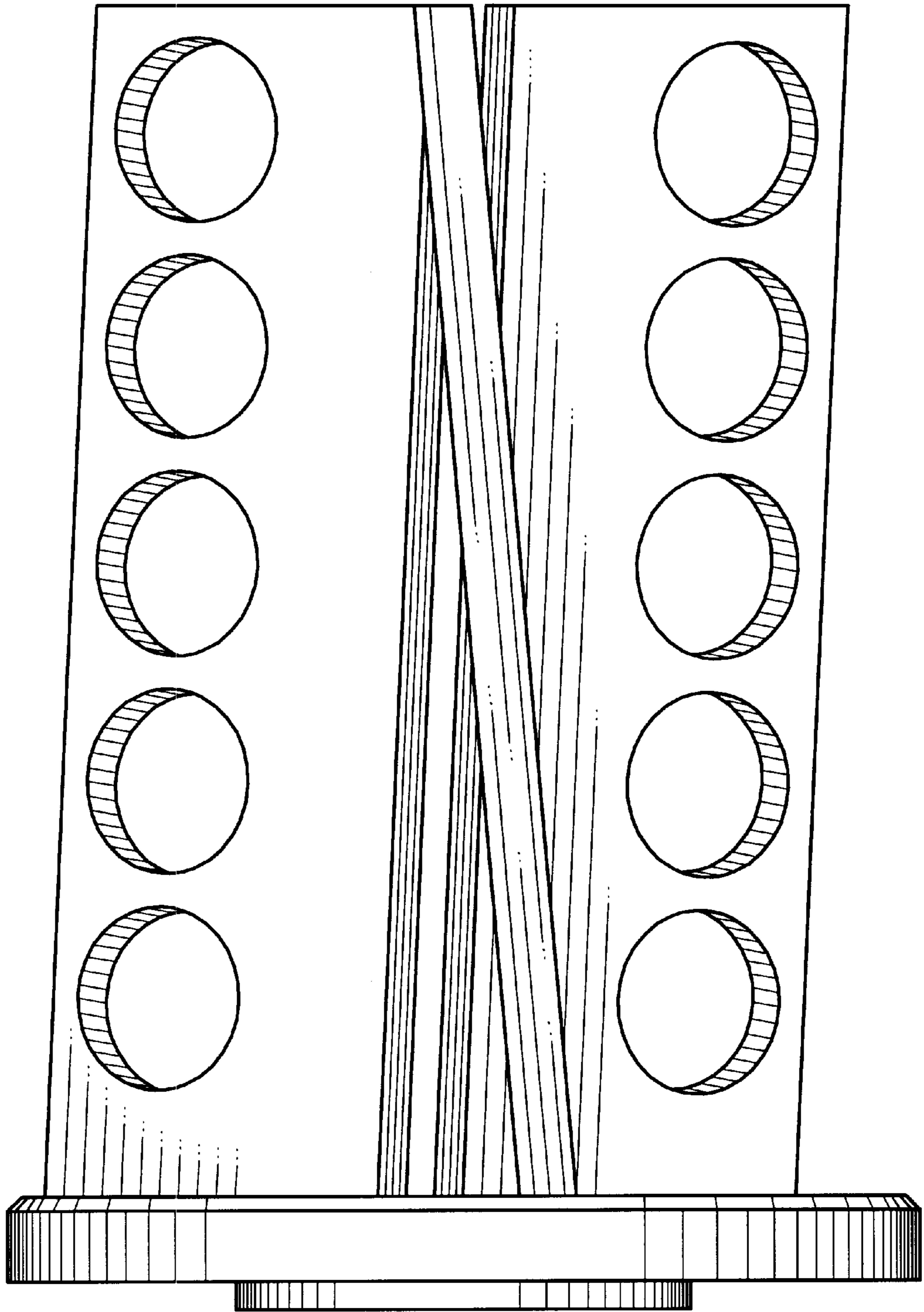


Fig. 2

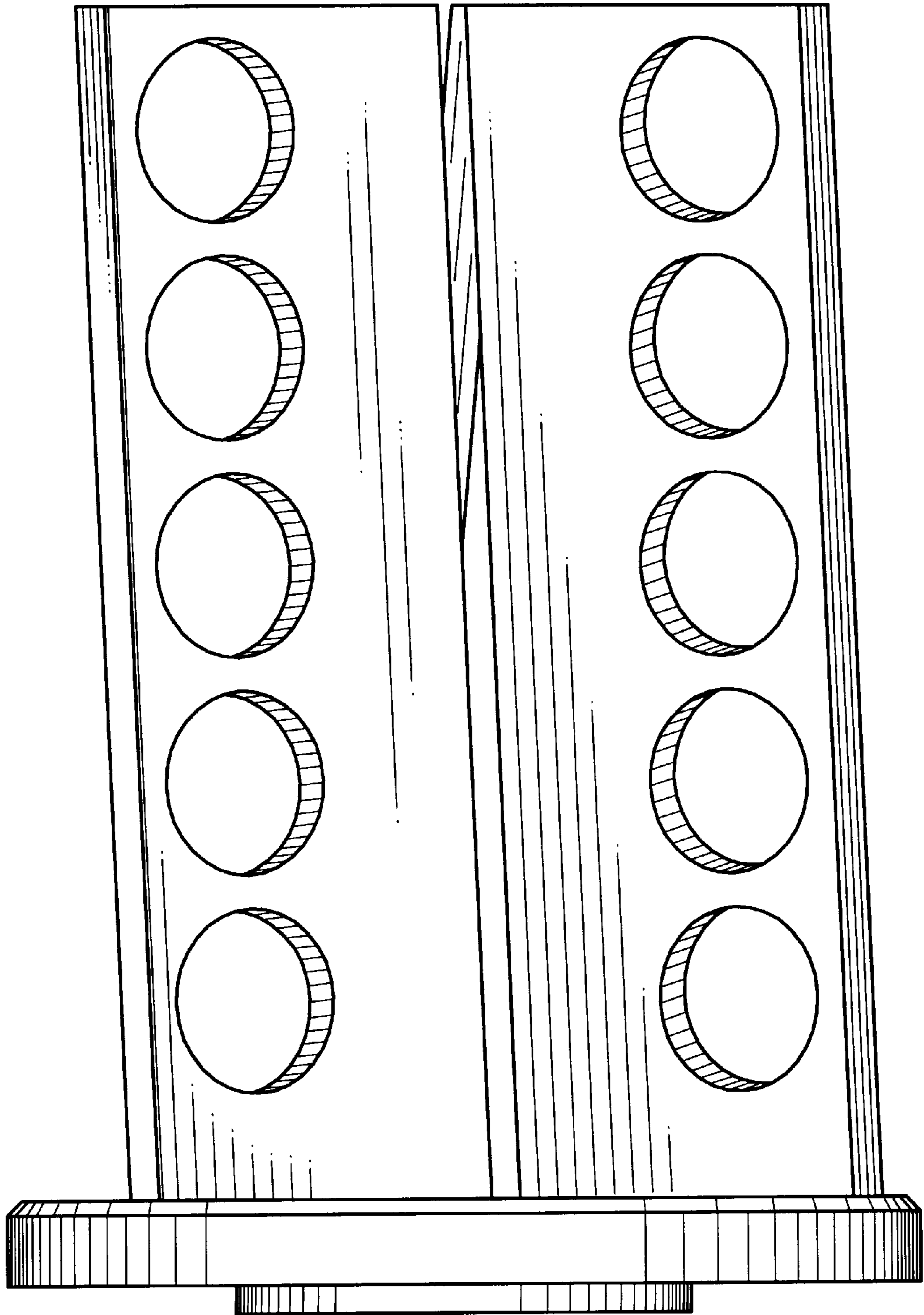


Fig. 3

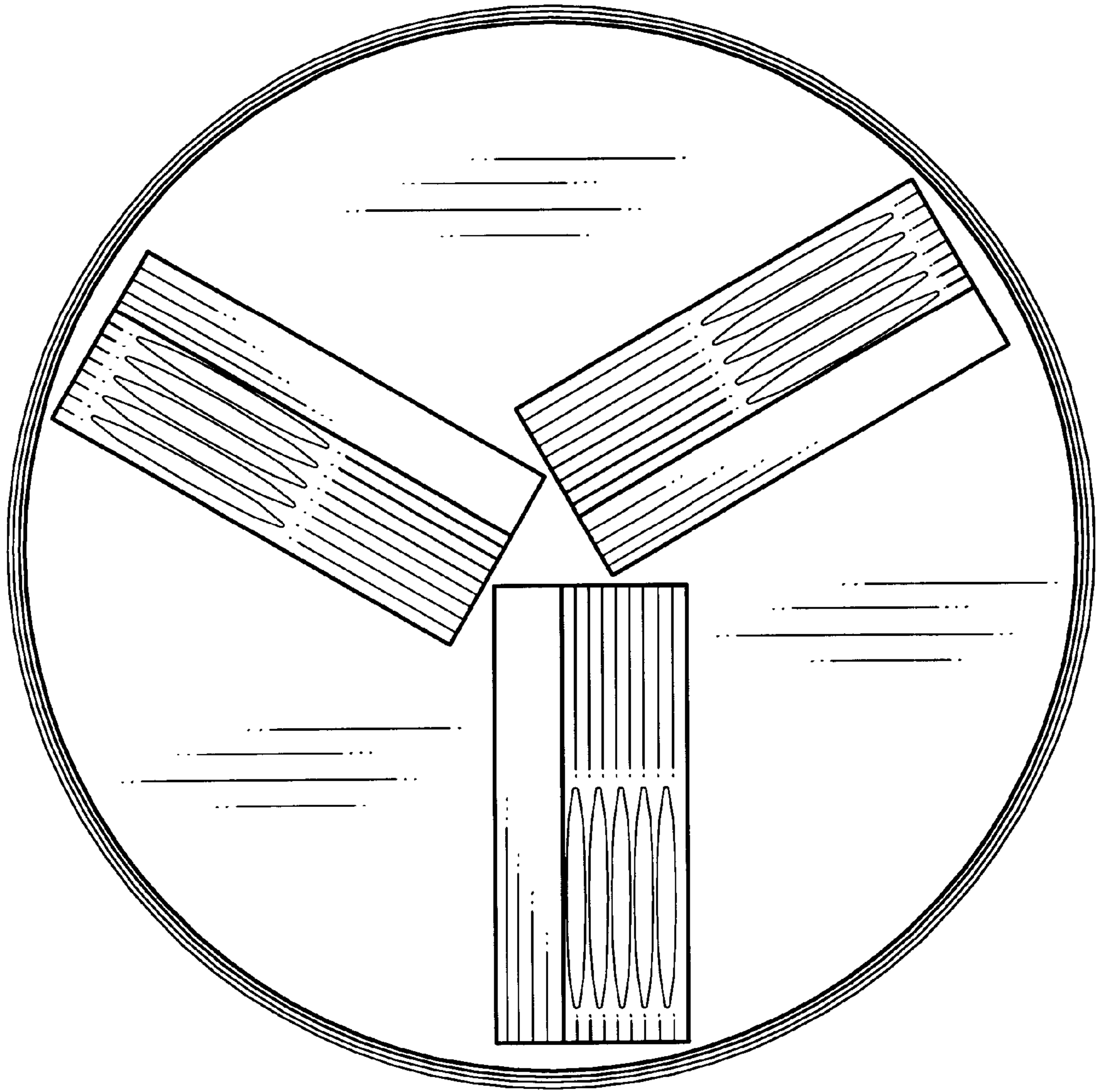


Fig. 4

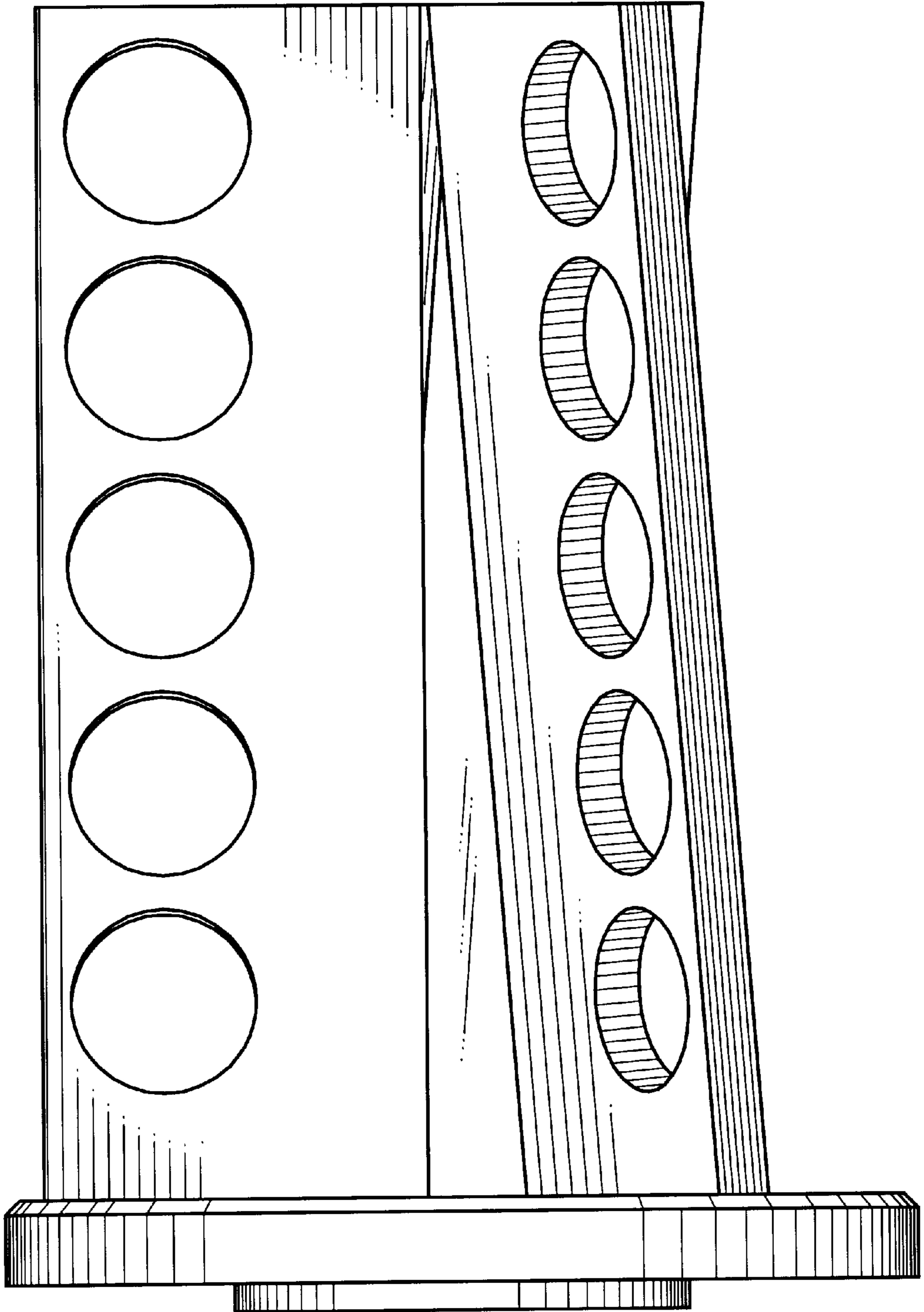


Fig. 5

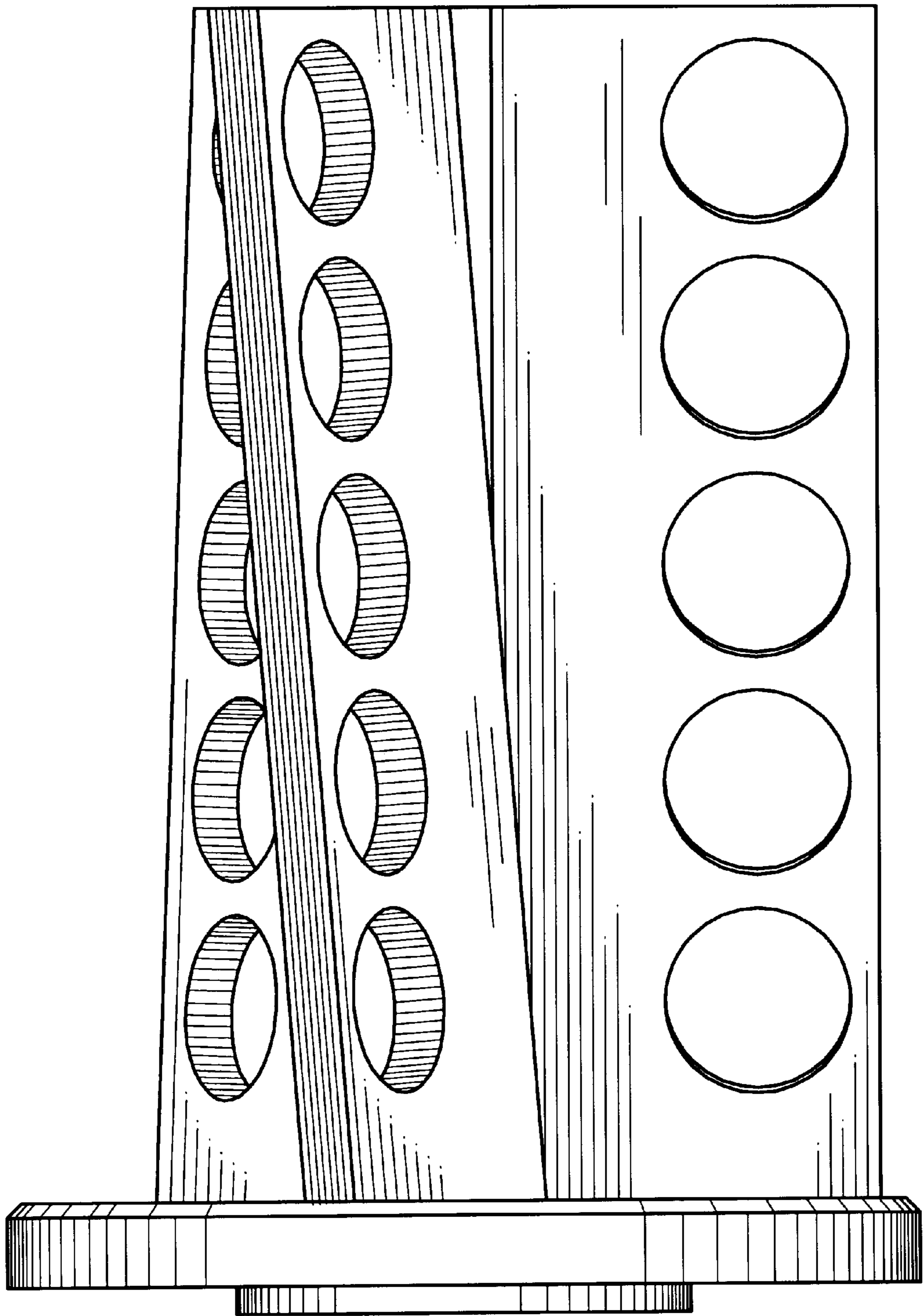


Fig. 6

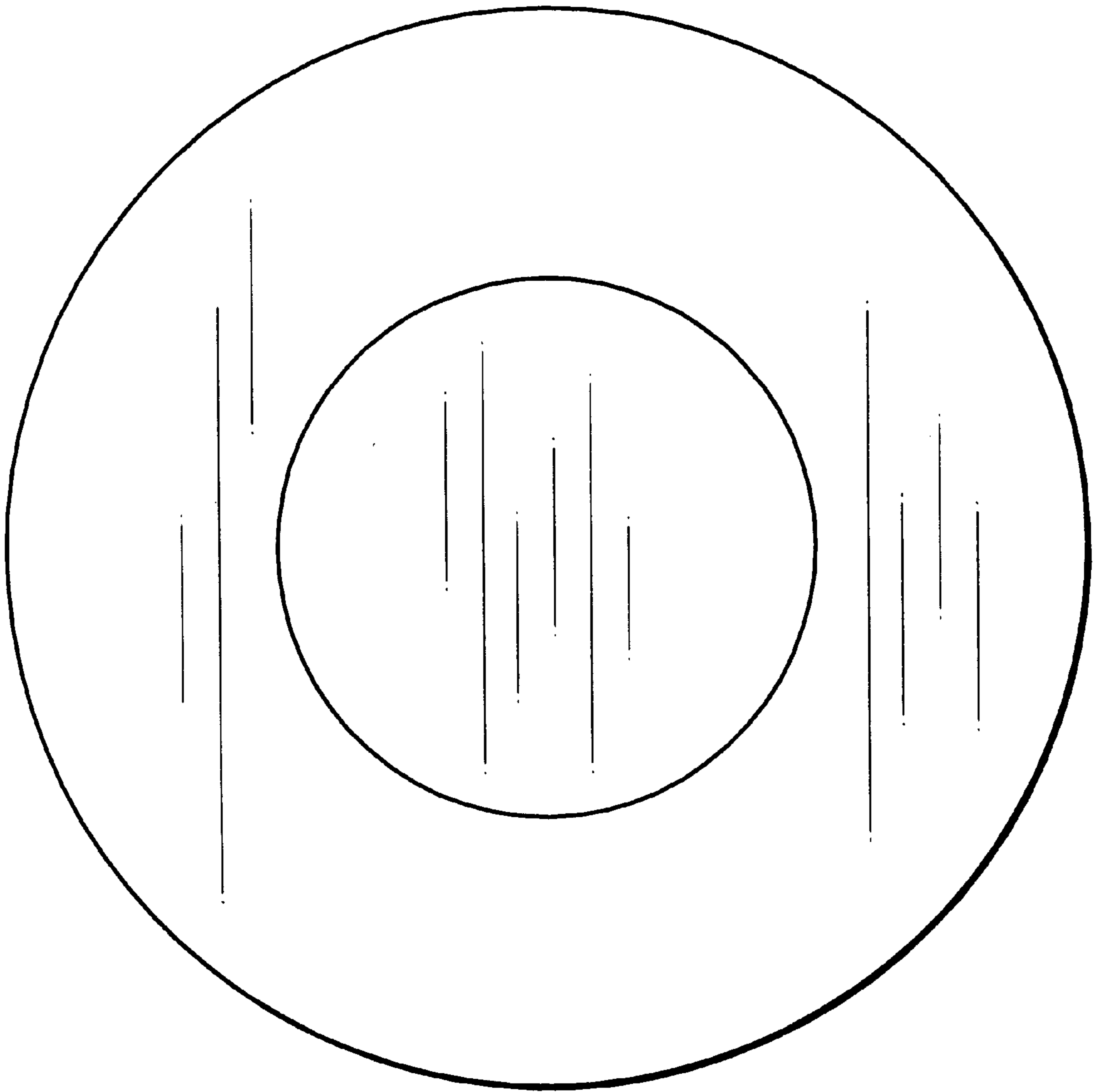


Fig. 7