



US00D408691S

United States Patent [19]
Tisdale

[11] **Patent Number: Des. 408,691**

[45] **Date of Patent: **Apr. 27, 1999**

[54] **COMBINED NAPKIN, SALT AND PEPPER CONTAINER HOLDER**

Attorney, Agent, or Firm—Robert A. Koons, Jr.; James W. Bolcsak

[75] Inventor: **David W. Tisdale**, Southport, Conn.

[57] **CLAIM**

[73] Assignee: **M. Kamenstein, Inc.**, Elmsford, N.Y.

The ornamental design for a combined napkin, salt and pepper container holder, as shown and described.

[**] Term: **14 Years**

DESCRIPTION

[21] Appl. No.: **29/088,148**

FIG. 1 is a perspective view of a combined napkin, salt and container holder showing my new design, with the broken lines showing matter for illustrative purposes only and forming no part of the claimed design;

[22] Filed: **May 15, 1998**

[51] **LOC (6) Cl.** **07-06**

[52] **U.S. Cl.** **D7/632; D7/590**

[58] **Field of Search** D7/590, 592, 631, D7/632, 701, 707, 708; 211/13.1, 41.1, 49.1, 50, 71.01

FIG. 2 is a front elevational view of the combined napkin, salt and pepper container holder;

FIG. 3 is a rear elevational view of the combined napkin, salt and pepper container holder;

[56] **References Cited**

U.S. PATENT DOCUMENTS

- D. 104,167 4/1937 Mackelfresh, Jr. .
- D. 164,892 10/1951 Baker .
- D. 165,744 1/1952 Fishman .
- D. 208,031 7/1967 Lauczi D7/590
- D. 324,155 2/1992 Hyman D7/632
- D. 396,171 7/1998 Conway D7/590
- 5,295,590 3/1994 Feer 211/50

FIG. 4 is a left side elevational view of the combined napkin, salt and pepper container holder, with the right side elevational view being a mirror image thereof, and with the broken lines showing matter for illustrative purposes only and forming no part of the claimed design;

FIG. 5 is a top plan view of the combined napkin, salt and pepper container holder; and,

FIG. 6 is a bottom plan view of the combined napkin, salt and pepper container holder.

FIGS. 2–6 are shown on a reduced scale.

Primary Examiner—Terry A. Wallace

1 Claim, 2 Drawing Sheets

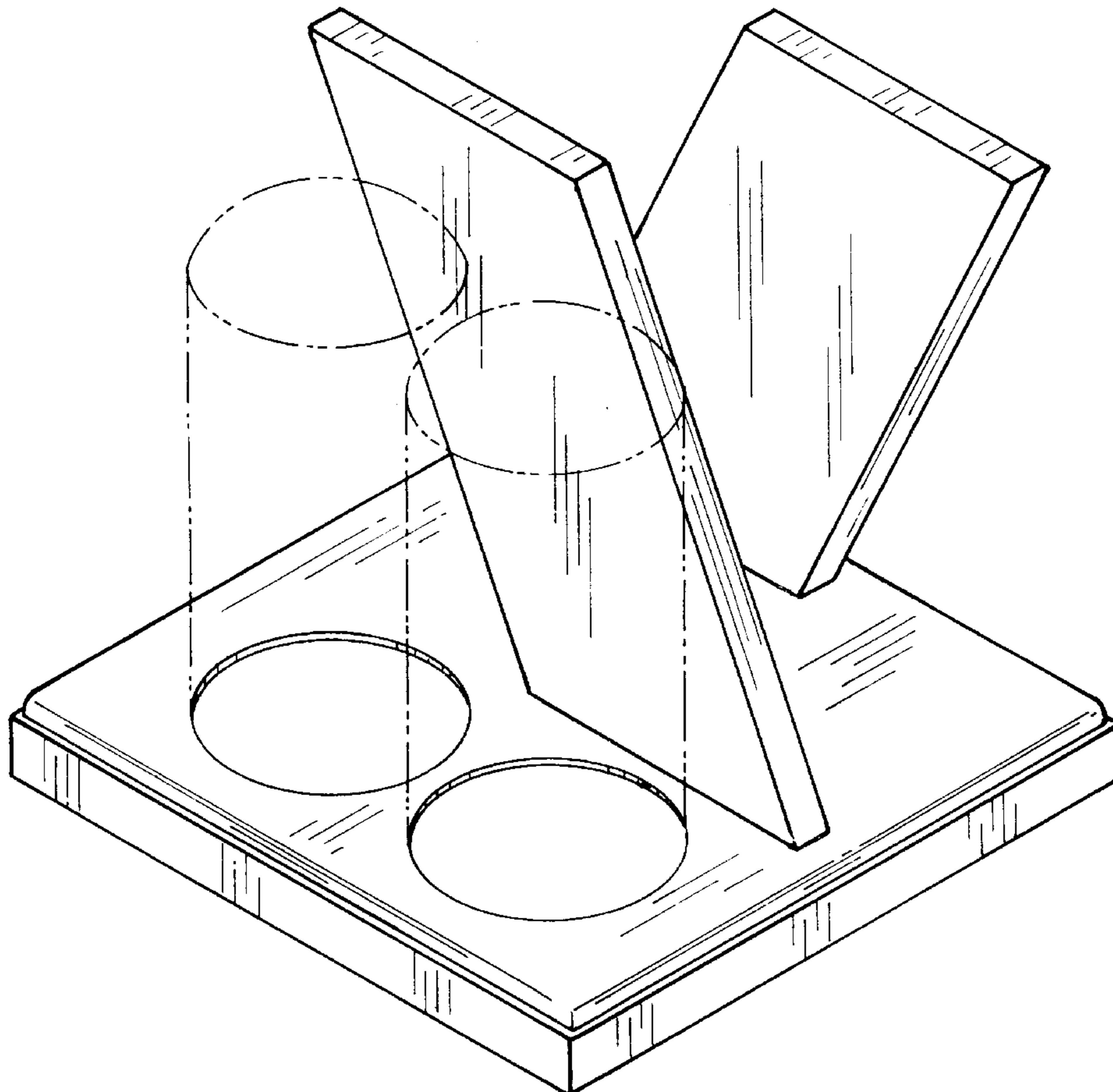


Fig. 1

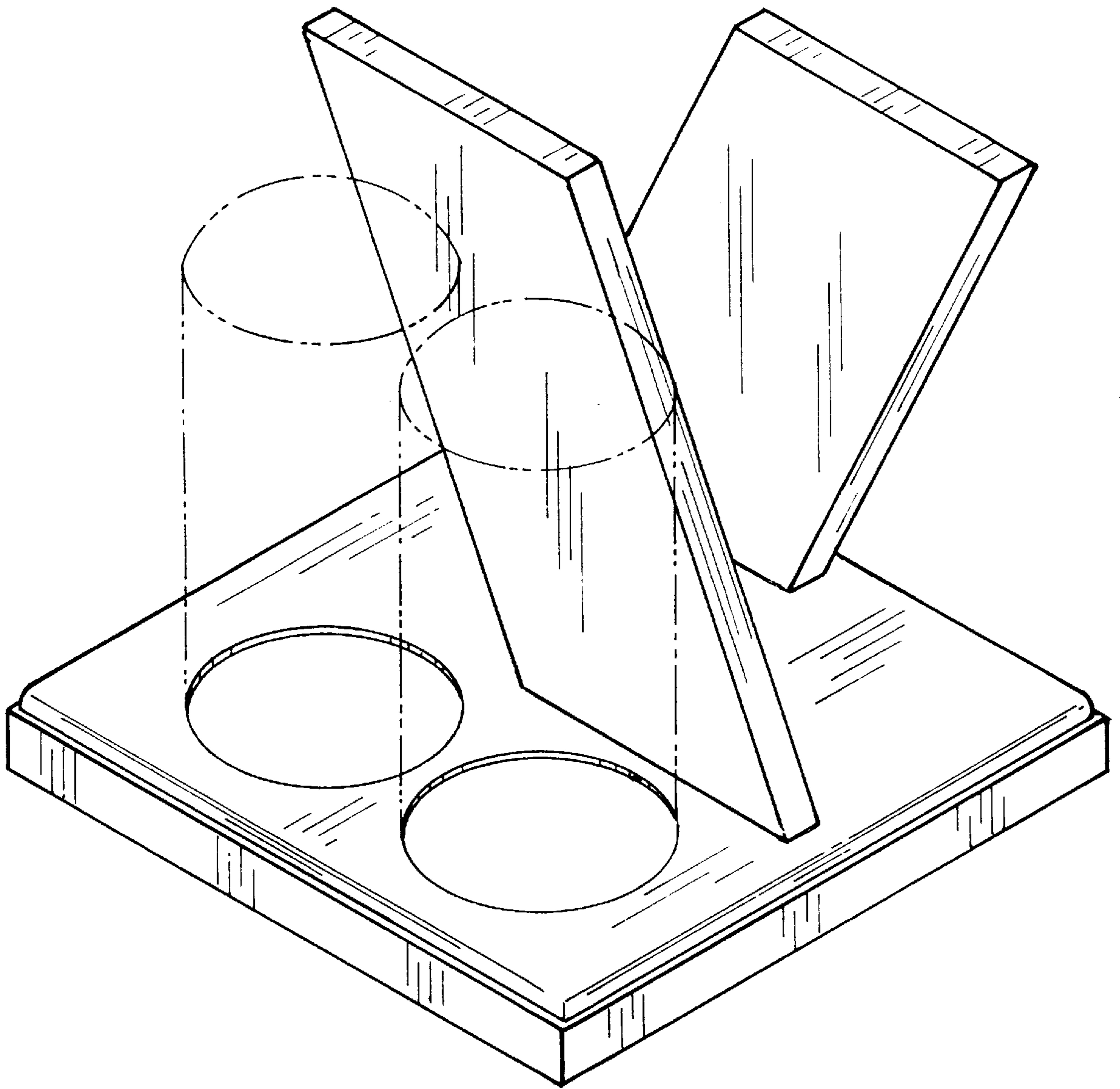


Fig. 5

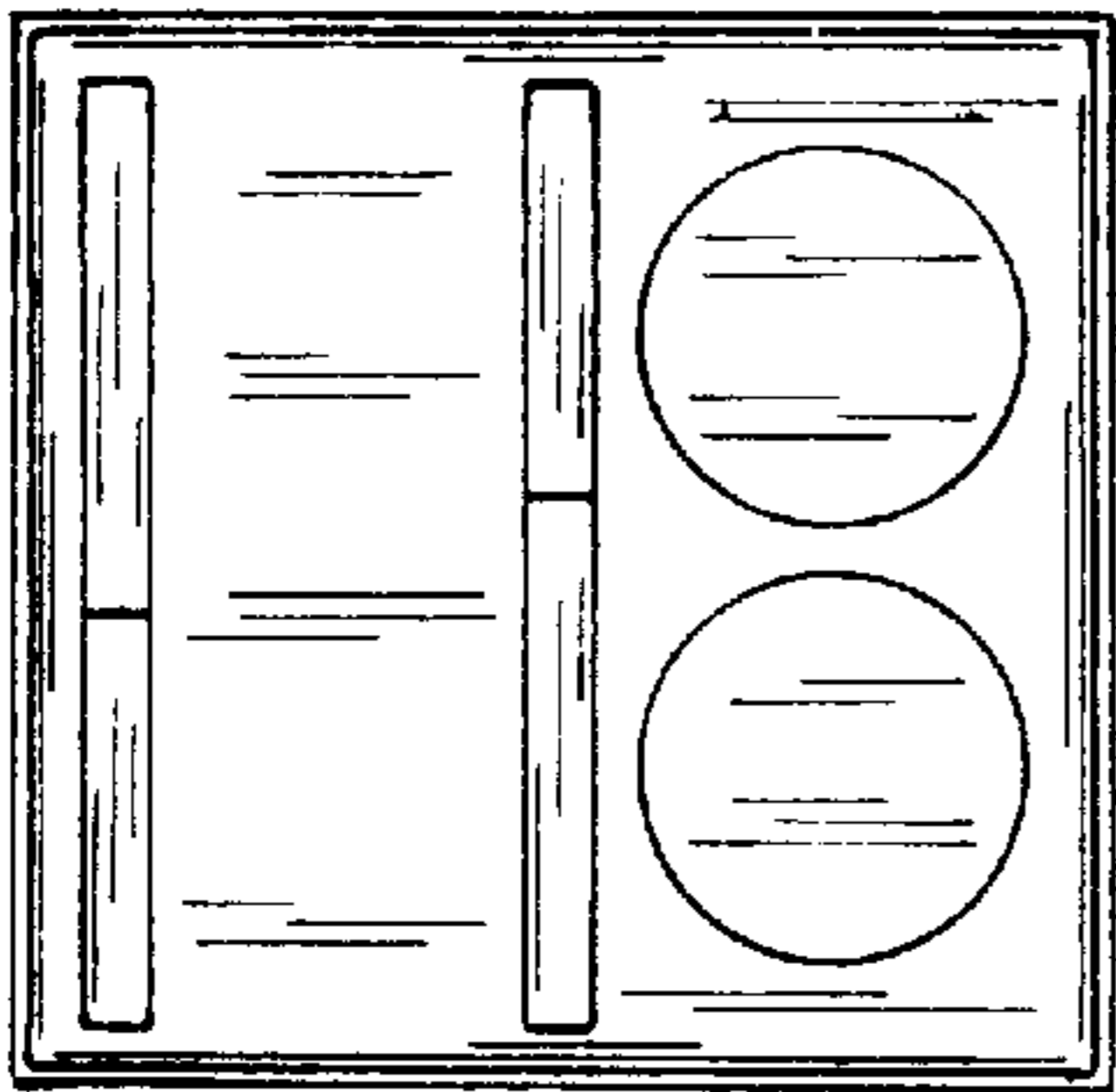


Fig. 2

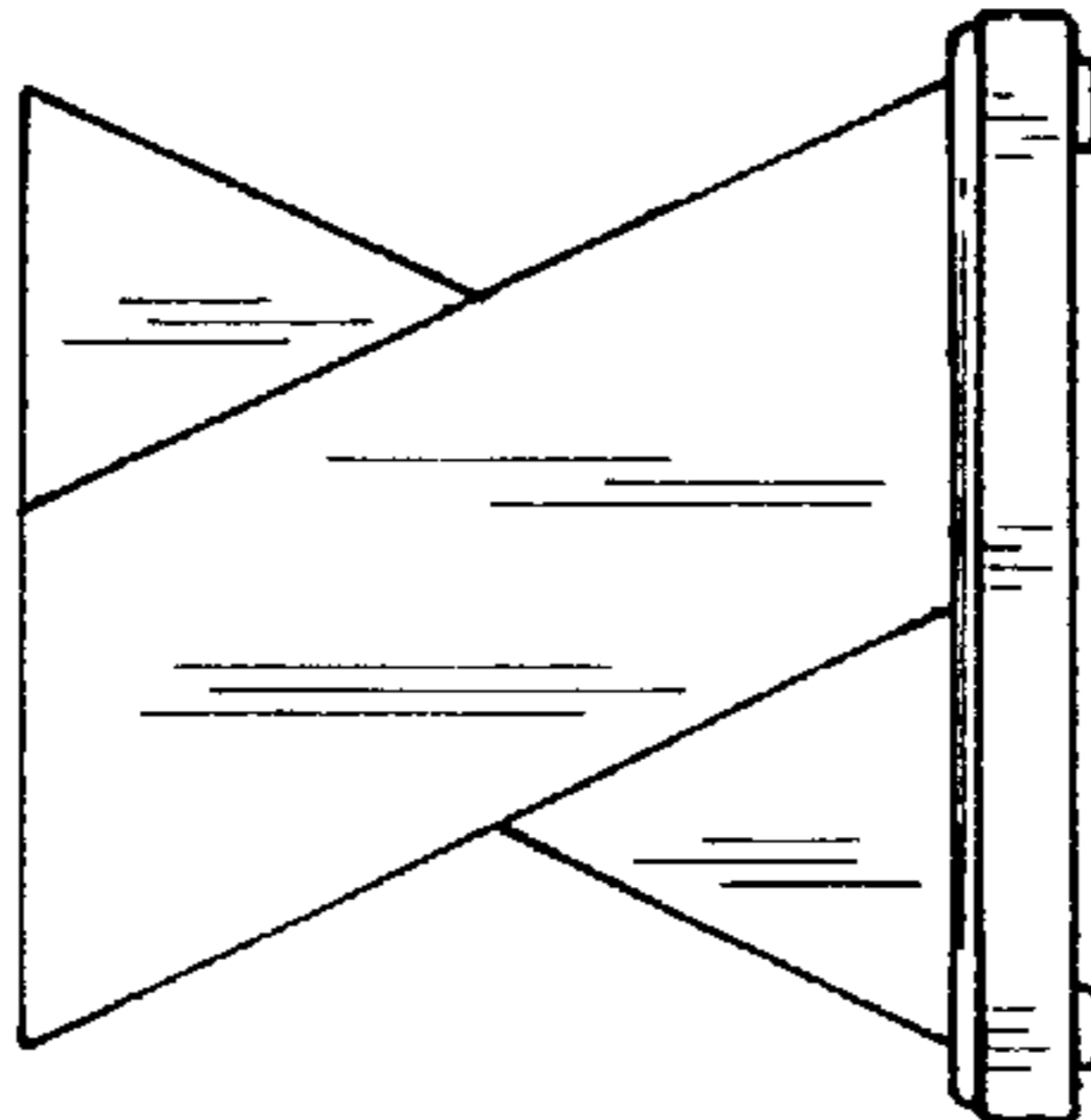


Fig. 4

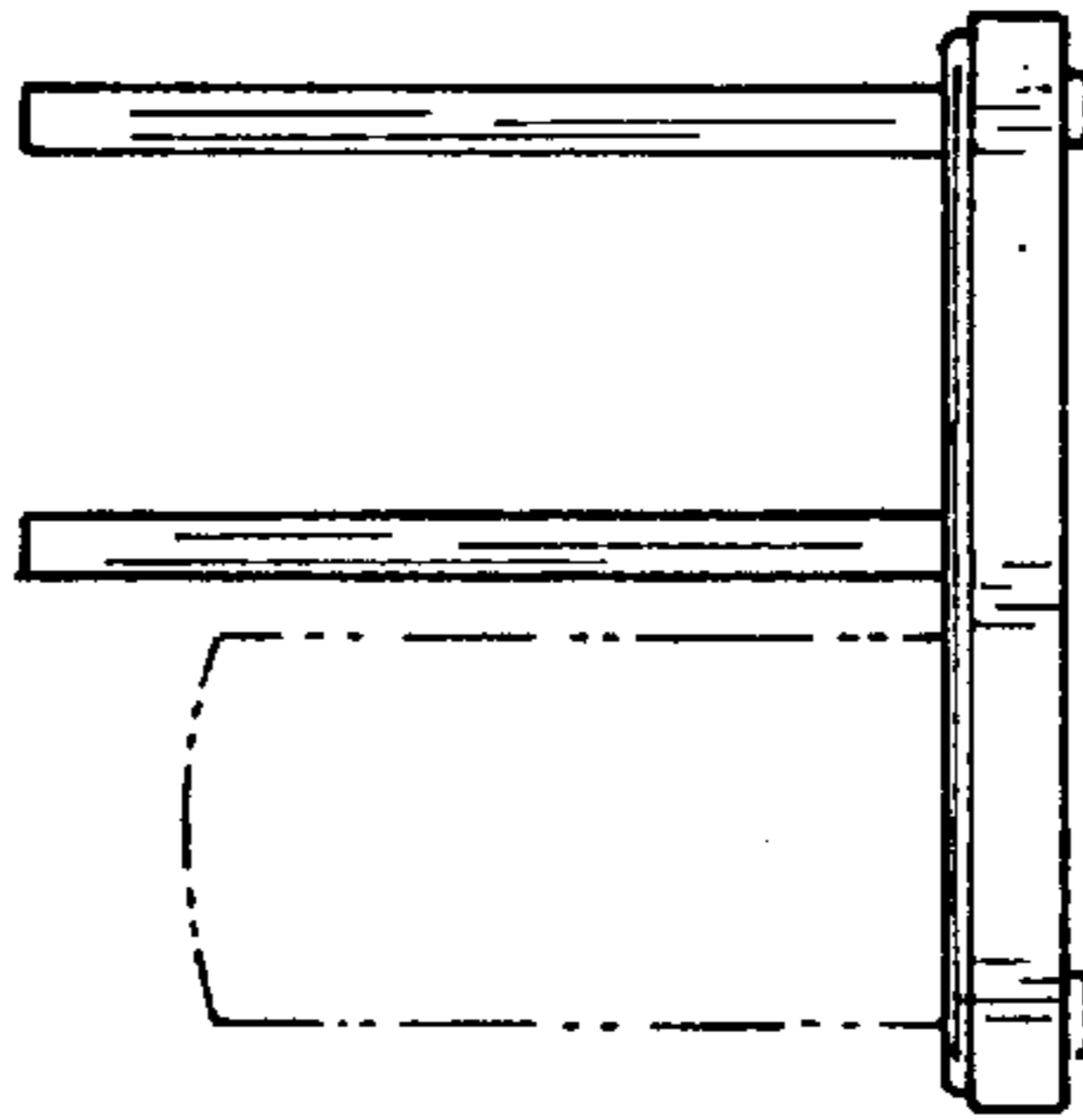


Fig. 3

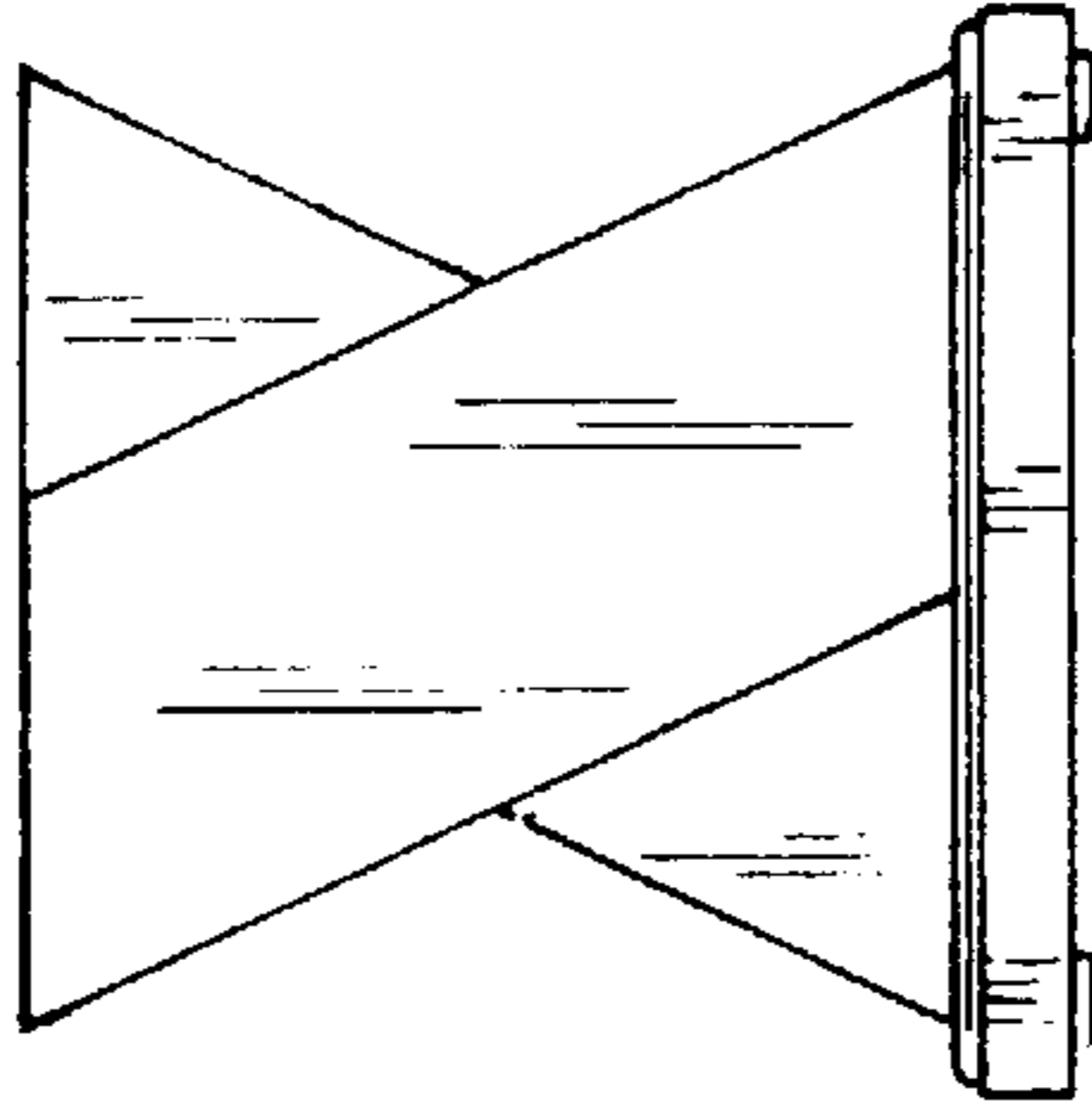


Fig. 6

