



US00D408690S

United States Patent [19] Lin

[11] Patent Number: **Des. 408,690**

[45] Date of Patent: **** Apr. 27, 1999**

[54] **SUPPORT DEVICE FOR A WATER CONTAINER**

2,925,979	2/1960	Walker	248/146
3,150,852	9/1964	Larkin	248/141
3,201,074	8/1965	Stearns	248/141

[76] Inventor: **Andrew Lin**, No. 252, She-Pi Road, Feng Yuan City, Taichung Hsien, Taiwan

Primary Examiner—Terry A. Wallace
Attorney, Agent, or Firm—Charles E. Baxley, Esq.

[**] Term: **14 Years**

[57] **CLAIM**

[21] Appl. No.: **29/088,160**

The unique design for a support device for a water container, as shown and described.

[22] Filed: **May 15, 1998**

DESCRIPTION

[51] **LOC (6) Cl.** **07-06**

[52] **U.S. Cl.** **D7/621**

[58] **Field of Search** D7/619, 621; 248/138, 248/141, 146, 311.2; 211/74, 75

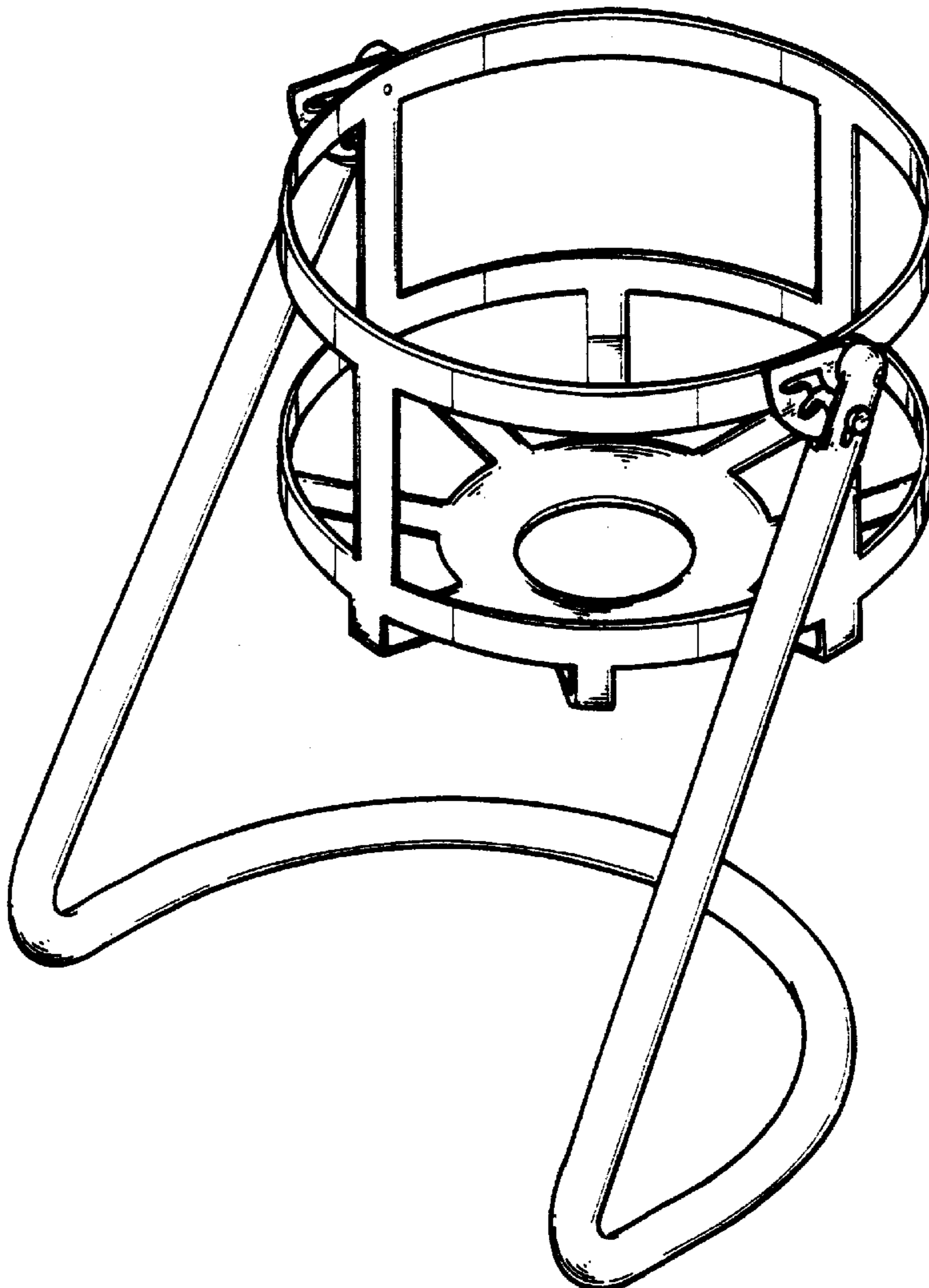
FIG. 1 is a front elevational view of a support device for a water container showing my new design; FIG. 2 is a rear elevational view thereof; FIG. 3 is a right elevational view thereof; the left elevational being identical in appearance. FIG. 4 is a top plan view thereof; FIG. 5 is a bottom plan view thereof; and, FIG. 6 is a perspective view thereof.

[56] **References Cited**

U.S. PATENT DOCUMENTS

D. 256,649	9/1980	Zerwin	D7/621
2,745,616	5/1956	Gomes	248/138

1 Claim, 6 Drawing Sheets



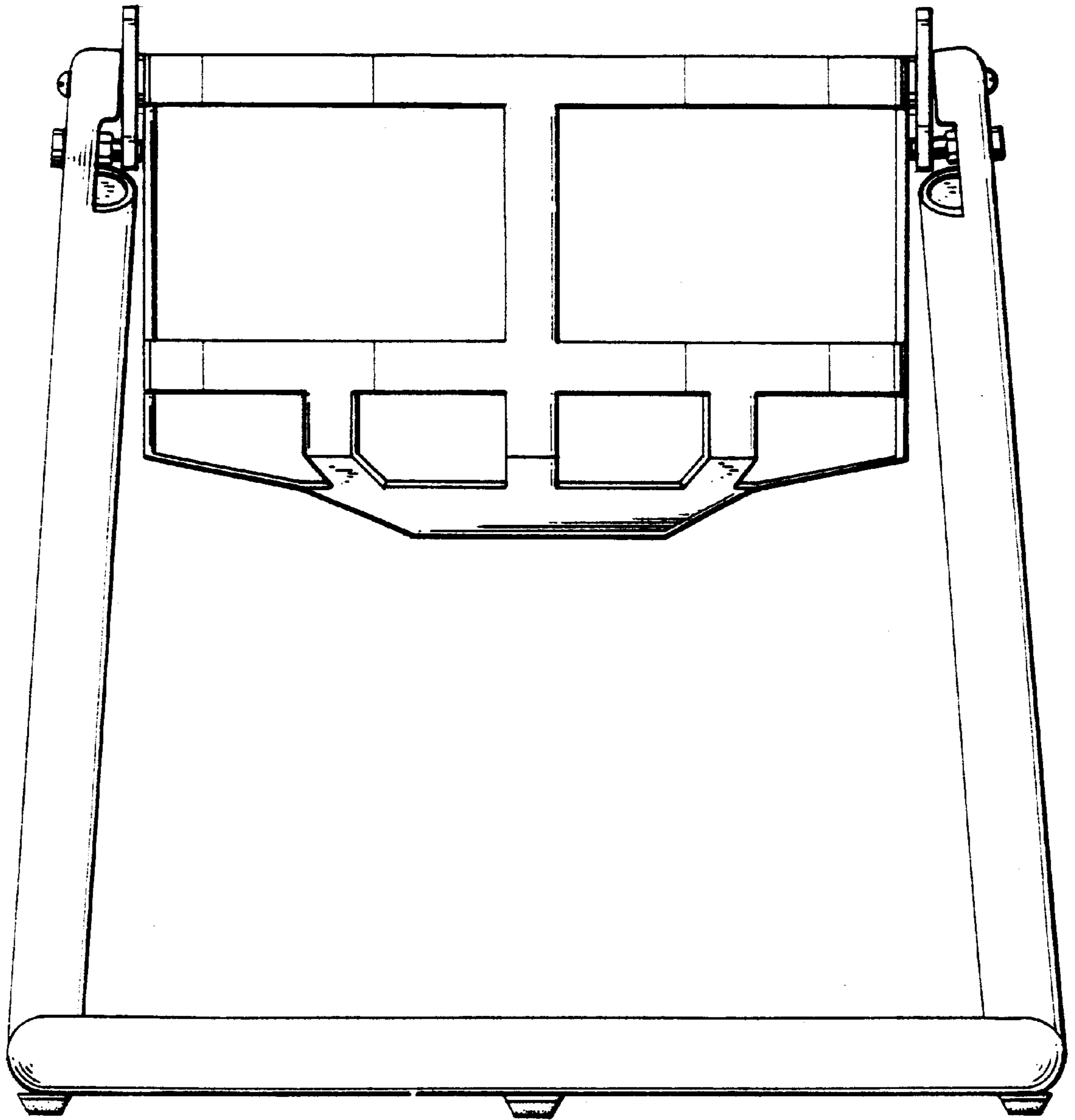


FIG 1

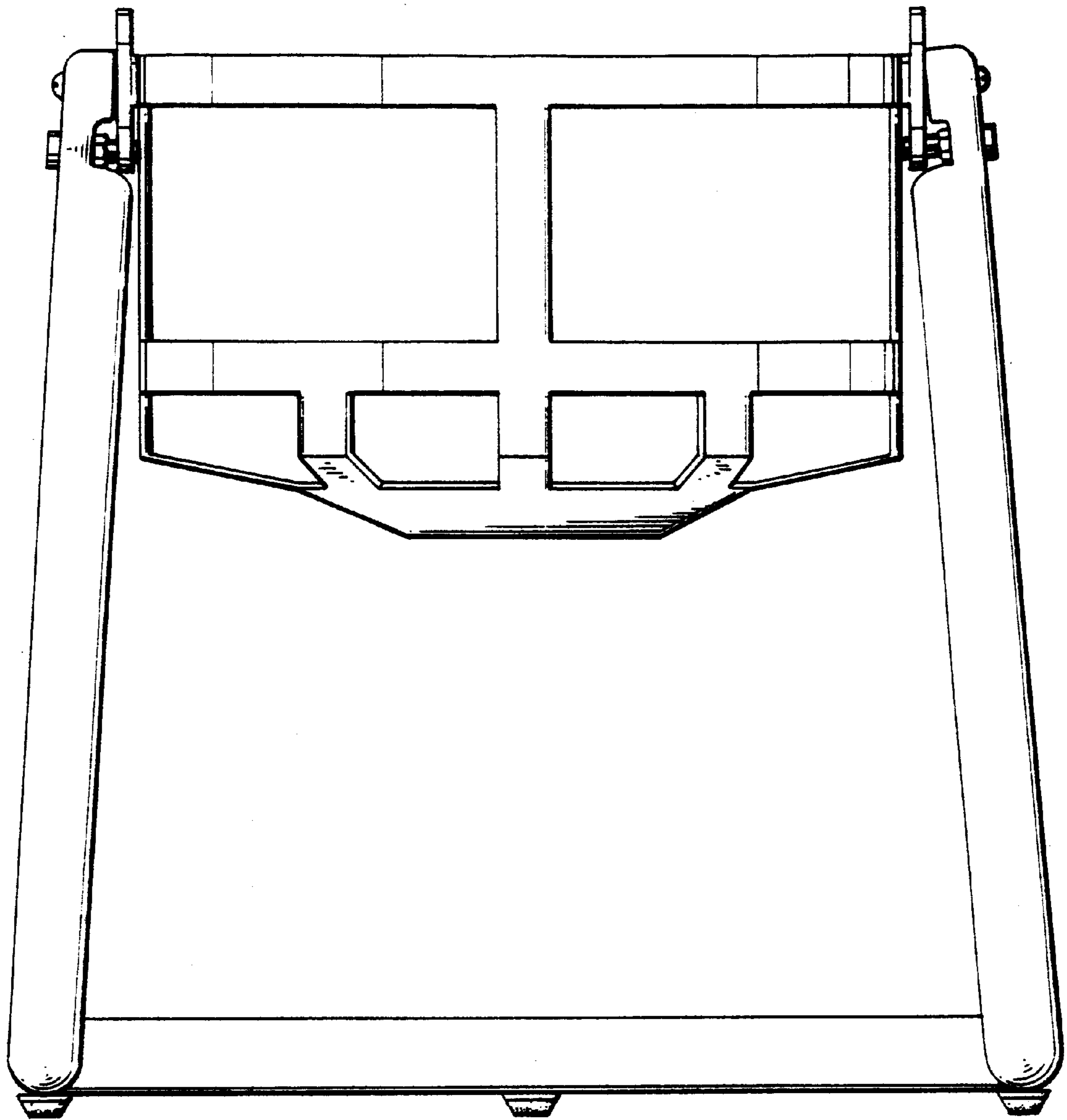


FIG 2

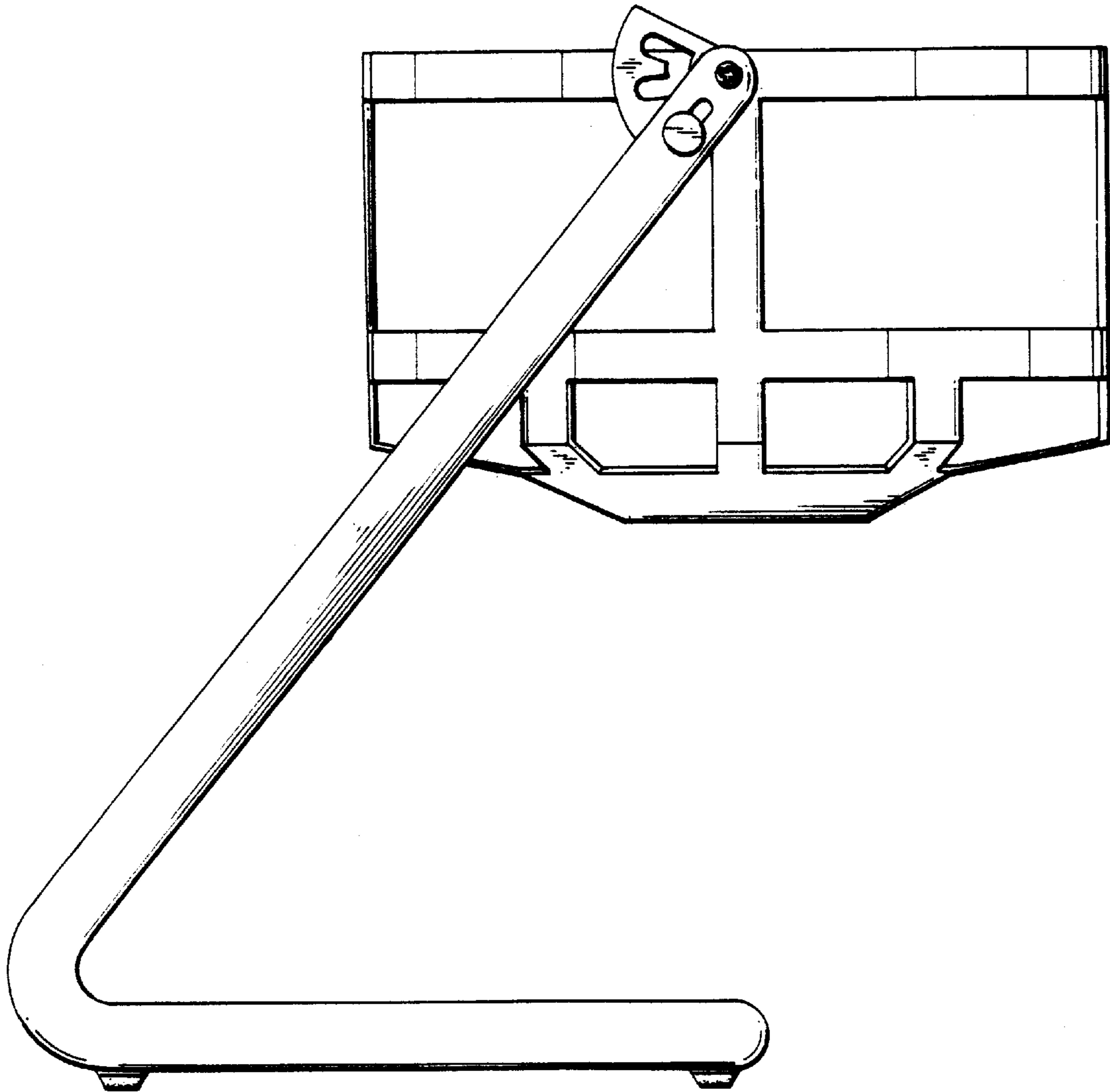


FIG 3

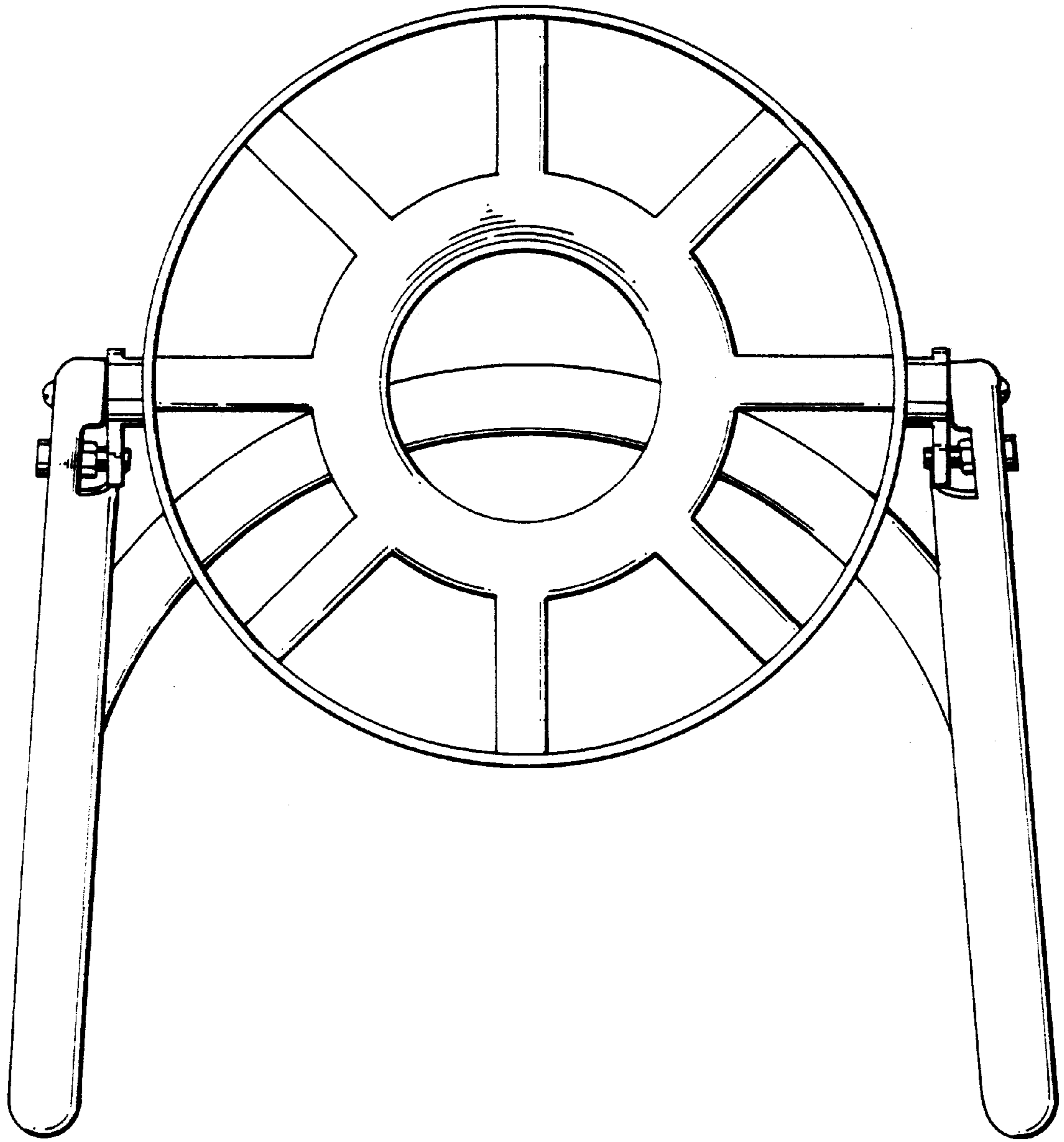


FIG 4

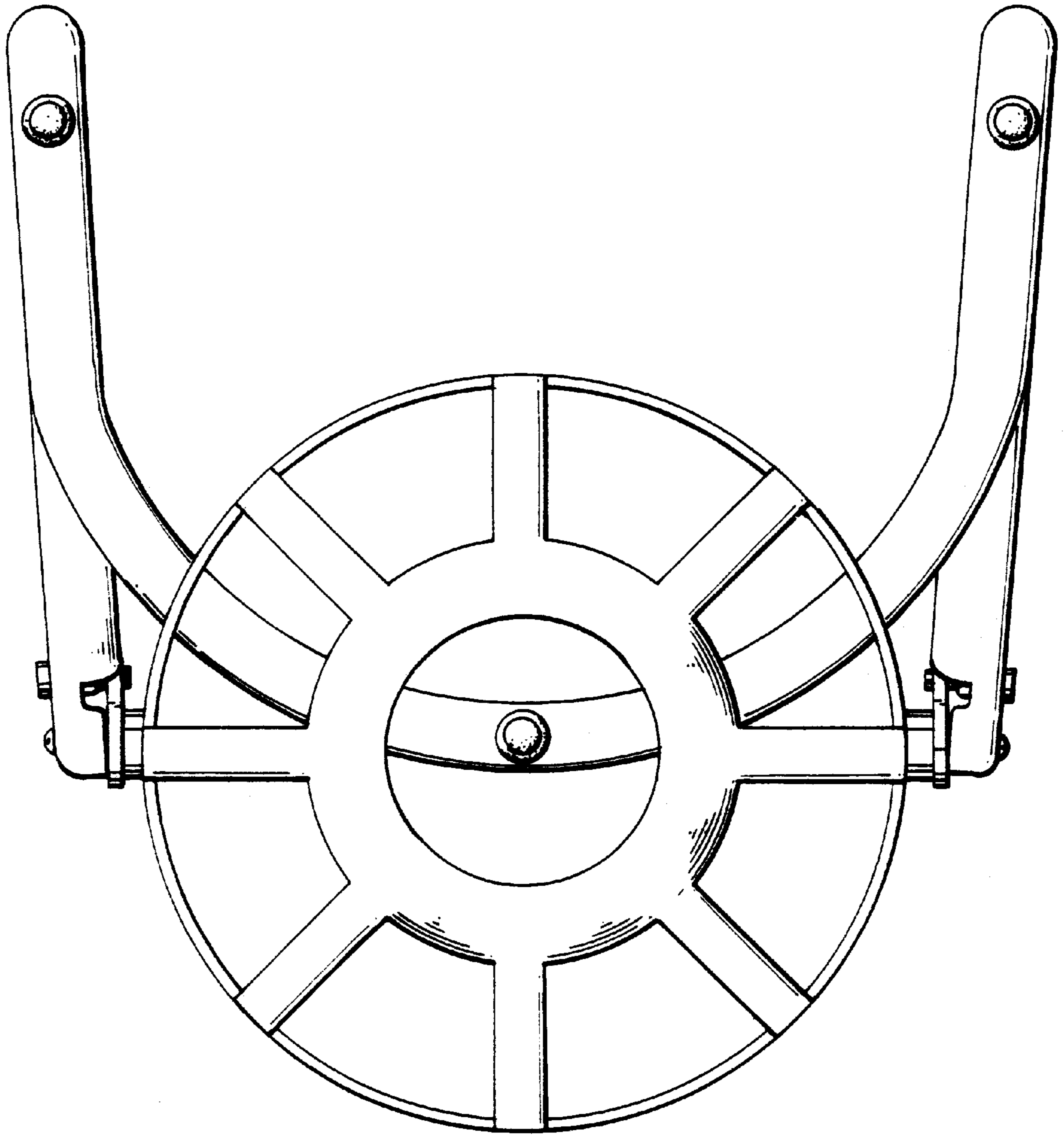


FIG 5

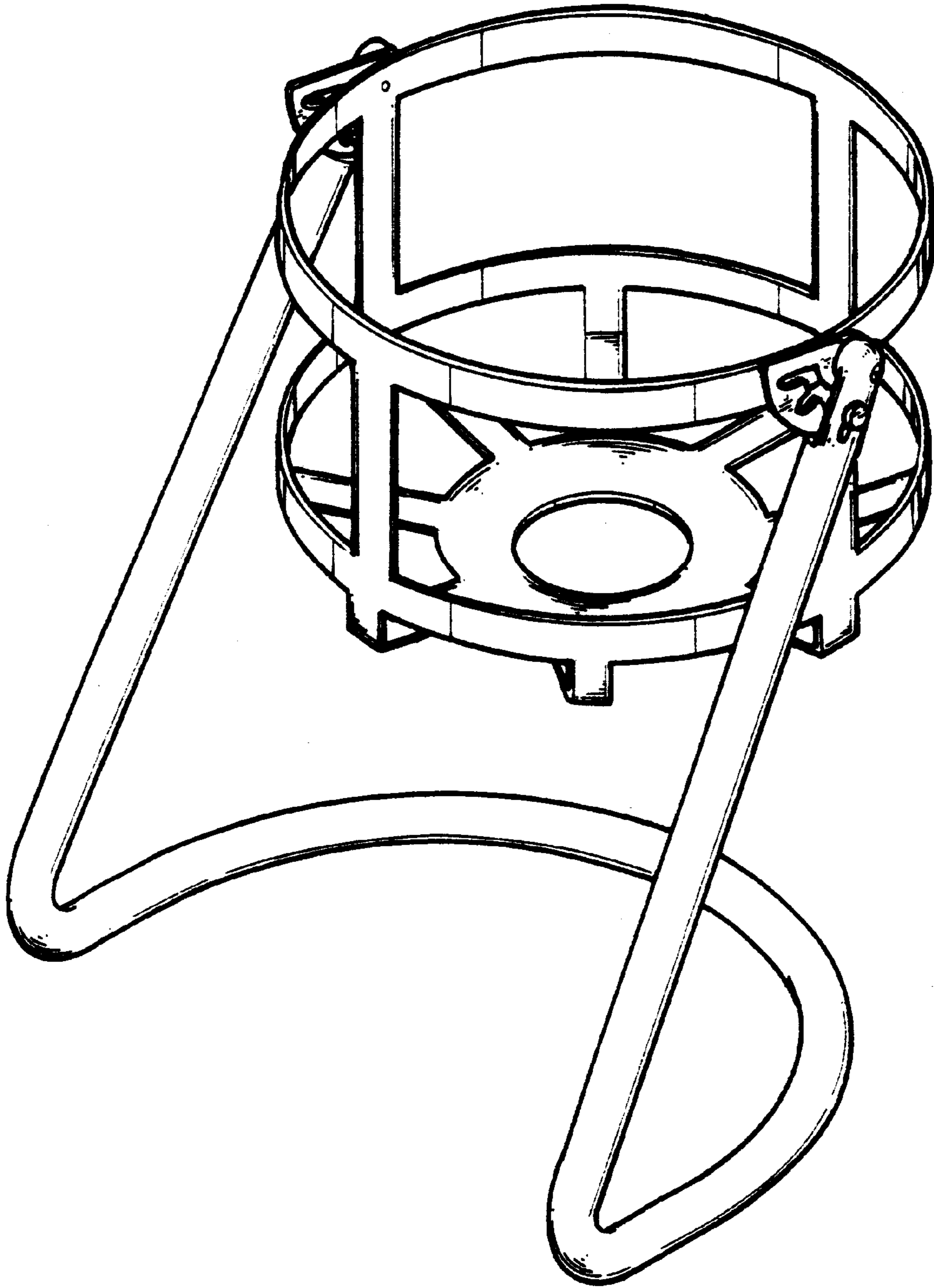


FIG 6