



US00D408689S

United States Patent [19]

Kato

[11] Patent Number: **Des. 408,689**

[45] Date of Patent: **** Apr. 27, 1999**

[54] **THERMAL INSULATING CUP WITH LID**

D. 397,905 9/1998 Hsu D7/510 X
D. 398,187 9/1998 Parker D7/510

[75] Inventor: **Rikiya Kato**, Tokyo, Japan

[73] Assignee: **Nippon Sanso Corporation**, Tokyo, Japan

[**] Term: **14 Years**

Primary Examiner—Terry A. Wallace
Attorney, Agent, or Firm—Armstrong, Westerman, Hattori, McLeland & Naughton

[21] Appl. No.: **29/085,906**

[22] Filed: **Apr. 1, 1998**

[57] CLAIM

I claim the ornamental design for the thermal insulating cup with lid, as shown and described.

[30] Foreign Application Priority Data

Oct. 2, 1997 [JP] Japan 9-70129

[51] **LOC (6) Cl.** **07-06**

[52] **U.S. Cl.** **D7/608; D7/511**

[58] **Field of Search** D7/605, 607, 608,
D7/510, 511; 220/737, 739, 740, 411, 703,
705, 717, 709, 713

DESCRIPTION

FIG. 1 is a perspective view of a thermal insulating cup with lid showing my new design;

FIG. 2 is a front elevational view thereof, the opposite, left and right sides being a mirror image thereof;

FIG. 3 is a top plan view thereof;

FIG. 4 is a bottom plan view thereof;

FIG. 5 is a cross-sectional view thereof taken along line 5—5 of FIG. 3; and,

FIG. 6 is a cross-sectional view thereof taken along line 6—6 of FIG. 2.

[56] References Cited

U.S. PATENT DOCUMENTS

D. 286,967 12/1986 Appel D7/511

1 Claim, 3 Drawing Sheets

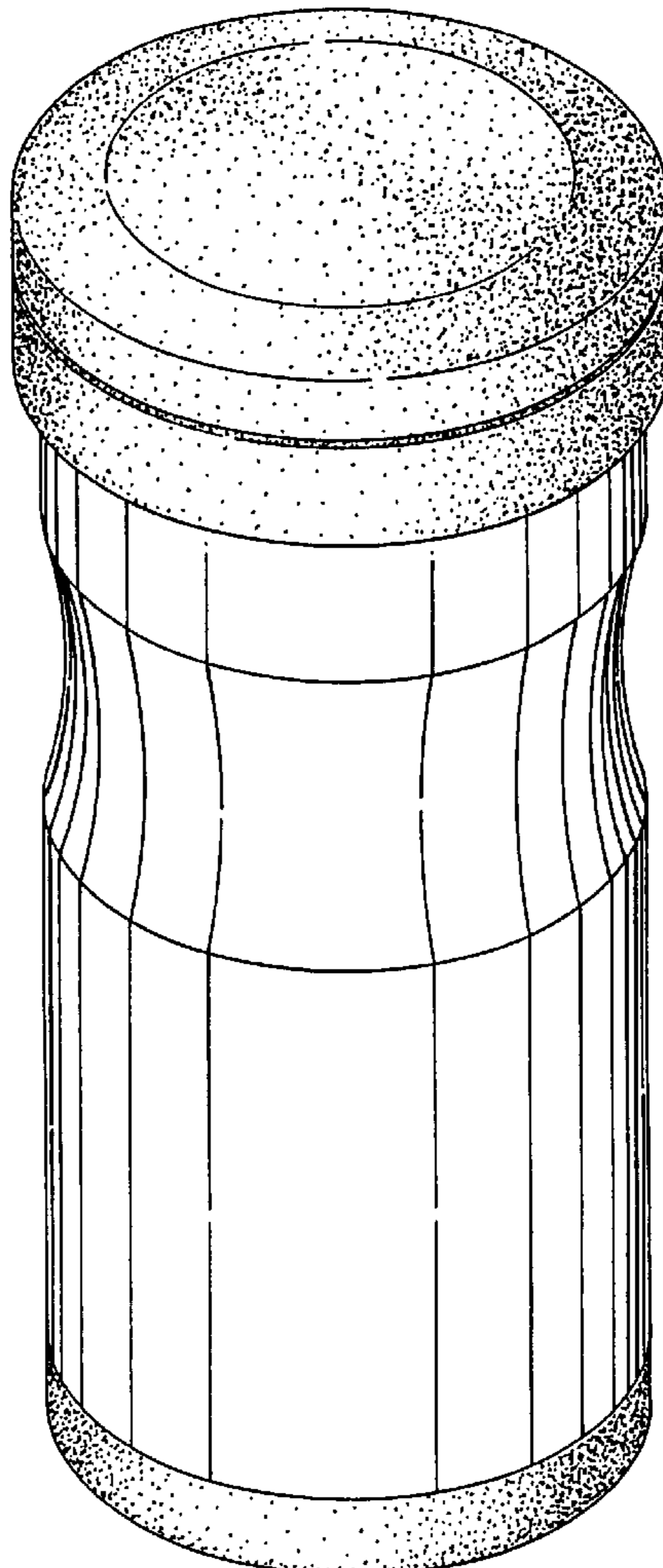


FIG. 1

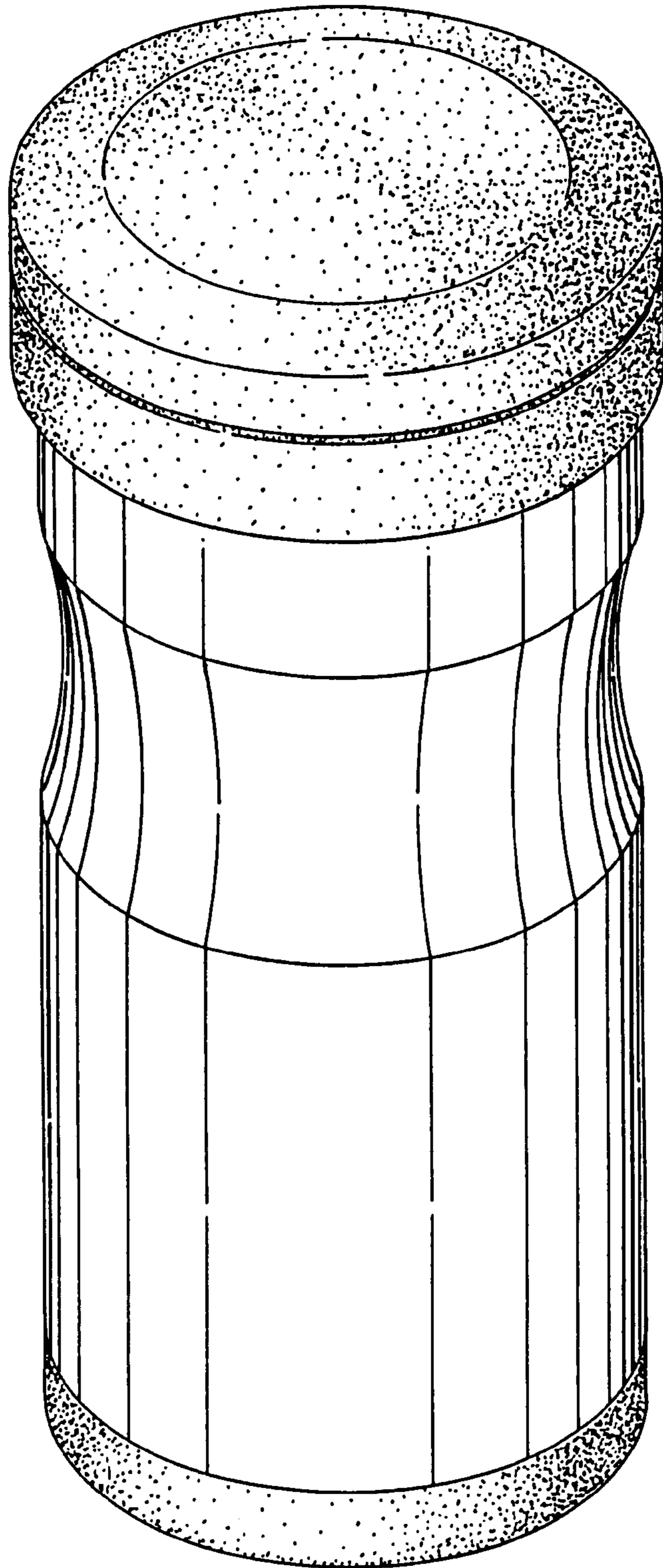


FIG. 3

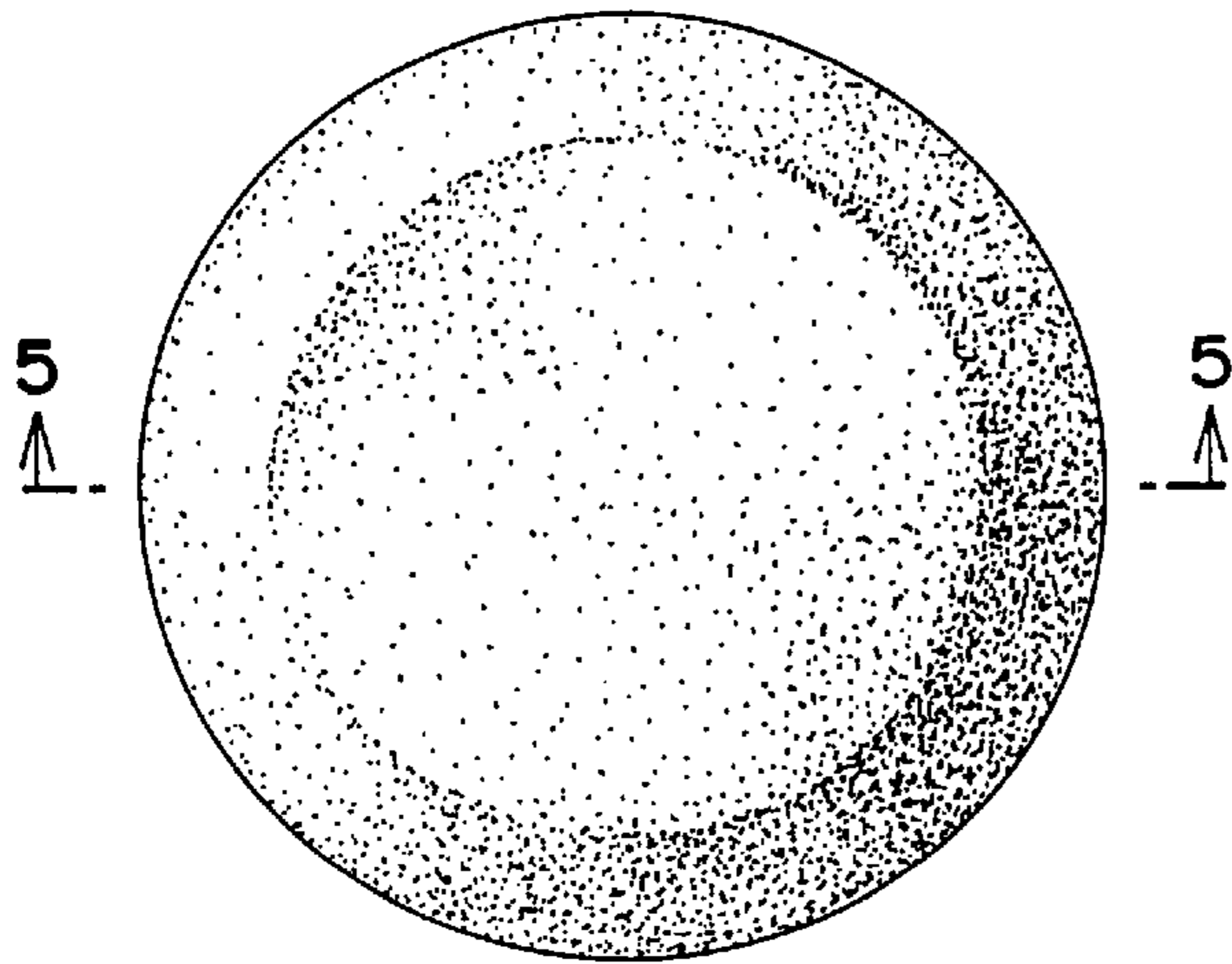


FIG. 2

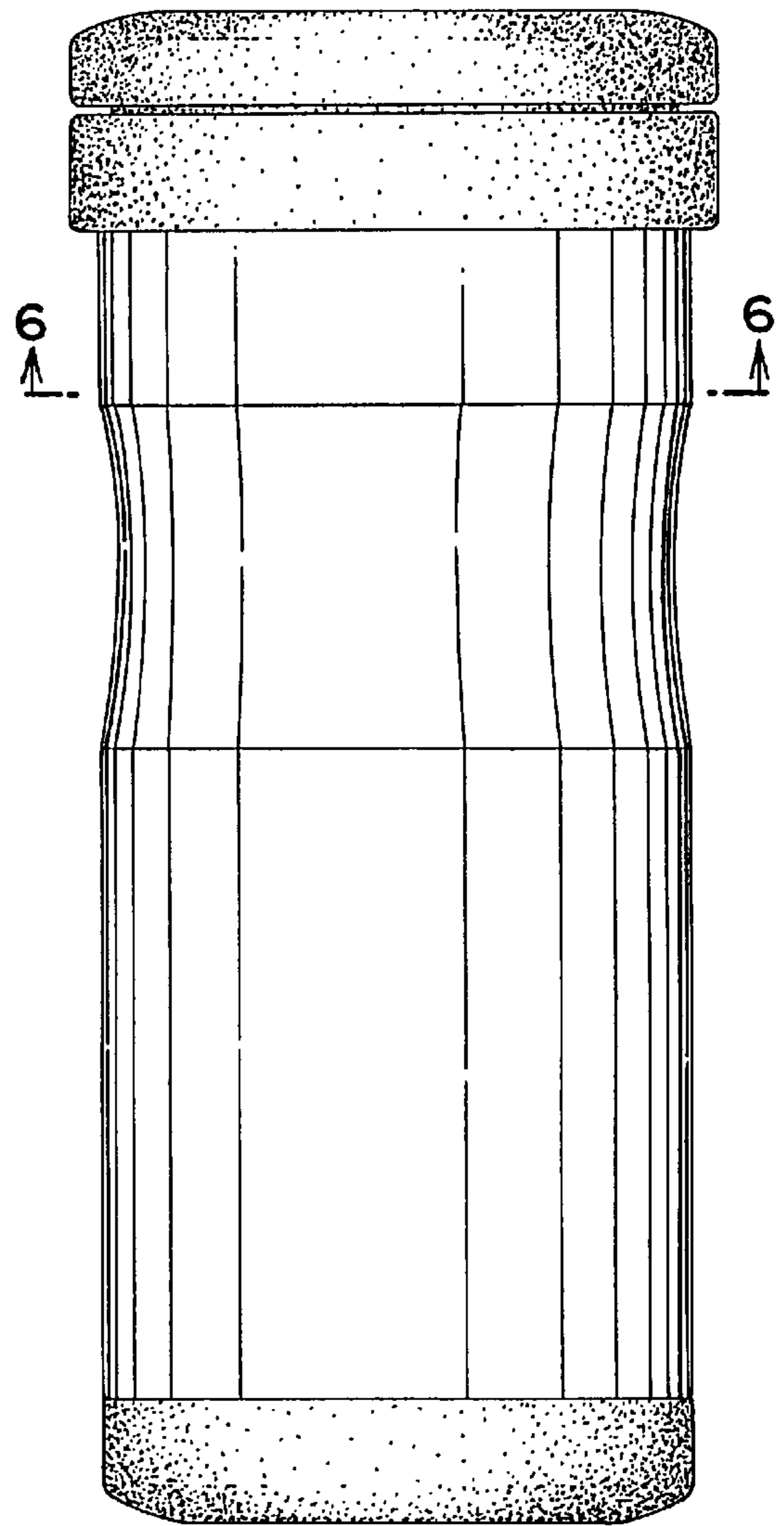


FIG. 4

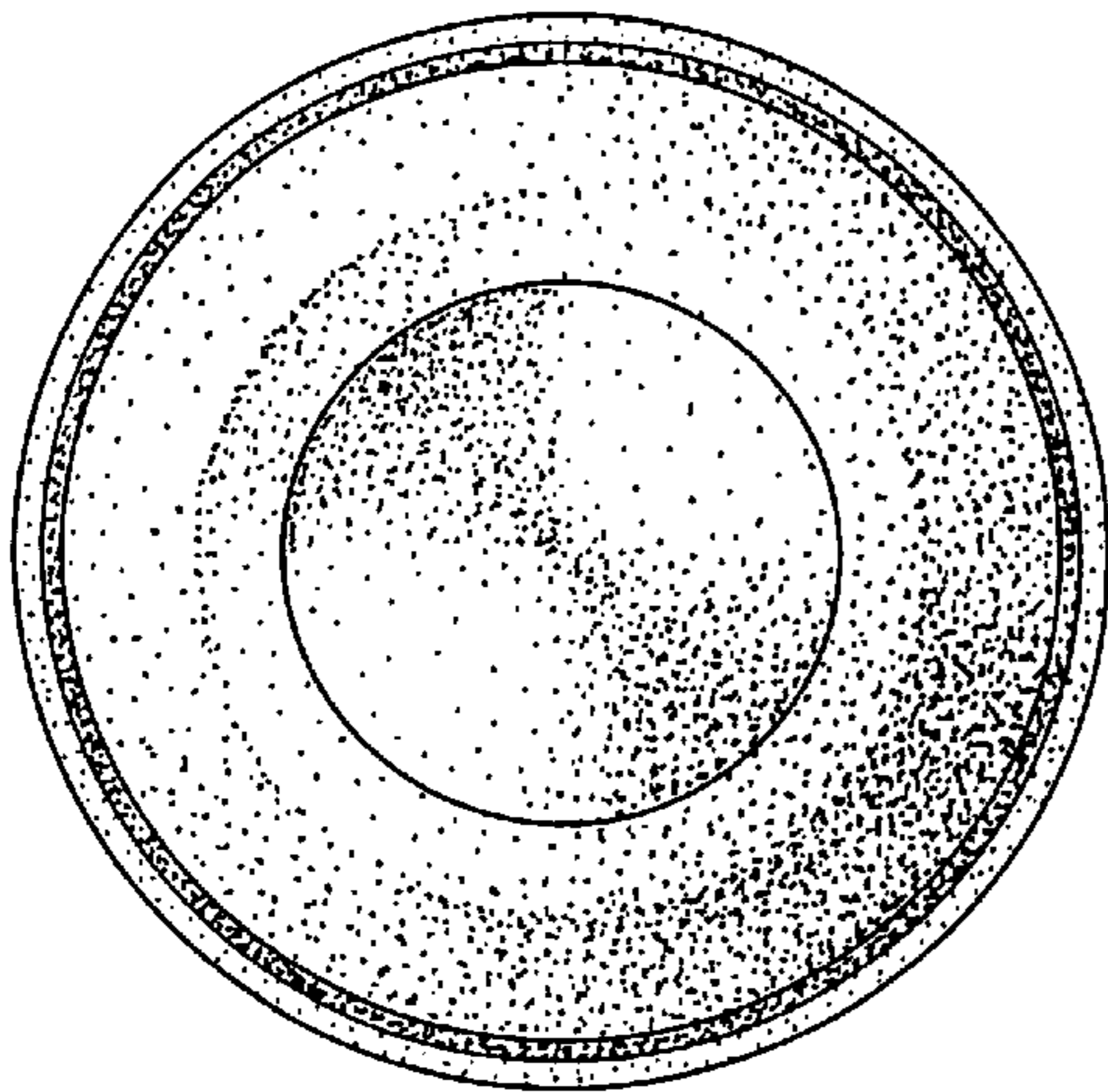


FIG. 5

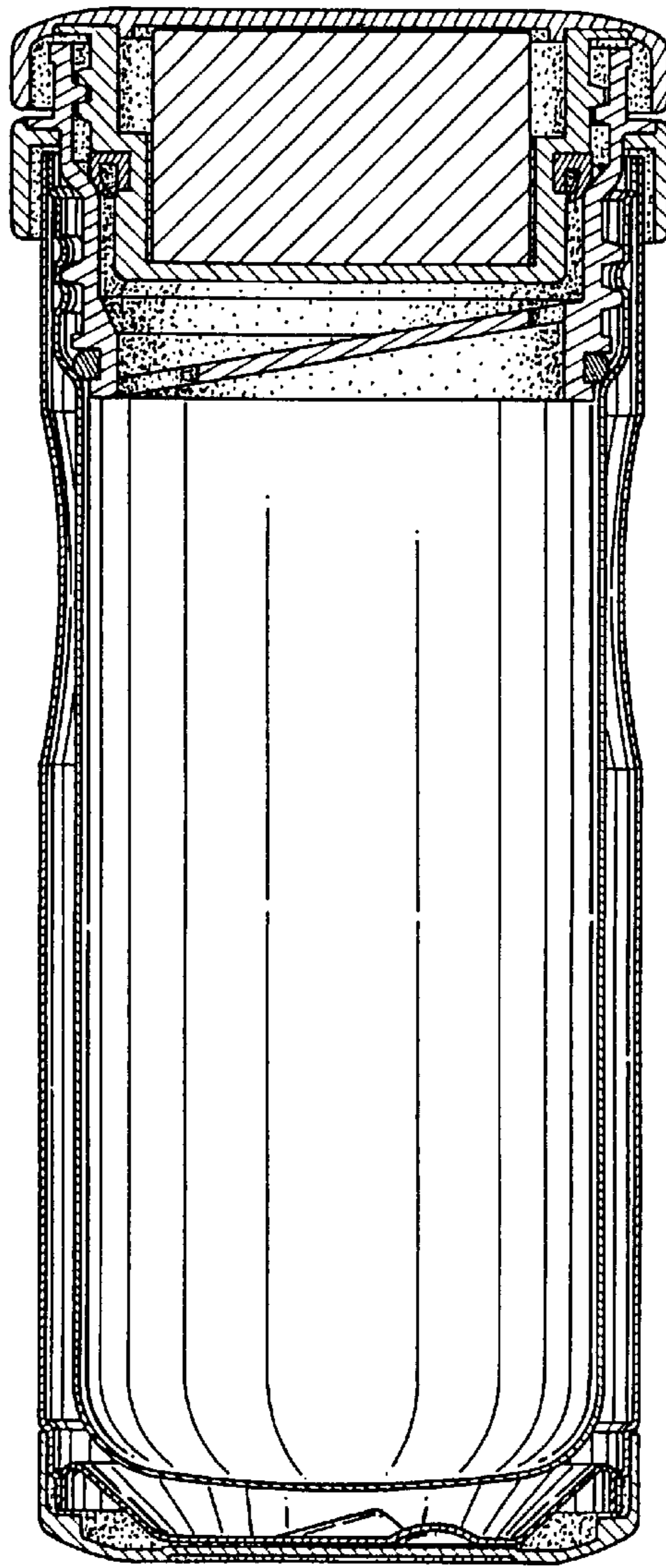


FIG. 6

