



US00D408681S

# United States Patent [19] Lin

[11] Patent Number: Des. 408,681

[45] Date of Patent: \*\*Apr. 27, 1999

[54] COFFEE MAKER

[76] Inventor: Yu-Yuan Lin, P.O. Box 1032, Tainan, Taiwan

[\*\*] Term: 14 Years

[21] Appl. No.: 29/092,647

[22] Filed: Aug. 24, 1998

[51] LOC (6) Cl. .... 07-01

[52] U.S. Cl. .... D7/309; D7/310; D7/311

[58] Field of Search ..... D7/309, 310, 311, D7/305; 97/295, 286, 285

[56] **References Cited**

U.S. PATENT DOCUMENTS

D. 295,486	5/1988	Eugster et al. ....	D7/309
D. 344,205	2/1994	Saltet .....	D7/309
D. 361,690	8/1995	Amie .....	D7/309
D. 366,982	2/1996	Amiel .....	D7/311 X
D. 379,049	5/1997	Amiel .....	D7/305

D. 381,237	7/1997	De Longhi .....	D7/310 X
D. 382,437	8/1997	Amiel .....	D7/309
D. 397,904	9/1998	De Longhi .....	D7/309
4,951,556	8/1990	Ng .....	99/285

Primary Examiner—M. N. Pandozzi

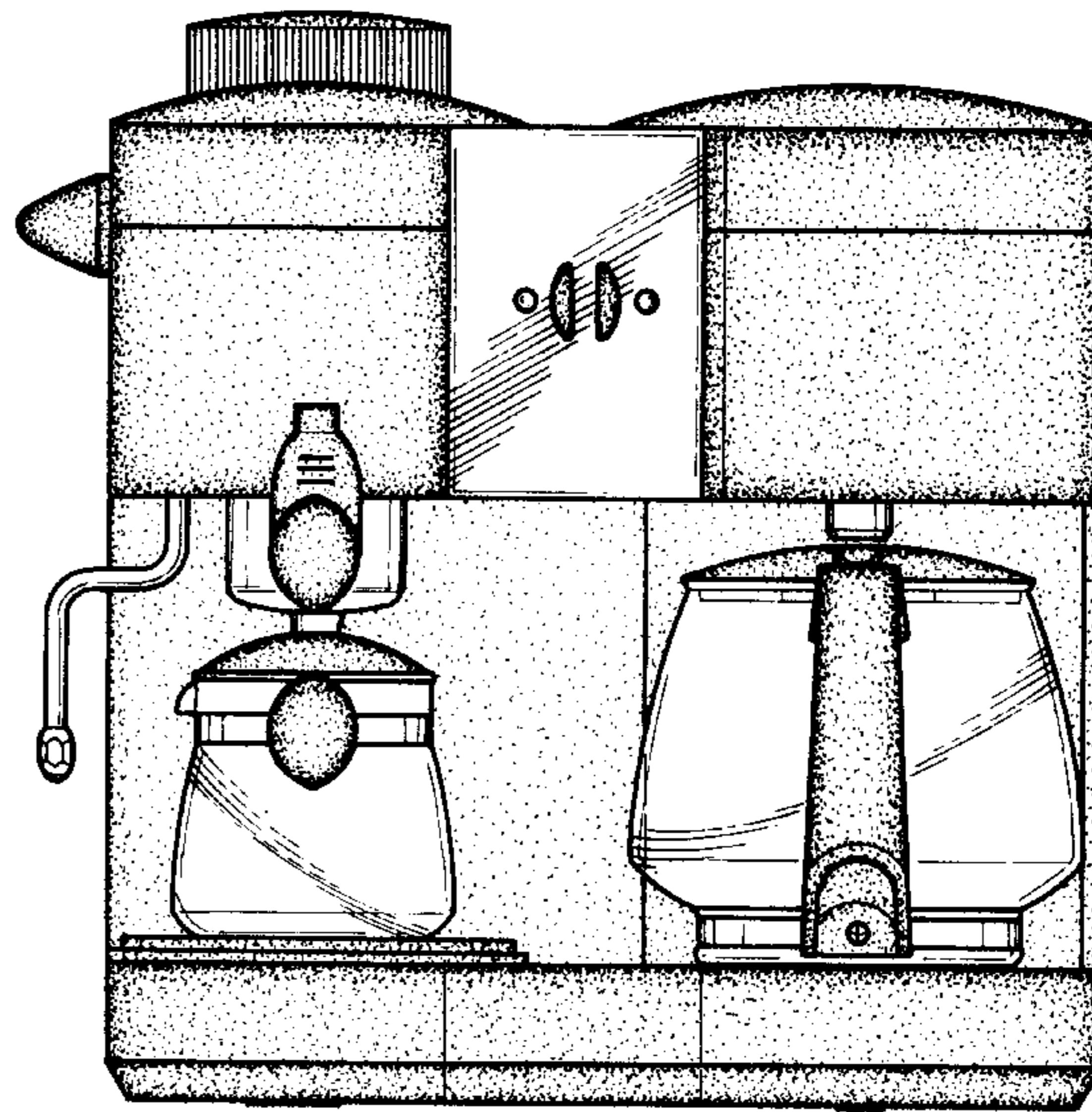
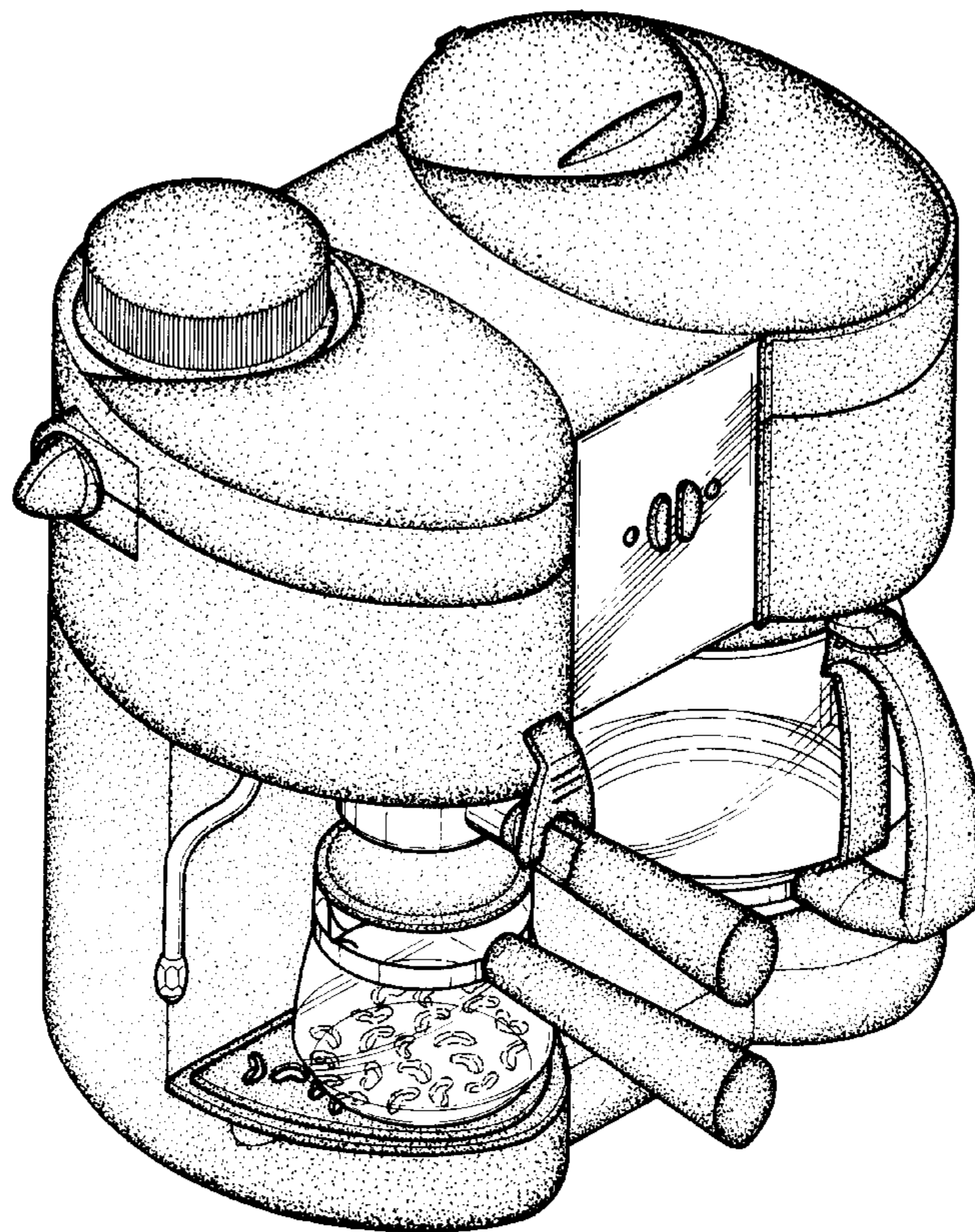
[57] **CLAIM**

The ornamental design for a coffee maker, as shown and described.

**DESCRIPTION**

FIG. 1 is a perspective view of coffee maker showing my new design;  
FIG. 2 is a front elevational view thereof;  
FIG. 3 is a rear elevational view thereof;  
FIG. 4 is a left side elevational view thereof;  
FIG. 5 is a right side elevational view thereof;  
FIG. 6 is a top plan view thereof; and,  
FIG. 7 is a bottom plan view thereof.

1 Claim, 7 Drawing Sheets



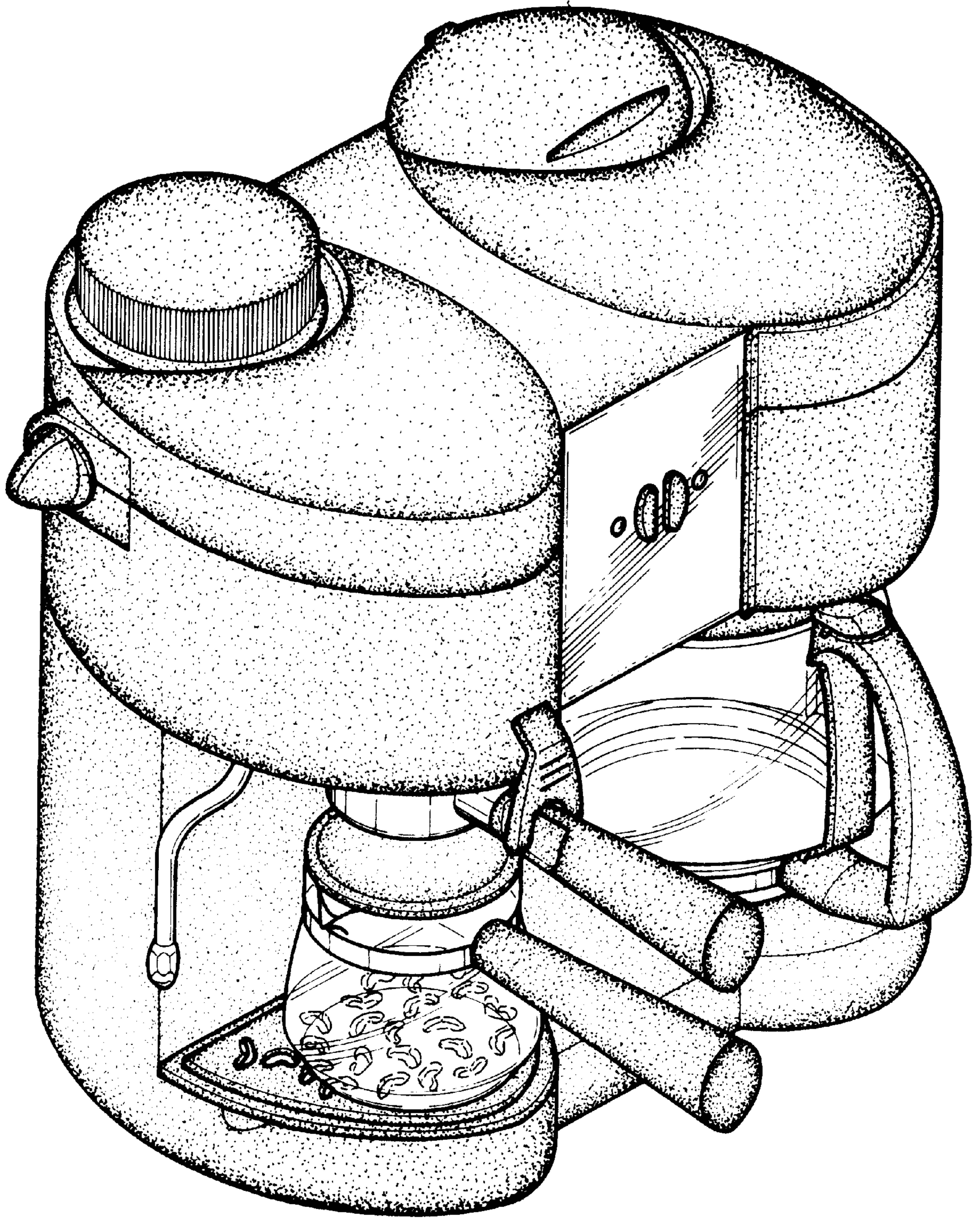


FIG.1

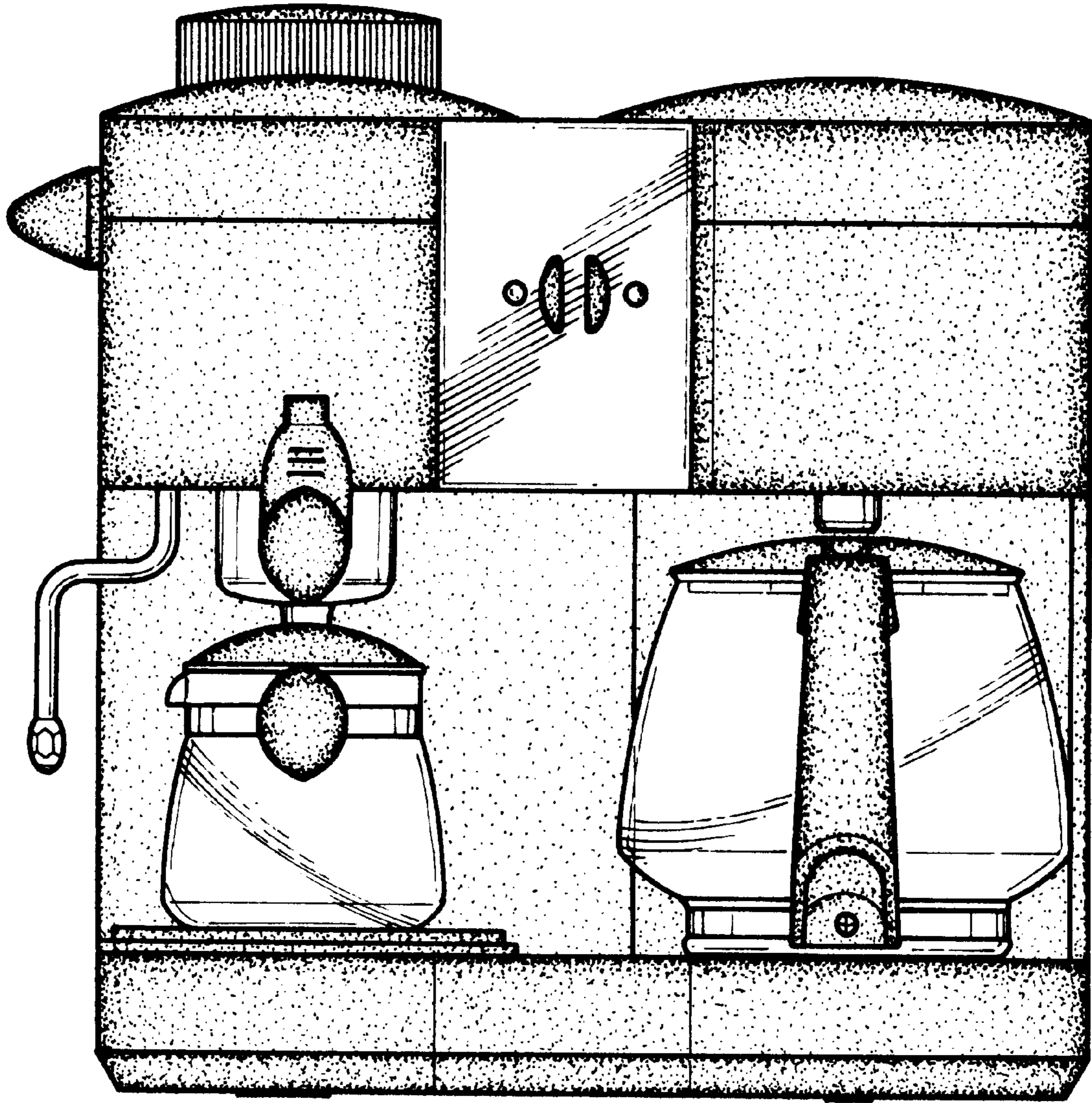


FIG. 2

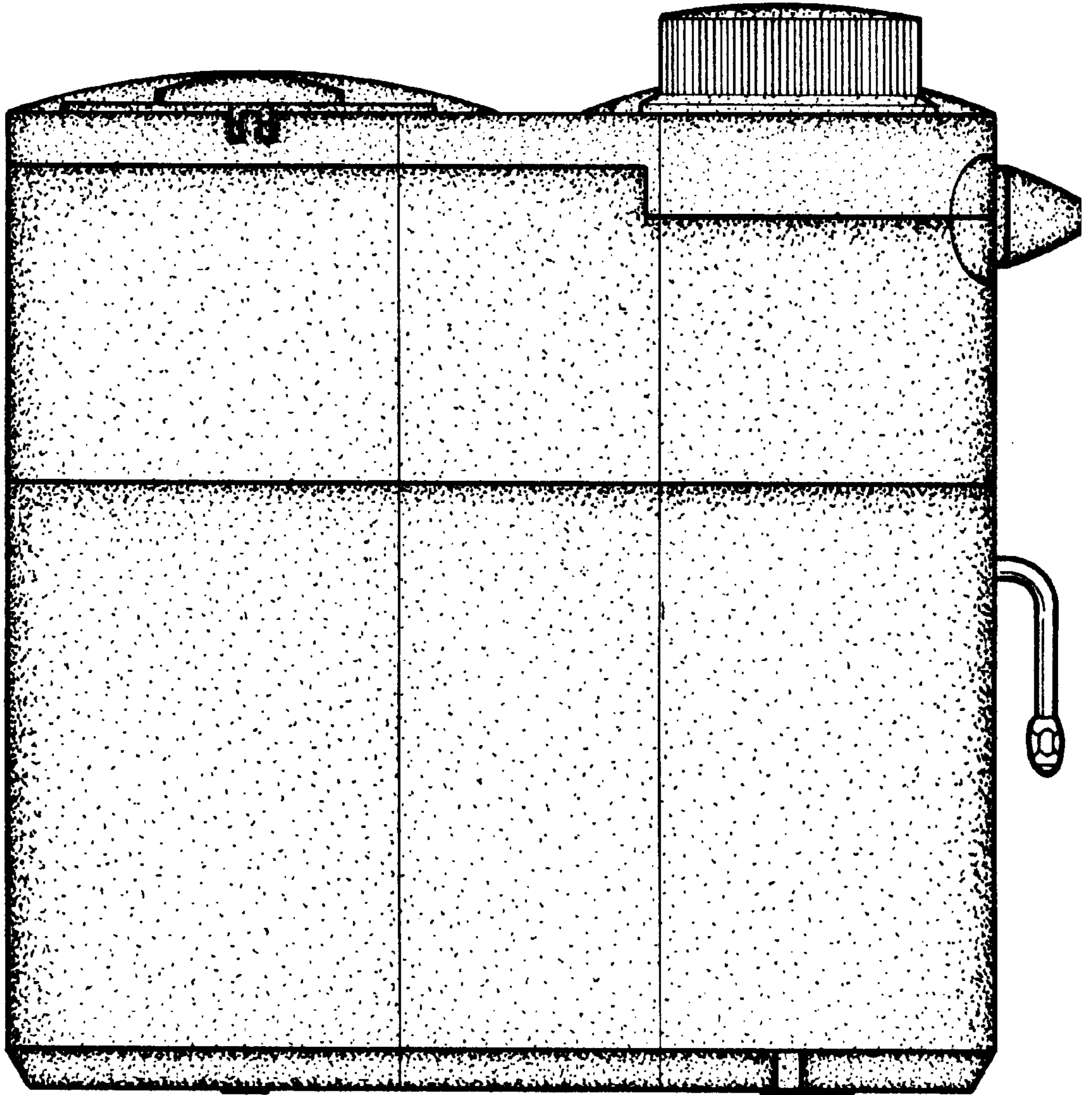


FIG. 3

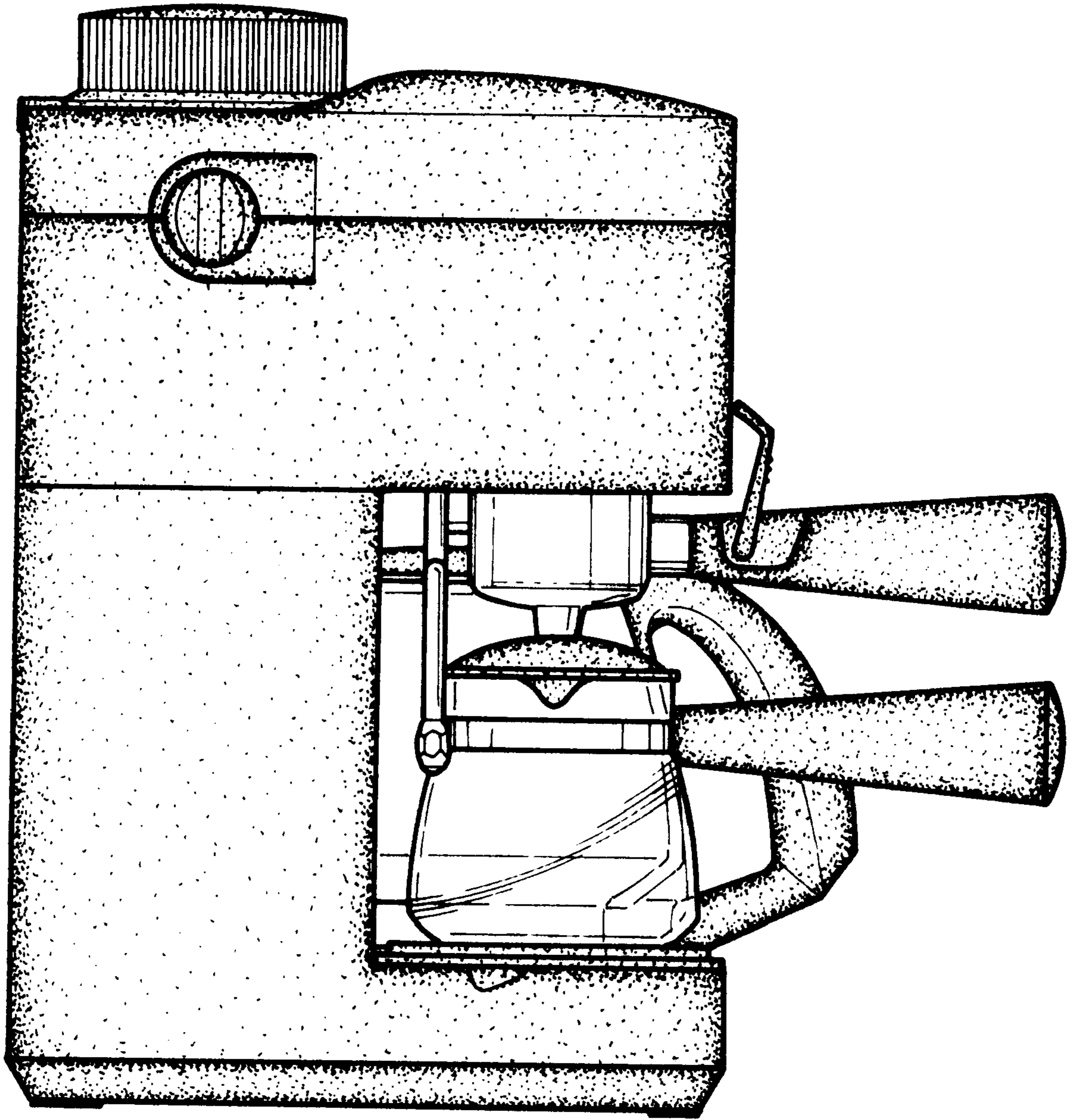


FIG. 4

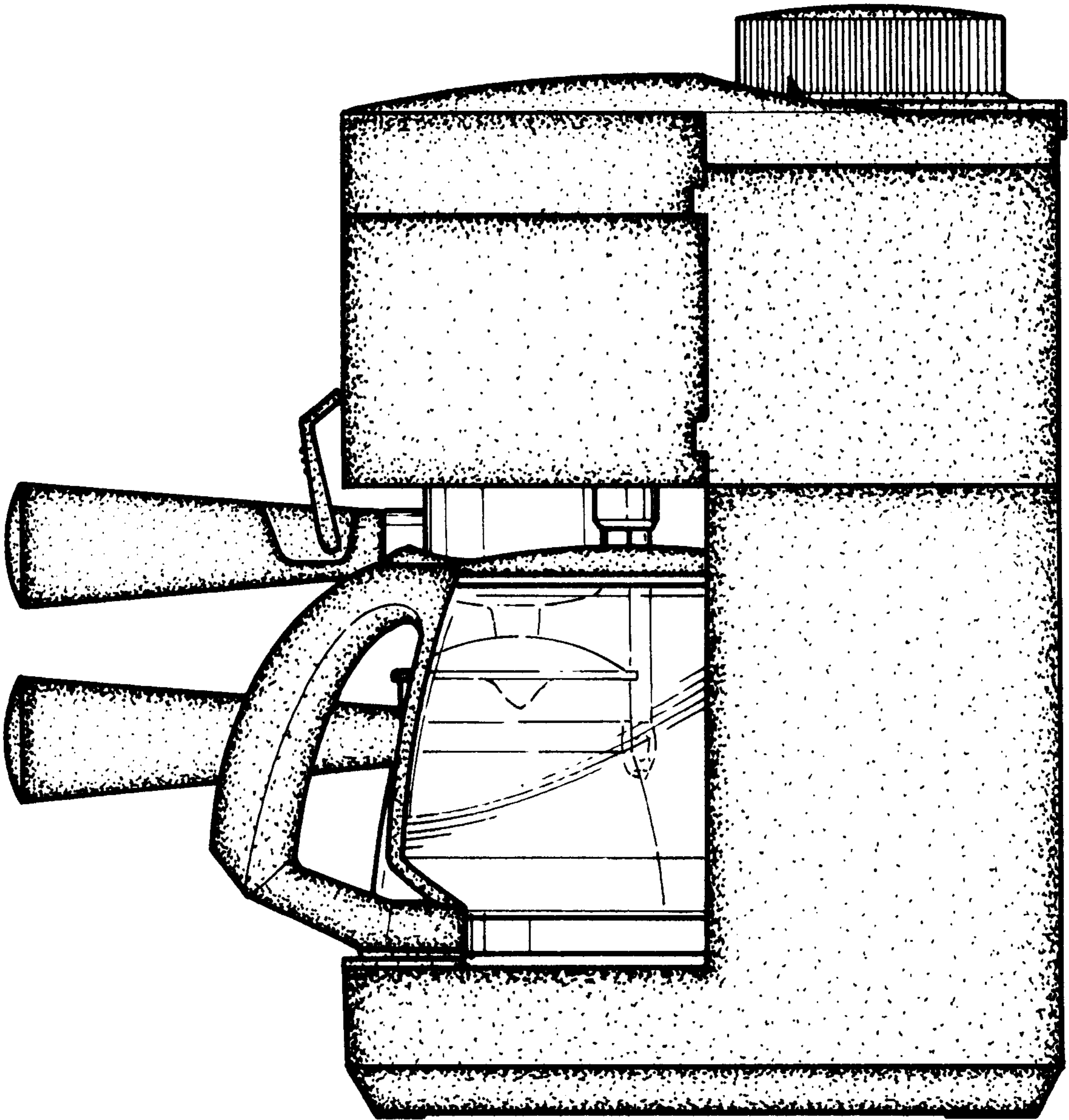


FIG. 5

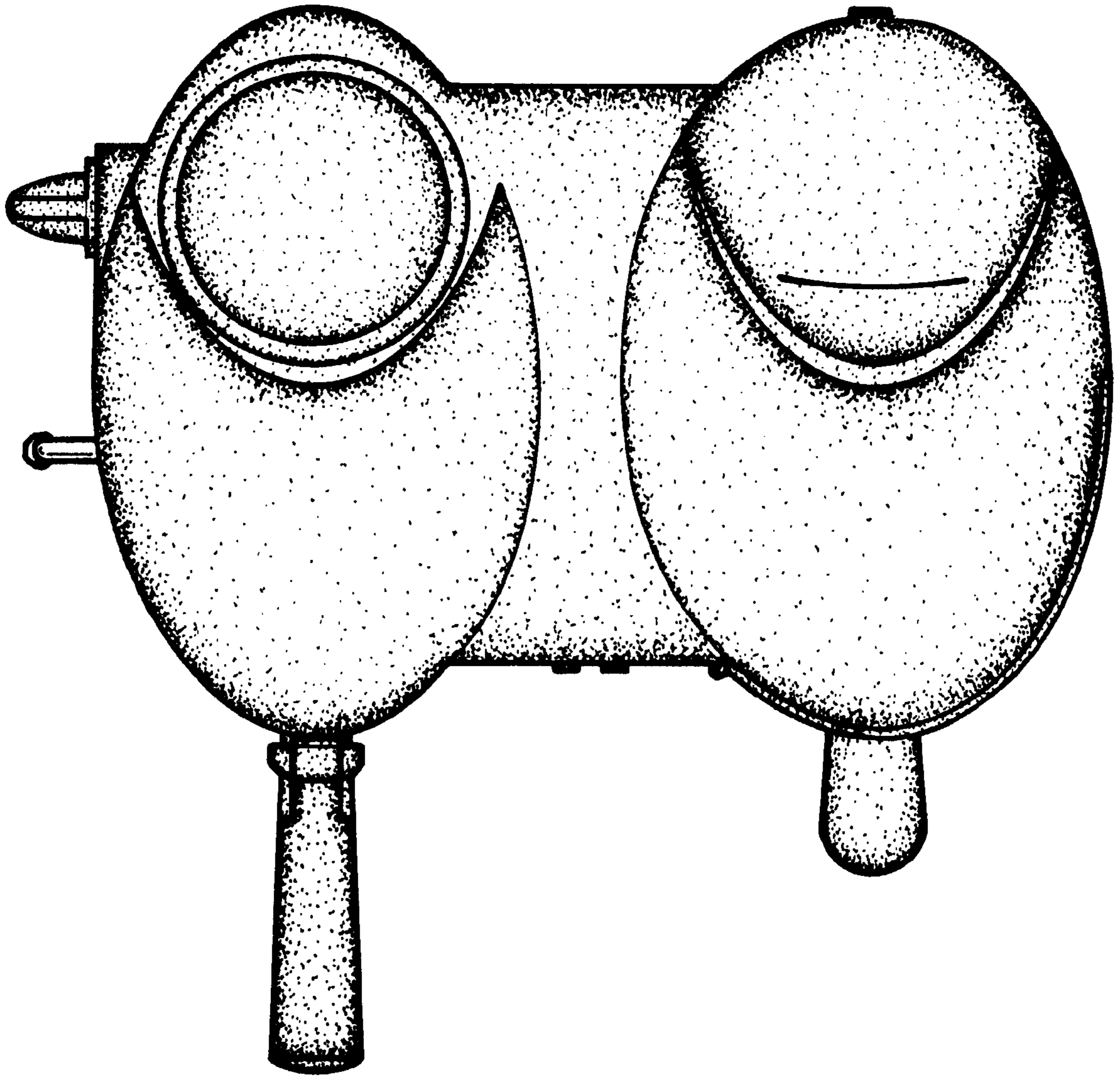


FIG.6

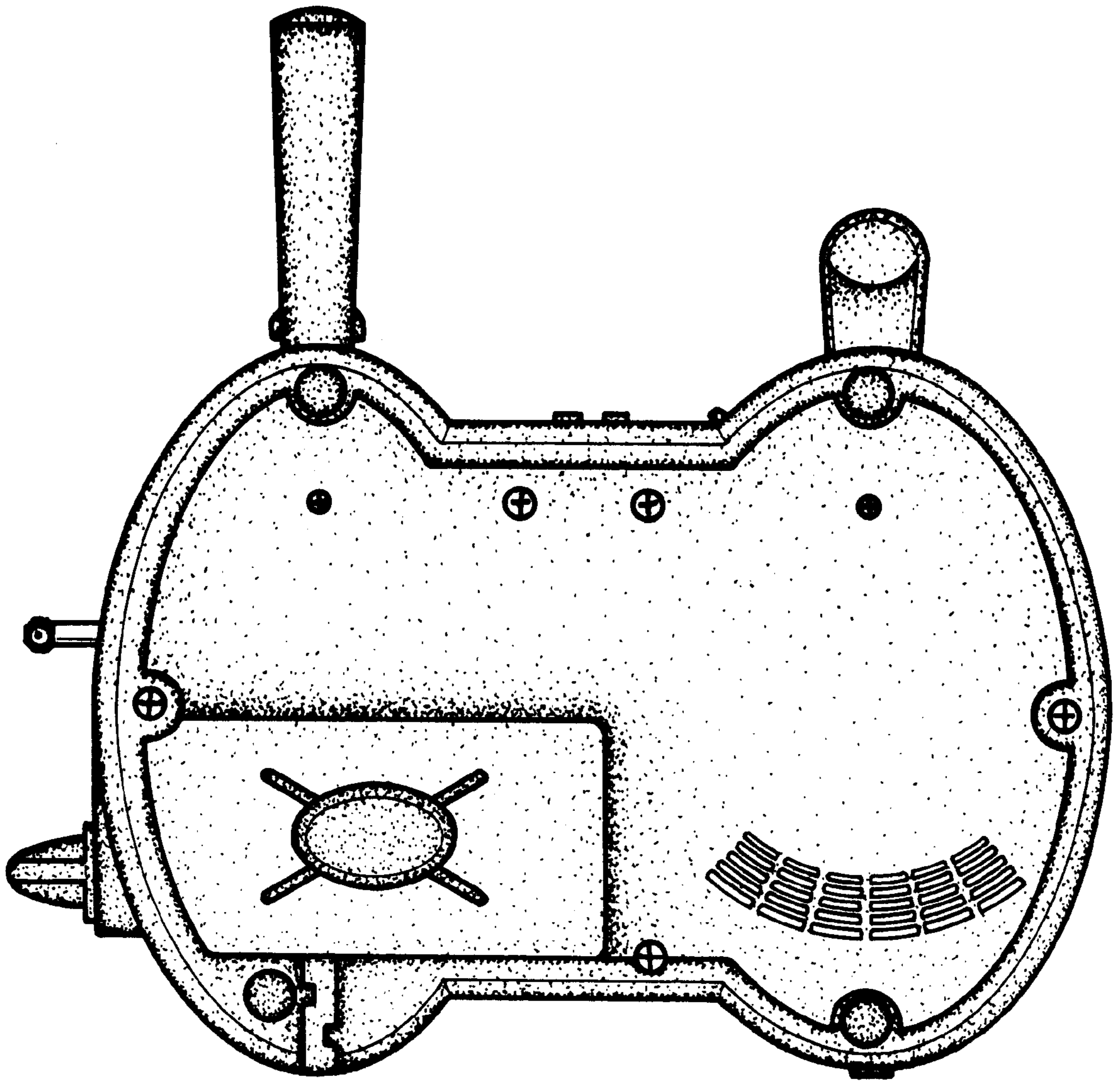


FIG. 7