



US00D408677S

United States Patent [19] Parnham

[11] **Patent Number: Des. 408,677**

[45] **Date of Patent: **Apr. 27, 1999**

[54] **THIGH CUSHION**

5,133,098 7/1992 Weber 5/655

[76] Inventor: **Leon Parnham**, 2-4 Were Street,
Brighton, Vic, Australia, 3186

OTHER PUBLICATIONS

Dynamic Chi, "Do a House Call without Leaving the Office", Ortho-Pal, p. 42.

[**] Term: **14 Years**

Primary Examiner—Janice E. Seeger

[21] Appl. No.: **09/085,262**

Attorney, Agent, or Firm—Jacobson, Price, Holman & Stern, PLLC

[22] Filed: **Mar. 19, 1998**

[30] Foreign Application Priority Data

Oct. 7, 1997 [AU] Australia 331797

[57] CLAIM

The ornamental design for a thigh cushion, as shown and described.

[51] **LOC (6) Cl.** **06-09**

DESCRIPTION

[52] **U.S. Cl.** **D6/601**

[58] **Field of Search** D6/595, 596, 601,
D6/604; 5/630, 631, 632, 637, 640, 644,
646, 647, 648, 650, 652, 653, 654, 655.9,
657, 907

FIG. 1 is a perspective view of a thigh cushion showing my new design;

FIG. 2 is a plan view of the thigh cushion shown in FIG. 1;
FIG. 3 is a side view of the thigh cushion shown in FIG. 1, the opposite side being a mirror image thereof;

FIG. 4 is a front view of the thigh cushion of FIG. 1, the rear being a mirror image thereof; and,

FIG. 5 is a bottom view of the thigh cushion shown in FIG. 1.

[56] References Cited

U.S. PATENT DOCUMENTS

D. 371,035 6/1996 Davis D6/601
2,522,120 9/1950 Kaskey et al. 5/636
5,129,705 7/1992 Wray 297/397

1 Claim, 3 Drawing Sheets

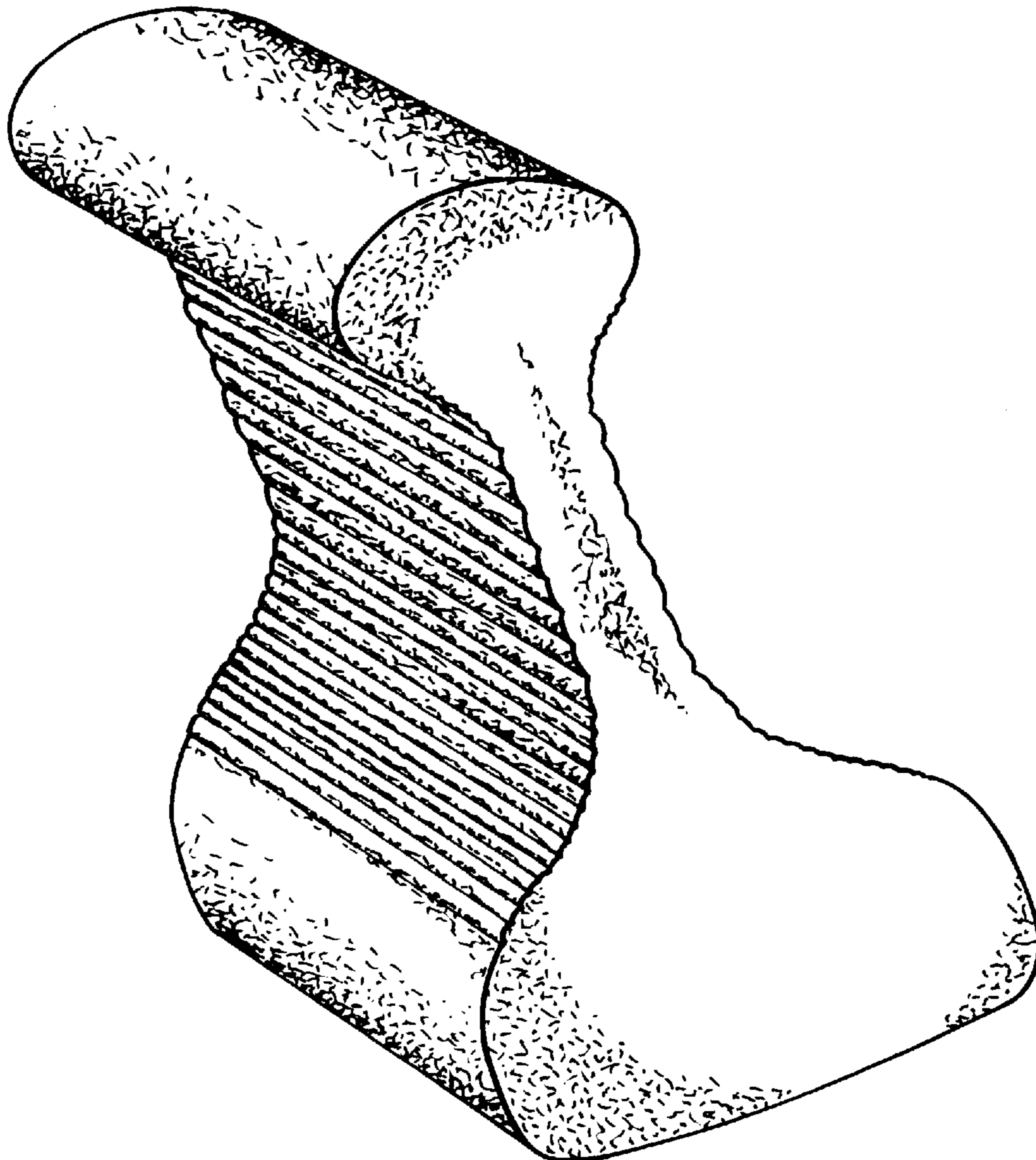


FIG. 1.

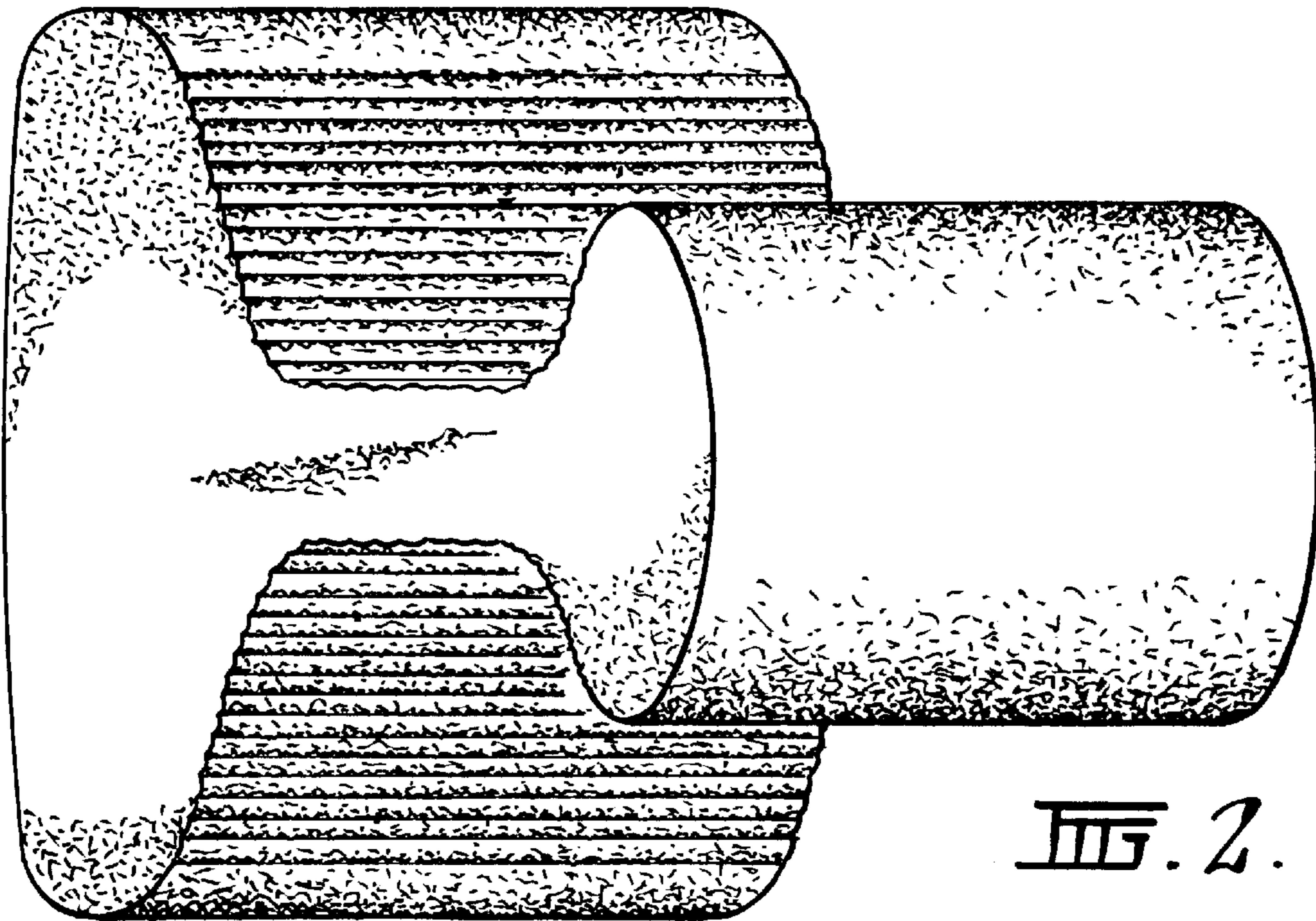
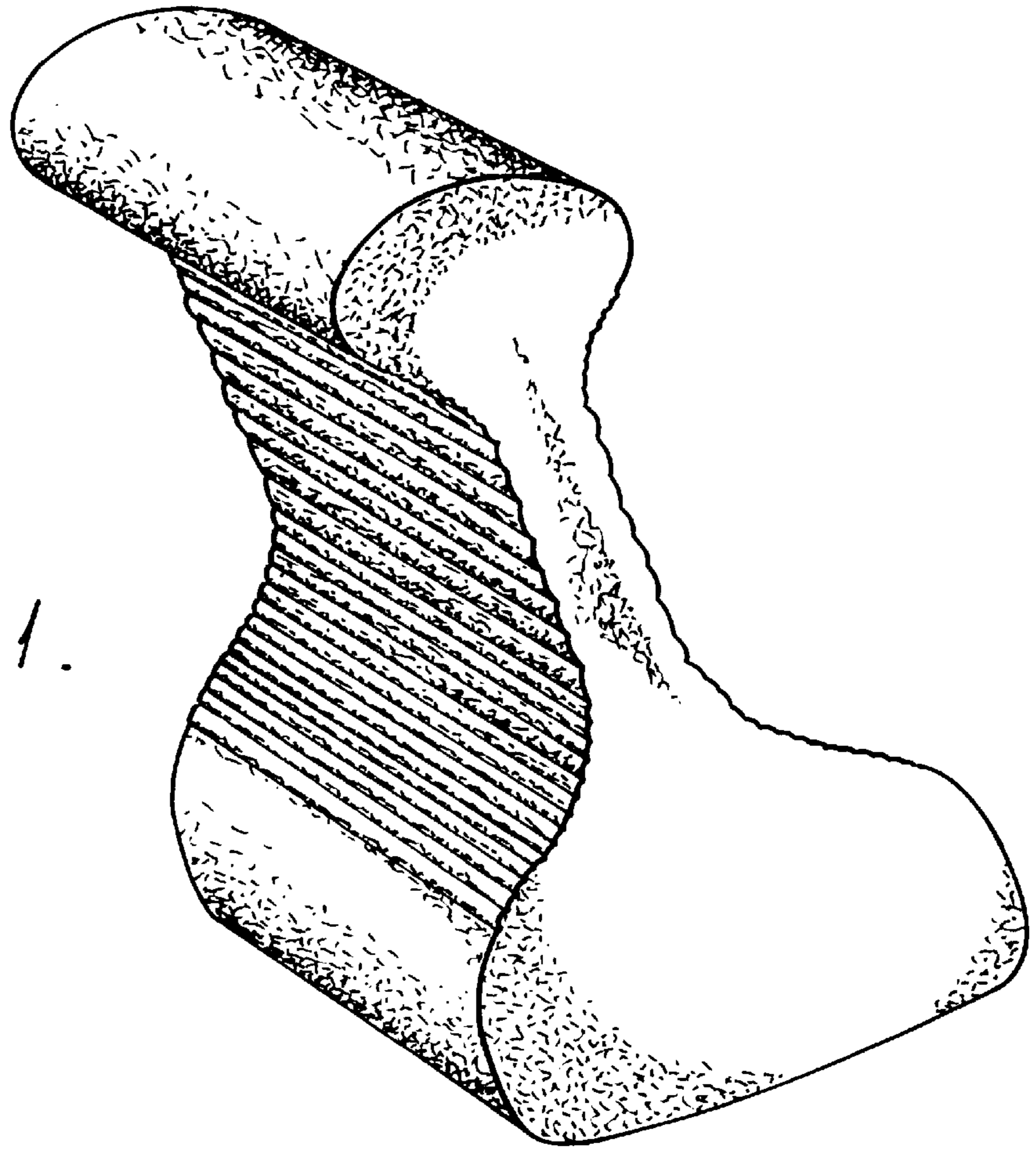
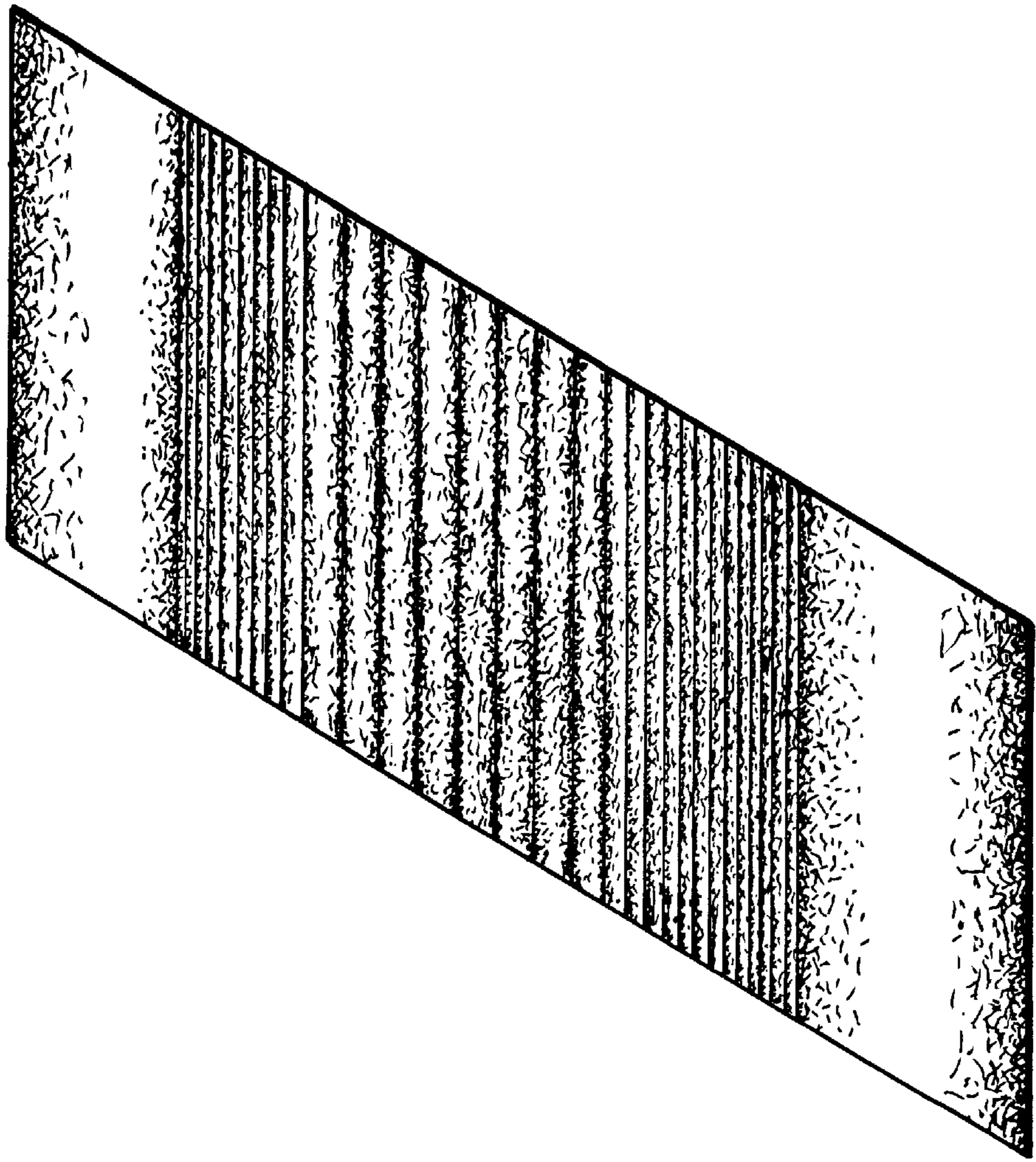
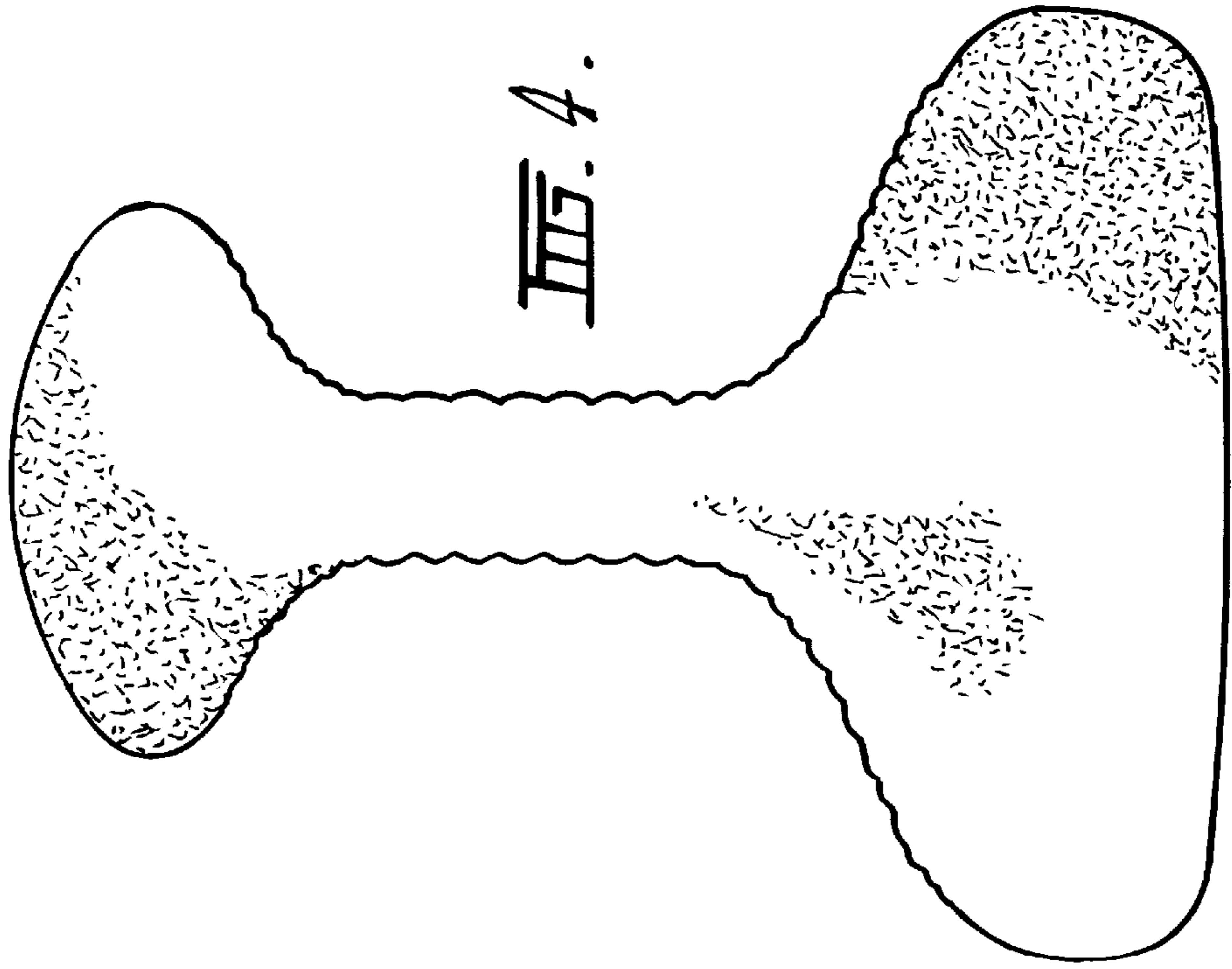


FIG. 2.



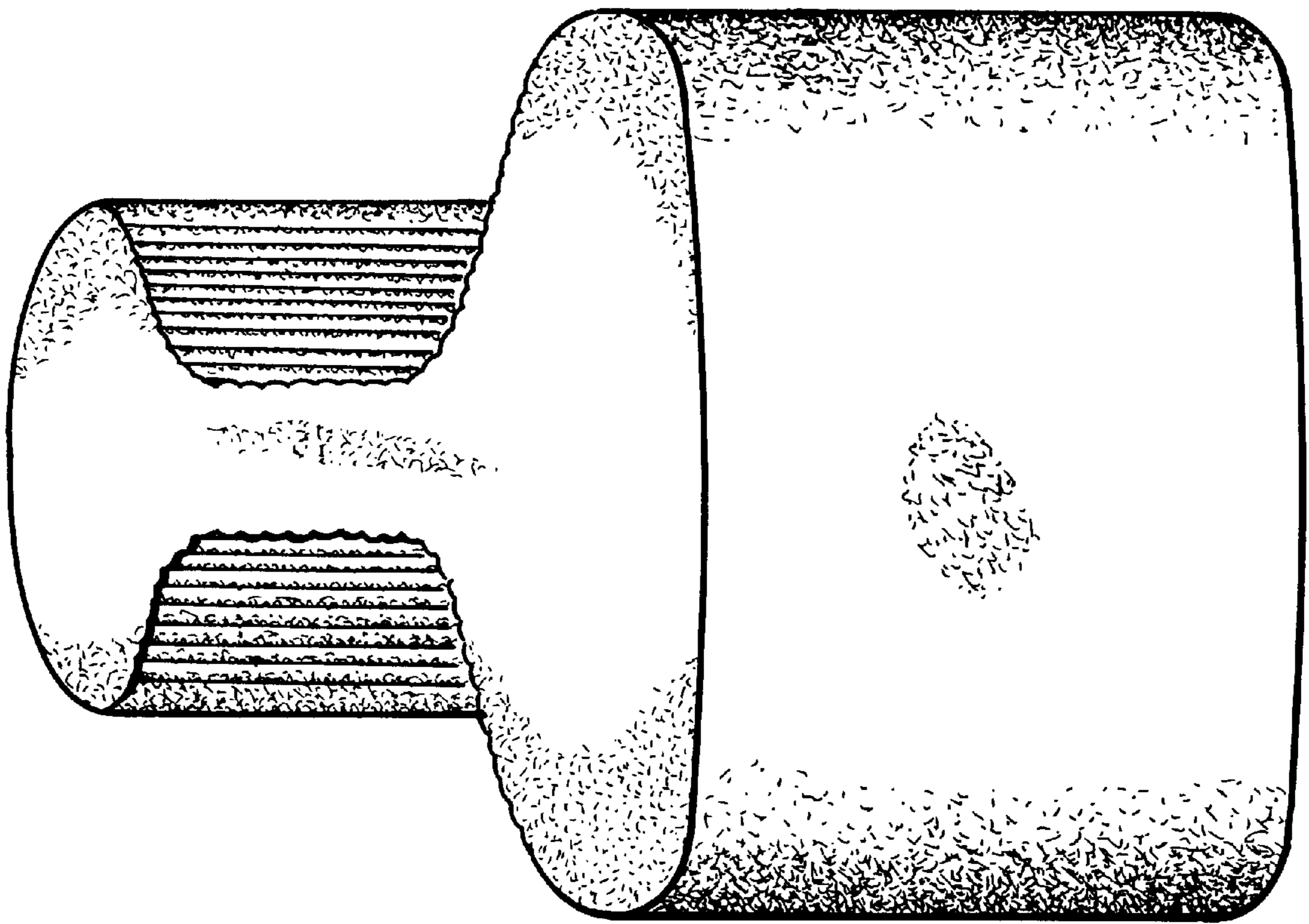


FIG. 5.