



US00D408669S

United States Patent [19] Kuo

[11] **Patent Number: Des. 408,669**

[45] **Date of Patent: **Apr. 27, 1999**

[54] MOUNT FOR TOWEL HOLDER

[76] Inventor: **Kuo-Yung Kuo**, No. 1, Alley 85, Lane 816, Chung-Shan Rd., Shen-Kang Hsiang, Taichung Hsien, Taiwan

[**] Term: **14 Years**

[21] Appl. No.: **29/088,531**

[22] Filed: **May 26, 1998**

[51] **LOC (6) Cl.** **07-07**

[52] **U.S. Cl.** **D6/550; D6/546**

[58] **Field of Search** D6/524, 540, 546-550, D6/518, 522, 523; D8/349, 354, 365, 373, 380; 211/13.1, 86-87, 16, 44, 105.1, 123, 182, 183; 248/200, 231.91, 251, 222.1, 224.3

[56] **References Cited**

U.S. PATENT DOCUMENTS

D. 286,963	12/1986	Waghorn	D6/549
D. 299,099	12/1988	Gresens et al.	D6/550
D. 357,379	4/1995	Lehn et al.	D6/549
D. 357,838	5/1995	Lehn et al.	D6/546
D. 374,361	10/1996	Lehn et al.	D6/524 X
D. 391,105	2/1998	Sharpe	D6/546
D. 393,166	4/1998	Sharpe	D6/524
D. 394,973	6/1998	Moore et al.	D6/550
4,907,771	3/1990	Wang	248/222.1

OTHER PUBLICATIONS

Baldwin Bath "Epic Accessories" Catalogue p. 3 "Georgetown" hardware set.

Primary Examiner—Brian N. Vinson
Attorney, Agent, or Firm—Skjerven, Morrill, MacPherson, Franklin & Friel LLP; Alan H. MacPherson

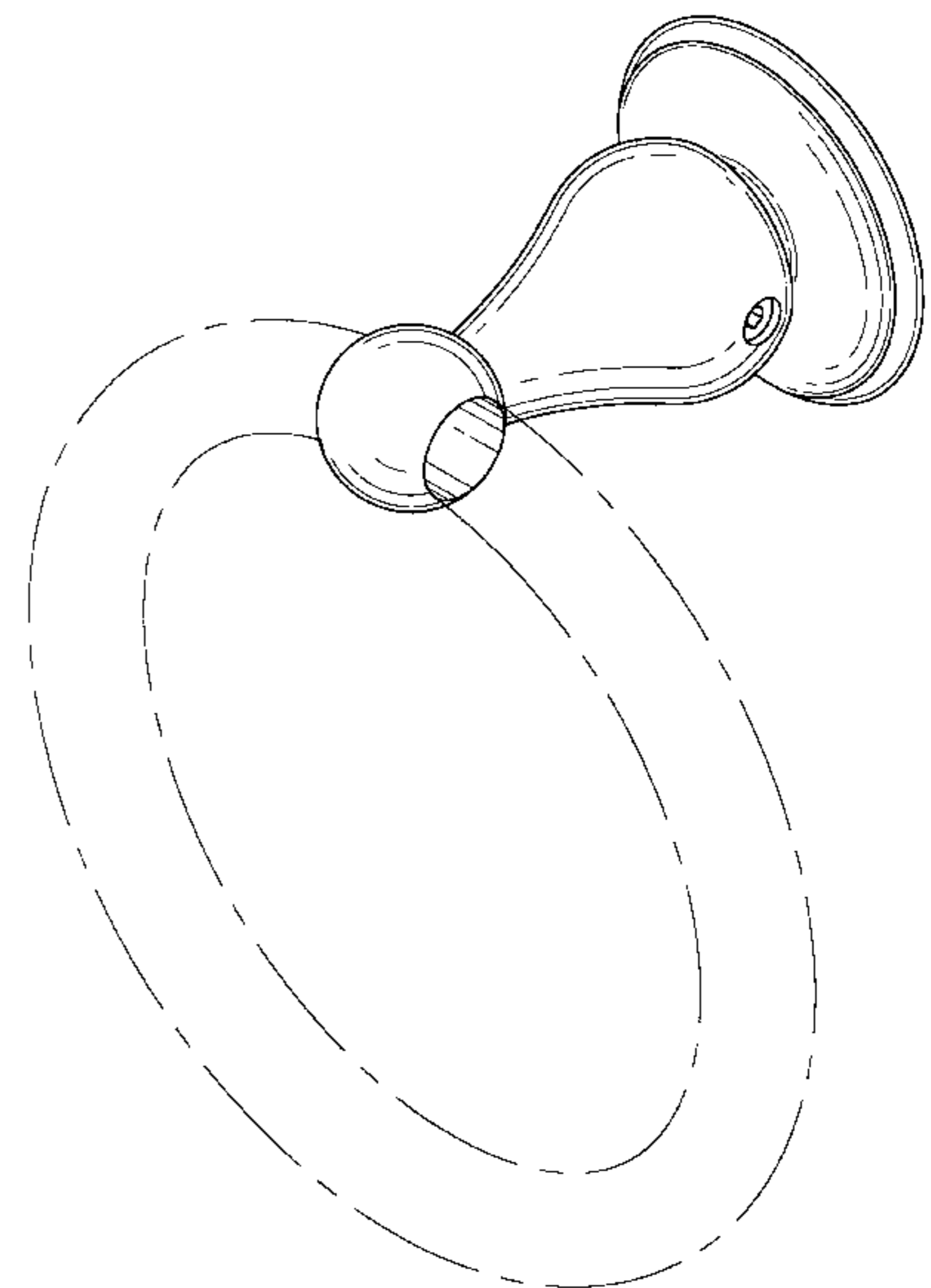
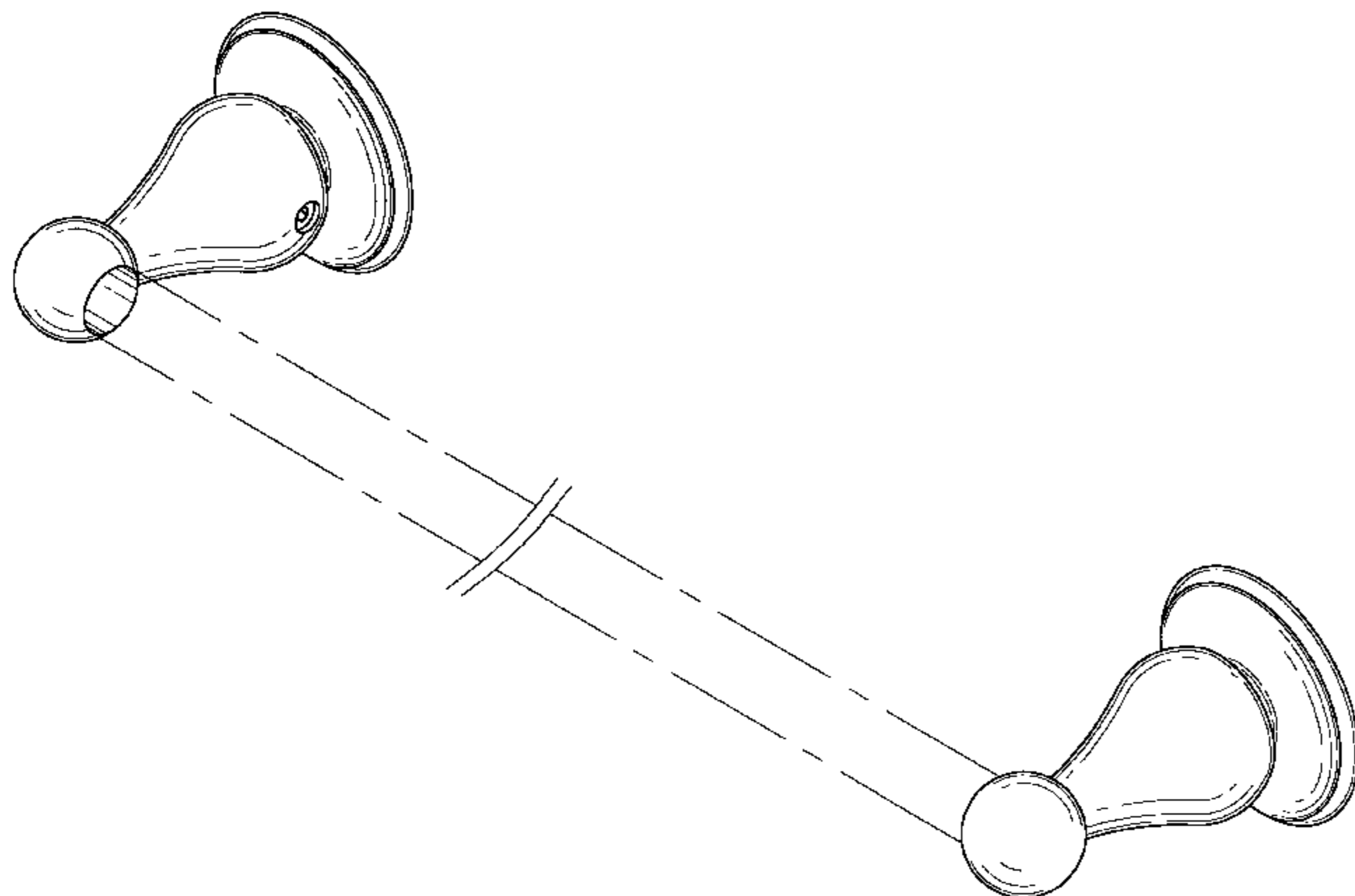
[57] **CLAIM**

The ornamental design for mount for towel holder, as shown and described.

DESCRIPTION

FIG. 1 is a perspective view of a mount for towel holder showing the first embodiment of my new design; FIG. 2 is a front elevational view thereof; FIG. 3 is a rear elevational view thereof; FIG. 4 is a left side elevational view thereof; FIG. 5 is a right side elevational view thereof; FIG. 6 is a top plan view thereof; FIG. 7 is a bottom plan view thereof; FIG. 8 is a perspective view of the second embodiment thereof, with the broken-line disclosure of a towel bar being for illustrative purposes only and forming no part of the claimed design; and, FIG. 9 is a perspective view of the first embodiment thereof, with the broken-line disclosure of a towel ring being for illustrative purposes only and forming no part of the claimed design.

1 Claim, 6 Drawing Sheets



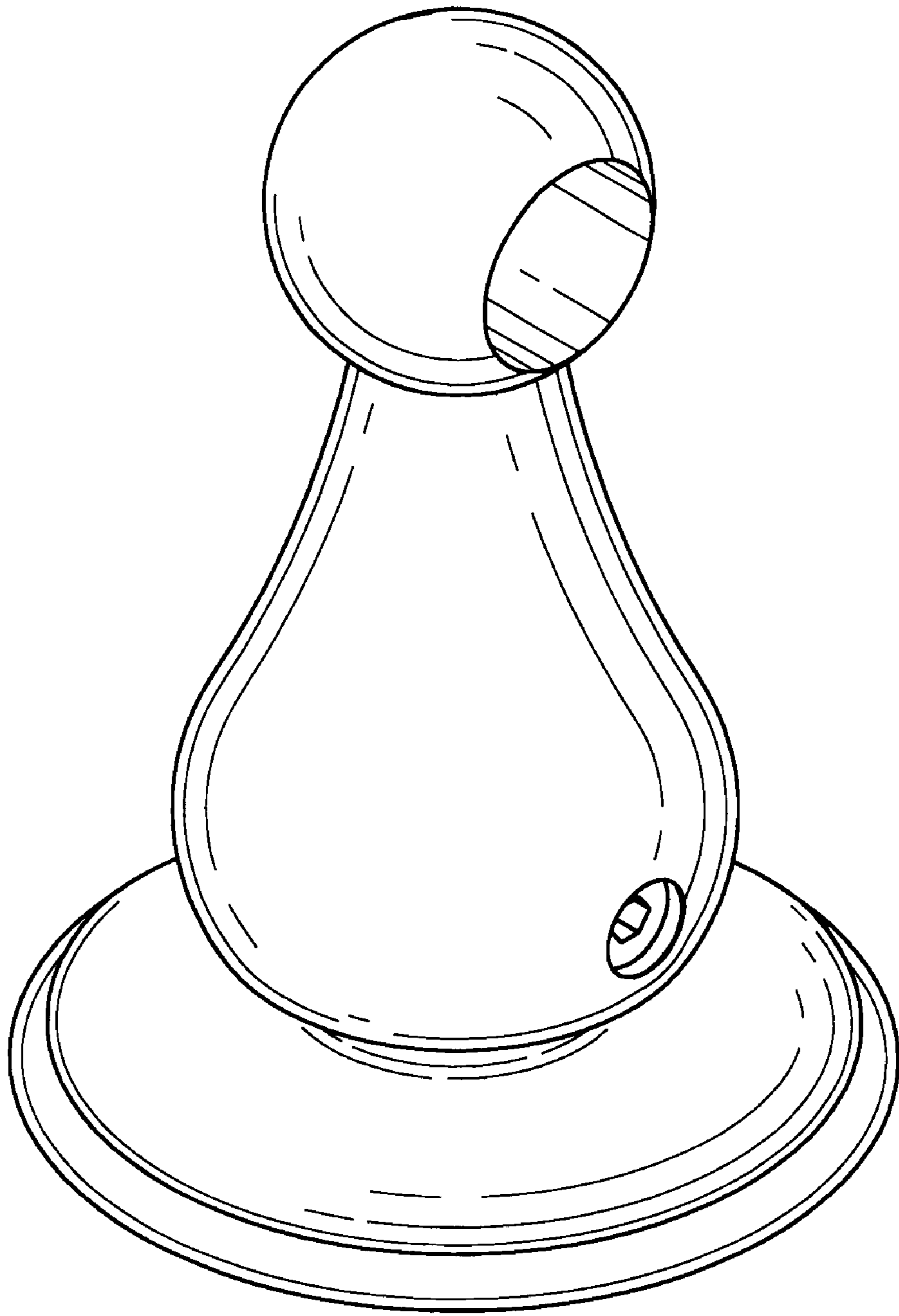


FIG. 1

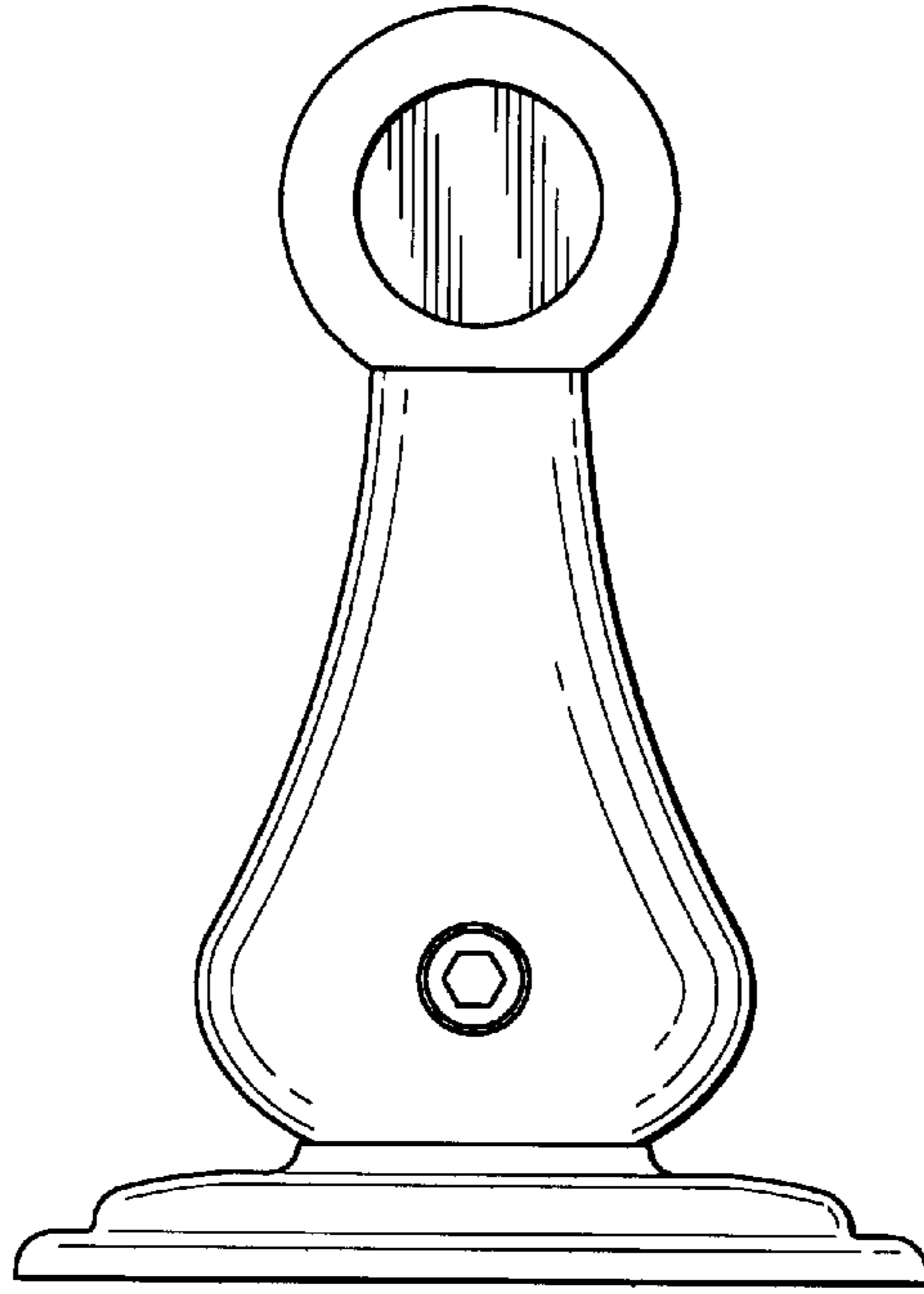


FIG. 2

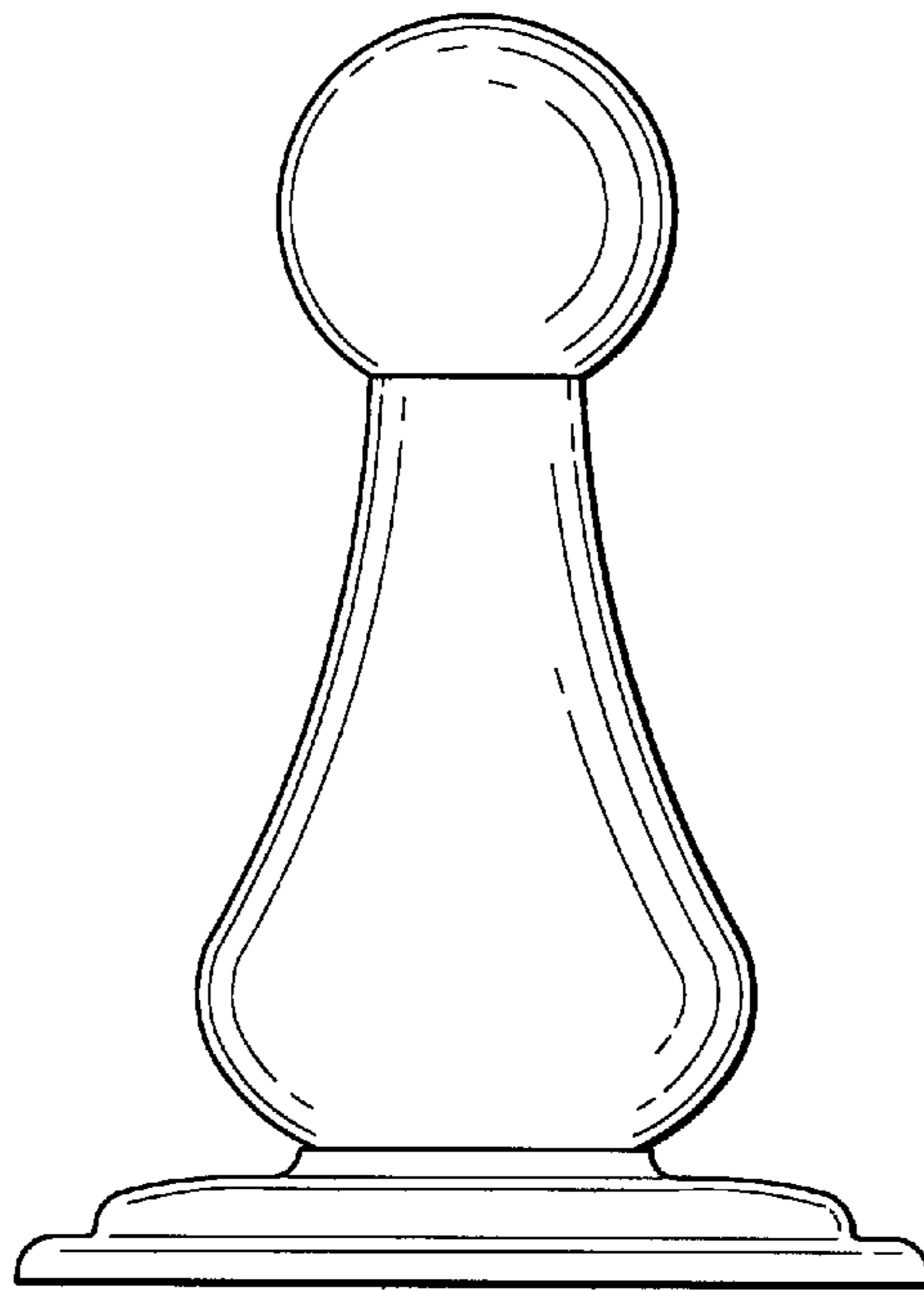


FIG. 3

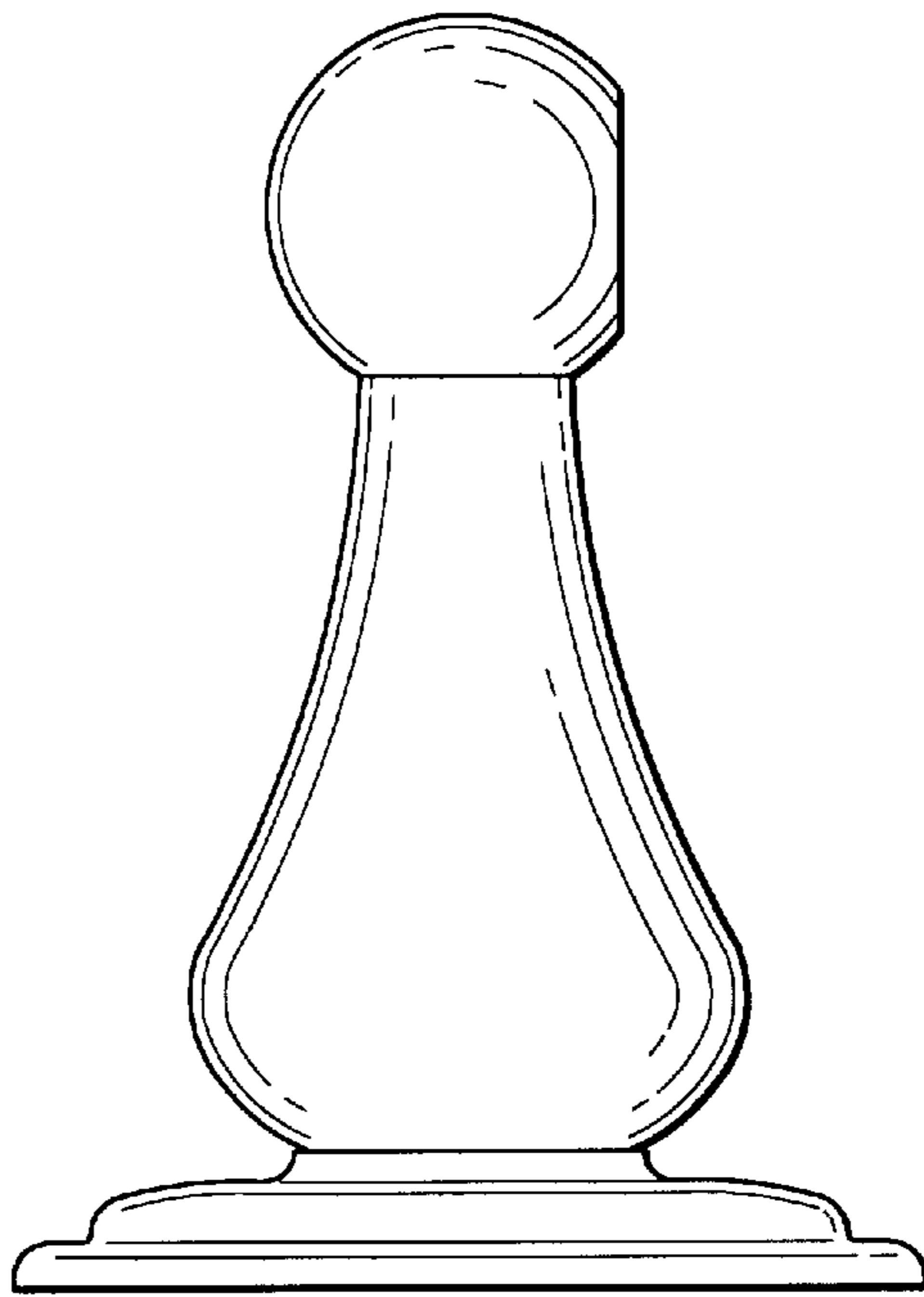


FIG. 4

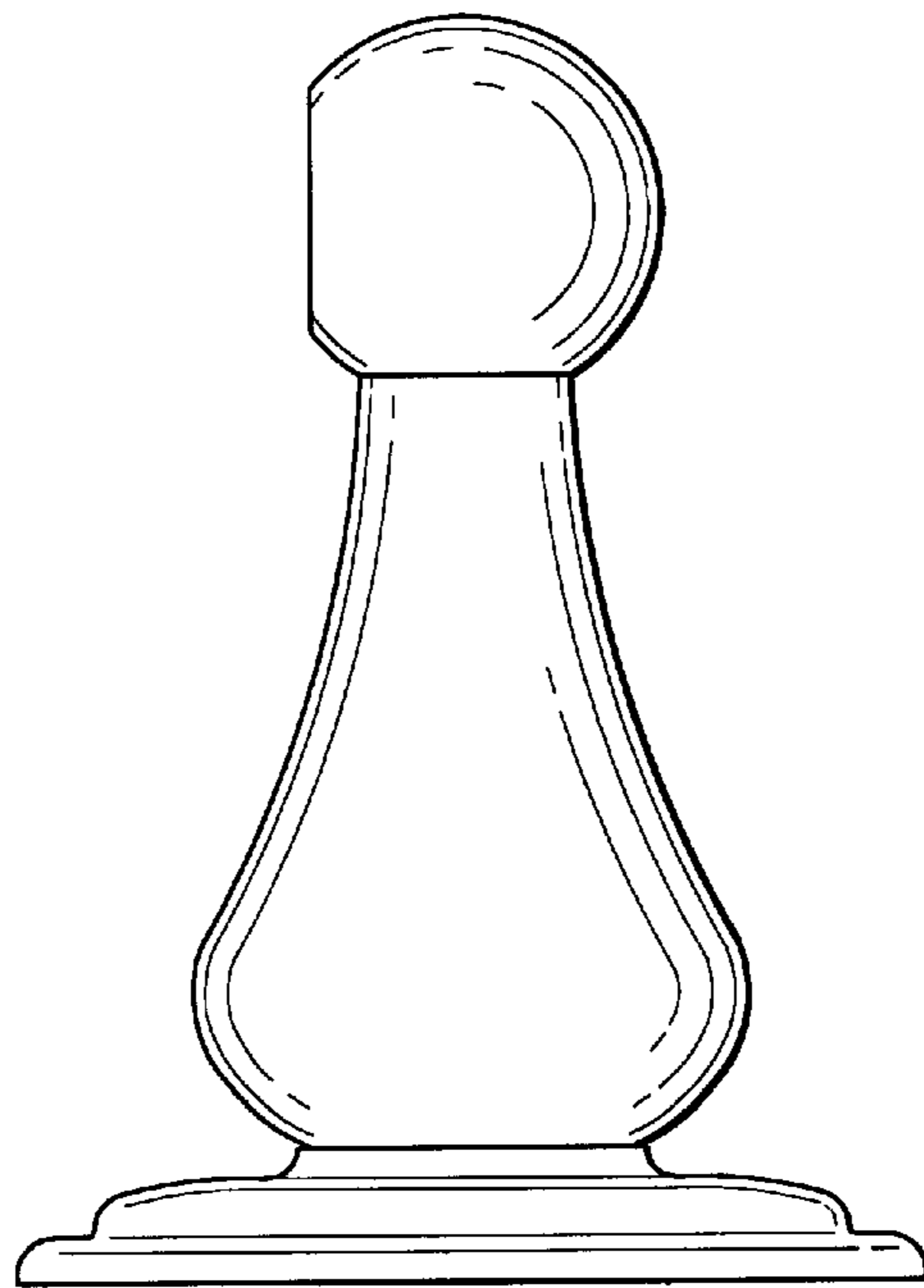


FIG. 5

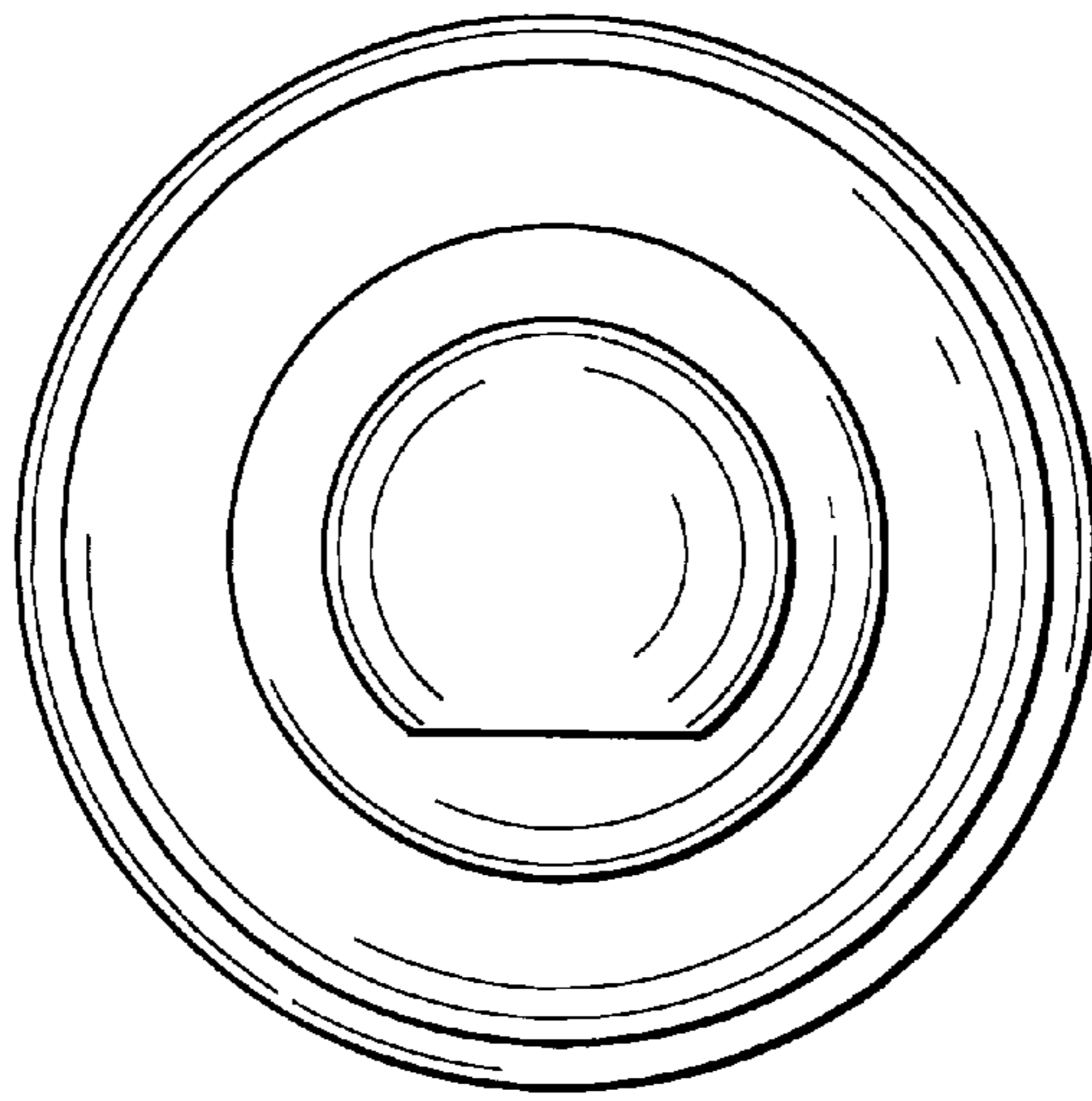


FIG. 6

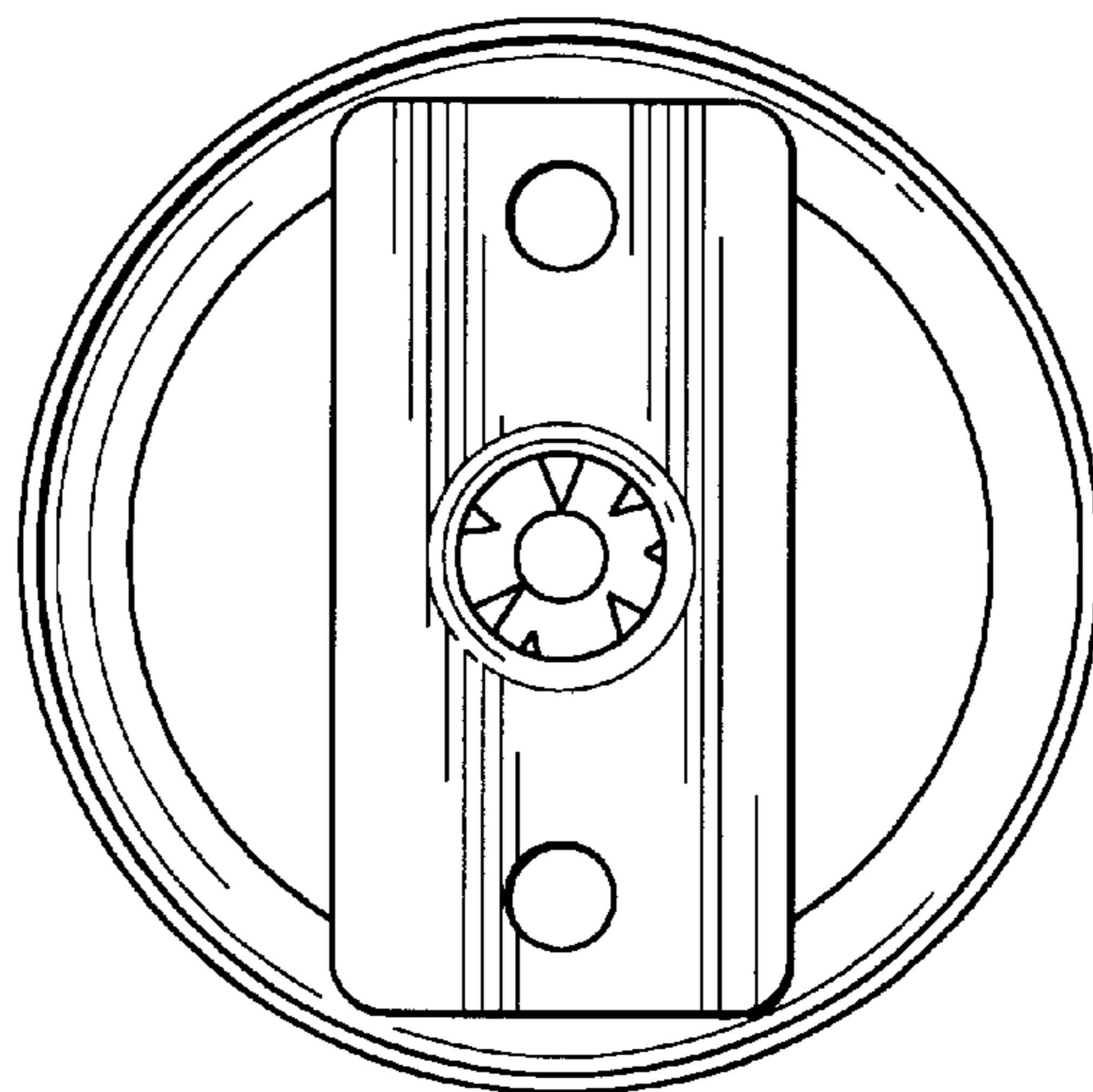


FIG. 7

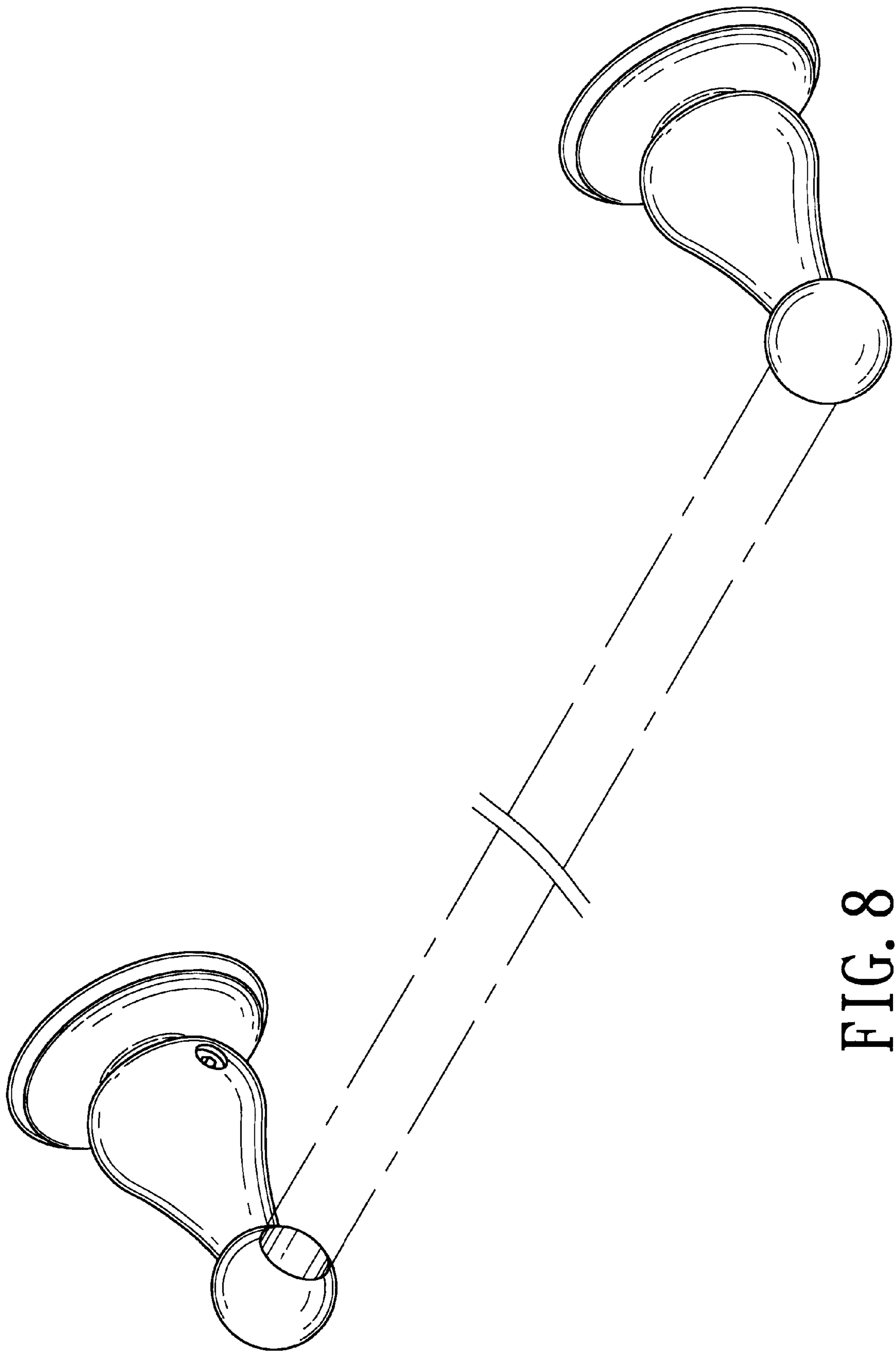


FIG. 8

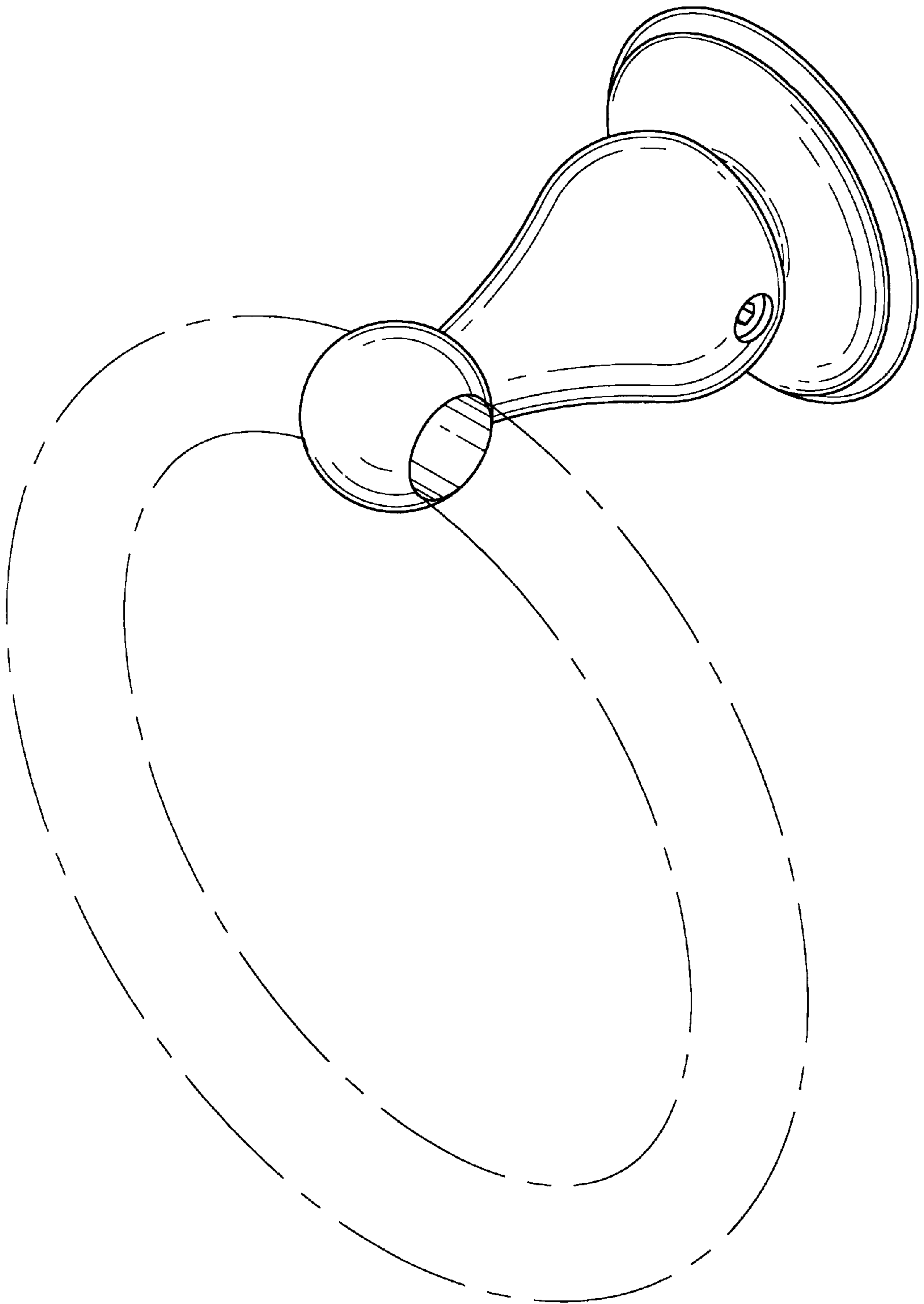


FIG. 9