



US00D408668S

# United States Patent [19]

Leykekmakher et al.

[11] Patent Number: Des. 408,668

[45] Date of Patent: \*\* Apr. 27, 1999

[54] WALL MOUNTED TOWEL HOLDER

[76] Inventors: Beril Volf Leykekmakher, 2400 E. 3rd St. Apt. #203, Brooklyn, N.Y. 11223; Anna Berenbaum, 2-37 29th St., Fair Lawn, N.J. 07410

[\*\*] Term: 14 Years

[21] Appl. No.: 29/088,919

[22] Filed: Jun. 2, 1998

[51] LOC (6) Cl. .... 07-07

[52] U.S. Cl. .... D6/549

[58] Field of Search ..... D6/546-550, 518, D6/522, 523; 211/123, 124, 182, 86-87, 105.1; 242/570, 598

[56] **References Cited**

U.S. PATENT DOCUMENTS

D. 378,644 4/1997 Jordan ..... D6/549

Primary Examiner—Brian N. Vinson  
Attorney, Agent, or Firm—B. Leykekmakher; A. Berenbaum

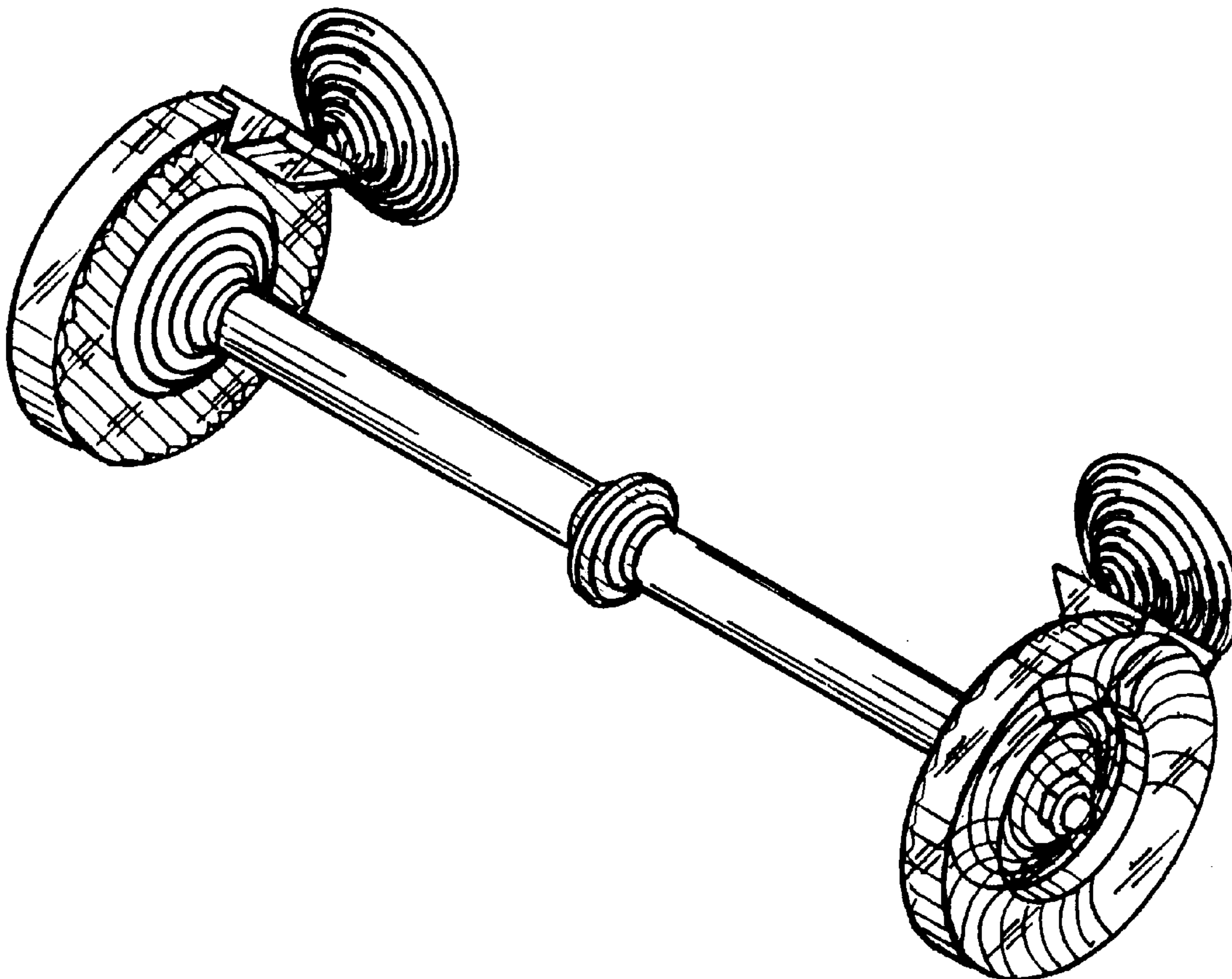
[57] **CLAIM**

The ornamental design for a wall mounted towel holder, as shown.

**DESCRIPTION**

FIG. 1 is a perspective view;  
FIG. 2 is a front elevational view;  
FIG. 3 is a rear view;  
FIG. 4 is a left side view; and,  
FIG. 5 is a cross section view taken along line 5—5.

1 Claim, 2 Drawing Sheets



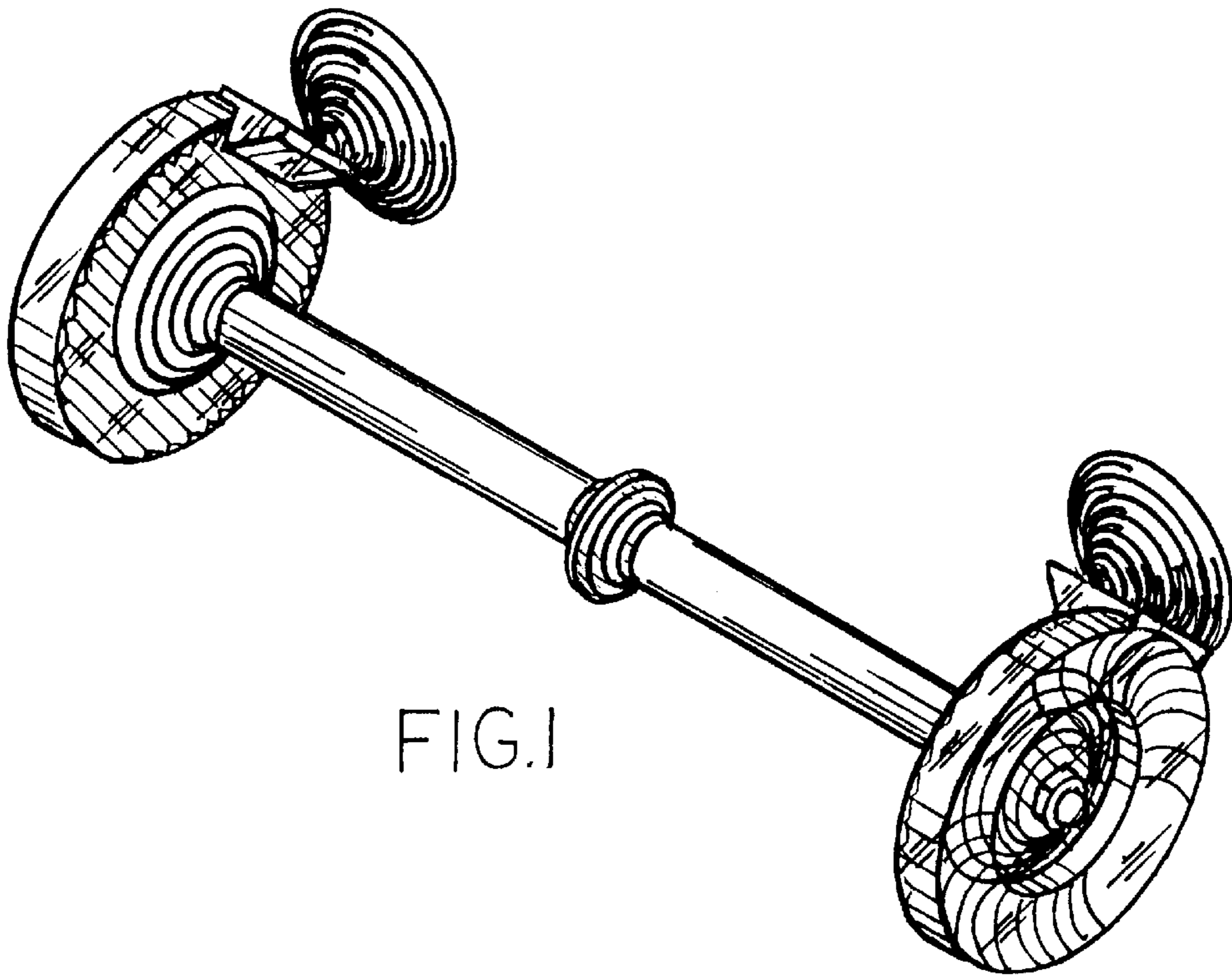


FIG. 1

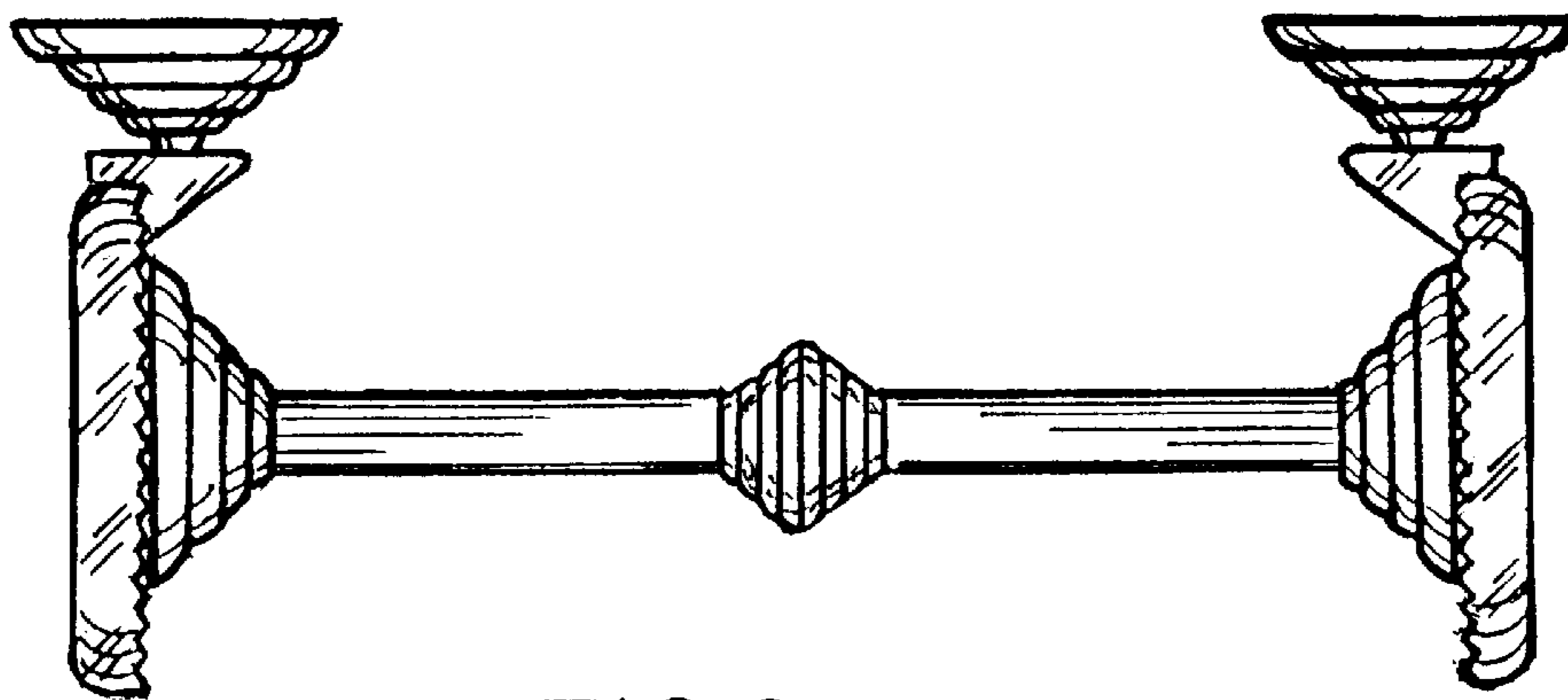


FIG. 2

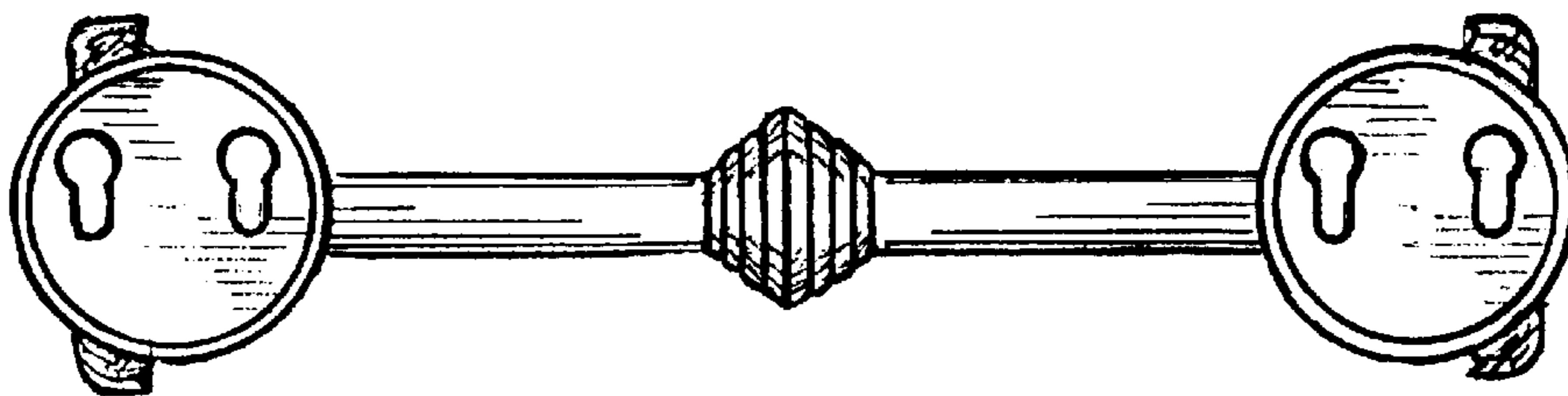


FIG. 3

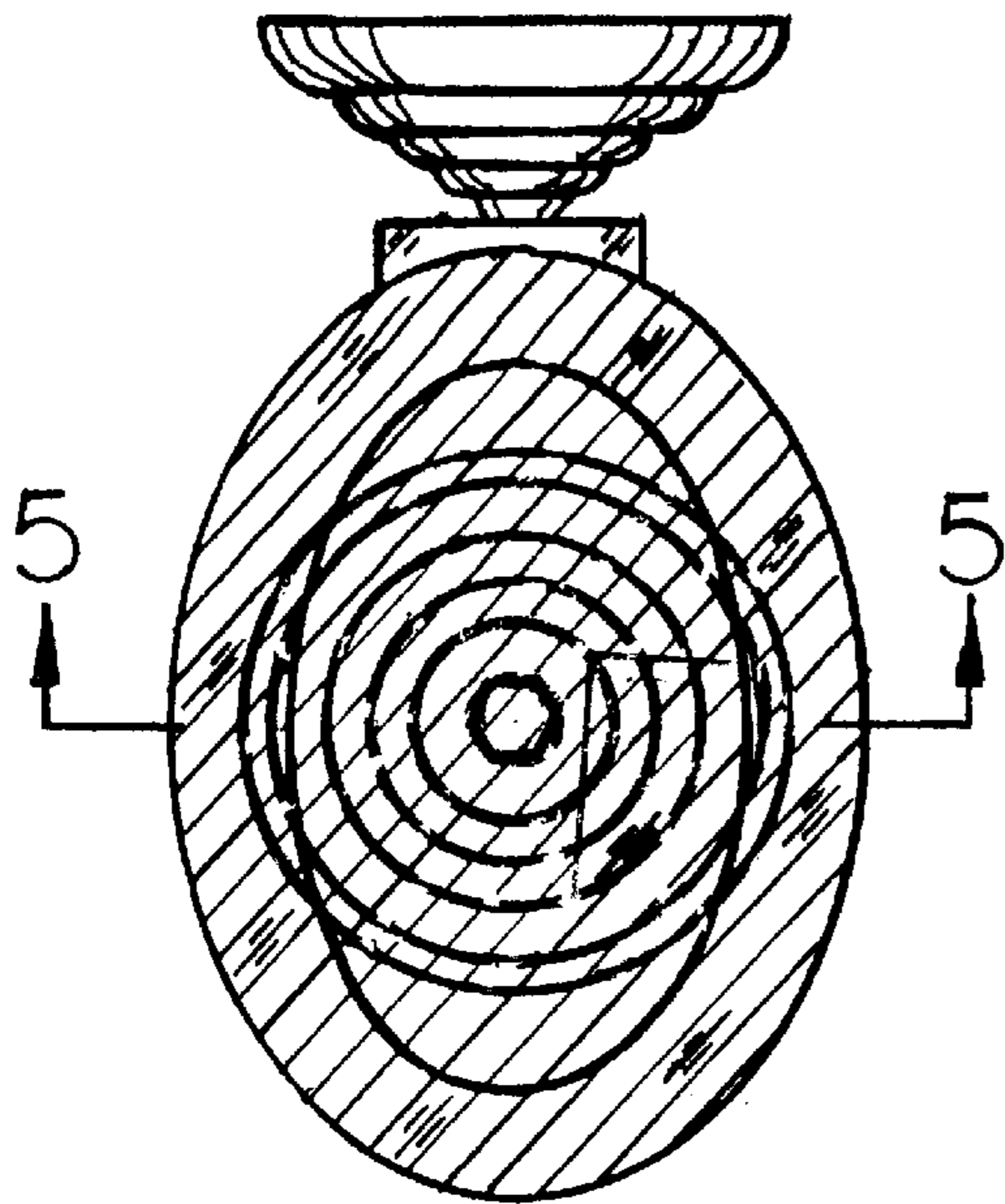


FIG. 4

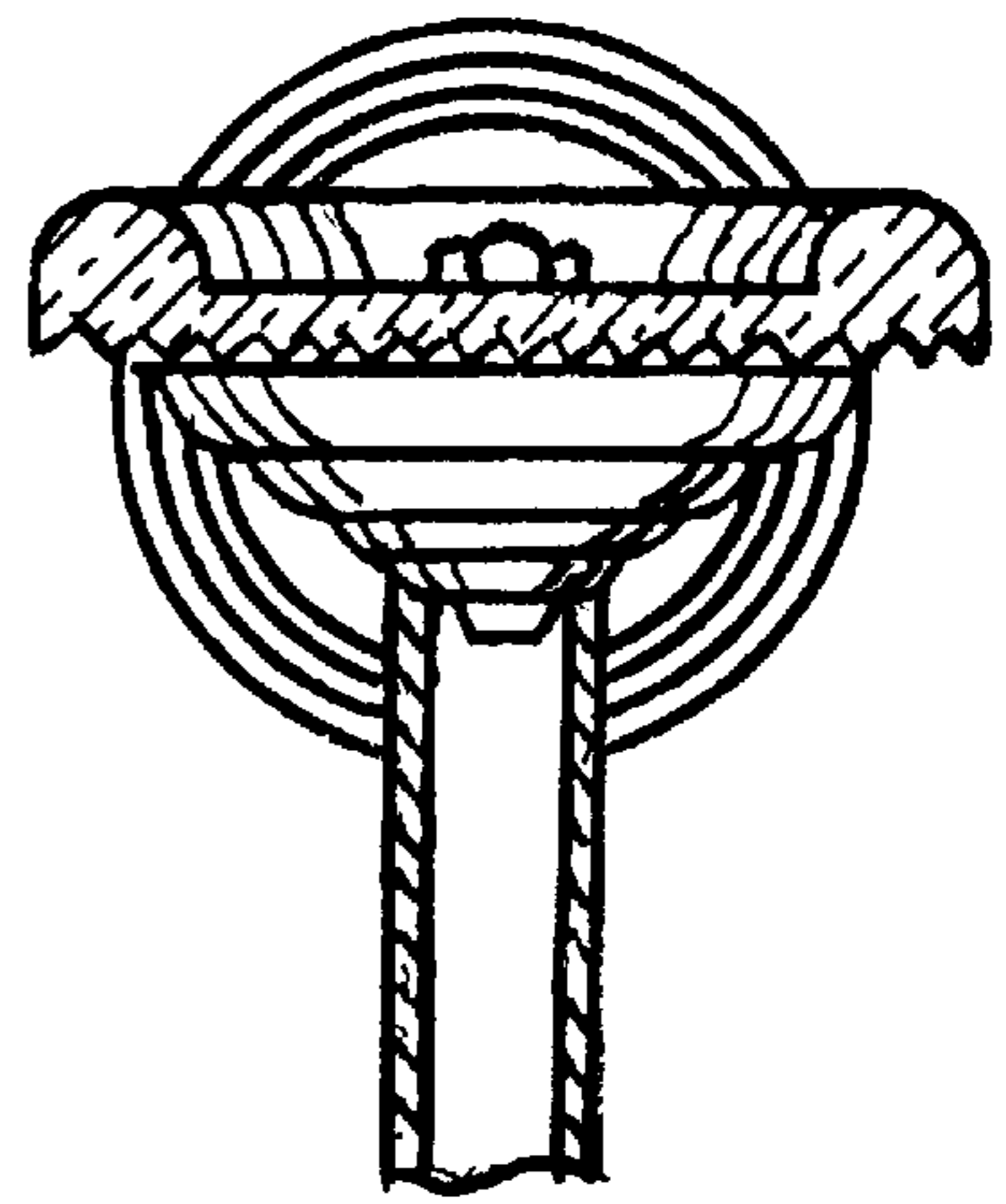


FIG. 5