



US00D408666S

# United States Patent [19]

Sorensen et al.

[11] Patent Number: Des. 408,666

[45] Date of Patent: \*\*\*Apr. 27, 1999

## [54] CEILING RACK FOR POTS, PANS AND UTENSILS

[75] Inventors: **Richard T. Sorensen**, Chemicum;  
**Craig A. Carroll**, Port Townsend, both of Wash.

[73] Assignee: **Enclume Design Products, Inc.**, Port Hadlock, Wash.

[\*] Notice: This patent is subject to a terminal disclaimer.

[\*\*] Term: **14 Years**

[21] Appl. No.: **29/087,062**

[22] Filed: **Apr. 24, 1998**

[51] LOC (6) Cl. .... **08-08**

[52] U.S. Cl. .... **D6/513; D7/638**

[58] Field of Search ..... D6/512-514; 211/13.1, 211/71-72, 86, 113, 119, 181.1, 182; 248/200, 214, 215, 302, 303, 309.1, 317, 339; D7/638

## [56] References Cited

### U.S. PATENT DOCUMENTS

D. 392,133 3/1998 Chen ..... D6/513  
4,714,166 12/1987 Hann et al. .... 211/113

## OTHER PUBLICATIONS

Enclume brochure depicting prior art ceiling racks pub'd prior to filing date.  
Chantal Cookware Corp. brochure depicting prior art Chantal pot rack pub'd prior to filing date.

*Primary Examiner*—Brian N. Vinson  
*Attorney, Agent, or Firm*—Klarquist Sparkman Campbell Leigh & Whinston, LLP

## [57] CLAIM

The ornamental design for a ceiling rack for pots, pans and utensils, as shown and described.

## DESCRIPTION

FIG. 1 is a perspective view of a ceiling rack in accordance with the present invention.

FIG. 2 is a side view of the ceiling rack of FIG. 1 looking from the right side of FIG. 1, it being understood that the side view from the left side is a mirror image of the view shown in FIG. 2.

FIG. 3 is a top view of the ceiling rack of FIG. 1.

FIG. 4 is a front view of the ceiling rack of FIG. 1, it being understood that the rear view is the same as the front view except that the fastener heads visibly shown in the front view are typically not shown in the rear view; and,

FIG. 5 illustrates a bottom view of the ceiling rack of FIG. 1.

**1 Claim, 2 Drawing Sheets**

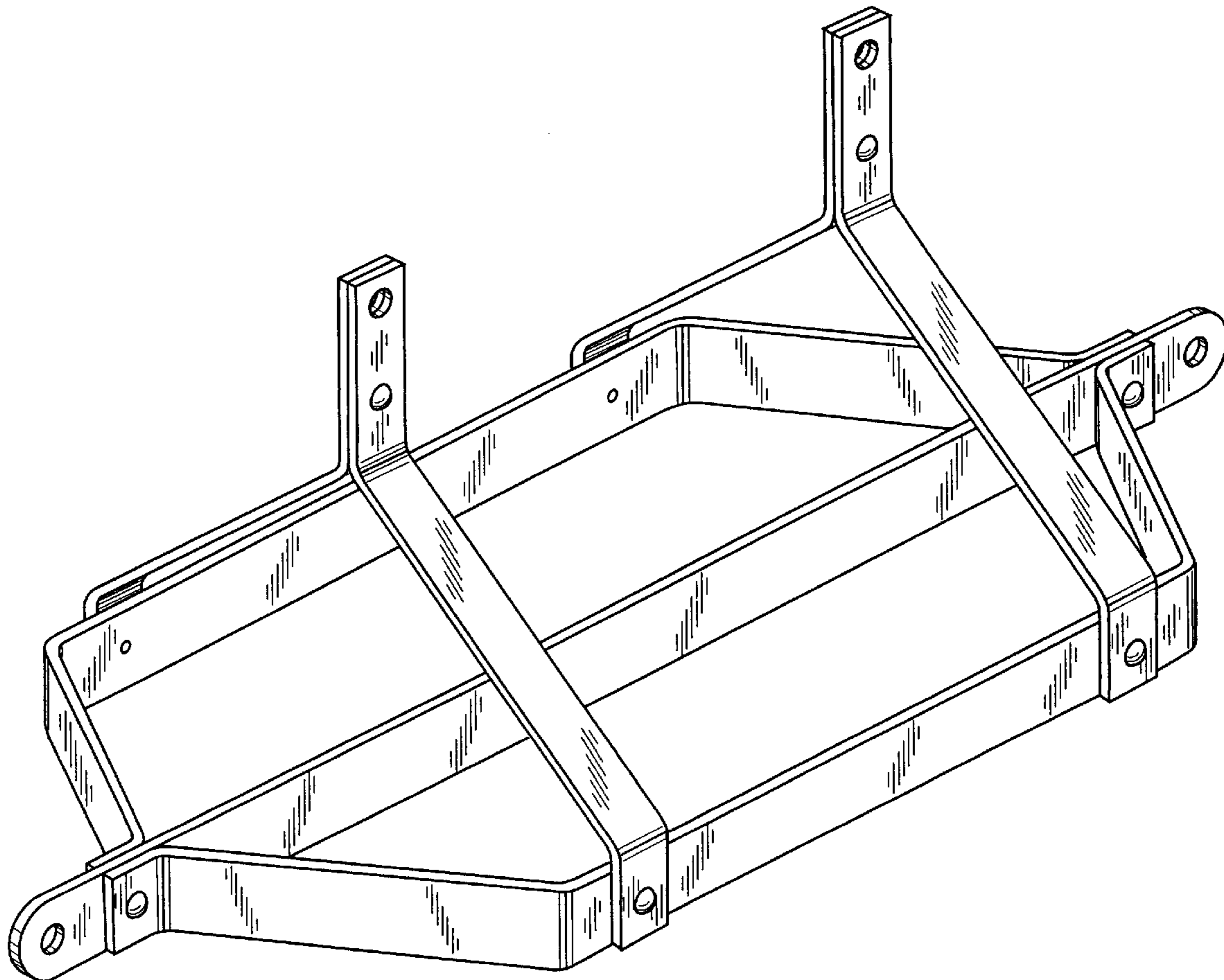


FIG. 1

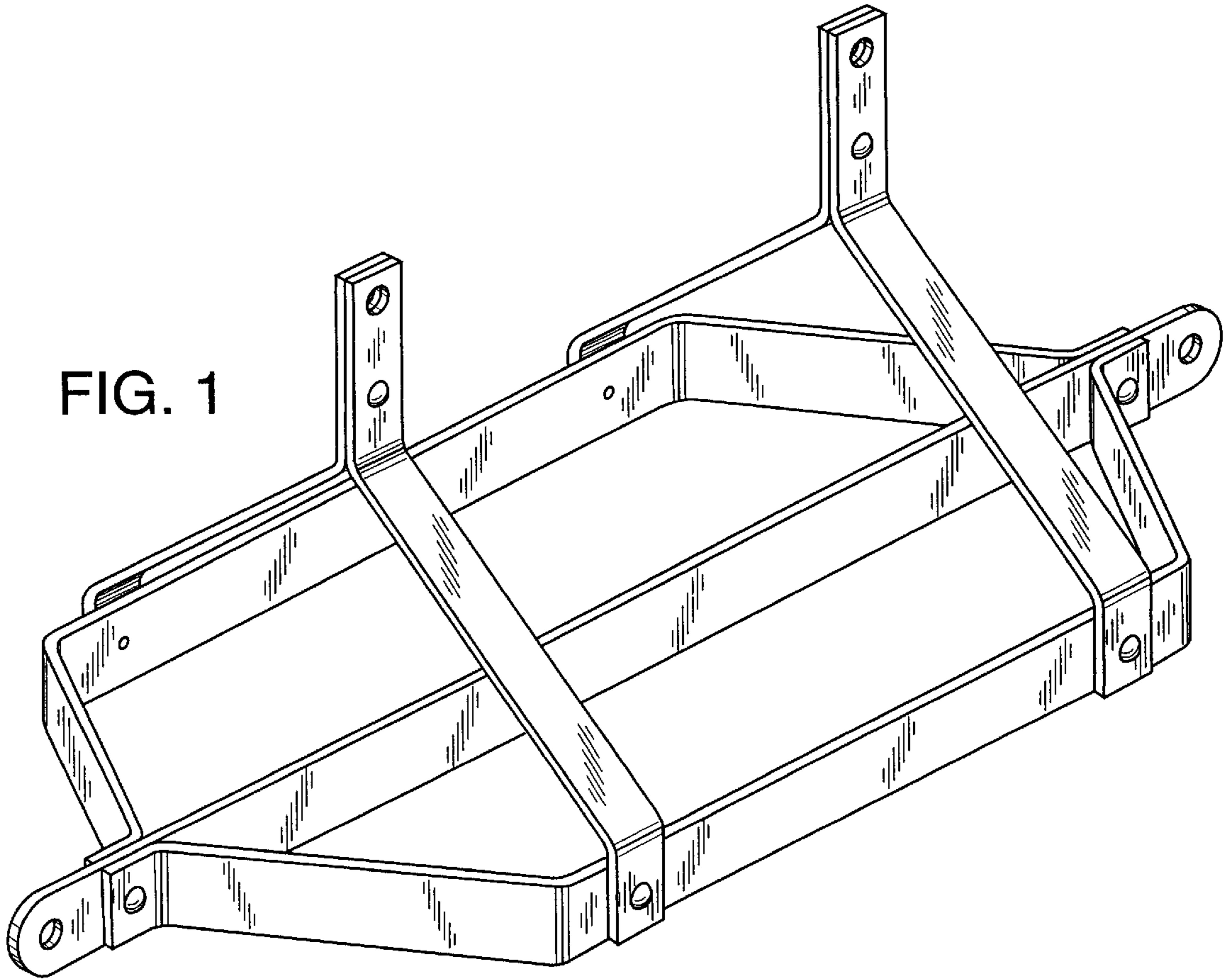


FIG. 2

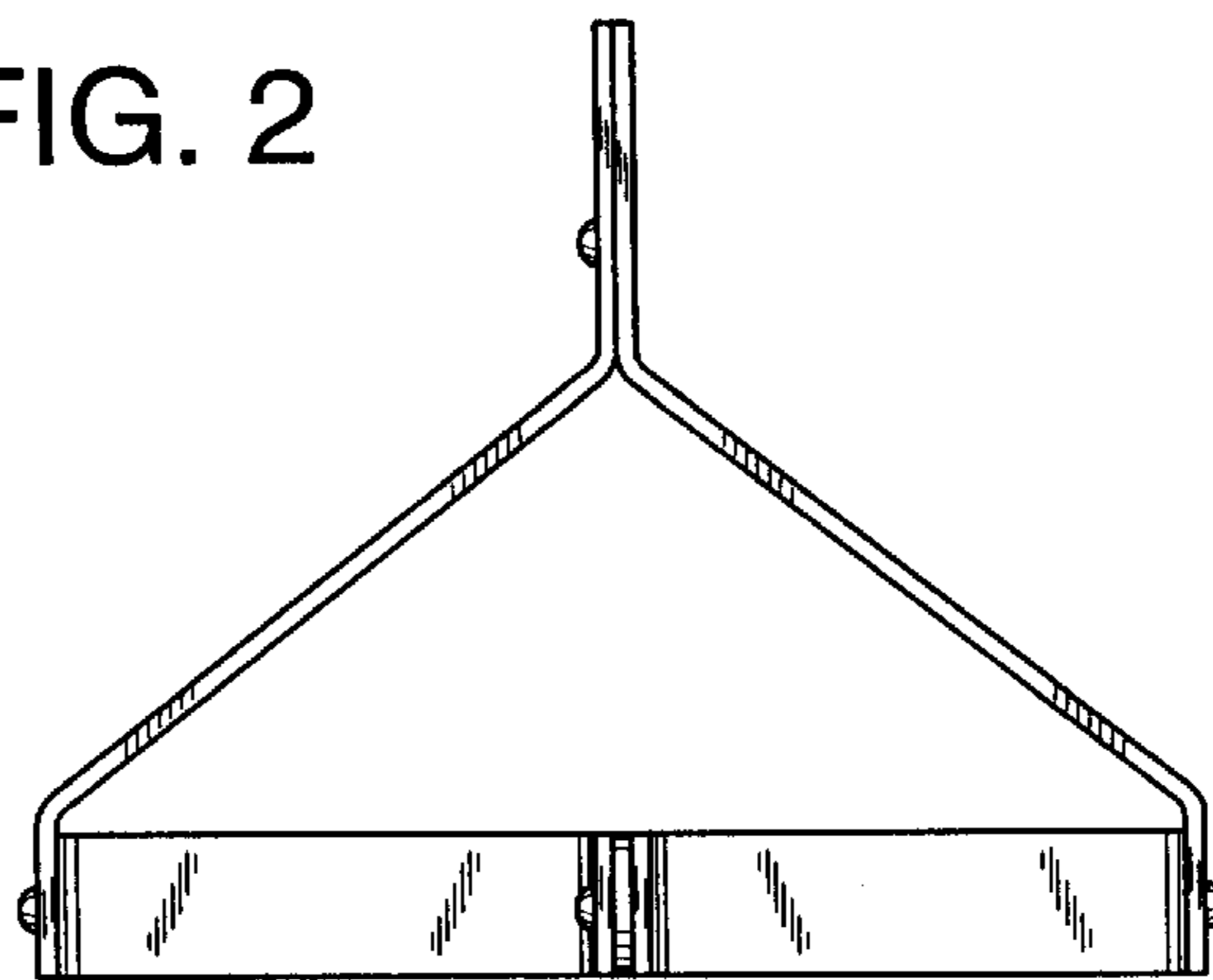


FIG. 3

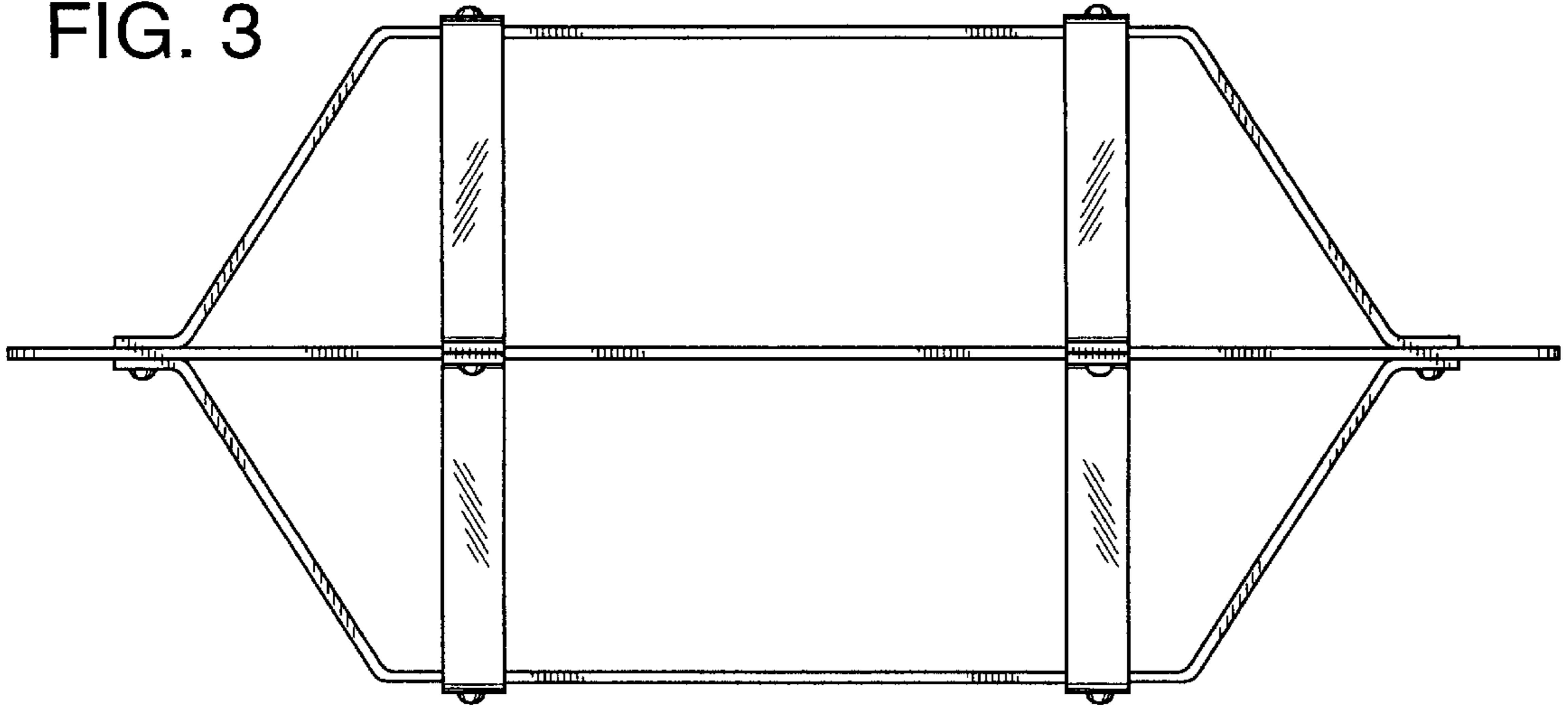


FIG. 4

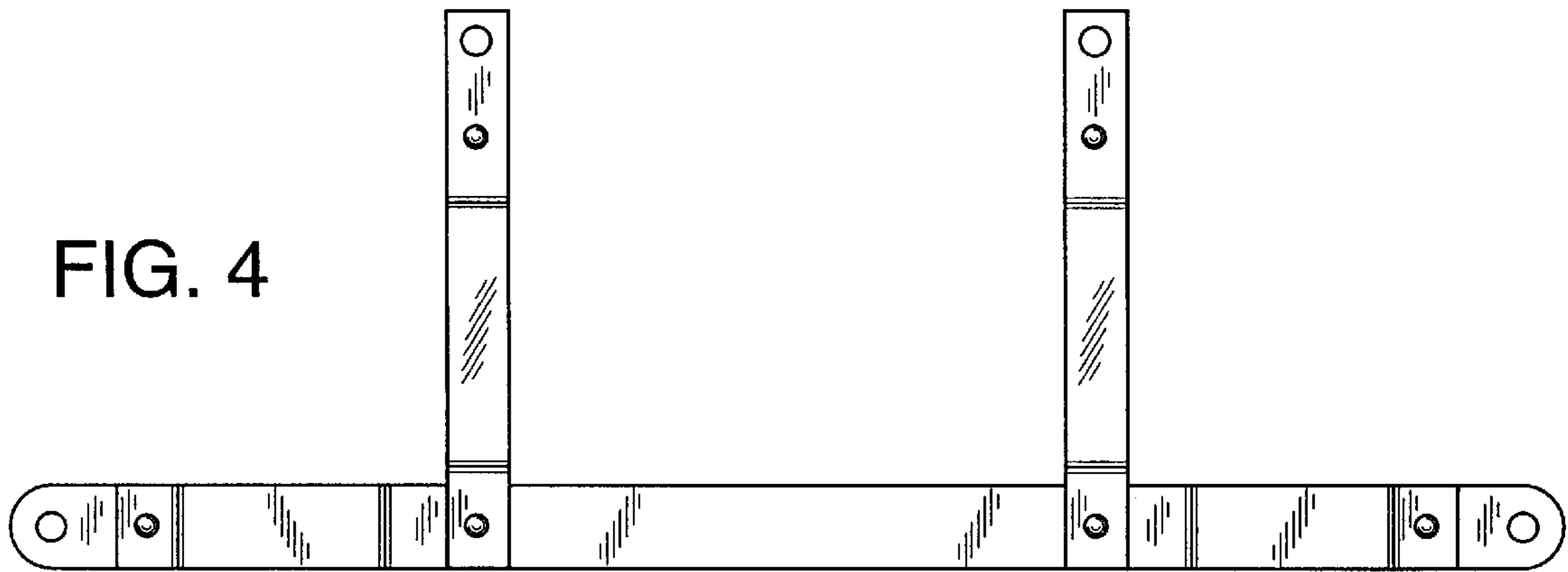
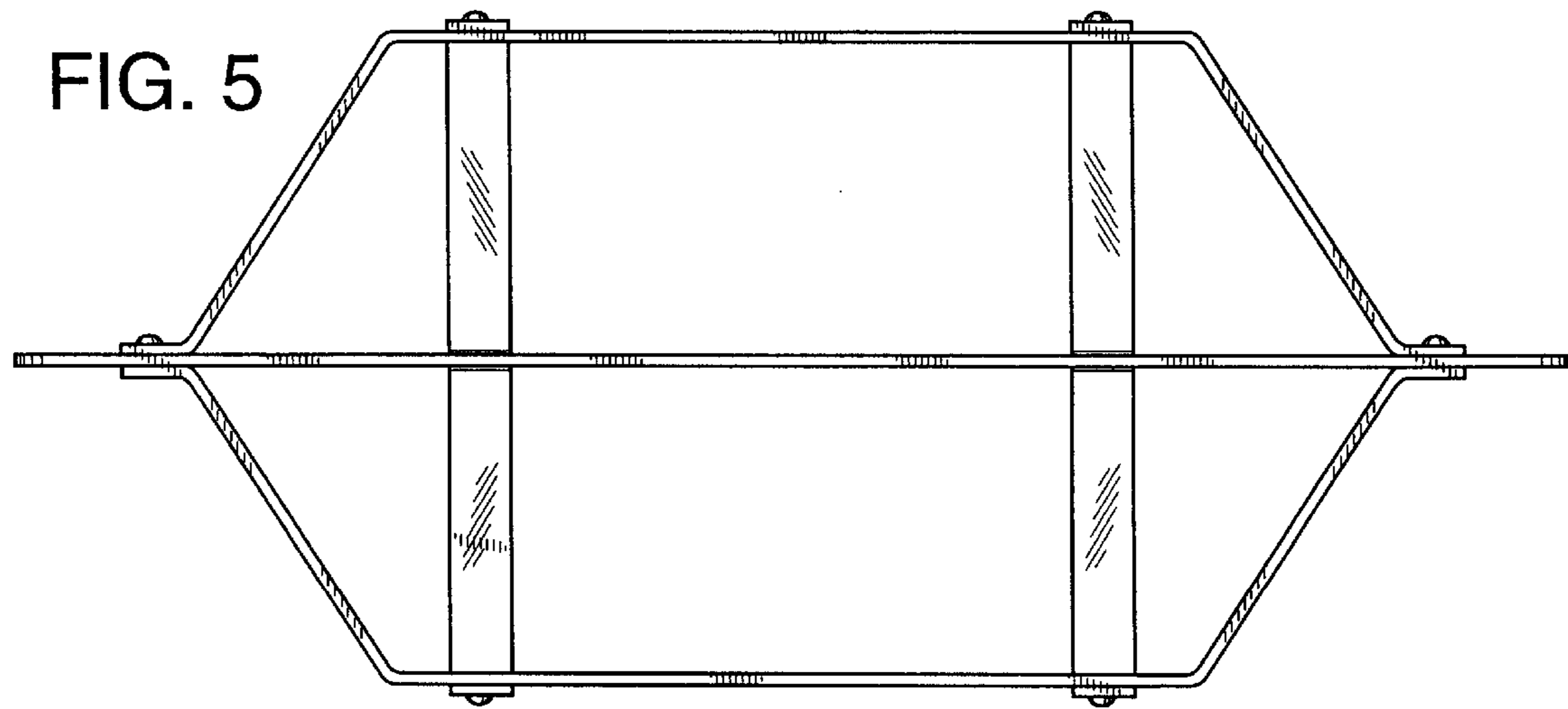


FIG. 5



UNITED STATES PATENT AND TRADEMARK OFFICE  
**CERTIFICATE OF CORRECTION**

PATENT NO. : Des. 408,666  
DATED : April 27, 1999  
INVENTOR(S) : Sorensen et al.

Page 1 of 1

It is certified that error appears in the above-identified patent and that said Letters Patent is hereby corrected as shown below:

Title page,

Item [\*], Notice, "This patent is subject to a terminal disclaimer" is erroneous and should be deleted.

**DESCRIPTION,**

Line 11, FIG. 4, "view; and," should be changed to -- view. --.

Signed and Sealed this

Twenty-second Day of October, 2002

*Attest:*

A handwritten signature in black ink, appearing to read "James E. Rogan", with a horizontal line drawn underneath it.

*Attesting Officer*

JAMES E. ROGAN  
*Director of the United States Patent and Trademark Office*