



US00D408663S

United States Patent [19] Kemnitzer

[11] **Patent Number: Des. 408,663**

[45] **Date of Patent: **Apr. 27, 1999**

[54] **CHAIR ARM**

[75] Inventor: **Ronald B. Kemnitzer**, Olathe, Kans.

[73] Assignee: **Paoli, Inc.**, Orleans, Ind.

[**] Term: **14 Years**

[21] Appl. No.: **29/089,009**

[22] Filed: **Jun. 5, 1998**

[51] **LOC (6) Cl.** **06-06**

[52] **U.S. Cl.** **D6/501**

[58] **Field of Search** D6/334, 374, 379,
D6/380, 500, 501, 502; 297/239, 411.2,
445.1, 446.1

[56] **References Cited**

U.S. PATENT DOCUMENTS

D. 99,556	5/1936	Smith .	
D. 117,964	12/1939	Smith .	
D. 233,720	11/1974	Koepke .	
D. 238,321	1/1976	Lindau et al. .	
D. 258,706	3/1981	Lübke .	
D. 262,167	12/1981	Steinberger .	
D. 274,392	6/1984	Blodee .	
D. 308,143	5/1990	Lohmeyer .	
D. 321,617	11/1991	Kemnitzer .	
D. 355,081	2/1995	Scheper	D6/380
D. 355,308	2/1995	Marini	D06/374 X
D. 361,675	8/1995	Ruy	D6/379
D. 390,030	2/1998	Meijer	D06/379
D. 391,778	3/1998	Cretcher	D6/379
D. 393,161	4/1998	Dammerman et al.	D06/501
D. 400,023	10/1998	Olson	D6/379
4,471,995	9/1984	Wisniewski	297/411.2
4,595,235	6/1986	Leib	297/411.2

OTHER PUBLICATIONS

1983 Steelcase Brochure, The Snodgrass Collection, p. 14.
 Interiors, Jan. 1984, p. 96, Images of America, Inc. Chair.
 Domus, Jan. 1984, p. BBB, Item 36, Headboard.
 Interiors, May 1984, p. 33, Chairs at lower left.
 Interiors, May 1984, p. 34, top left Chair Arm.
 Interiors, Mar. 1985, p. 145.
 Versa Seating Stack Chairs, Krueger, Jun. 1985.

Ikea Catalog, Aug. 1986, p. 98, QAS72, Funktion Conference Chair.

Kreuger Contract Division brochure, Versa Seating. Gunlocke Bulletin C-190 Arm Chair, 1987, 8615CA and 8617CA.

Kineticcurrents, vol. 2, No. 1, Spring Issue 1987, p. 3. Designer West, Neocon 20 Preview, May 1988, p. 71, Item 460.

Lexis, A Neocon Twenty Introduction—Thonet, A Division of Shelby Williams Industries, Inc., 1988.

(List continued on next page.)

Primary Examiner—Gary D. Watson

Attorney, Agent, or Firm—Saidman DesignLaw Group

[57] **CLAIM**

The ornamental design for a chair arm, as shown and described.

DESCRIPTION

FIG. 1 is a perspective view of a chair arm showing my new design;

FIG. 2 is a rear view thereof;

FIG. 3 is a front view thereof;

FIG. 4 is a top view thereof;

FIG. 5 is a bottom view thereof;

FIG. 6 is a right side view thereof;

FIG. 7 is a left side view thereof;

FIG. 8 is a rear view of a second embodiment of my new design;

FIG. 9 is a front view thereof;

FIG. 10 is a top view thereof;

FIG. 11 is a bottom view thereof;

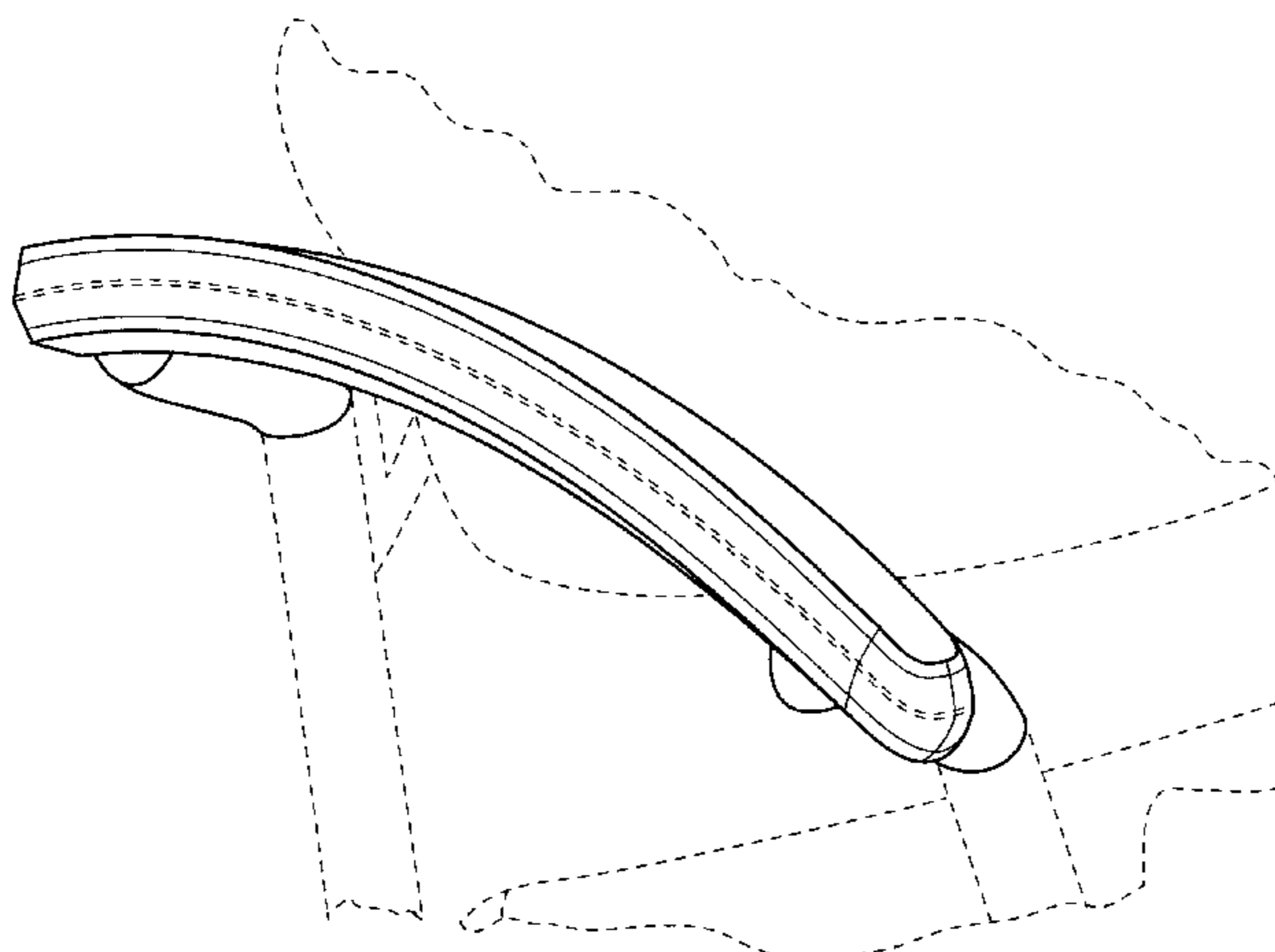
FIG. 12 is a right side view thereof; and,

FIG. 13 is a left side view thereof.

FIGS. 2 through 13 have been shown on an enlarged scale with respect to FIG. 1.

The broken lines are not part of the claimed design. The lines drawn on the arm of FIGS. 1—13 are shade lines and not surface decoration; the claimed design is for a product configuration only; surface decoration does not form part of the claimed design.

1 Claim, 11 Drawing Sheets



OTHER PUBLICATIONS

Staxis by Amotec/Lusa #ST2—Dr. Achille Baruffoldi believed to be published during Spring–Summer 1988.

Bola™ Brochure, Office Furniture Box C–17, Ron Kemnitzer Chair, Available Jan. 1989, Date of Brochure Nov. 1988.

Madison Furniture Industries, Metal A17/C92 Flux Series, A17B06, A18B06. undated.

Brayton International Collection—nikki; casala/oswald j. beck. undated.

Corbusier Chairs. undated.

Fixtures Furniture, Aug. 1991, Bola™ Chair, Office Furniture Box C–17.

Office Specialty, Geni Options, Geni tables and chairs, 1994.

Fixtures Furniture®—A Jami Company 1996 List Price Workbook, bola stack–gang chairs.

Fixtures Furniture®—A Jami Company Apr. 1997 Price Book, Bola chairs, p. 12.

Bent Wood and Metal Furniture 1850–1946, Edited by Derek E. Ostergard, The University of Washington Press, Rocking chair.

Brayton International, Guest Seating, No. 34071, designed by Joseph Lluscá, p. 65. undated.

Event seating, designed by Sumner Adams, p. 127. undated.

Haworth Improv Series, p. 37. undated.

Ikea catalog, Funktion Conference Chair, designed by Tomos Jelinek. undated.

Tonga Arm Chair. undated.

Versteel Companion Chair™. undated.

FIG. 1

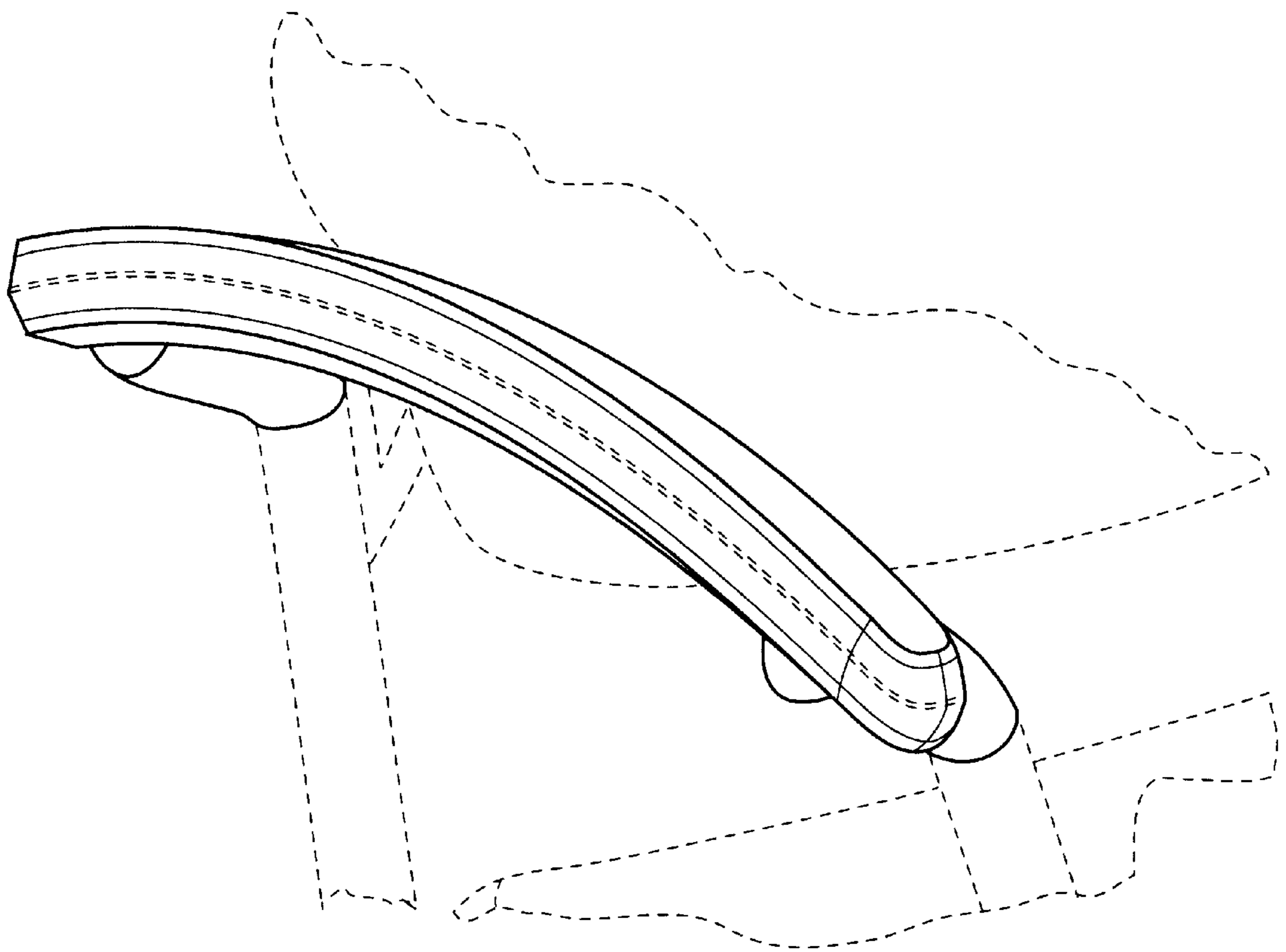


FIG. 2

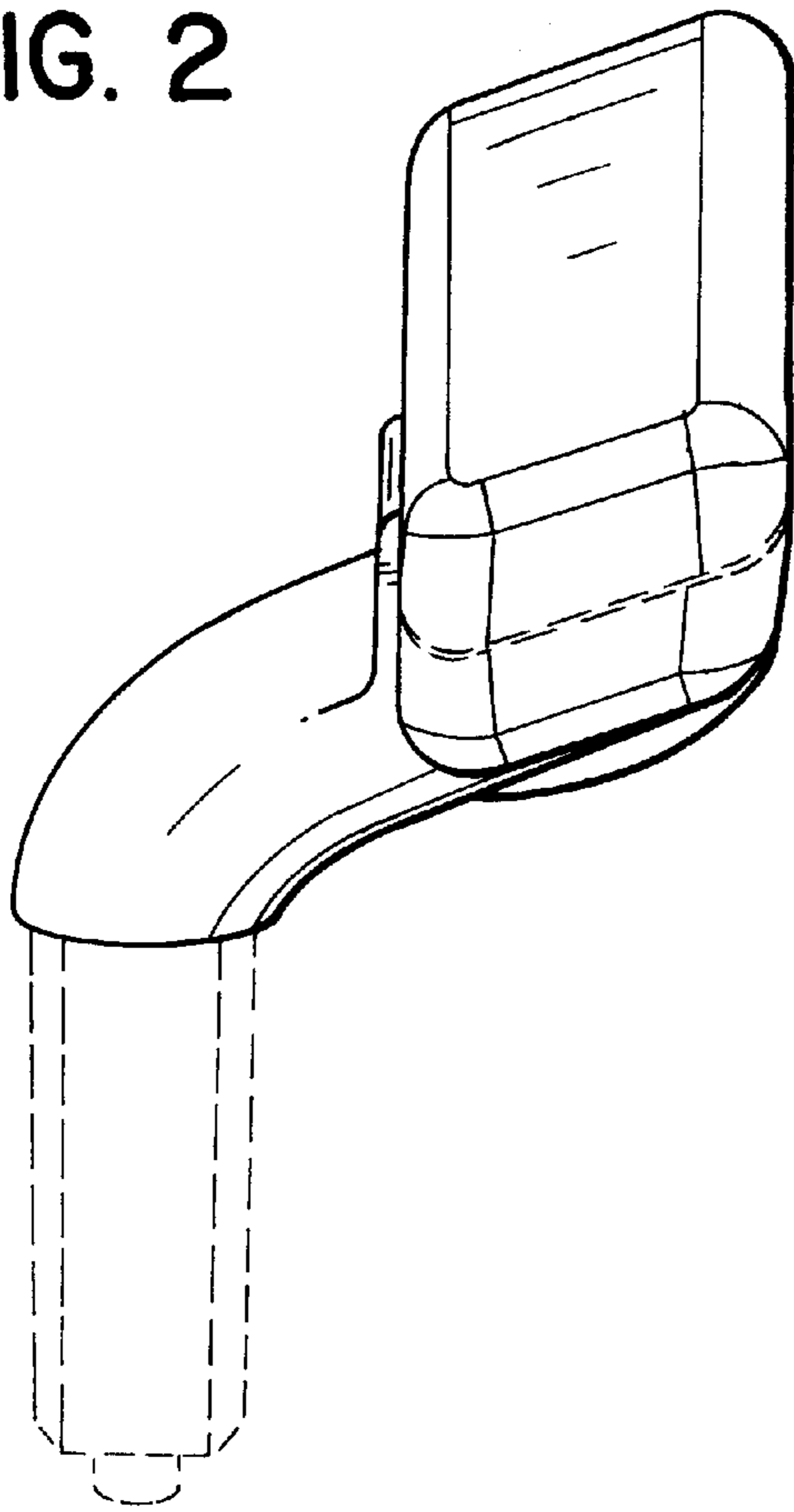


FIG. 3

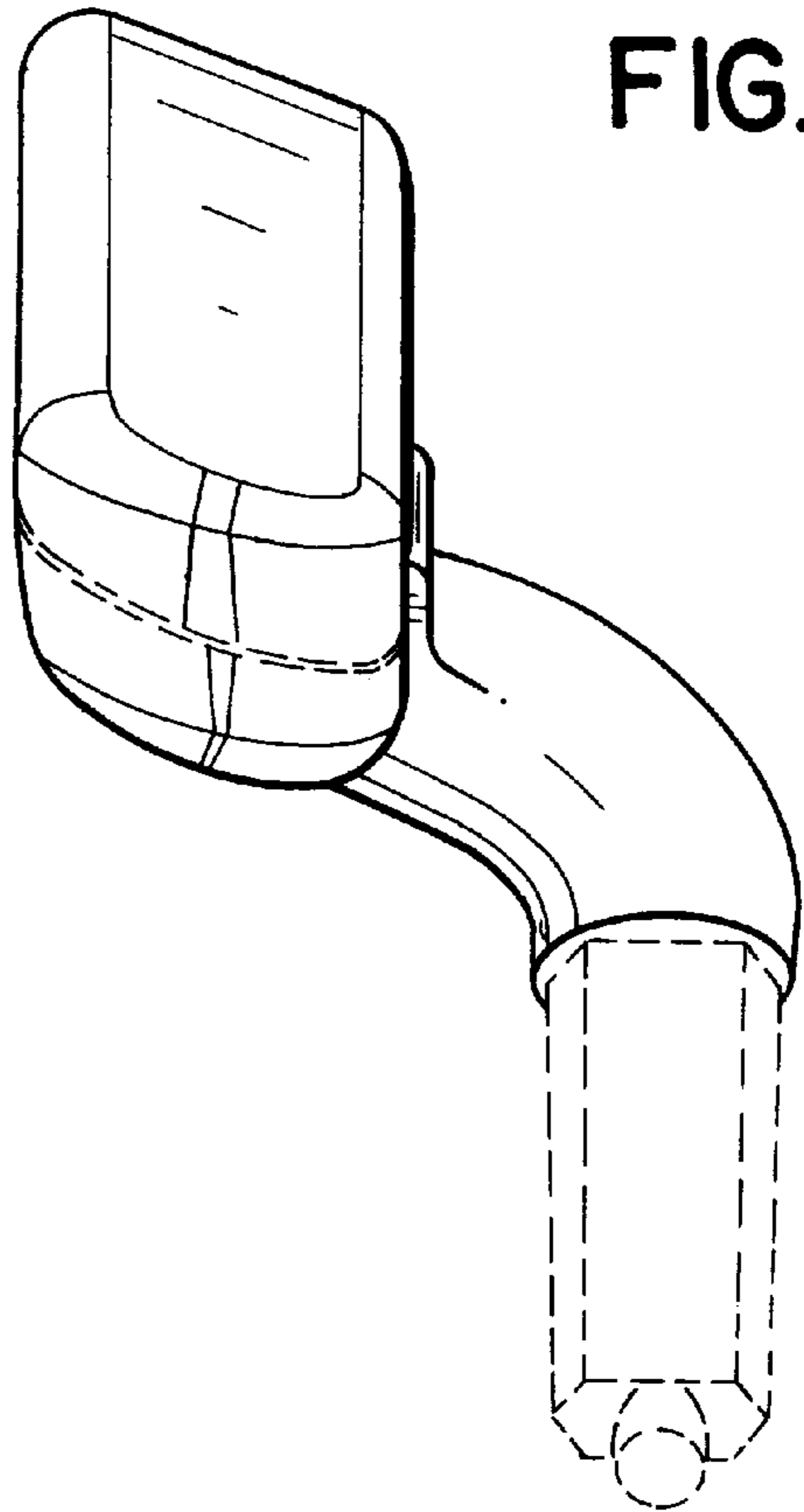


FIG. 4

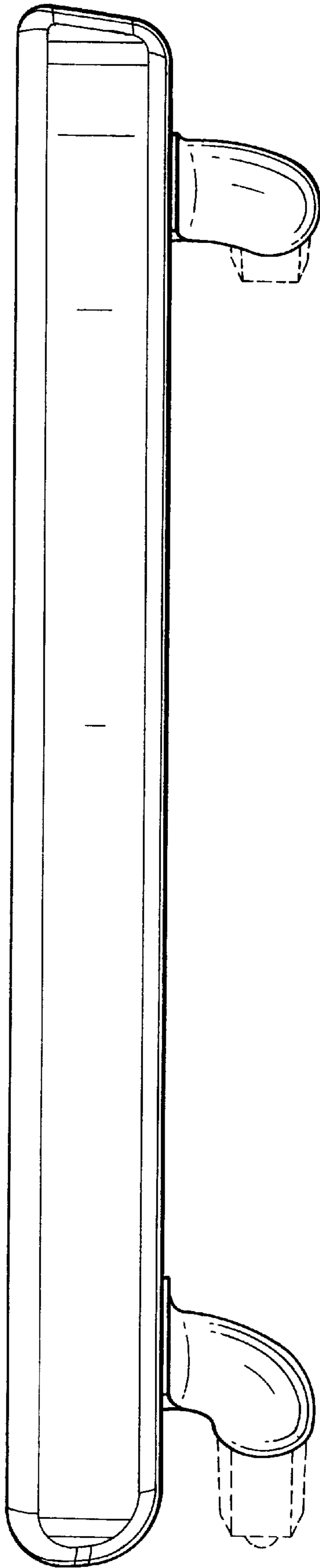


FIG. 5

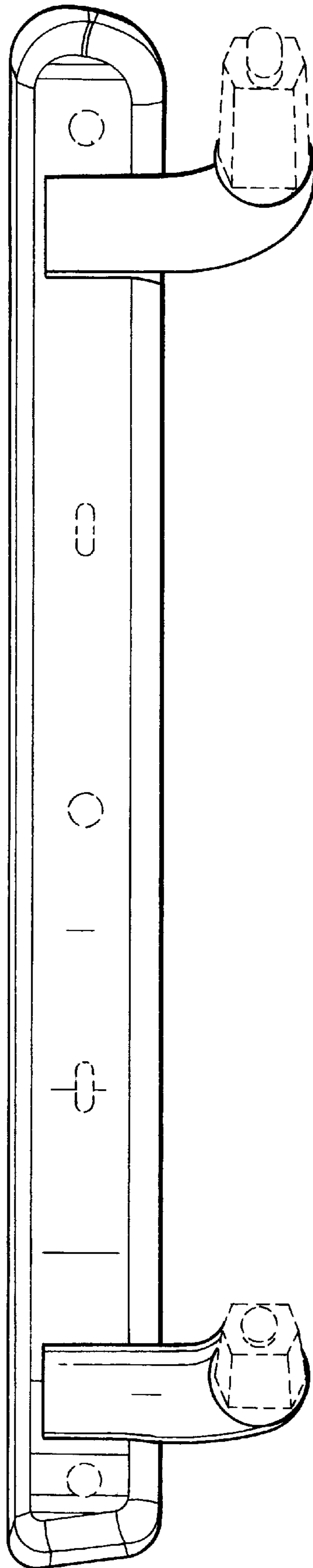


FIG. 6

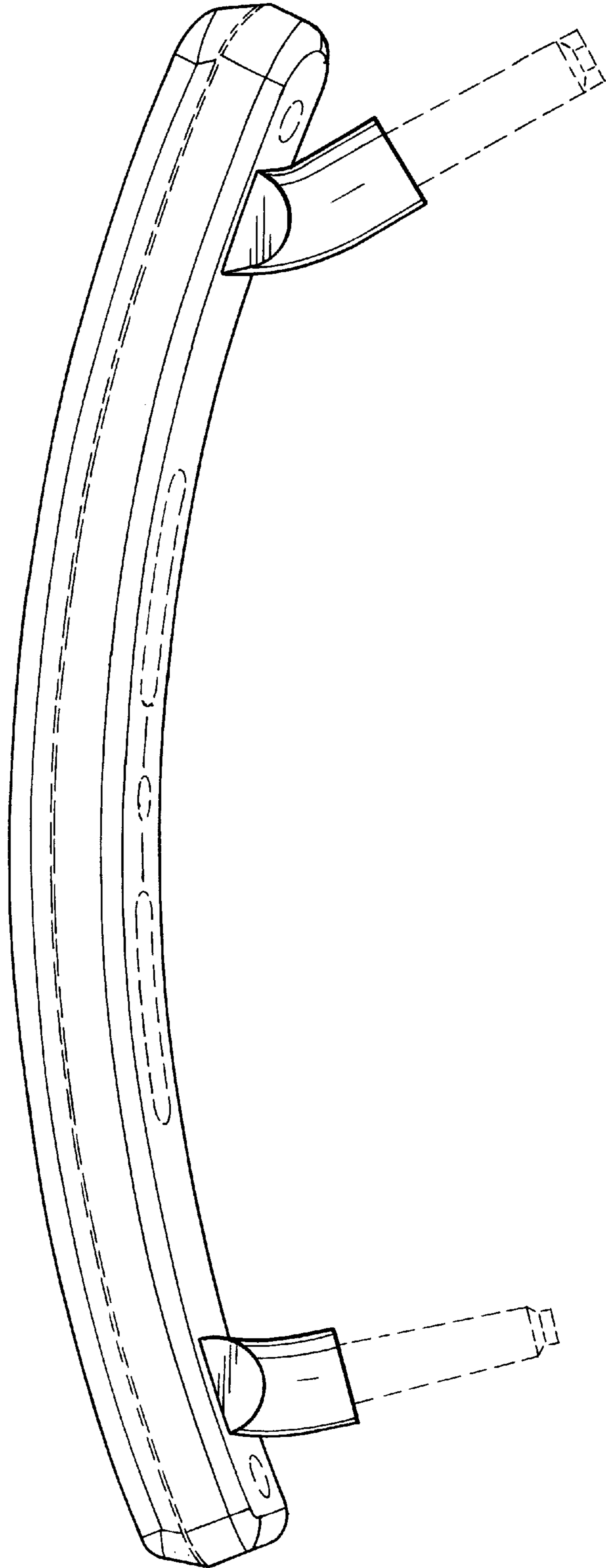


FIG. 7

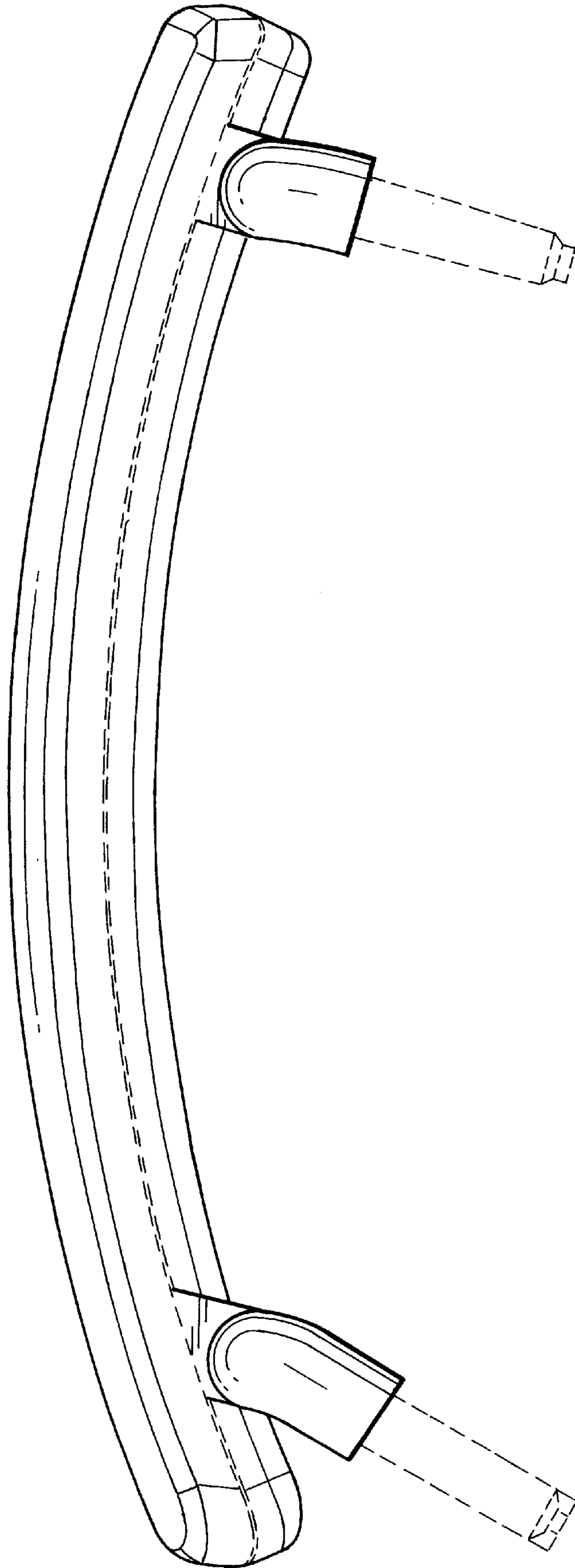


FIG. 8

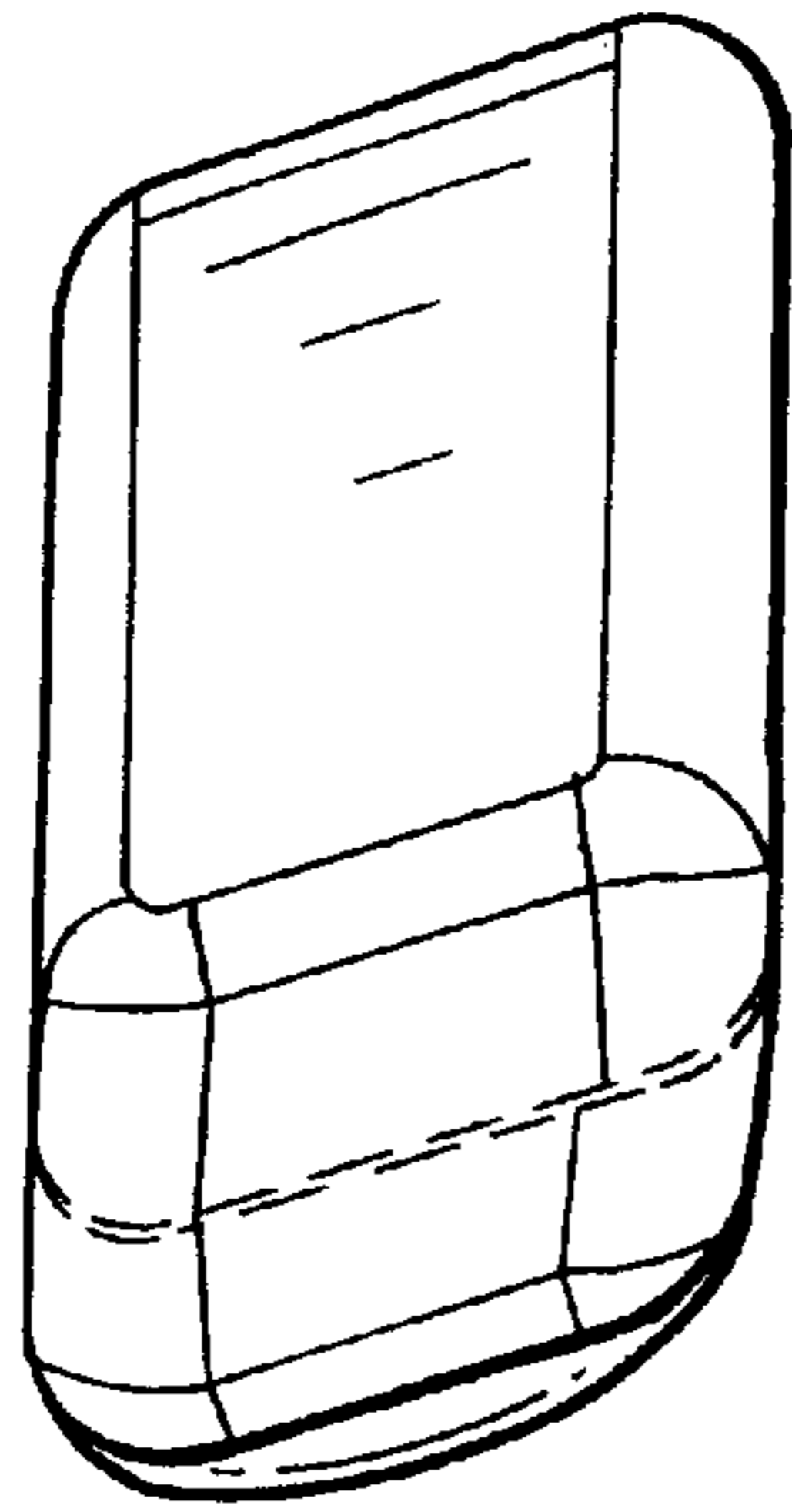


FIG. 9

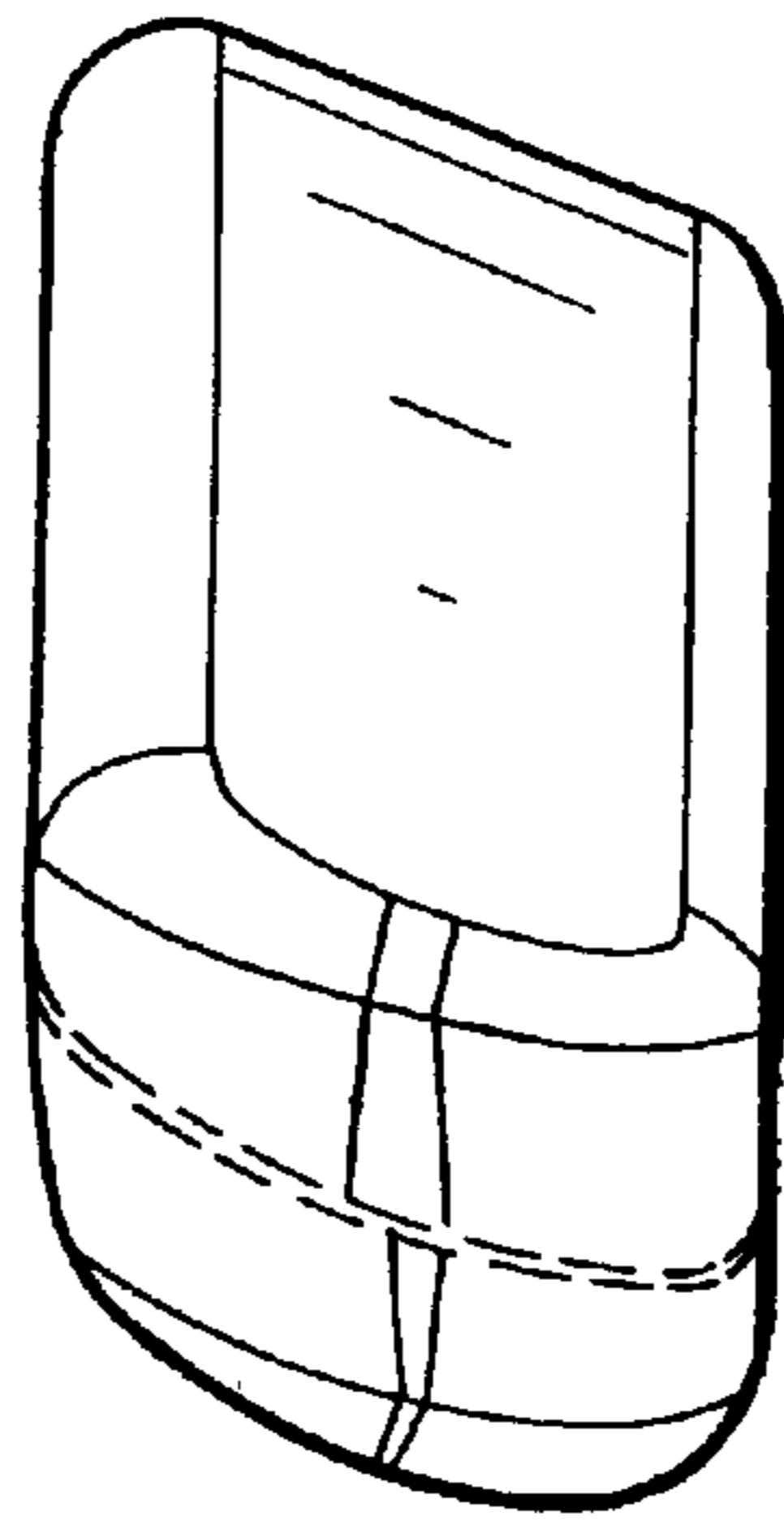


FIG. 10

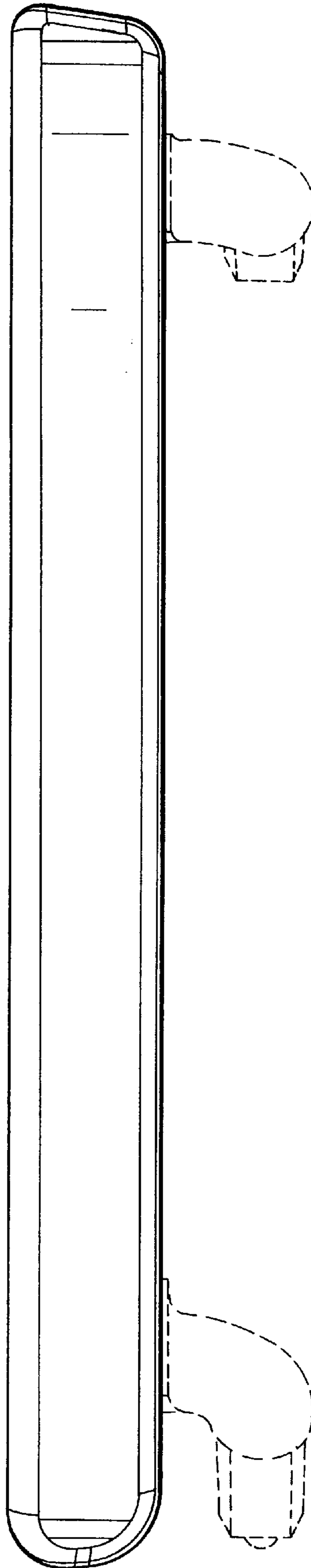


FIG. II

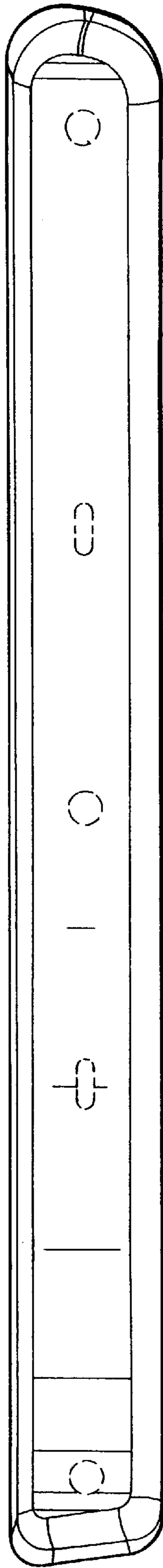


FIG. 12

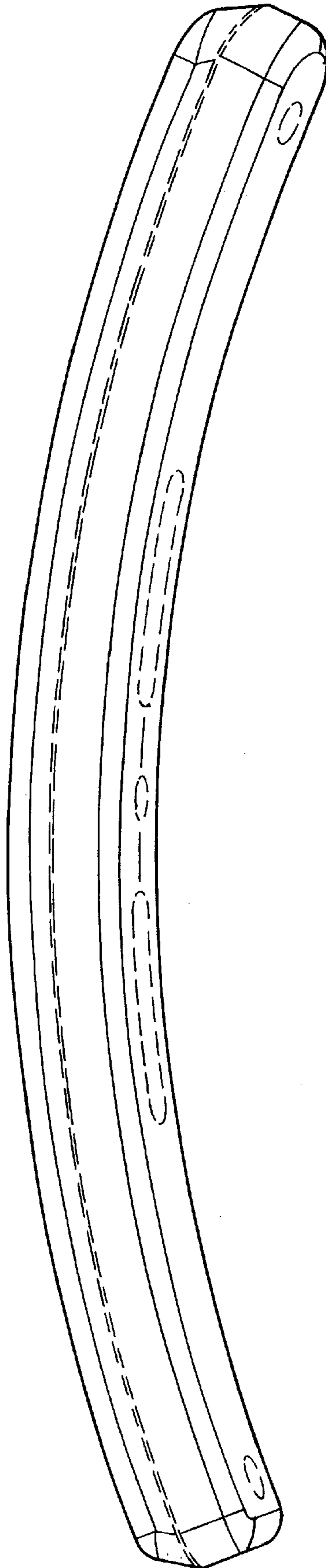


FIG. 13

