



US00D408662S

# United States Patent [19] Perrin

[11] **Patent Number: Des. 408,662**

[45] **Date of Patent: \*\*Apr. 27, 1999**

[54] **CHAIR**

[75] Inventor: **Thomas M. Perrin**, Grand Rapids, Mich.

[73] Assignee: **Haworth, Inc.**, Holland, Mich.

[\*\*] Term: **14 Years**

[21] Appl. No.: **29/084,837**

[22] Filed: **Mar. 11, 1998**

[51] **LOC (6) Cl. .... 06-06**

[52] **U.S. Cl. .... D6/500; D6/366**

[58] **Field of Search .... D6/334, 364, 365, D6/366, 367, 377, 500, 501, 502; 297/451.11, DIG. 2**

[56] **References Cited**

**U.S. PATENT DOCUMENTS**

D. 196,719	10/1963	Johnson	.....	D6/366
D. 220,388	4/1971	Kramer	.....	D6/366
D. 233,638	11/1974	Offredi	.....	D6/366
D. 277,143	1/1985	Helmholdt	.....	D6/366
D. 289,120	4/1987	Chadwick et al.	.	
D. 296,394	6/1988	Chadwick et al.	.	
D. 351,510	10/1994	Lucci et al.	.	
D. 377,431	1/1997	Stumpf et al.	.	
D. 386,023	11/1997	Stumpf et al.	.	

D. 391,089	2/1998	Chu	.....	D6/366
D. 392,471	3/1998	Smith	.....	D6/334
D. 393,968	5/1998	Penning et al.	.....	D6/500
D. 398,164	9/1998	Shorlowsky	.....	D6/366
2,731,078	1/1956	Cadman et al.	.	
3,201,172	8/1965	Bliss	.	
3,583,759	6/1971	Kramer	.	
3,669,496	6/1972	Chisholm	.	
4,032,190	6/1977	Mueller-Deisig et al.	.	

*Primary Examiner*—Gary D. Watson  
*Attorney, Agent, or Firm*—Flynn, Thiel, Boutell & Tanis, P.C.

[57] **CLAIM**

The ornamental design for a chair, as shown and described.

**DESCRIPTION**

FIG. 1 is a perspective view showing my new design for a chair;  
FIG. 2 is a front view thereof;  
FIG. 3 is a rear view thereof;  
FIG. 4 is a right-side view thereof;  
FIG. 5 is a left-side view thereof; and,  
FIG. 6 is a top view thereof.  
The broken lines showing a support pedestal are for environmental purposes only and form no part of the claimed design.

**1 Claim, 6 Drawing Sheets**

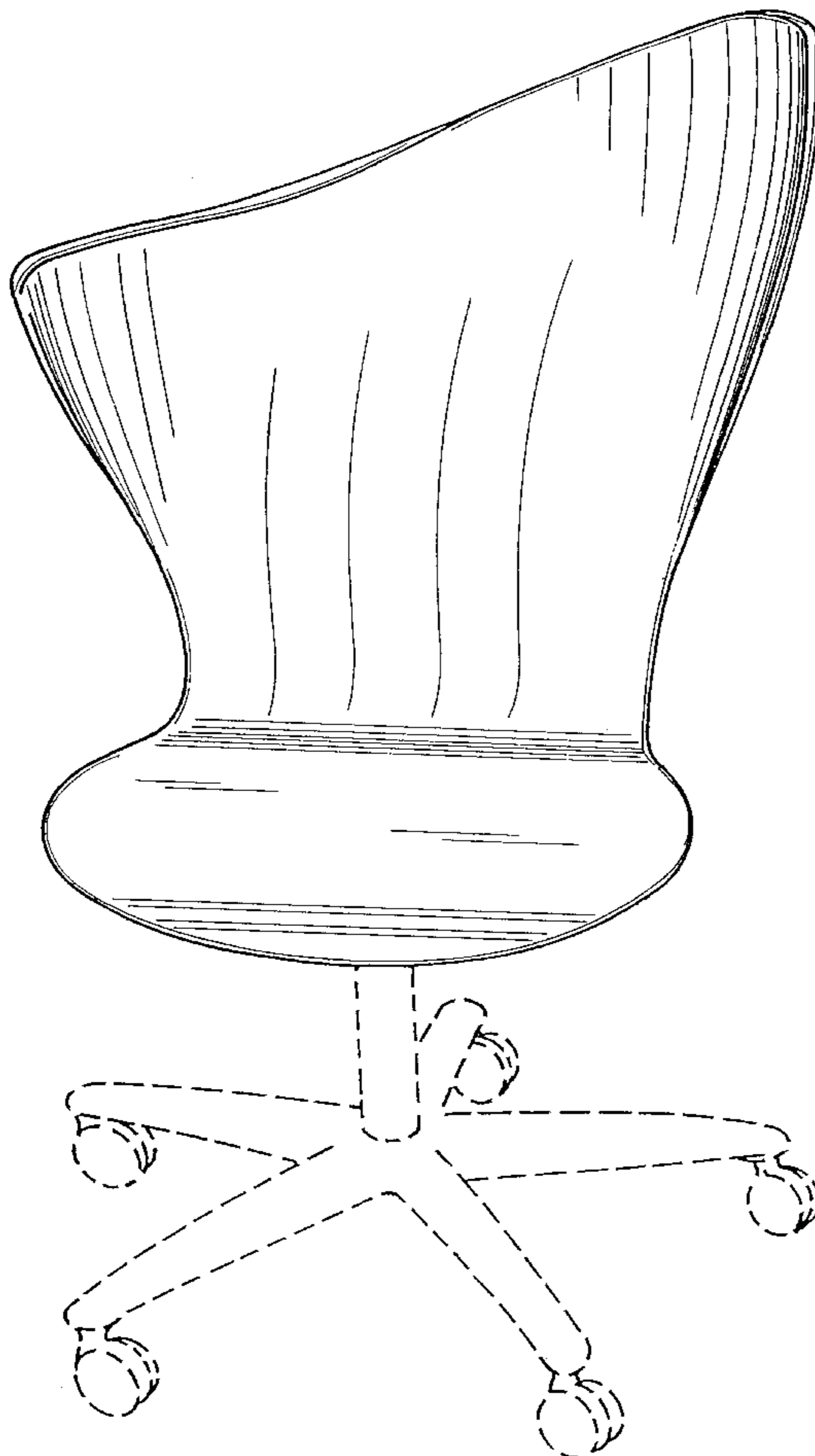


FIG. 1

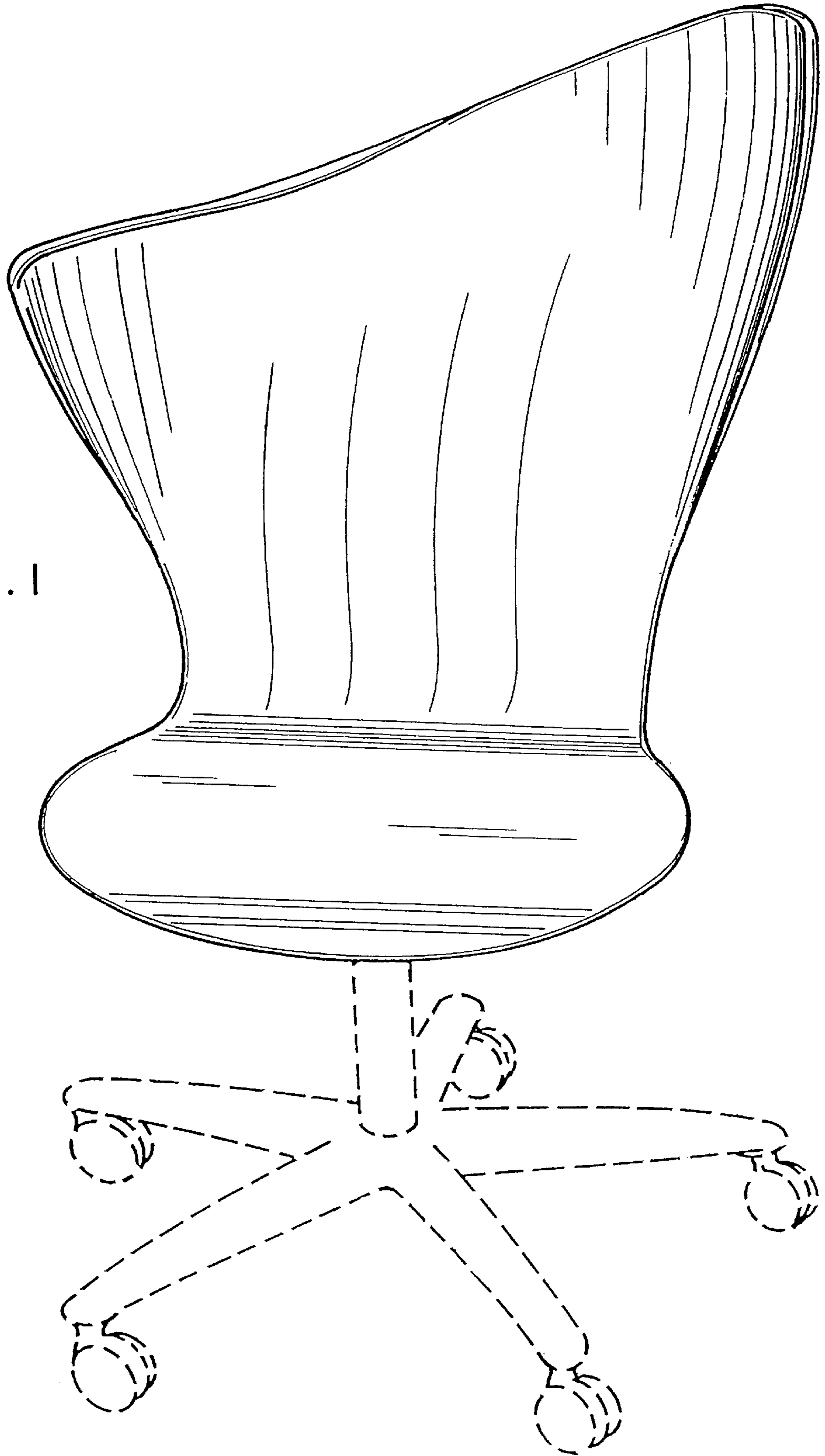


FIG. 2

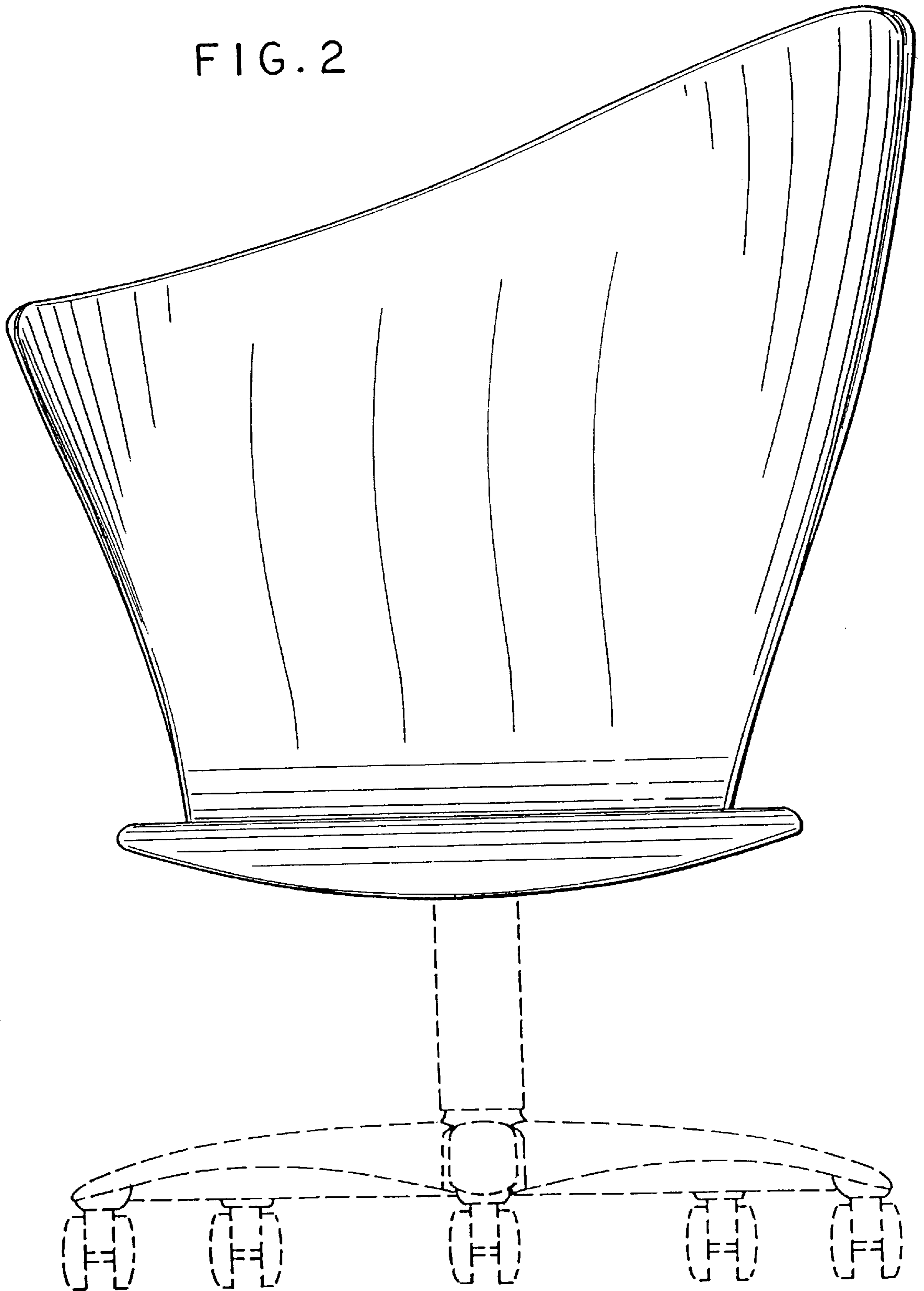
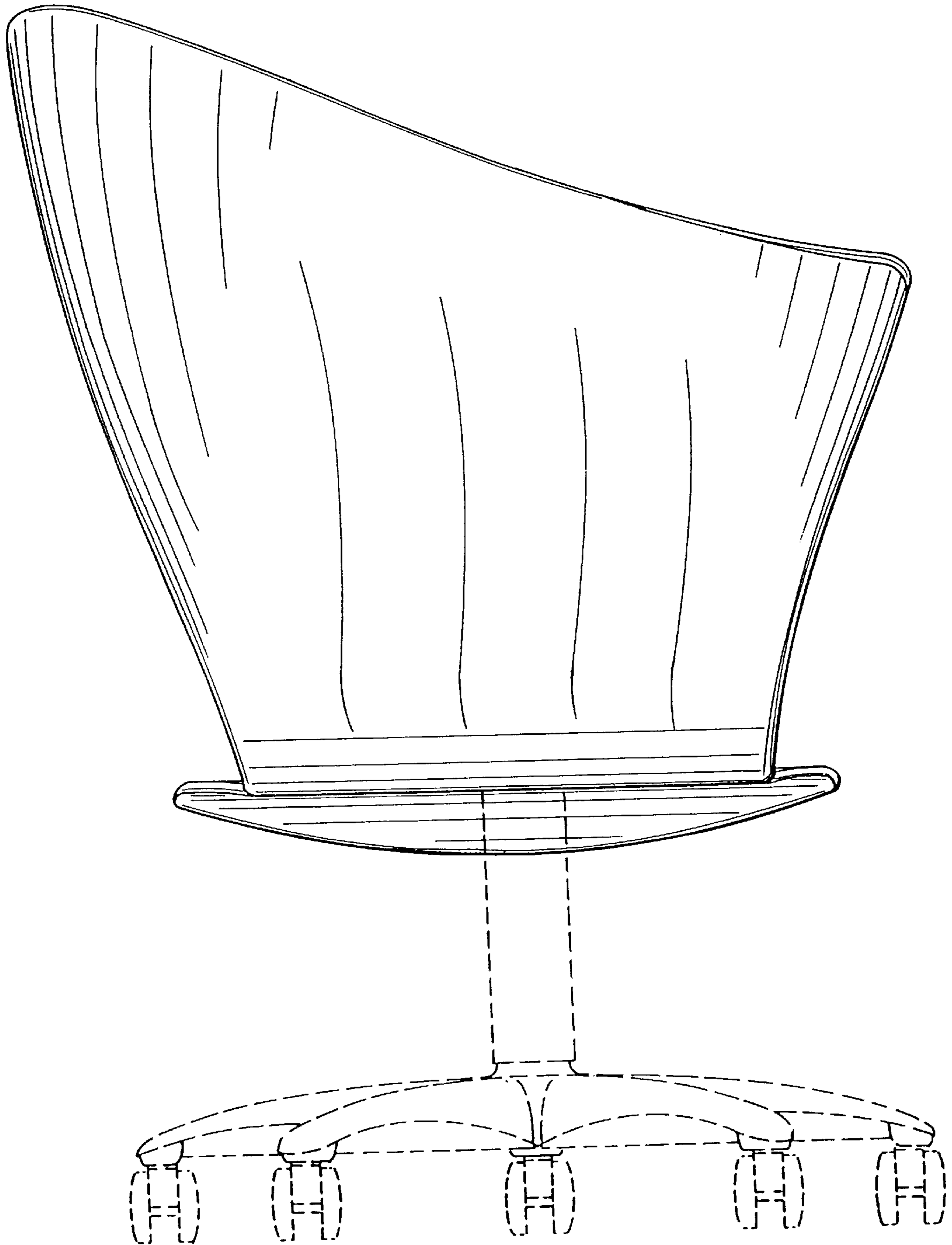


FIG. 3



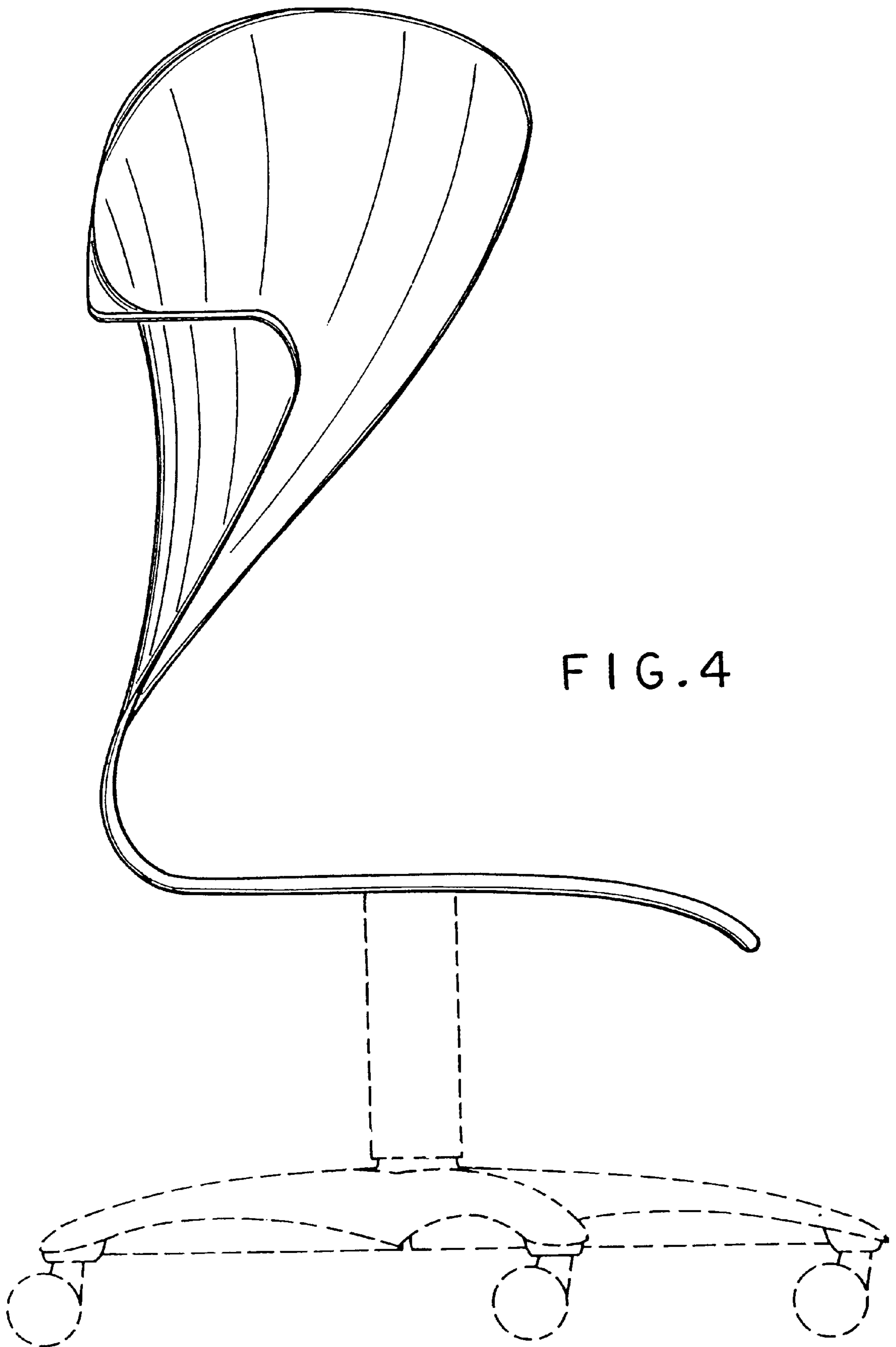


FIG. 4

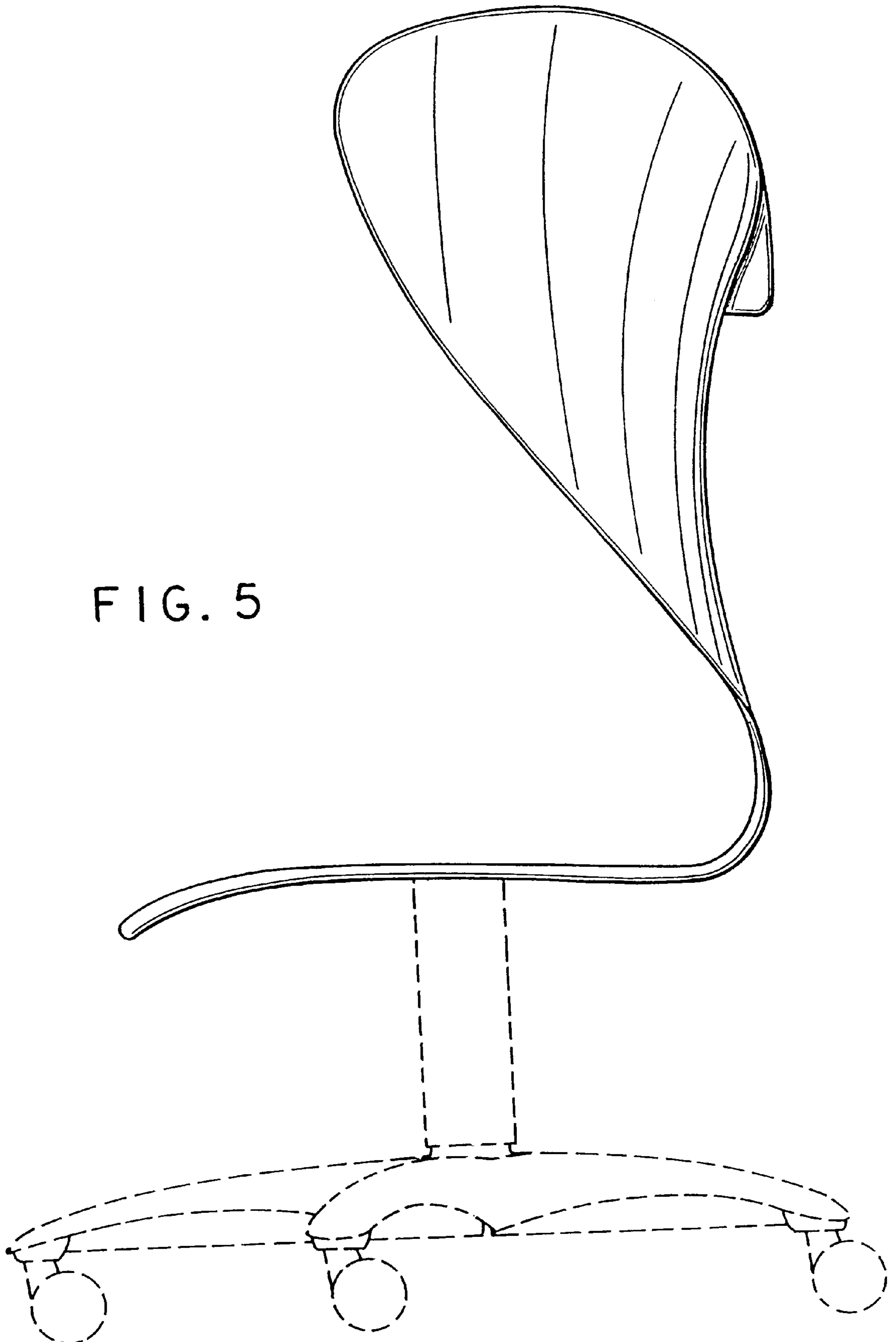


FIG. 5



FIG. 6

