



US00D408660S

United States Patent [19]

Donnelly

[11] Patent Number: Des. 408,660

[45] Date of Patent: **Apr. 27, 1999

[54] SEAT

[76] Inventor: **Brian F. Donnelly**, 1118 Salamanca Ct., Davis, Calif. 95616

[**] Term: **14 Years**

[21] Appl. No.: **29/058,060**

[22] Filed: **Aug. 7, 1996**

[51] LOC (6) Cl. **06-06**

[52] U.S. Cl. **D6/500**

[58] Field of Search D6/334, 370, 371, D6/372, 373, 374, 375, 376, 379, 380, 381, 495, 500, 501, 502; 297/232, 445.1, 446.1

[56] References Cited

U.S. PATENT DOCUMENTS

| | | | |
|------------|---------|---------------------|---------|
| D. 9,887 | 3/1877 | Goodwin . | |
| D. 40,613 | 4/1910 | Waters. Jr. . | |
| D. 80,601 | 3/1930 | Bernhard | D6/379 |
| D. 165,952 | 2/1952 | Weatherly | D6/375 |
| D. 180,134 | 4/1957 | Calder | D15/1 |
| D. 188,895 | 9/1960 | Joines | D15/1 |
| D. 193,506 | 9/1962 | Smith et al. | D15/1 |
| D. 223,025 | 2/1972 | Barecki et al. | D6/2 |
| D. 238,222 | 12/1975 | Eberle | D6/1 |
| D. 239,992 | 5/1976 | Gabourie | D6/379 |
| D. 248,799 | 8/1978 | Adams | D6/9 |
| D. 289,347 | 4/1987 | Halme | D6/370 |
| D. 294,782 | 3/1988 | Balderi | D6/373 |
| D. 310,453 | 9/1990 | Snodgrass | D6/372 |
| D. 342,618 | 12/1993 | Tseng | D6/370 |
| D. 342,620 | 12/1993 | Tseng | D6/370 |
| D. 342,621 | 12/1993 | Tseng | D6/370 |
| D. 366,773 | 2/1996 | Yurk | D6/369 |
| D. 366,775 | 2/1996 | Kane | D6/370 |
| D. 378,965 | 4/1997 | Yurk | D6/500 |
| 1,170,669 | 2/1916 | Ridgely . | |
| 1,351,995 | 9/1920 | Cornish . | |
| 2,834,404 | 5/1958 | Groome | 155/194 |
| 3,144,272 | 8/1964 | Yadven | 297/248 |
| 3,336,077 | 8/1967 | Radke et al. | 297/193 |
| 3,635,521 | 1/1972 | Shivvers | 297/125 |
| 3,638,997 | 2/1972 | Shapiro et al. | 297/232 |
| 3,847,433 | 11/1974 | Acton et al. | 297/239 |

| | | | |
|-----------|---------|---------------------|---------|
| 4,249,774 | 2/1981 | Andreasson | 297/311 |
| 4,688,851 | 8/1987 | Whiteford | 297/313 |
| 4,690,459 | 9/1987 | Ullman | 297/458 |
| 4,852,944 | 8/1989 | Hartmann | 297/445 |
| 5,292,177 | 3/1994 | Balderi et al. | 297/232 |
| 5,306,072 | 4/1994 | Caldwell | 297/232 |
| 5,309,583 | 5/1994 | White et al. | 4/667 |
| 5,342,111 | 8/1994 | Charles | 297/232 |
| 5,375,911 | 12/1994 | Morrow | 297/258 |

FOREIGN PATENT DOCUMENTS

1115421 10/1991 Germany .

OTHER PUBLICATIONS

Patient Chairs, Health Chair, model Nos. 1376, 1377, 1378, Thonet advertising brochure, undated.

Primary Examiner—Gary D. Watson
Attorney, Agent, or Firm—Burns, Doane, Swecker & Mathis, L.L.P.

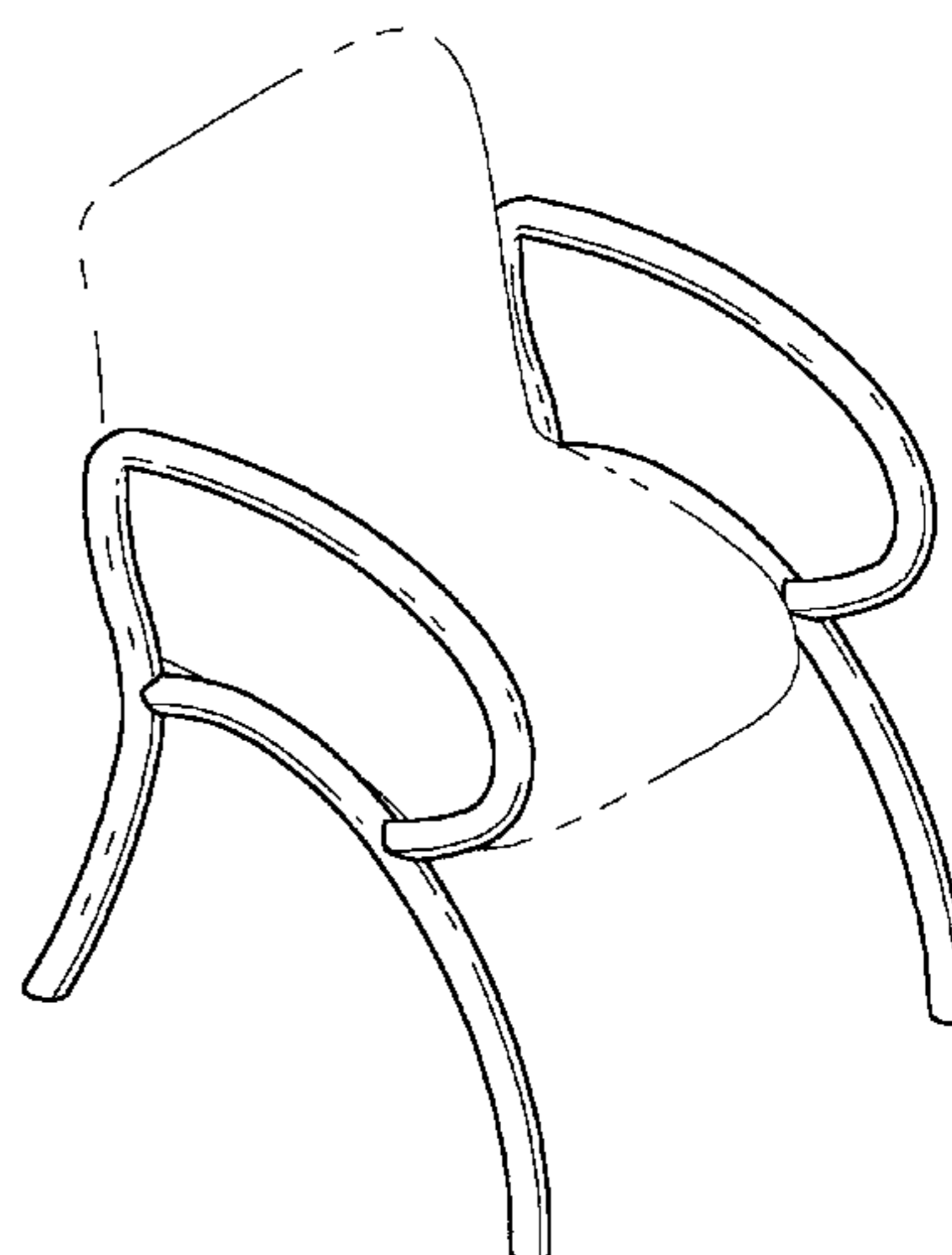
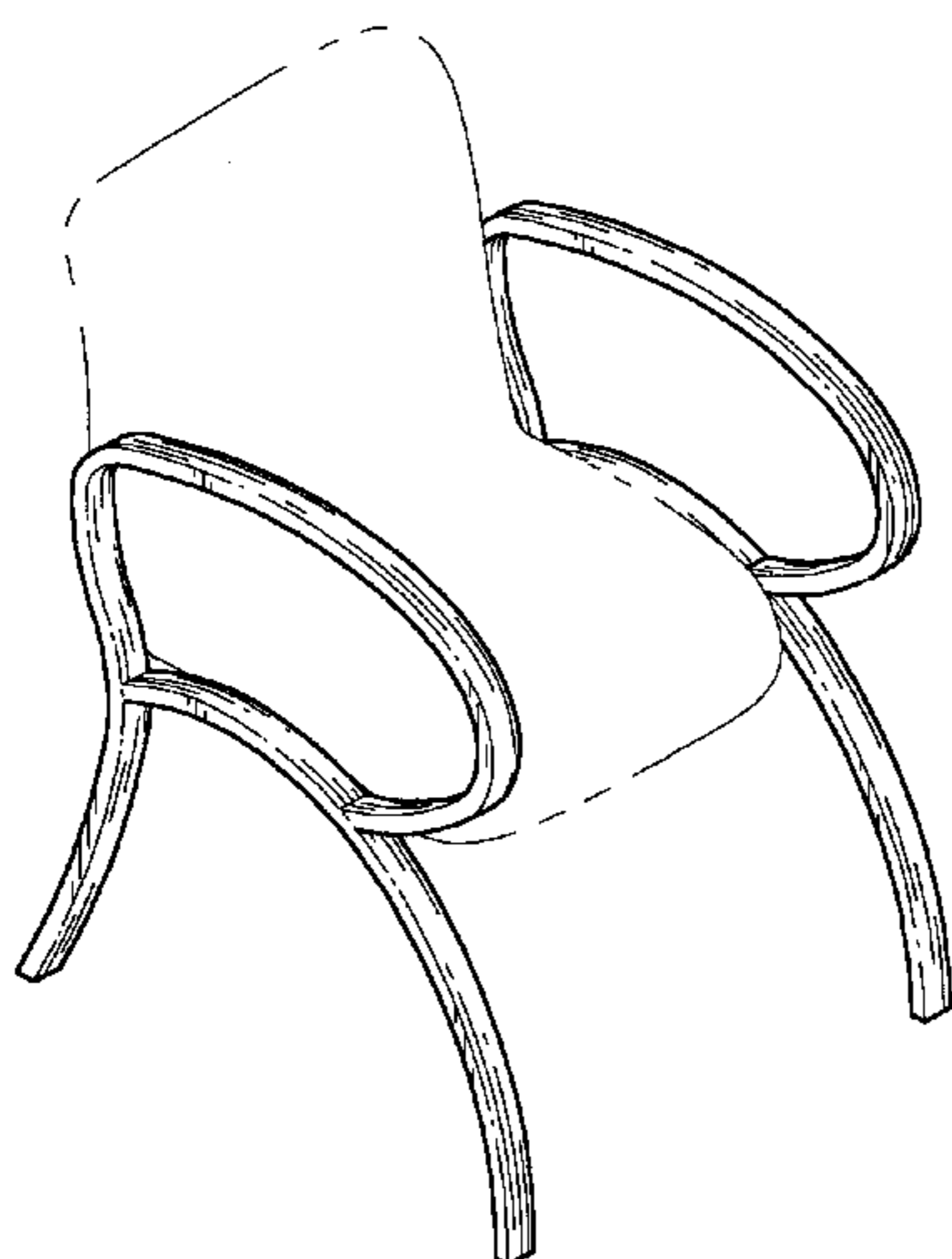
[57] CLAIM

The ornamental design for a seat, as shown and described.

DESCRIPTION

FIG. 1 is a perspective view as seen from the front and upper left of a first embodiment of a seat showing my new design; FIG. 2 is a front elevational view thereof; FIG. 3 is a left side elevational view thereof, the right side is symmetrical; FIG. 4 is a top plan view thereof; FIG. 5 is a rear elevational view thereof; FIG. 6 is a perspective view as seen from the front and upper left of a second embodiment of the seat, wherein the sole difference from the first embodiment is the round tubular stock of the side frame members; FIG. 7 is a perspective view as seen from the front and upper left of the first embodiment of the seat, wherein the sole difference from FIG. 1 is in the environmental showing; and, FIG. 8 is a perspective view as seen from the front and upper left of the second embodiment of the seat, wherein the sole difference from FIG. 6 is in the environmental showing. The broken line showing of a seat member is for illustrative purposes only and forms no part of the claimed design.

1 Claim, 4 Drawing Sheets



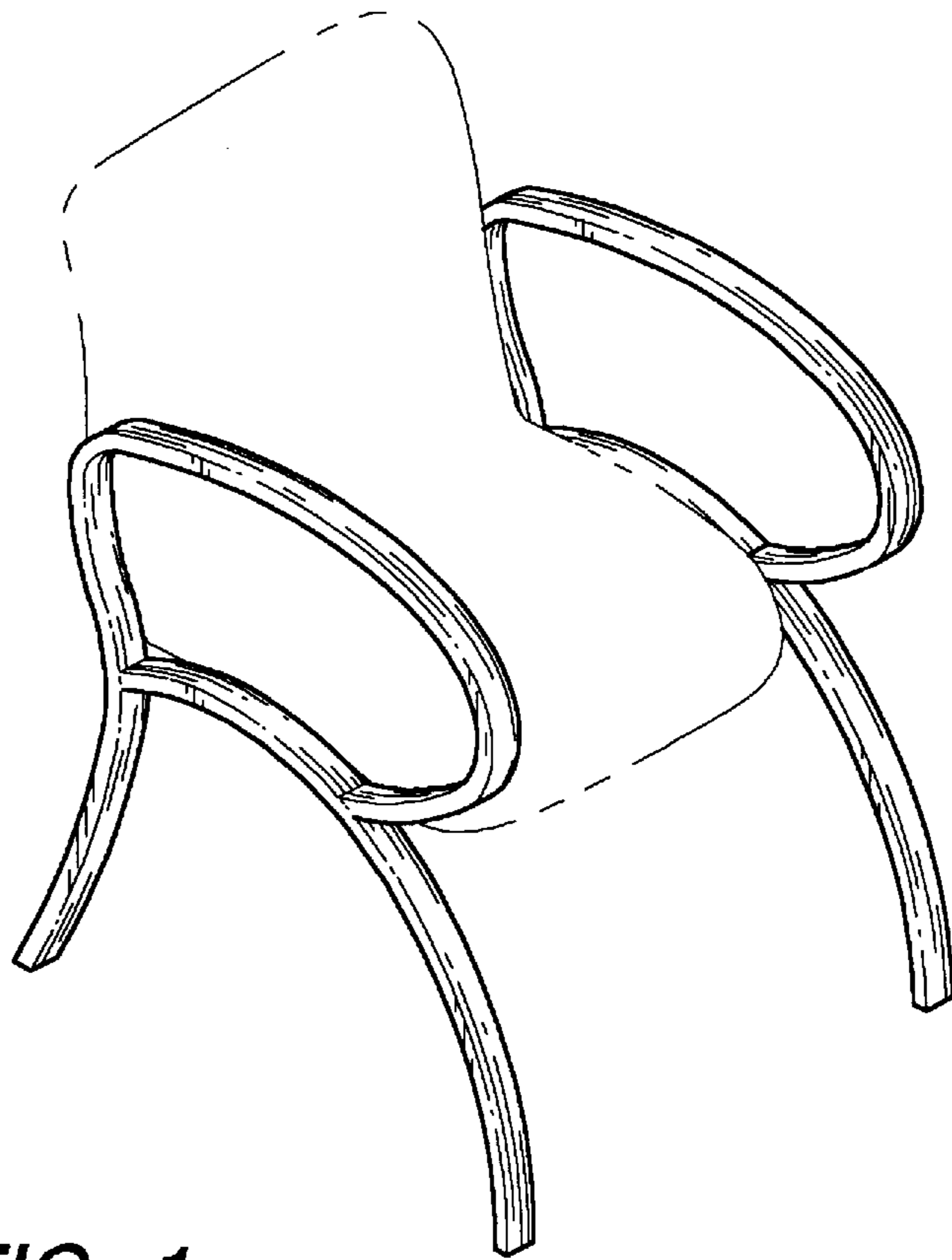


FIG. 1

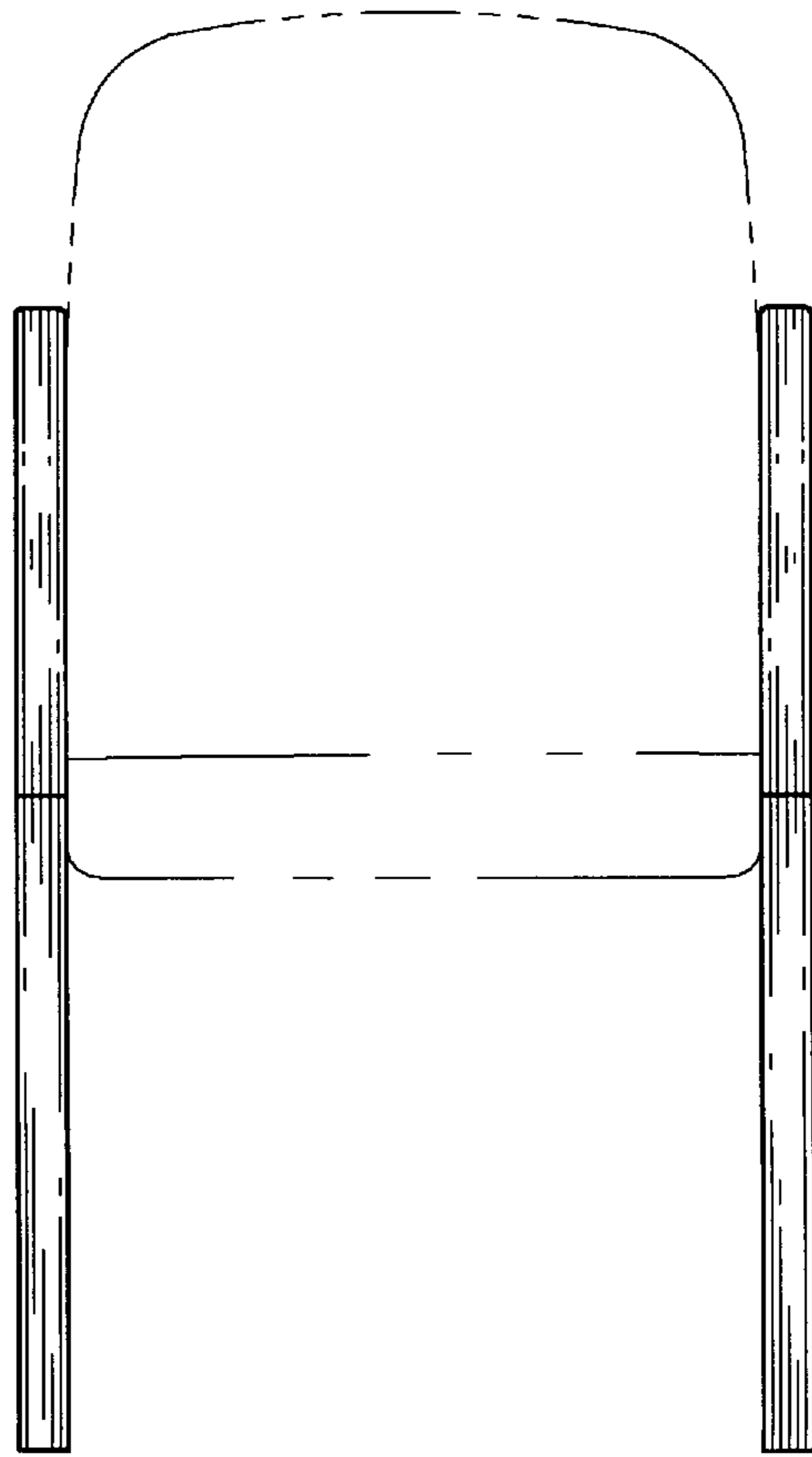


FIG. 2

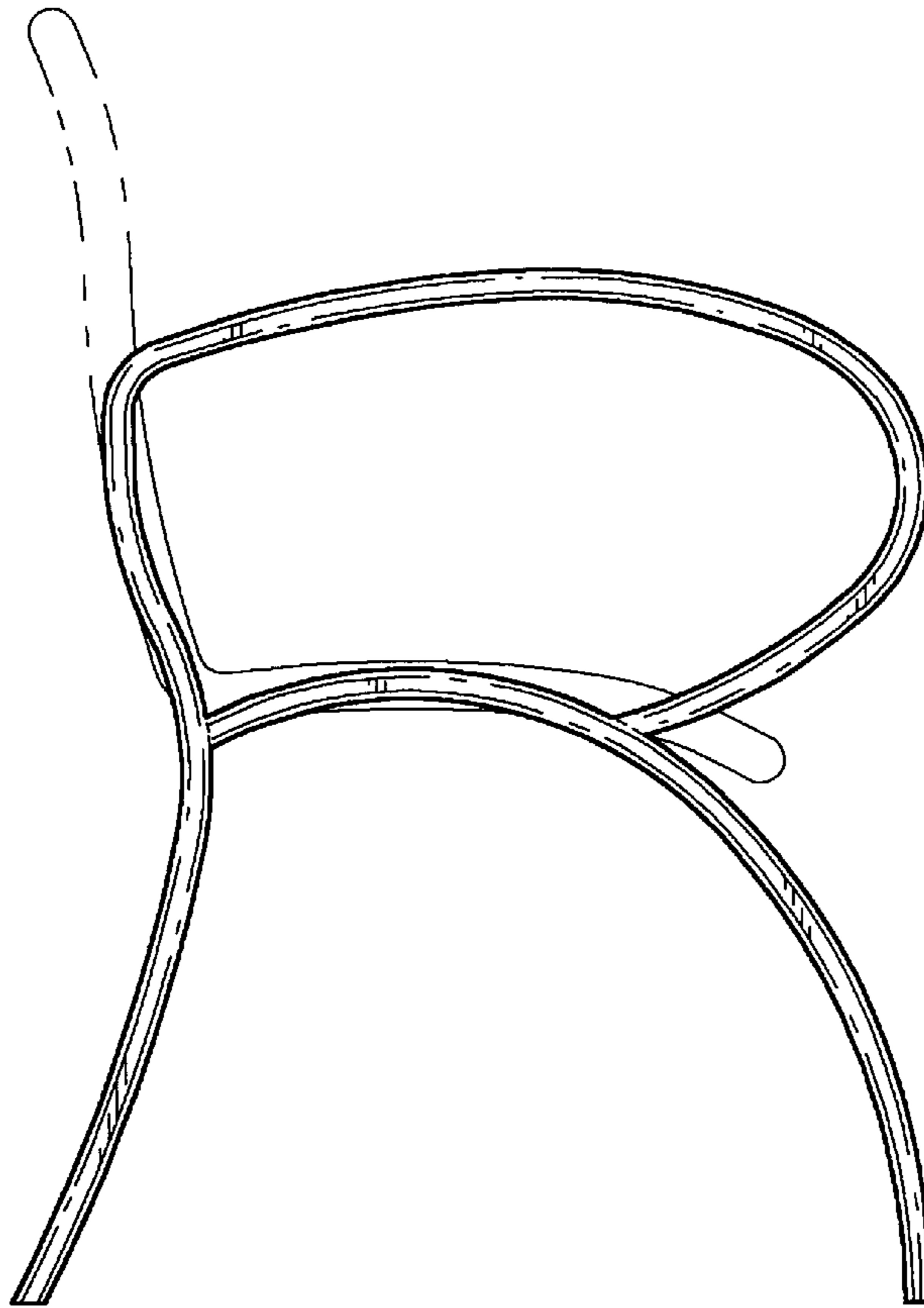


FIG. 3

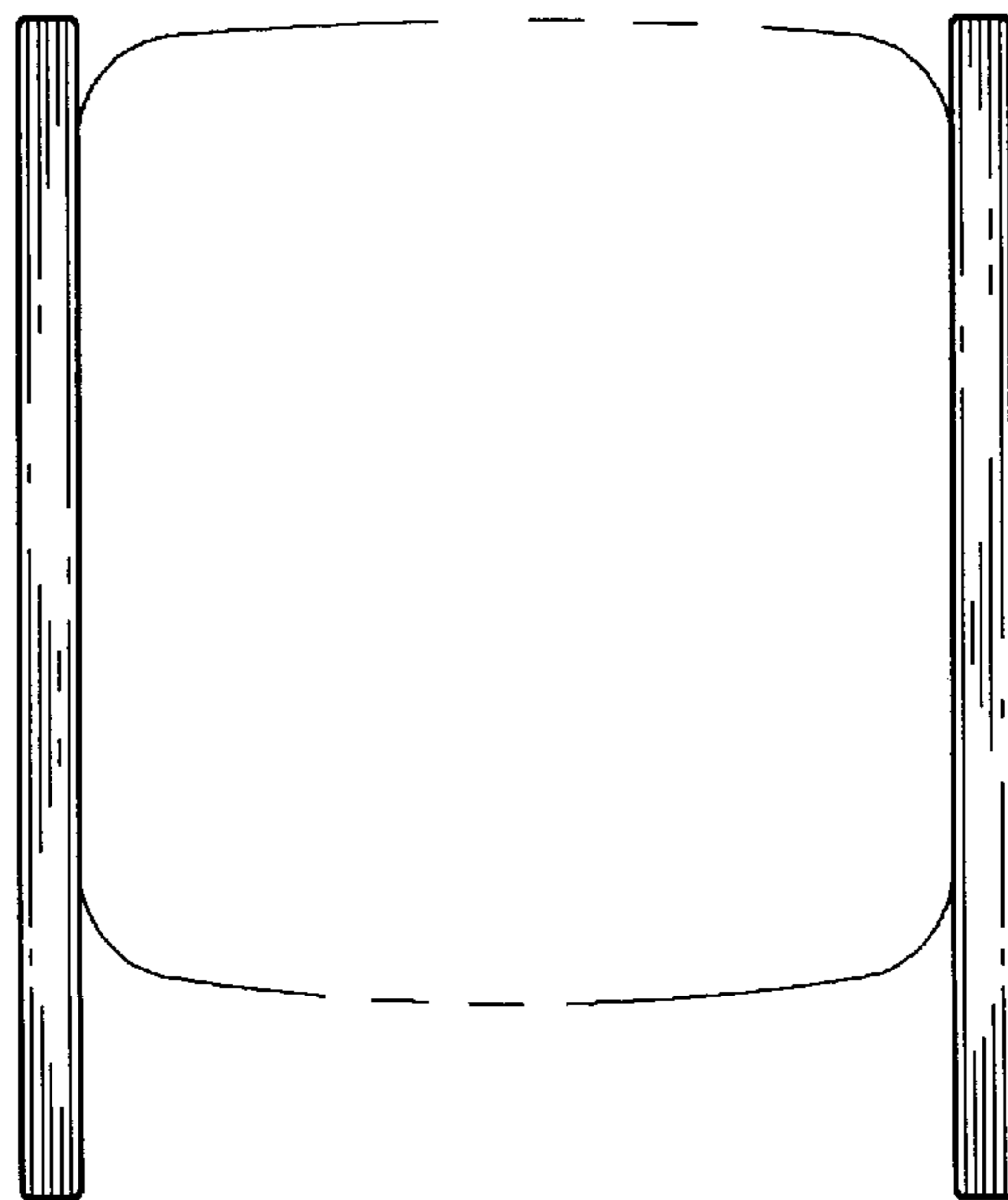


FIG. 4

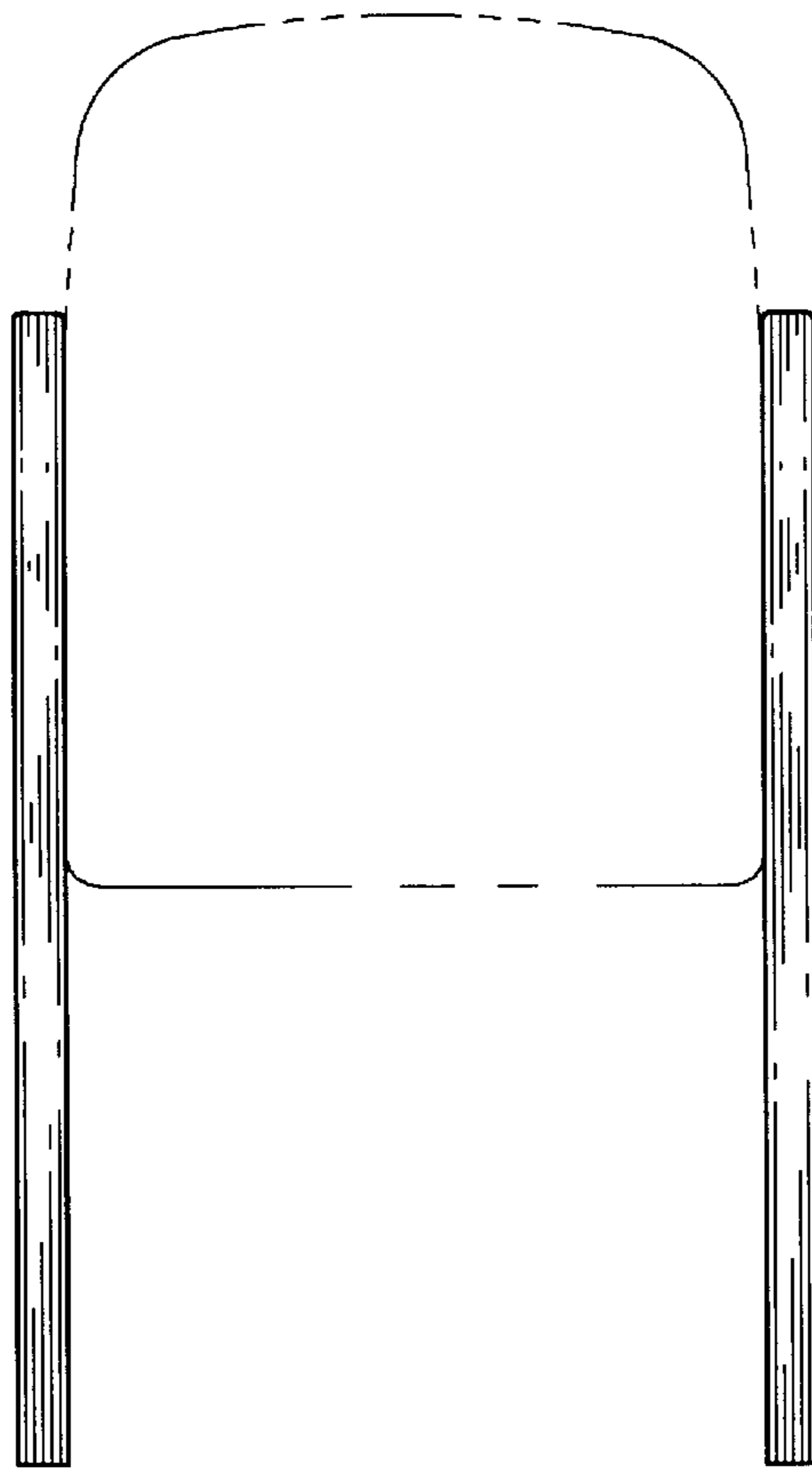


FIG. 5

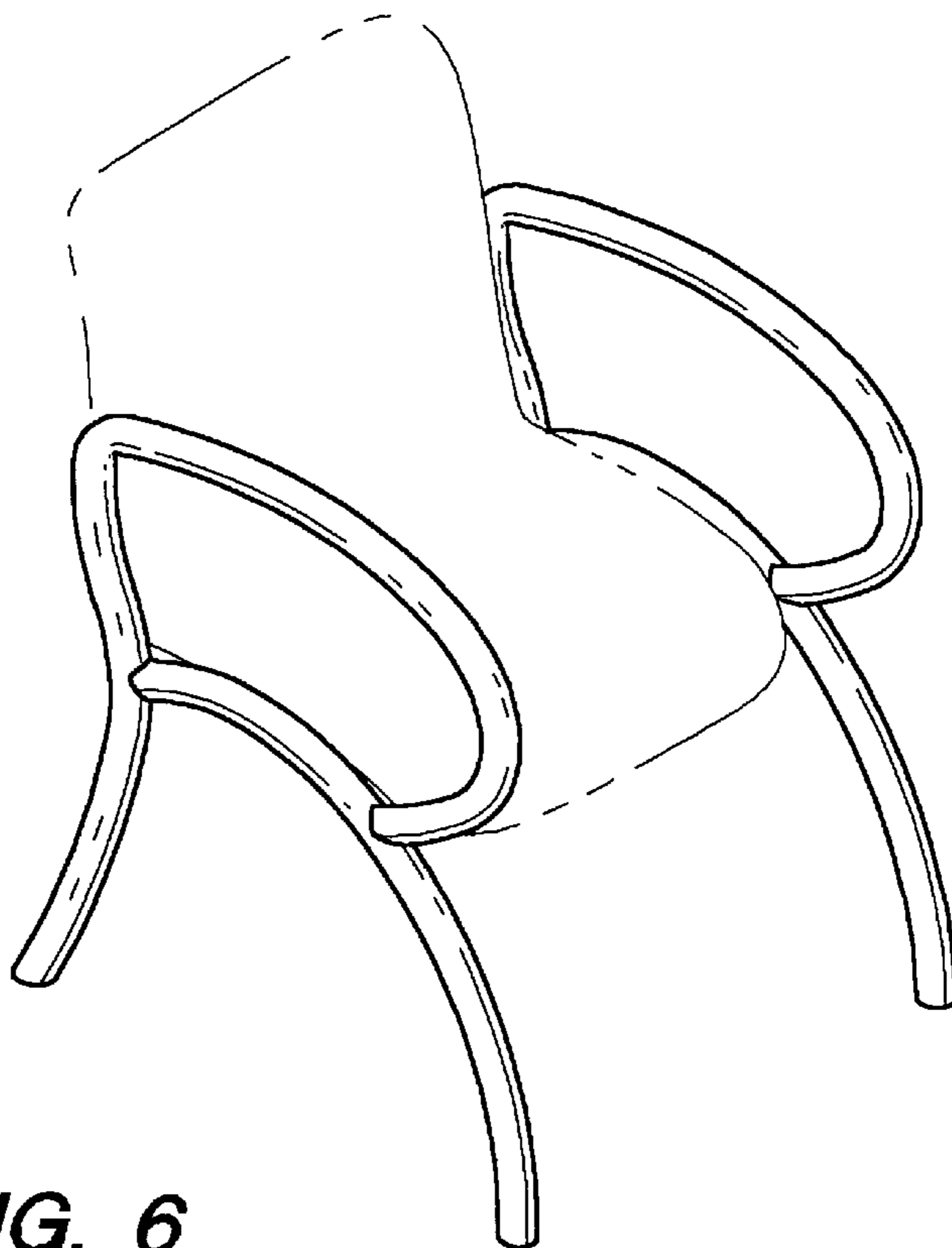


FIG. 6

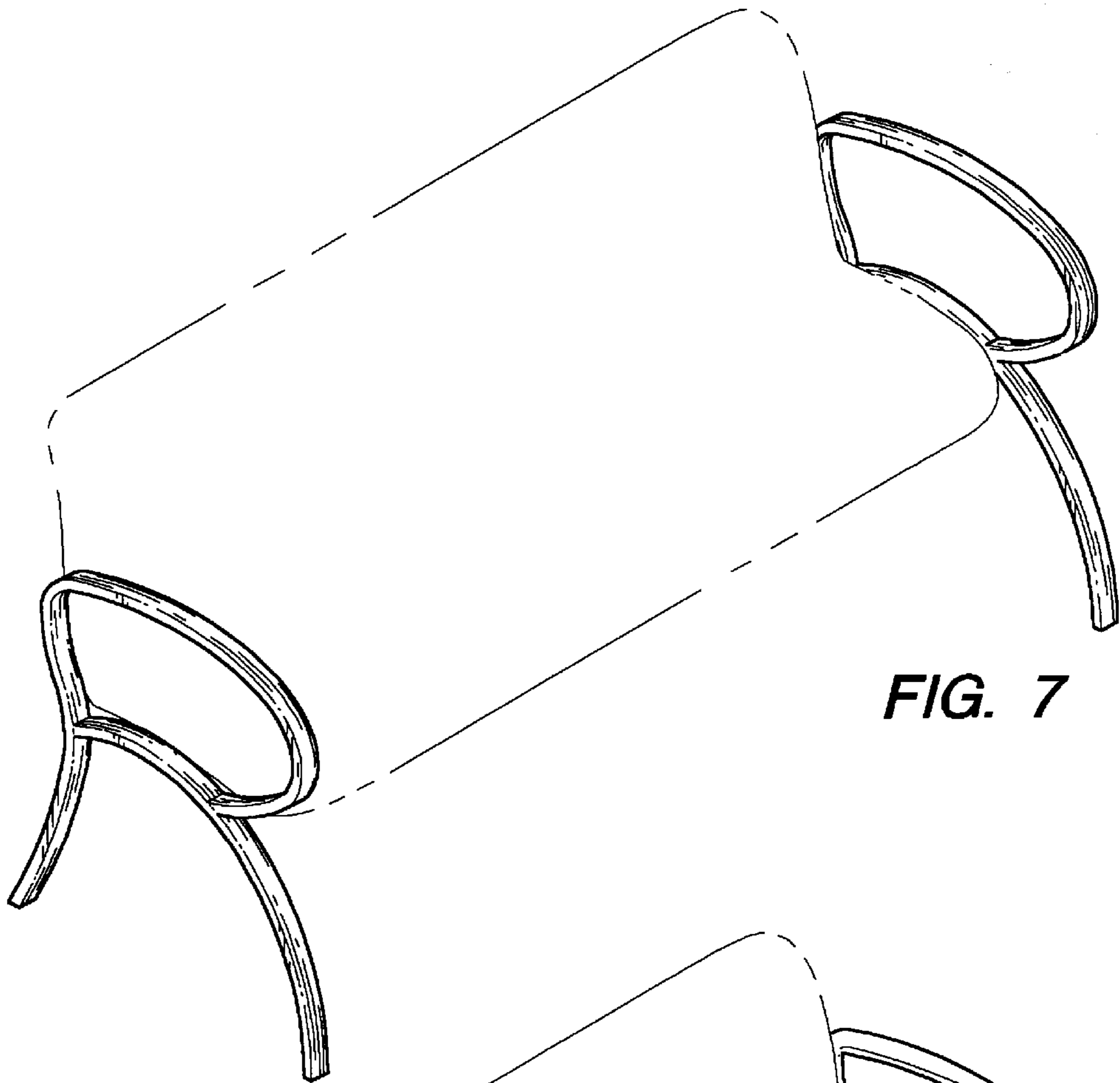


FIG. 7

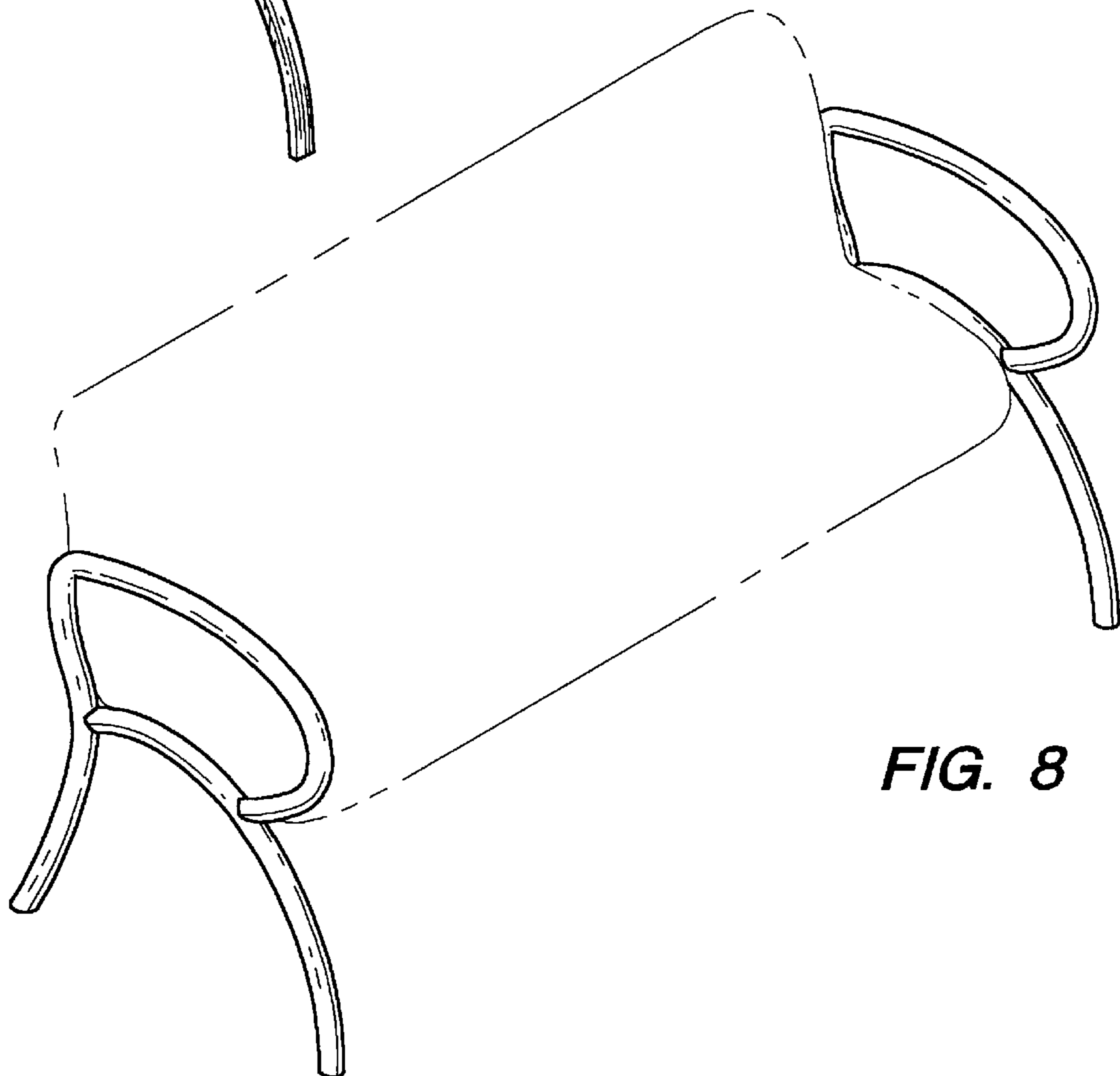


FIG. 8