



US00D408657S

United States Patent [19]

Koch

[11] Patent Number: **Des. 408,657**

[45] Date of Patent: ****Apr. 27, 1999**

[54] **DISPLAY BOX FOR WATCHES AND ACCESSORIES**

D. 194,084 11/1962 McMenemy D6/450 X
D. 285,268 8/1986 Scheid et al. D6/470
2,469,530 5/1949 Thompson 206/557 X

[75] Inventor: **Anton Werner Koch**, Bienne, Switzerland

Primary Examiner—Alan P. Douglas
Attorney, Agent, or Firm—Collen Law Associates,P.C.

[73] Assignee: **Swatch AG**, Bienne, Switzerland

[**] Term: **14 Years**

[57] CLAIM

[21] Appl. No.: **29/005,746**

The ornamental design for a display box for watches and accessories, as shown and described.

[22] Filed: **Mar. 10, 1993**

DESCRIPTION

[30] Foreign Application Priority Data

Sep. 29, 1992 [XH] Hague Agreement DM/023 997

FIG. 1 is a perspective view of my new design for a display box for watches and accessories;

[51] **LOC (6) Cl.** **06-04**

FIG. 2 is a perspective view thereof with the cover open and the accessories removed for convenience of illustration;

[52] **U.S. Cl.** **D6/470**

FIG. 3 is a top view of the design of FIG. 2 showing a top lid in a closed position;

[58] **Field of Search** D6/470, 471, 472, D6/475, 449, 450; 206/557

FIG. 4 is a perspective view of the design of FIG. 1 with the support pieces shown outside the case on a larger scale; and, FIG. 5 is a bottom view of the design of FIG. 1.

[56] References Cited

U.S. PATENT DOCUMENTS

D. 64,912 6/1924 McCorkell D6/449 X

1 Claim, 5 Drawing Sheets

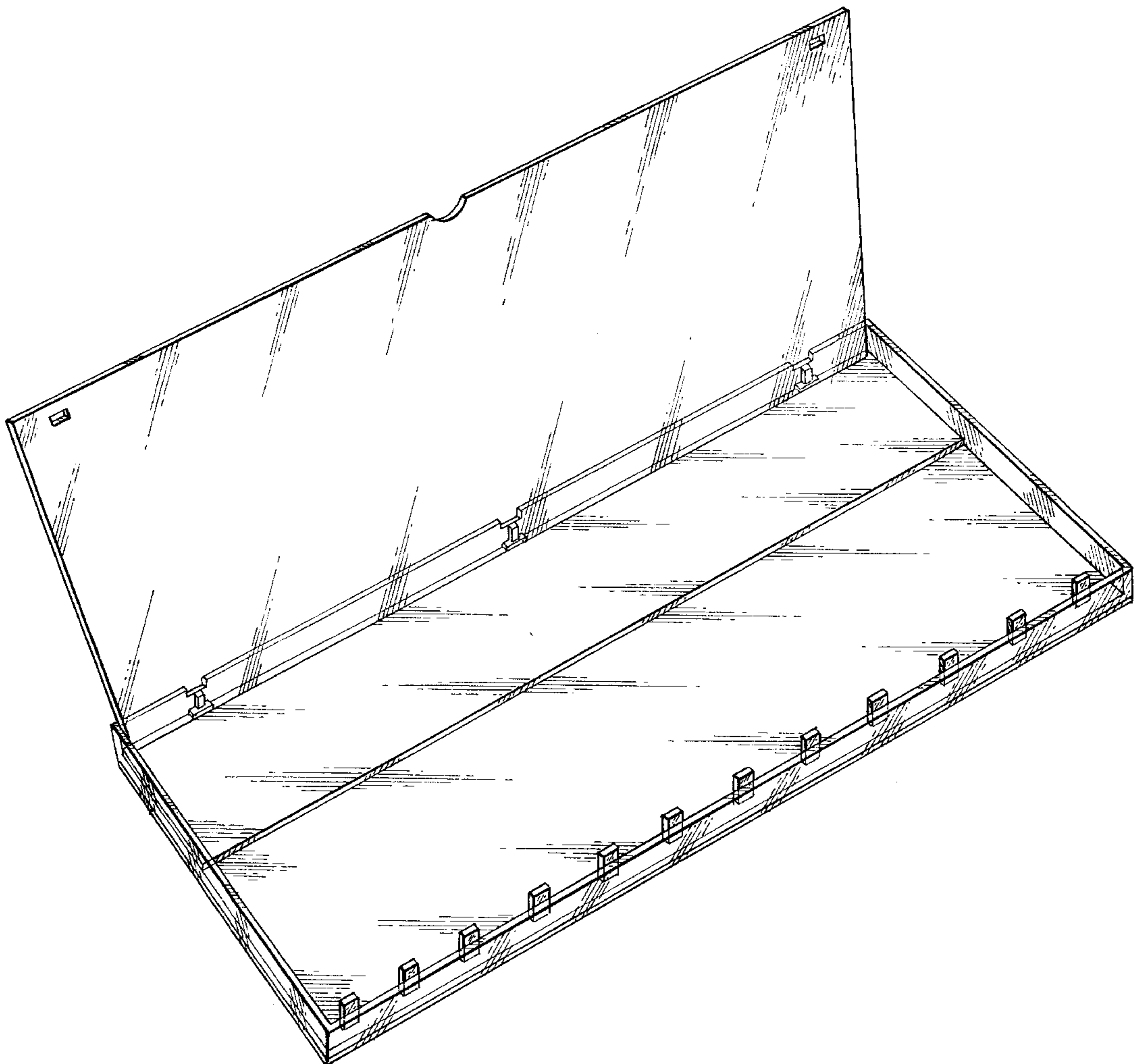
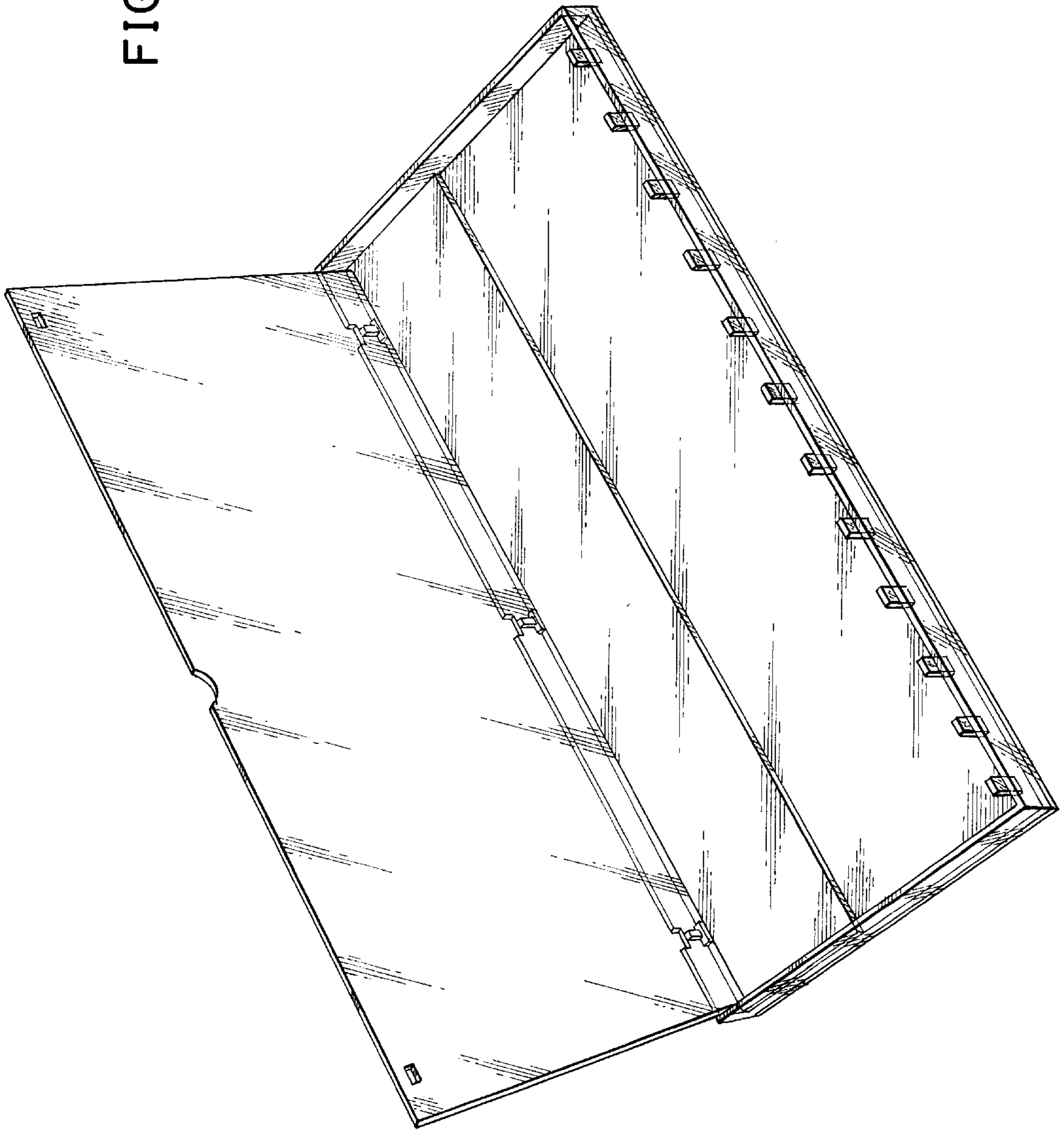


FIG. 1



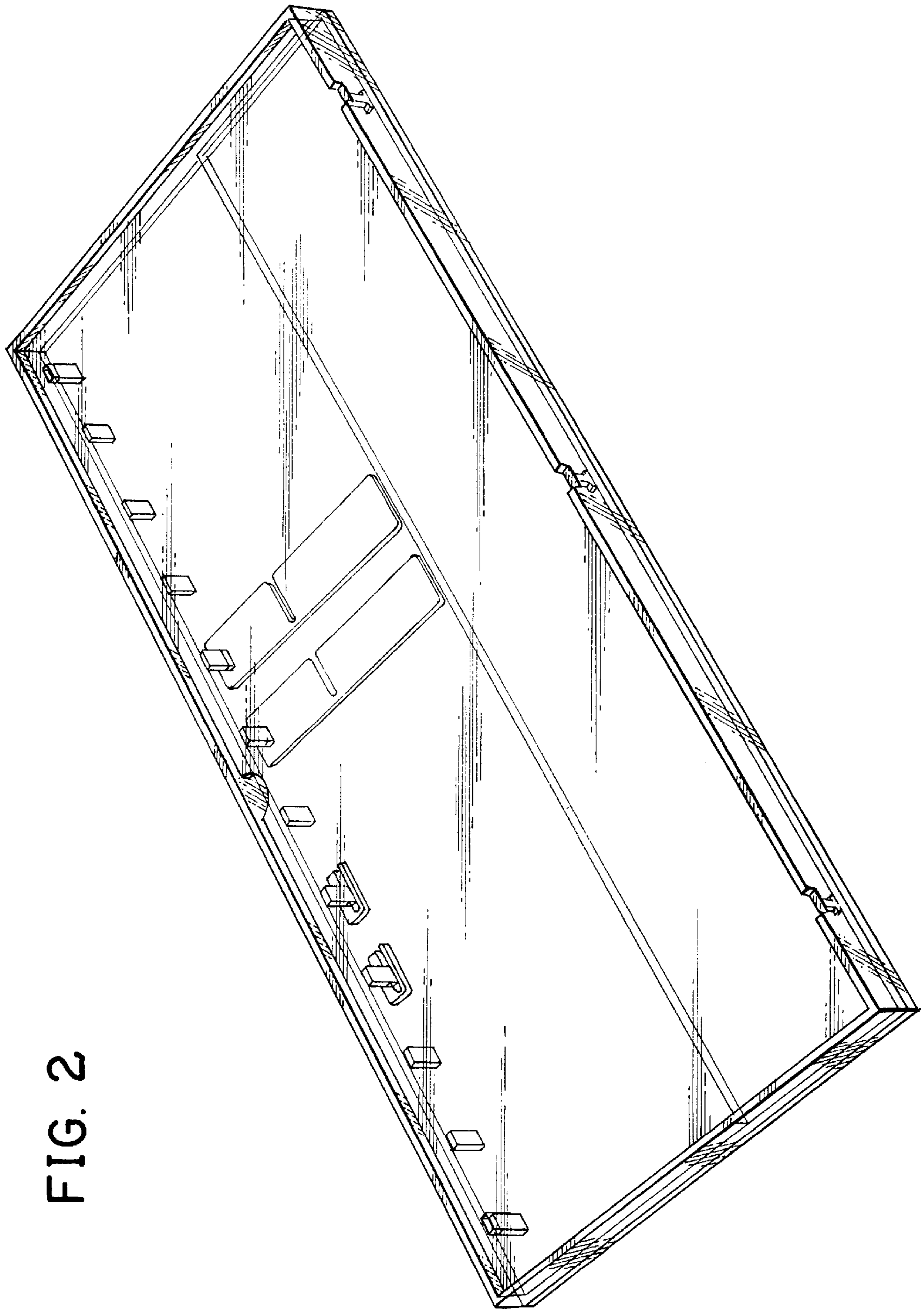
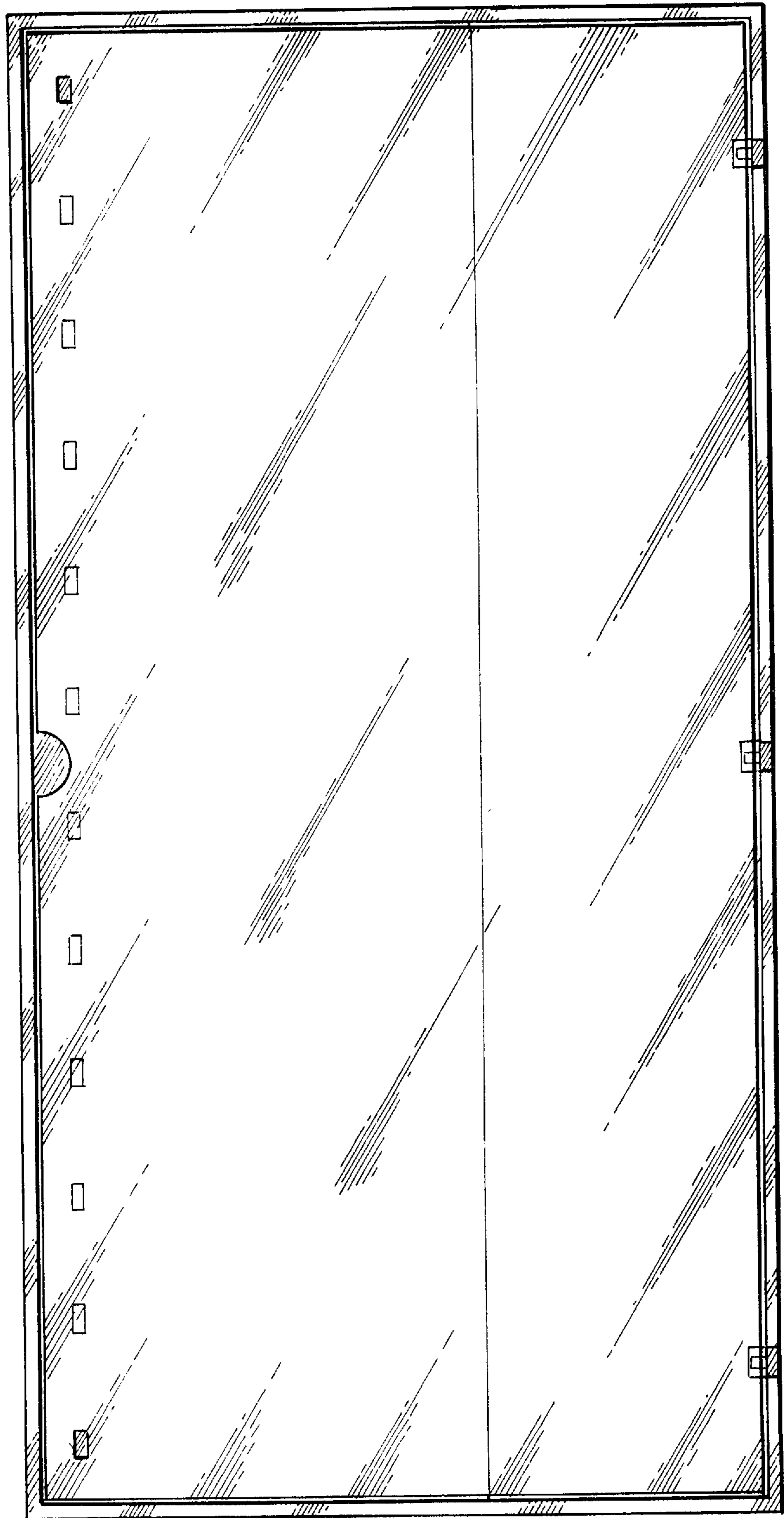


FIG. 2

FIG. 3



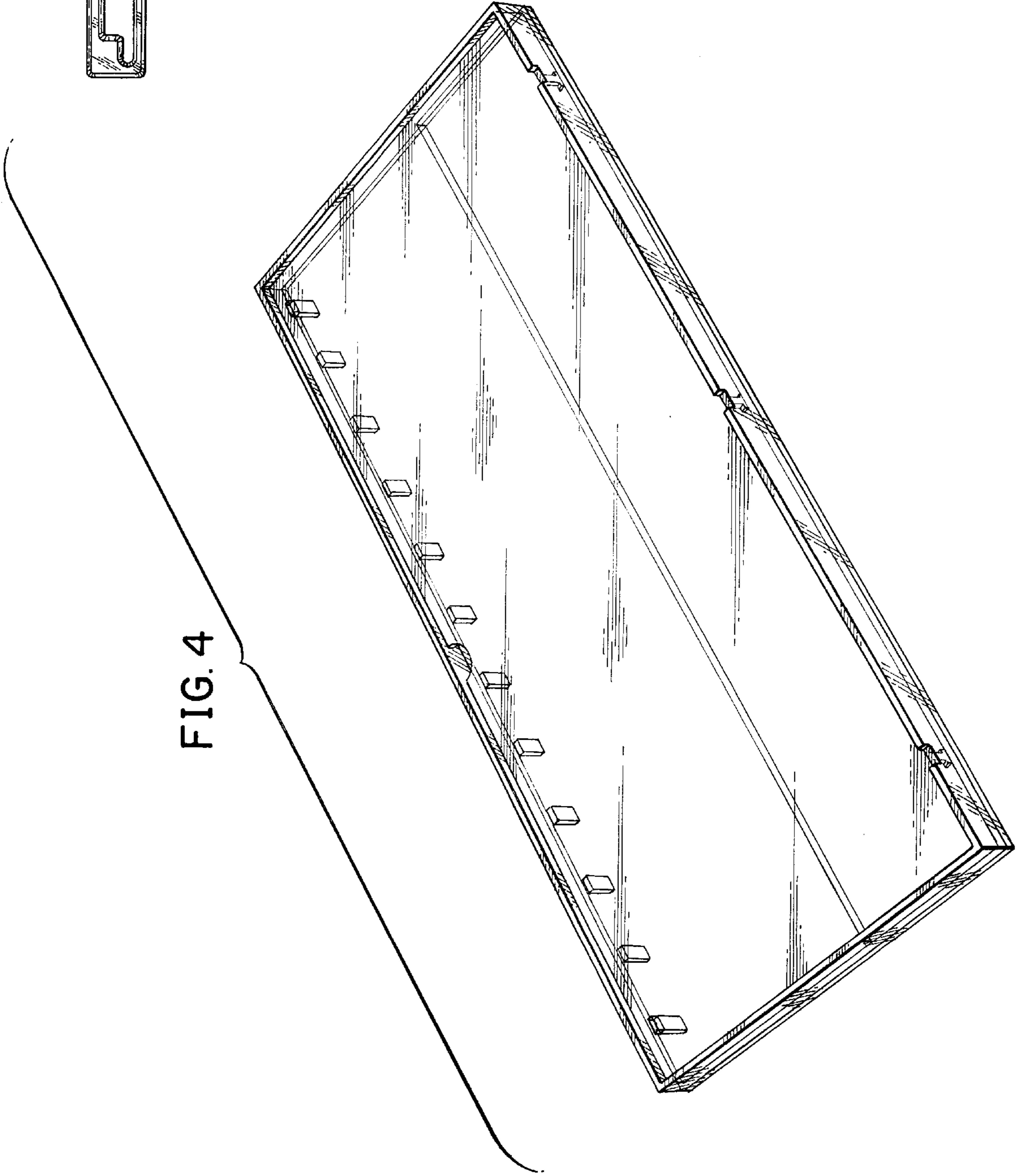
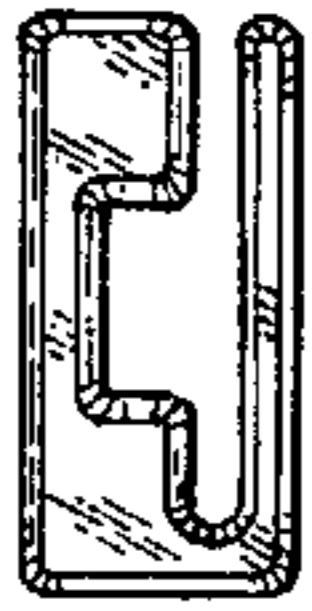
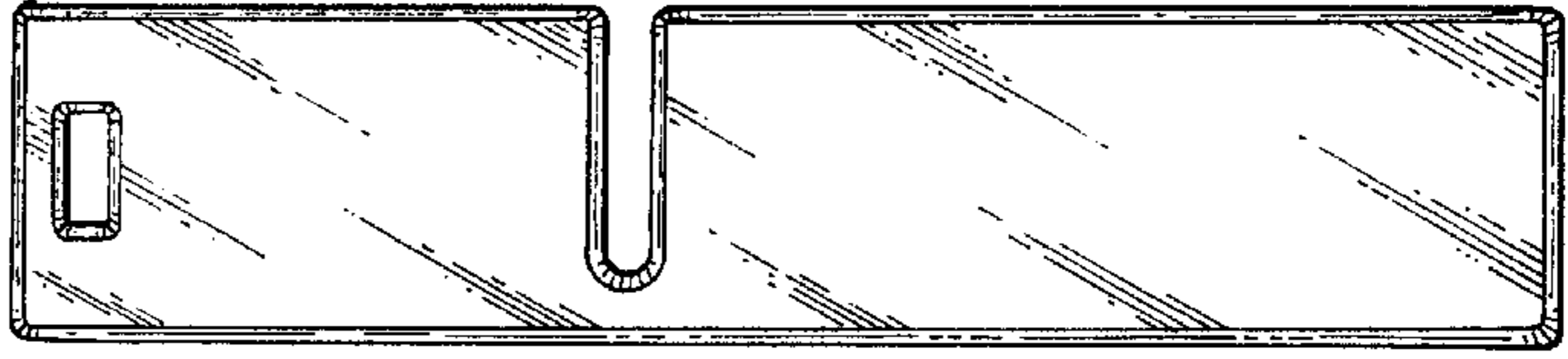


FIG. 4

FIG. 5

