



US00D408655S

United States Patent [19] Khalaj

[11] **Patent Number: Des. 408,655**

[45] **Date of Patent: **Apr. 27, 1999**

[54] **STACKABLE ORGANIZER BIN**

[76] Inventor: **Ben Khalaj**, 106 Arista, San Clemente, Calif. 92673

[**] Term: **14 Years**

[21] Appl. No.: **29/089,638**

[22] Filed: **Jun. 19, 1998**

[51] **LOC (6) Cl. 06-04**

[52] **U.S. Cl. D6/457**

[58] **Field of Search** D6/455, 457, 466-469, D6/475-477, 509-511; D9/341, 347; D7/501, 553.6, 553.8, 590, 596, 505, 554.1, 554.2; D99/34; 211/71.01, 74, 77, 78, 126.1, 126.4, 126.14, 133.1, 133.4; 206/769-774, 1.7, 1.8, 503, 557-565; 220/4.01, 500, 507; D21/56

[56] **References Cited**

U.S. PATENT DOCUMENTS

D. 55,495 6/1920 White D7/590

D. 228,443 9/1973 Mitchell D9/341
D. 285,638 9/1986 Trivison D7/557
D. 354,869 1/1995 Salyer D6/457
D. 393,775 4/1998 Otero D7/553.6

Primary Examiner—James Gandy
Assistant Examiner—Linda Brooks

[57] **CLAIM**

The ornamental design for a stackable organizer bin, as shown and described.

DESCRIPTION

FIG. 1 is a rear elevation view of a stackable organizer bin showing my new design, with the broken line showing of two other bins, central support, and base member for illustrative purposes only and forming no part of the claimed design;

FIG. 2 is a top plan view thereof;

FIG. 3 is a front elevation view thereof;

FIG. 4 is a bottom plan view thereof;

FIG. 5 is a bottom & side perspective view thereof; and,

FIG. 6 is a top & side perspective view thereof.

1 Claim, 3 Drawing Sheets

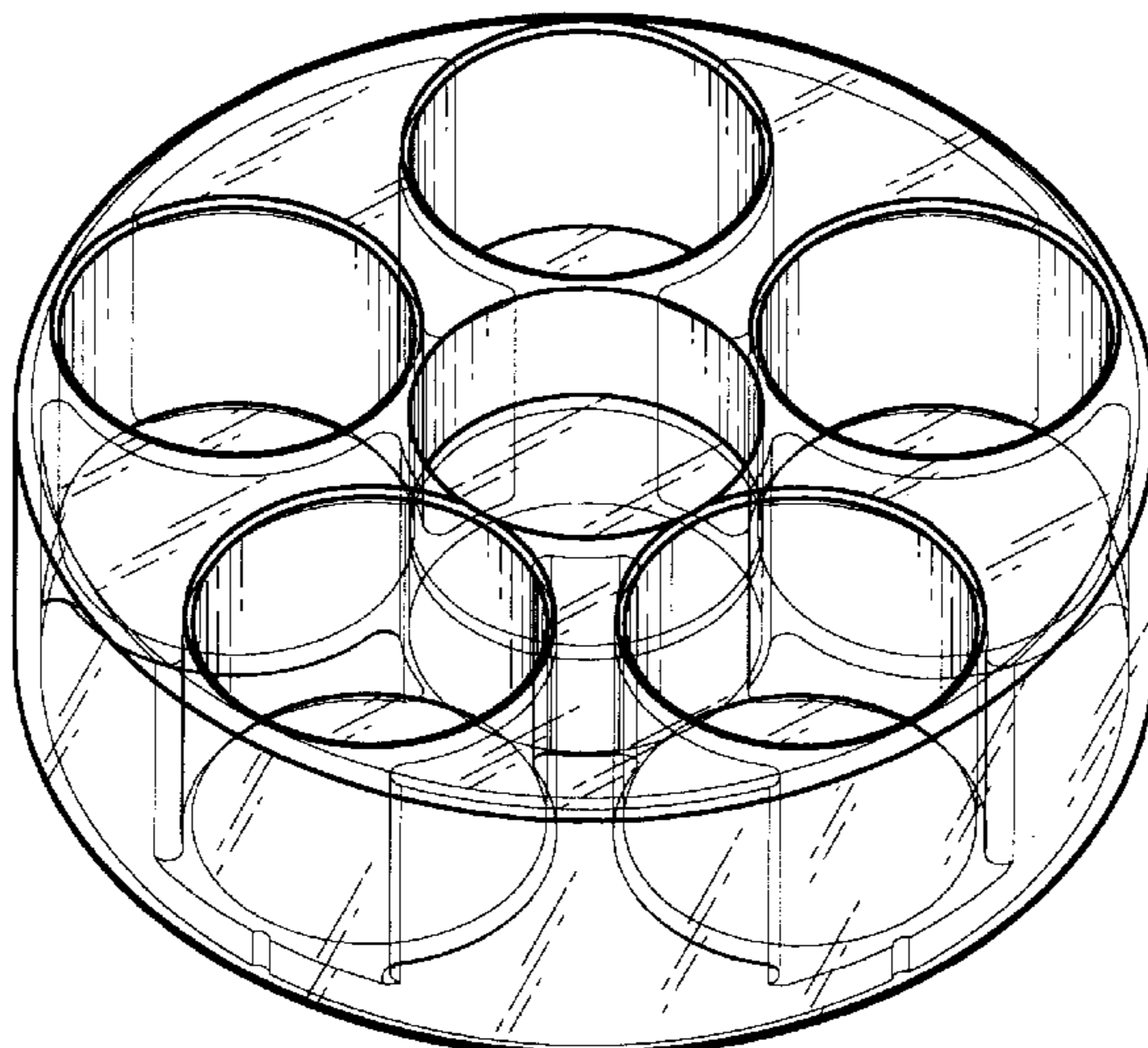
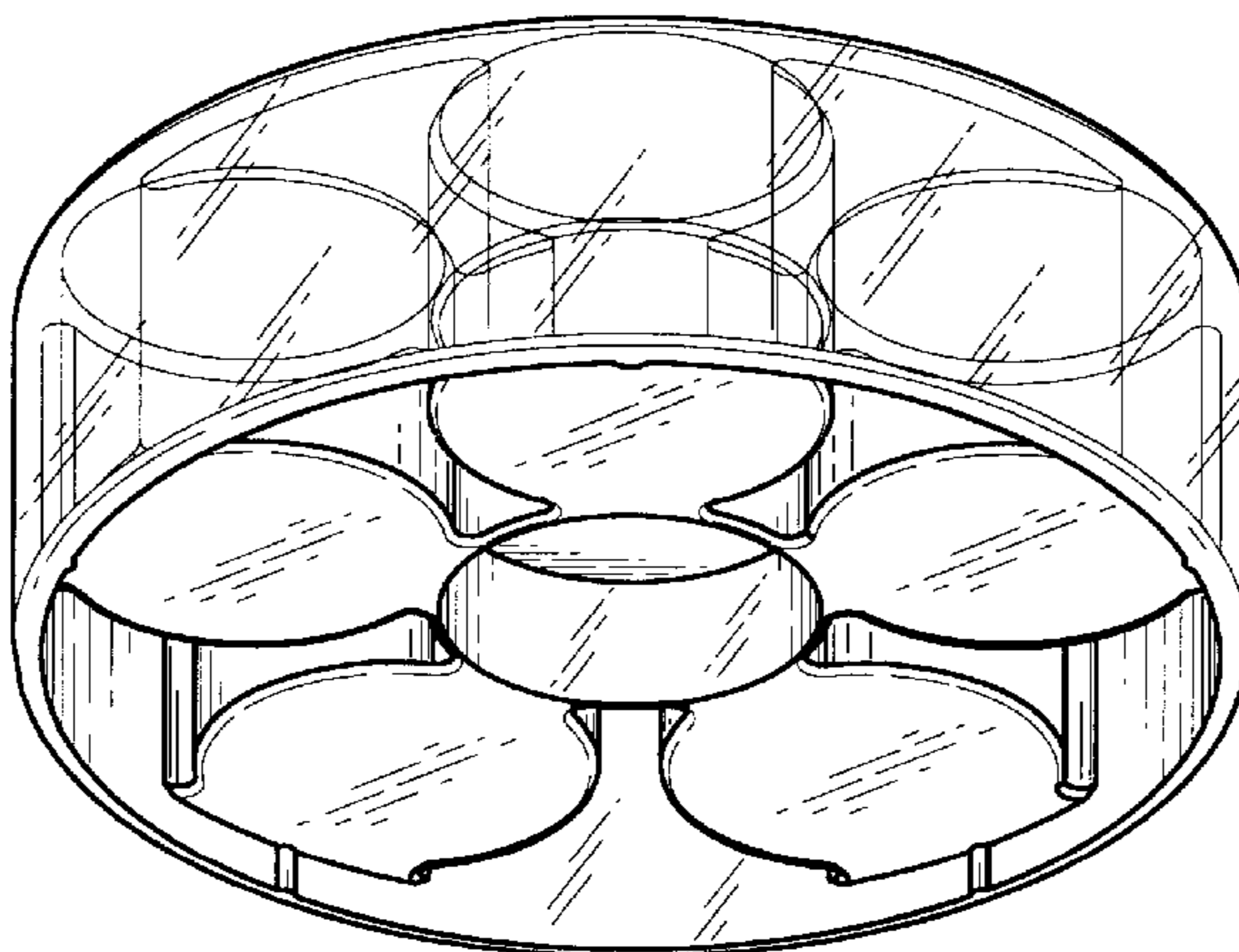


Fig. 1

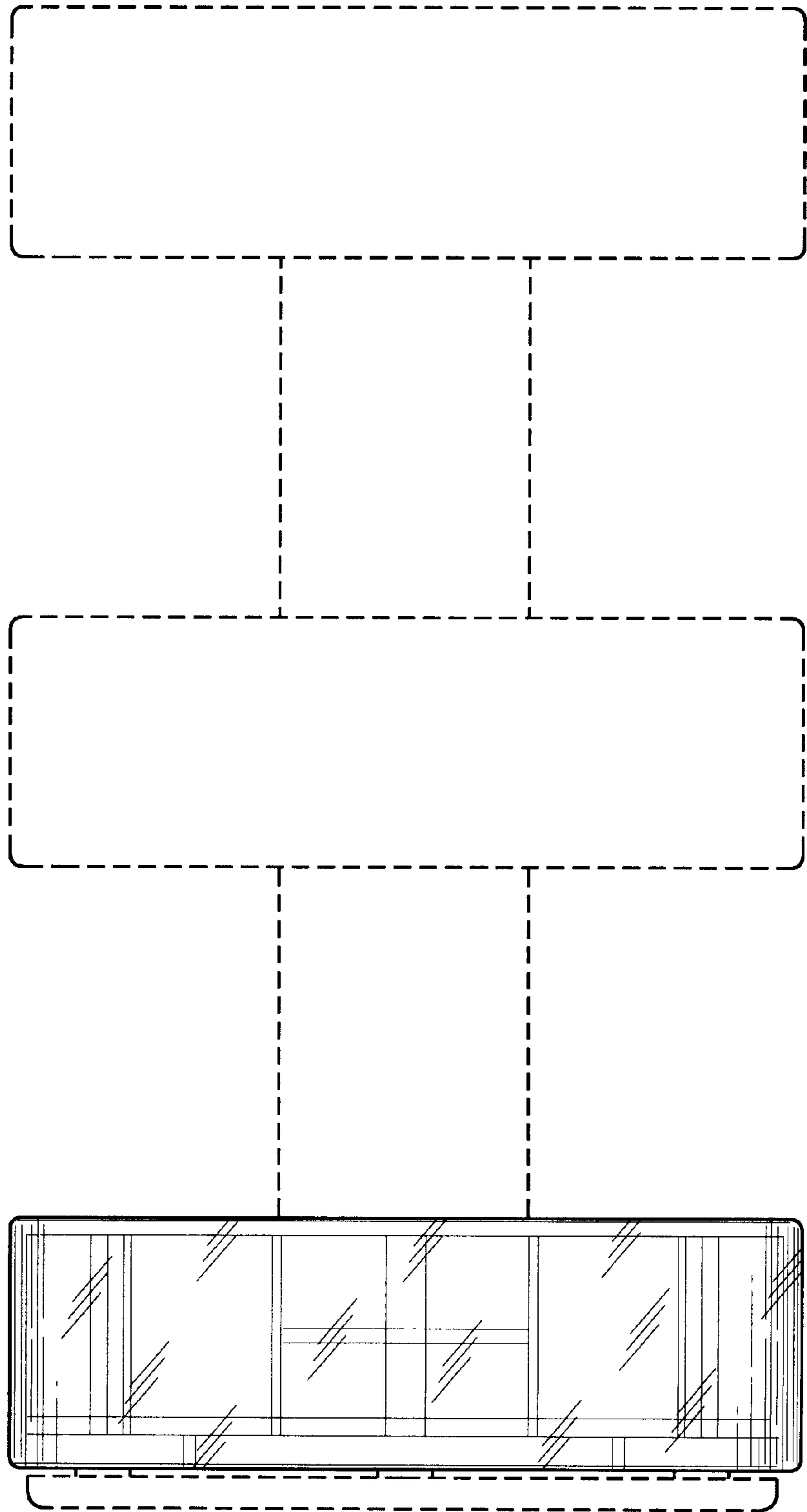


Fig. 2

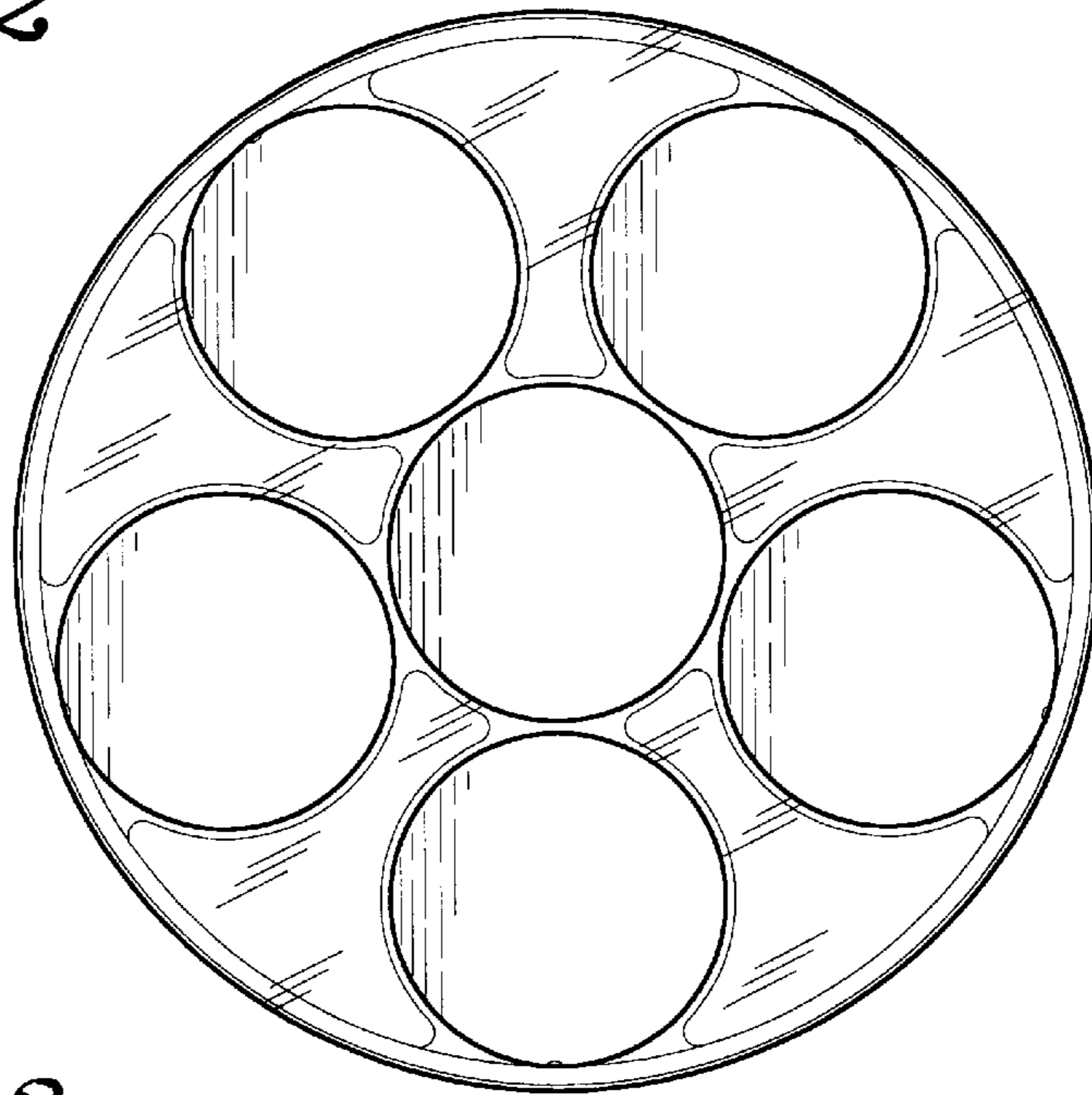


Fig. 3

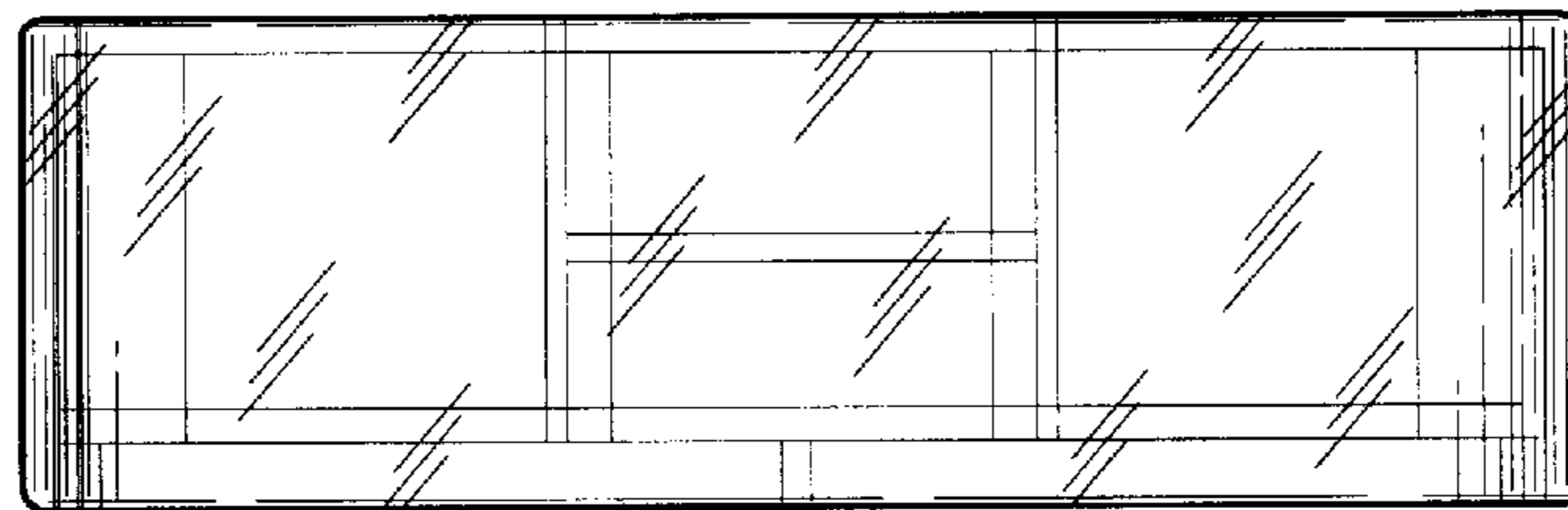


Fig. 4

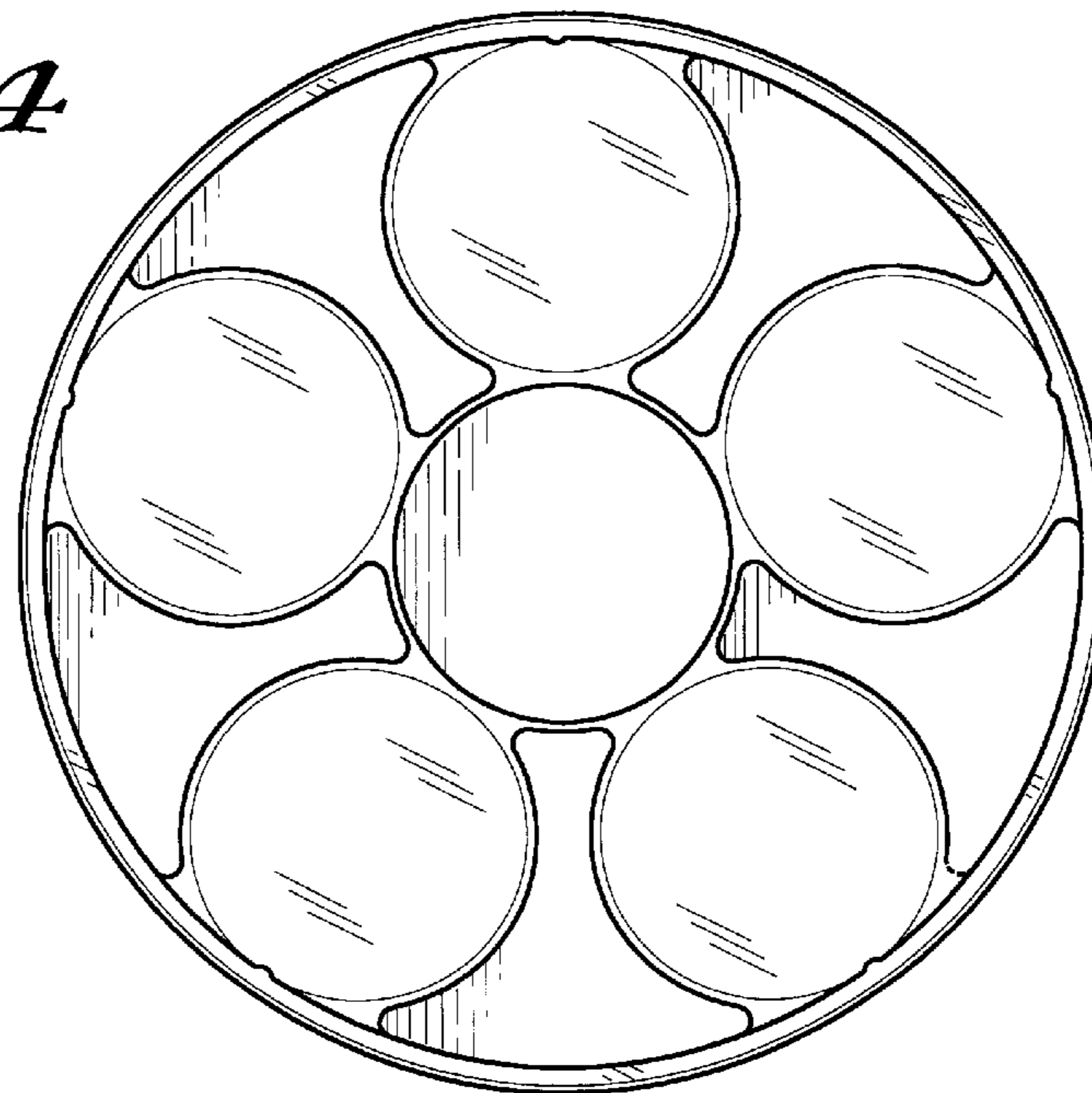


Fig. 5

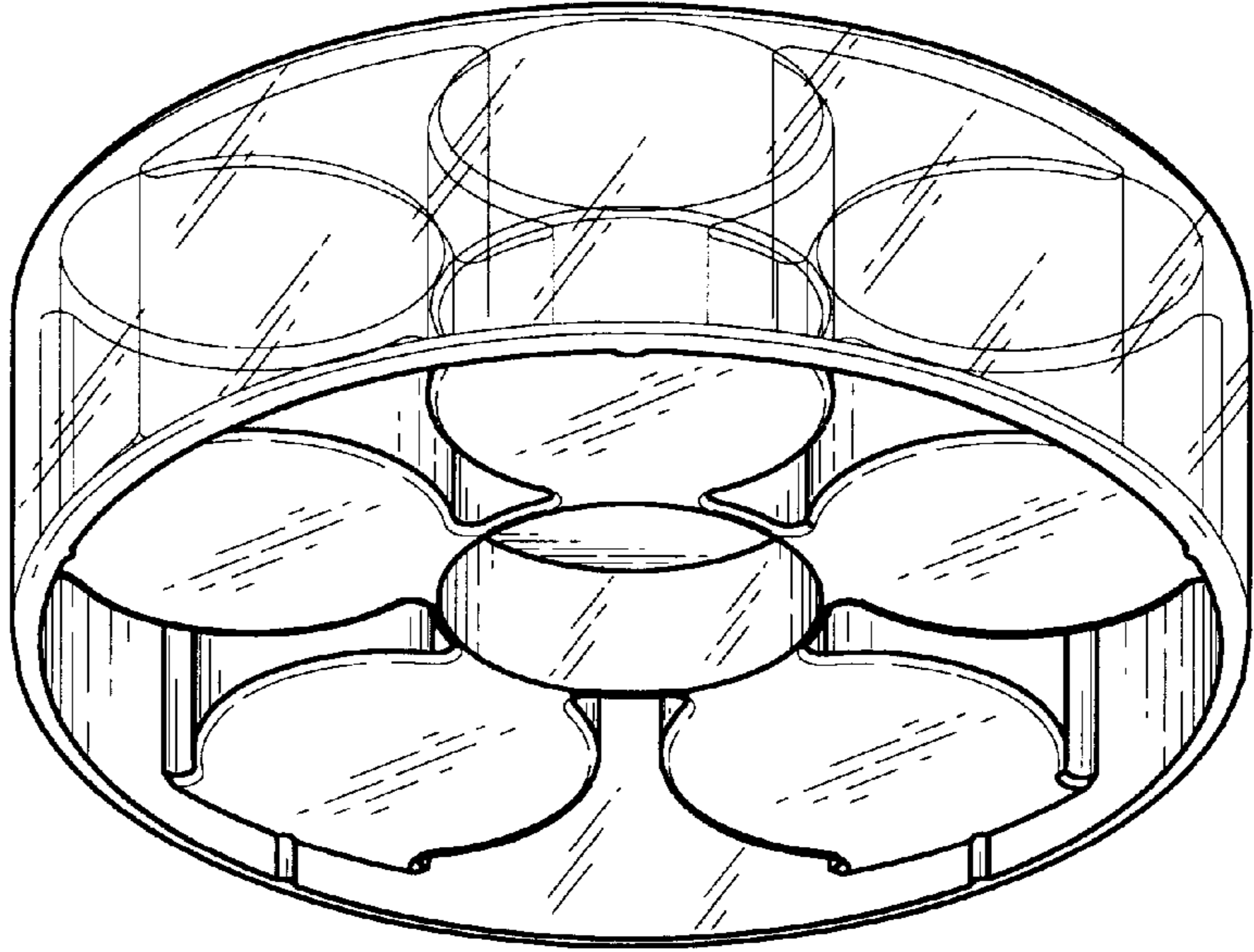


Fig. 6

