



US00D408651S

United States Patent [19] Ditonto

[11] Patent Number: **Des. 408,651**

[45] Date of Patent: ****Apr. 27, 1999**

[54] **DESK WITH TWO-PART TABLE TOP**

[75] Inventor: **Michael A. Ditonto**, Orchard Park, N.Y.

[73] Assignee: **Signore, Incorporated**, Ellicottville, N.Y.

[**] Term: **14 Years**

[21] Appl. No.: **29/084,844**

[22] Filed: **Mar. 11, 1998**

[51] **LOC (6) Cl.** **06-04**

[52] **U.S. Cl.** **D6/425; D6/431**

[58] **Field of Search** D6/419-431; 312/194-196; 248/280.11; 108/3, 10, 25, 147

[56] **References Cited**

U.S. PATENT DOCUMENTS

D. 326,566	6/1992	Abraham et al.	D6/426
D. 327,790	7/1992	Sharar	D6/431 X
D. 370,579	6/1996	Simon	D6/429 X
D. 372,812	8/1996	Graziano et al.	D6/429
D. 381,835	8/1997	Corpuz, Jr. et al.	D6/426
D. 398,166	9/1998	Mitchell	D6/426 X
5,322,025	6/1994	Sherman et al.	108/147

5,437,235	8/1995	Randolph	108/25
5,443,017	8/1995	Wacker et al.	108/3
5,501,420	3/1996	Watt et al.	248/280.11
5,522,323	6/1996	Richard	108/10
5,526,756	6/1996	Watson	108/147

Primary Examiner—Carmen H. Vales-Lado
Attorney, Agent, or Firm—Simpson, Simpson & Snyder

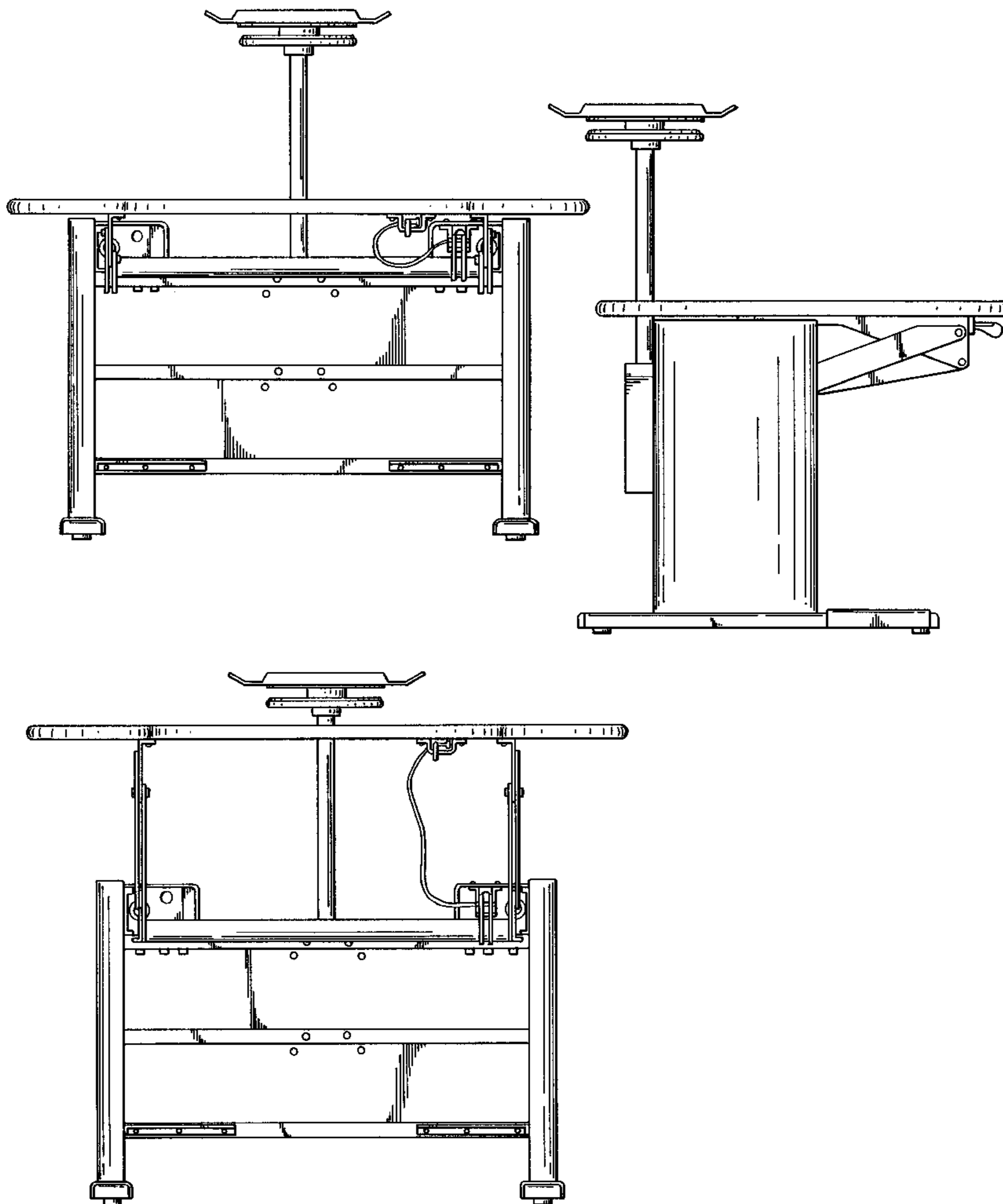
[57] **CLAIM**

The ornamental design for a desk with two-part table top, as shown and described.

DESCRIPTION

FIG. 1 is a front elevational view of a desk with two-part table top showing my new design; FIG. 2 is a rear elevational view thereof; FIG. 3 is a left side elevational view thereof; FIG. 4 is a right side elevational view thereof; FIG. 5 is a top plan view thereof; FIG. 6 is a front elevational view in raised condition; FIG. 7 is a rear elevational view thereof; FIG. 8 is a left side elevational view thereof; FIG. 9 is a right side elevational view thereof; and, FIG. 10 is a top plan view thereof.

1 Claim, 5 Drawing Sheets



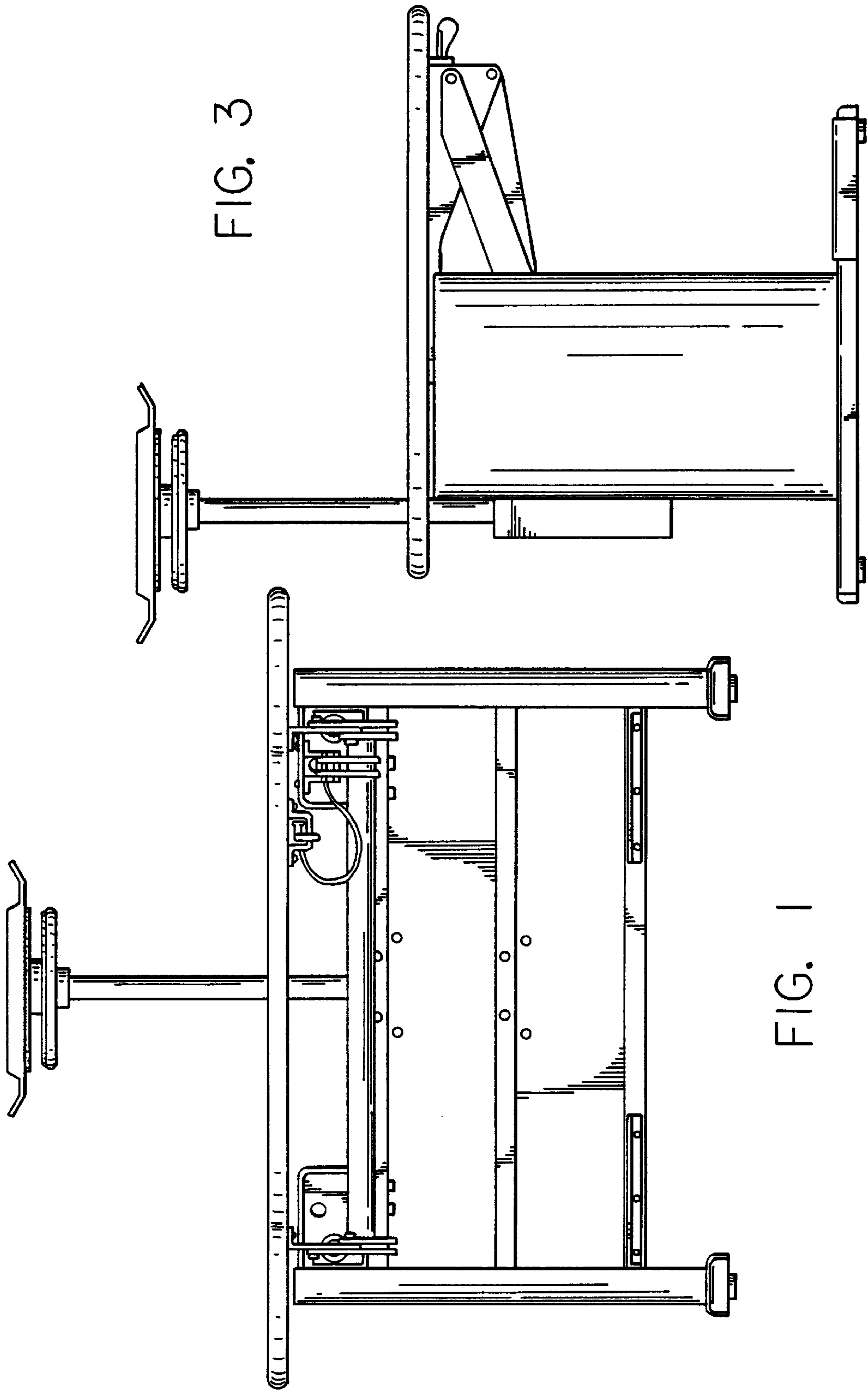


FIG. 3

FIG. 1

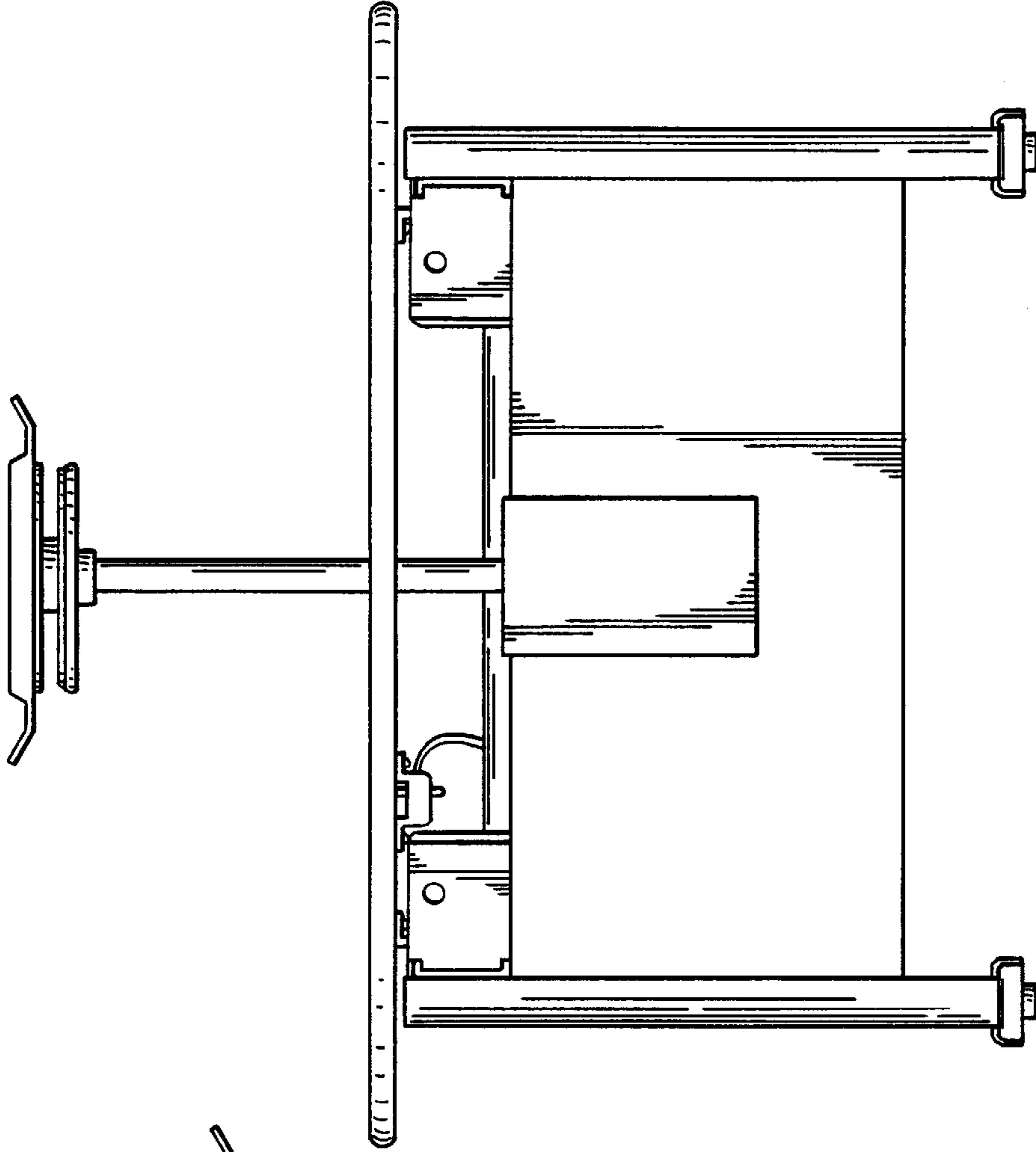


FIG. 2

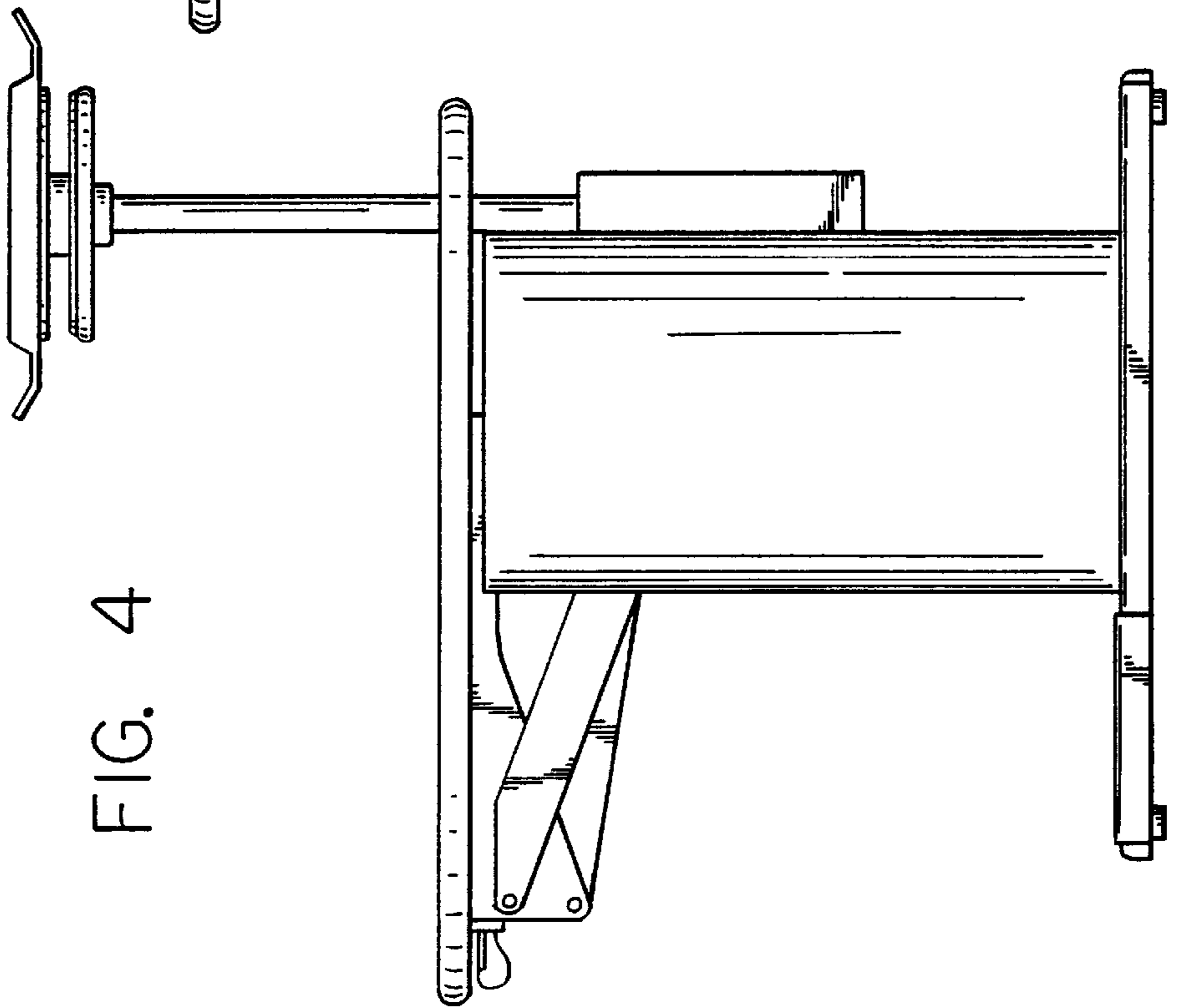


FIG. 4

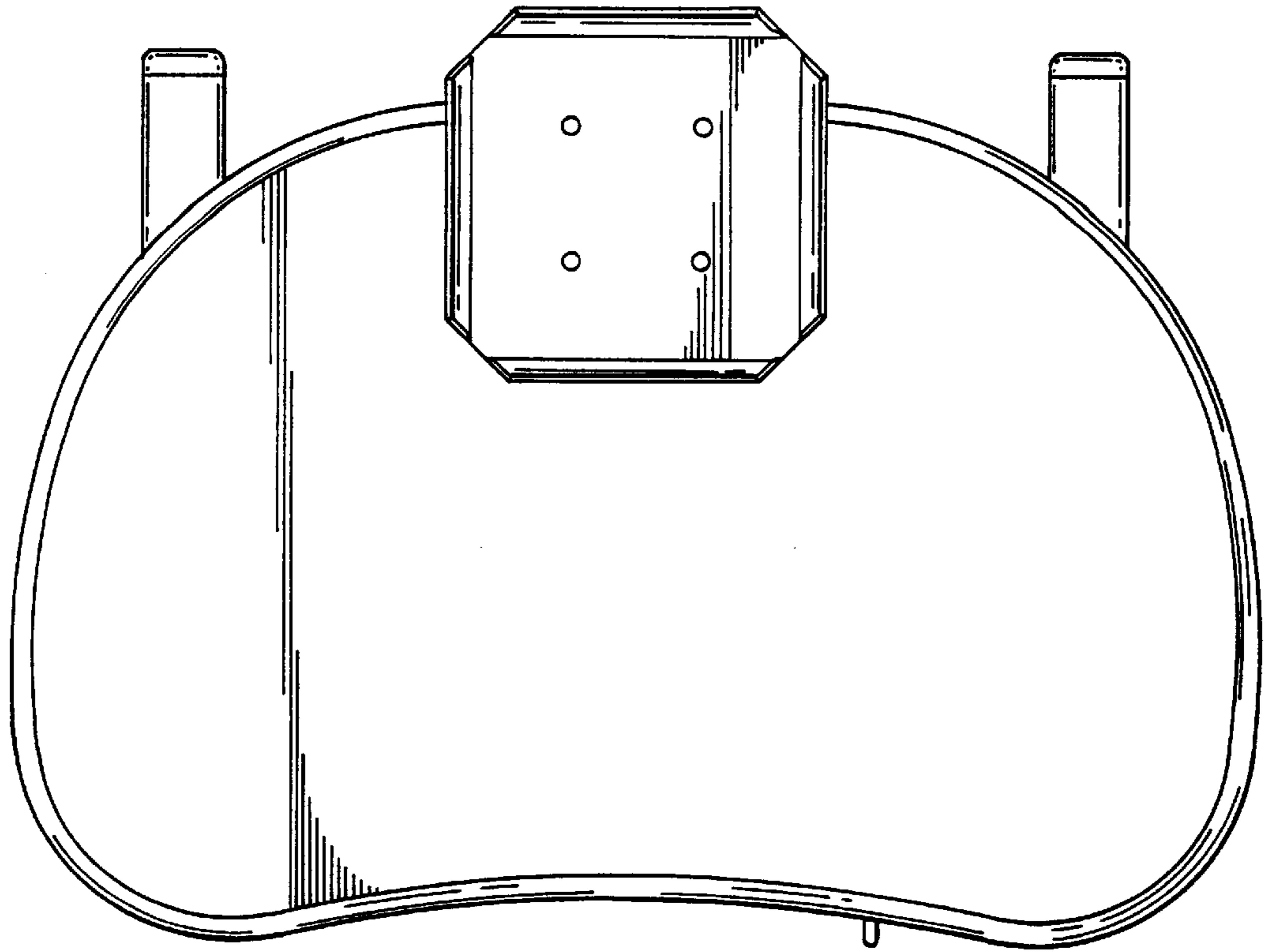


FIG. 5

FIG. 10

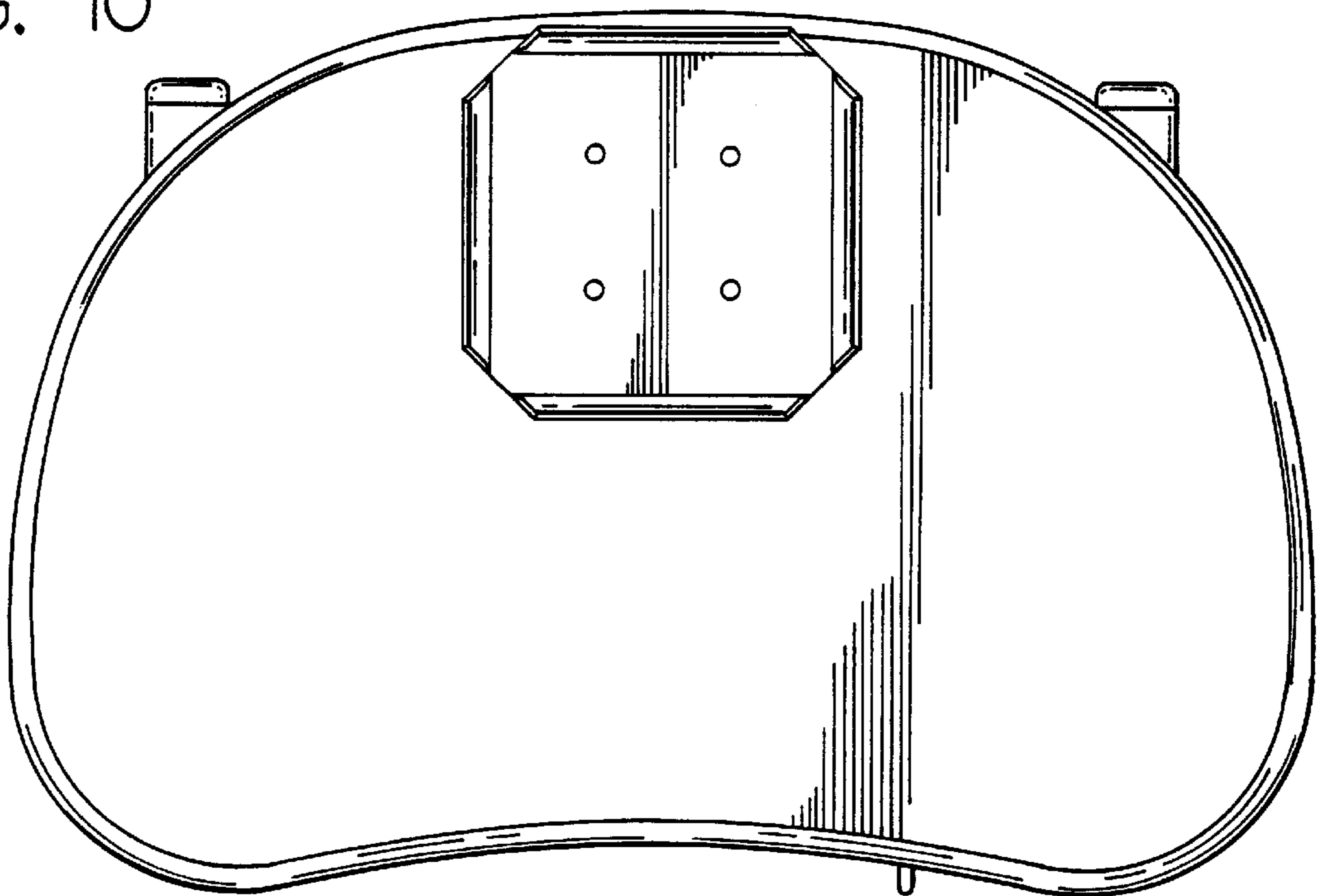


FIG. 8

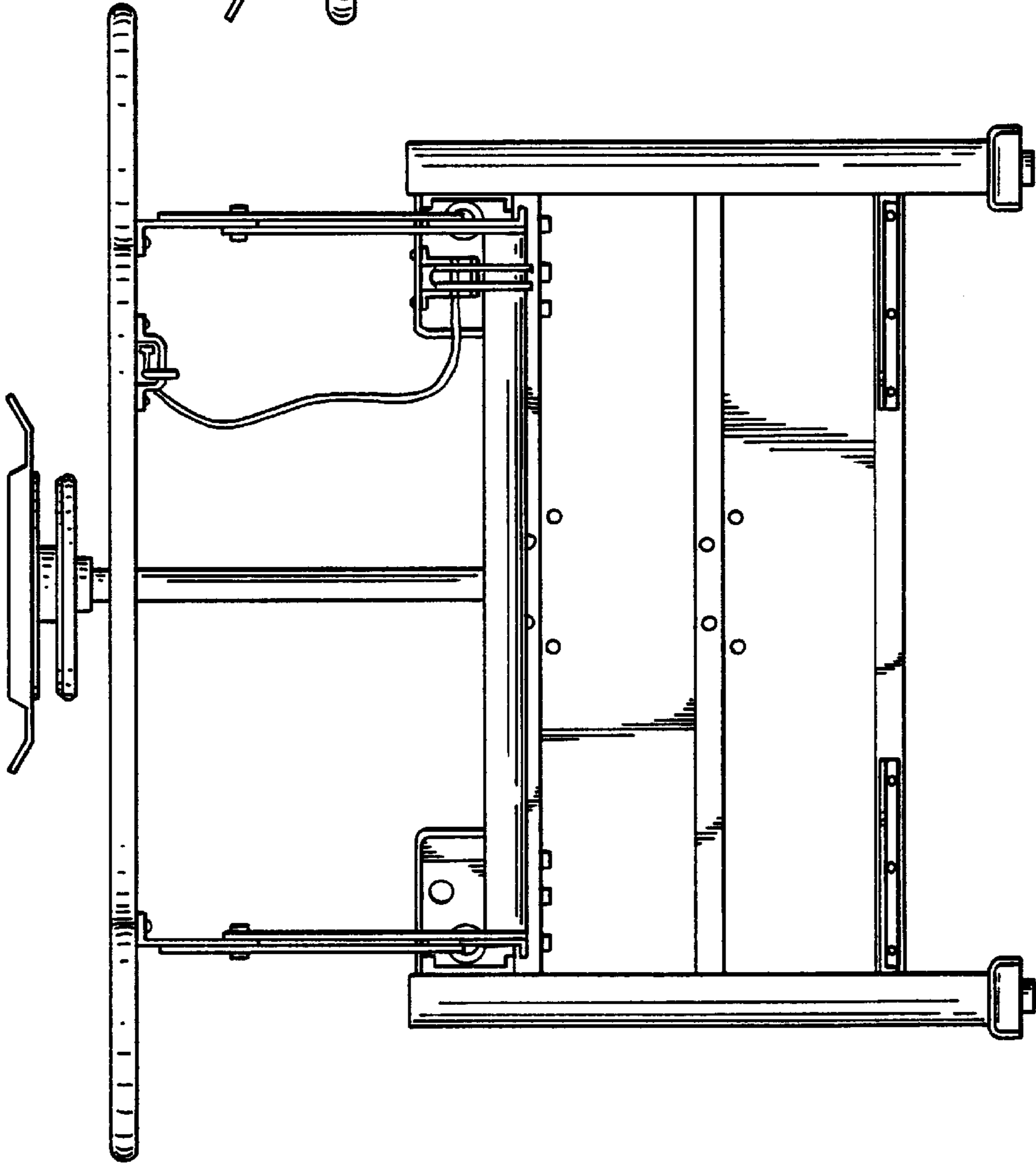
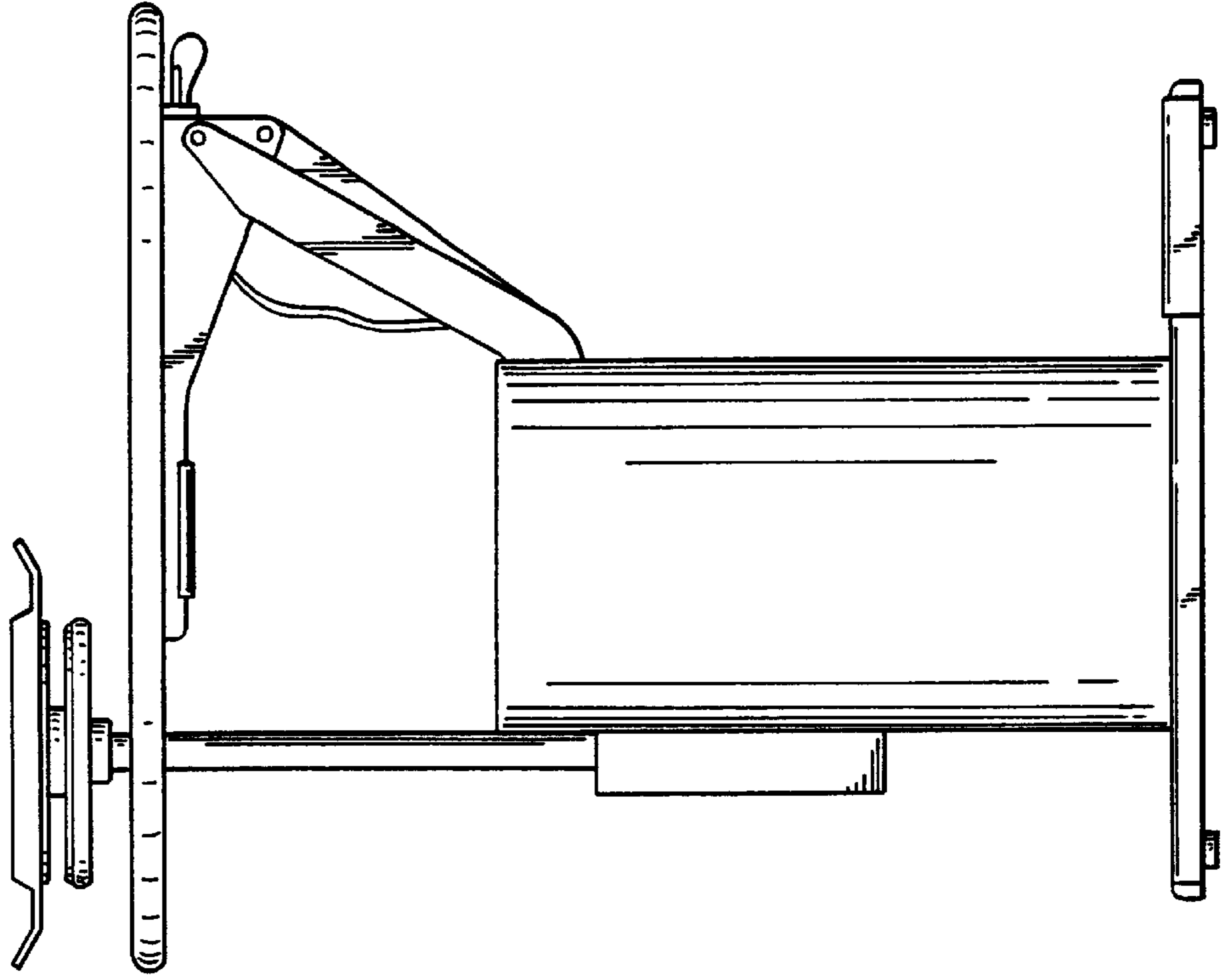


FIG. 6

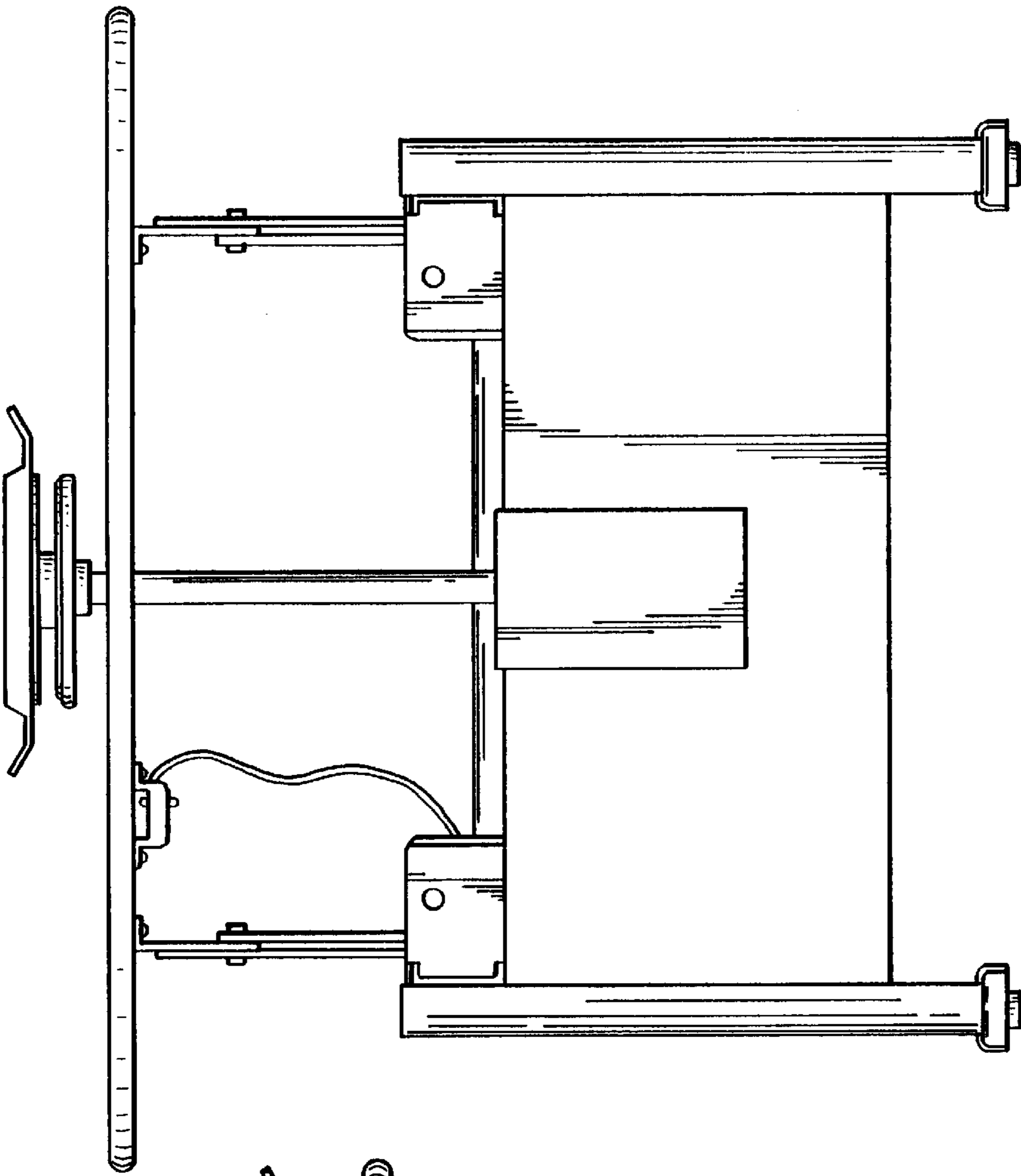


FIG. 7

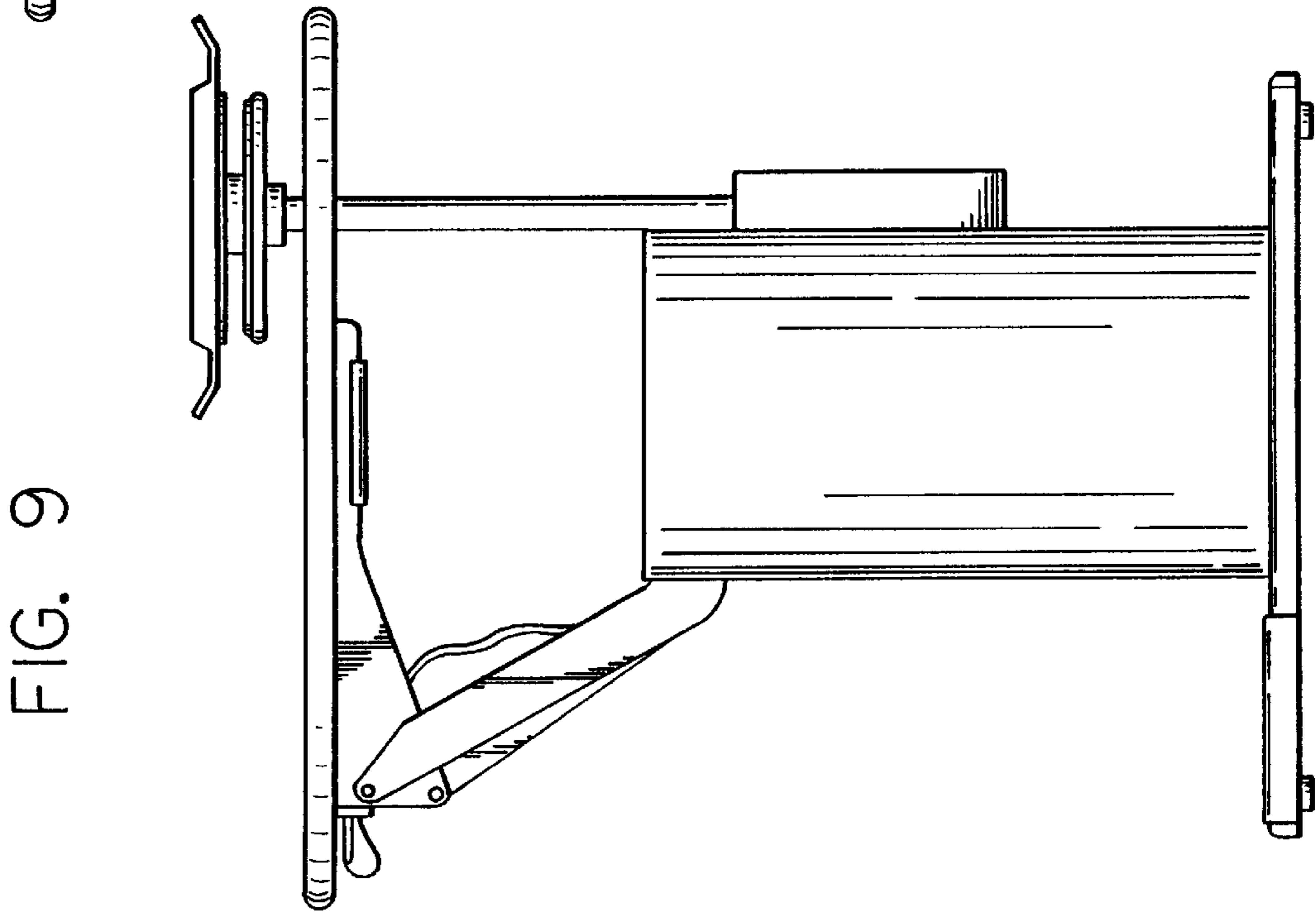


FIG. 9