



US00D408648S

# United States Patent [19]

Walters, III et al.

[11] Patent Number: **Des. 408,648**

[45] Date of Patent: **\*\*Apr. 27, 1999**

[54] **BEDSTEAD**

[75] Inventors: **Guy A. Walters, III**, High Point; **Avis Edward Tobin, Jr.**, Thomasville, both of N.C.

[73] Assignee: **Thomasville Furniture Industries, Inc.**, Thomasville, N.C.

[\*\*] Term: **14 Years**

[21] Appl. No.: **29/086,882**

[22] Filed: **Apr. 22, 1998**

[51] **LOC (6) Cl.** ..... **06-01**

[52] **U.S. Cl.** ..... **D6/395**

[58] **Field of Search** ..... D6/382, 383, 393-395, D6/505-508; 5/53.1, 279.1, 280, 907

### [56] **References Cited**

#### U.S. PATENT DOCUMENTS

D. 76,689	10/1929	Jorgensen	.....	D6/393
D. 316,636	5/1991	Fisher	.....	D6/395
D. 349,614	8/1994	Ferguson	.....	D6/393

#### OTHER PUBLICATIONS

Levitz, p. 8, bed "A" at top.  
 Woodward and Lothrop Directions, Jan 21, 1993, p. 29, bed at top right.  
 Pottery Barn catalog, Riley Headboard, Holiday 1997, p. 49. Shaker Country Collection, 5176C Sleigh Bed by Crawford of Jamestown, date unknown, believed to be prior art.  
 Eden Valley Sleigh Bed by Cochran Furniture, date unknown, believed to be prior art.  
 Slat bed by Kincaid Galleries, date unknown, believed to be prior art.

*Primary Examiner*—Janice E. Seeger  
*Attorney, Agent, or Firm*—Rhodes, Coats & Bennett, L.L.P.

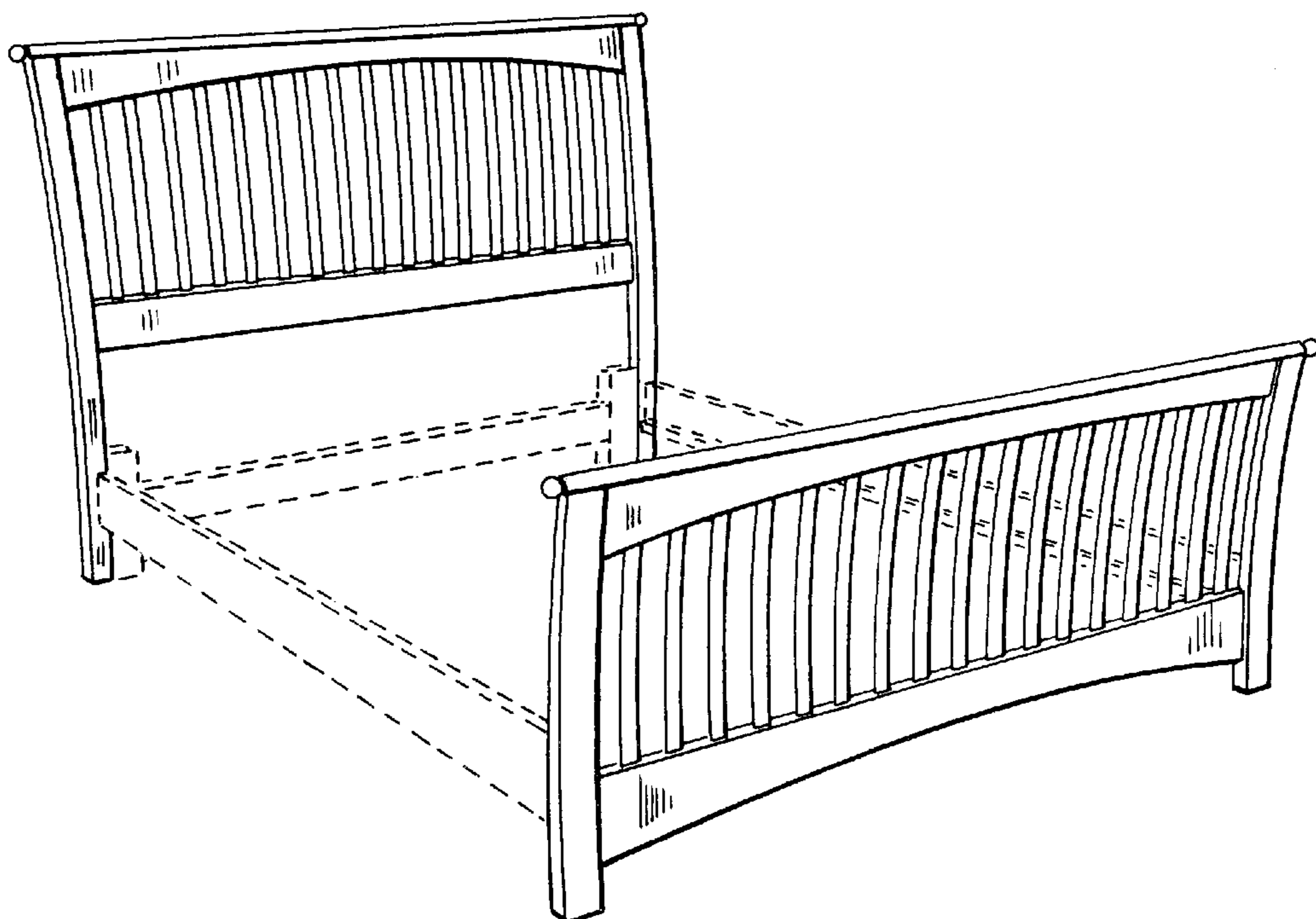
### [57] **CLAIM**

The ornamental design for a bedstead, as shown and described.

### **DESCRIPTION**

FIG. 1 is a front perspective view of a bedstead showing our new design;  
 FIG. 2 is a side elevation view, the opposite side being a mirror image thereof;  
 FIG. 3 is a front perspective view of the headboard section of our new design;  
 FIG. 4 is a front elevation view of the headboard section of our new design;  
 FIG. 5 is an enlarged partial perspective front view of the headboard section thereof;  
 FIG. 6 is a perspective view of the footboard section of our new design;  
 FIG. 7 is an elevation view of the footboard section of our new design;  
 FIG. 8 is a rear elevation view of the footboard section of our new design;  
 FIG. 9 is a partial top view of the headboard section;  
 FIG. 10 is a partial top view of the headboard section;  
 FIG. 11 is a partial top view of the footboard section; and,  
 FIG. 12 is a partial top view of the footboard section.  
 The broken lines are for environmental purposes only and form no part of the claimed design.  
 The bottom view and the rear view of the headboard section (not shown) form no part of the claimed design.

**1 Claim, 5 Drawing Sheets**



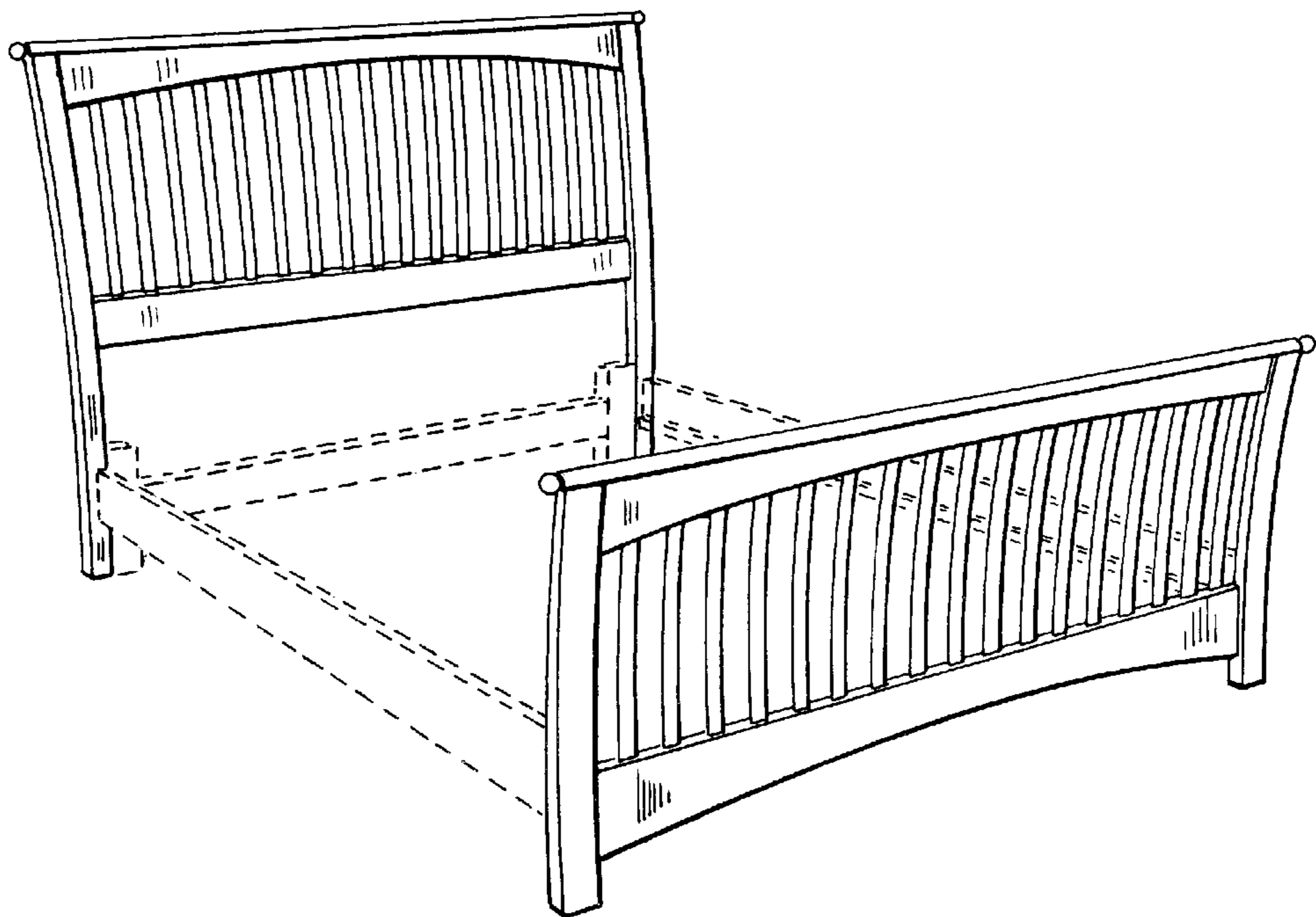


FIG. 1

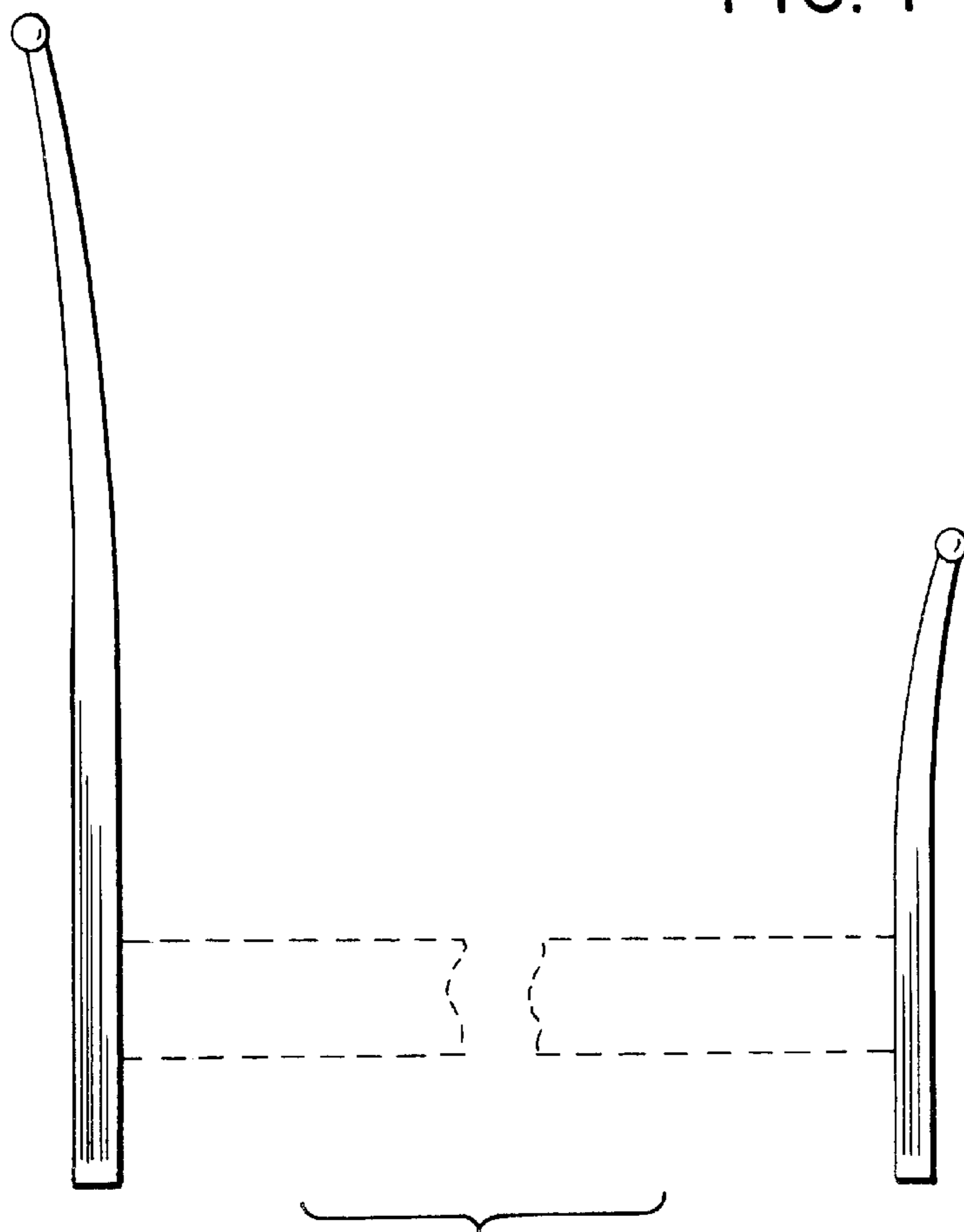


FIG. 2

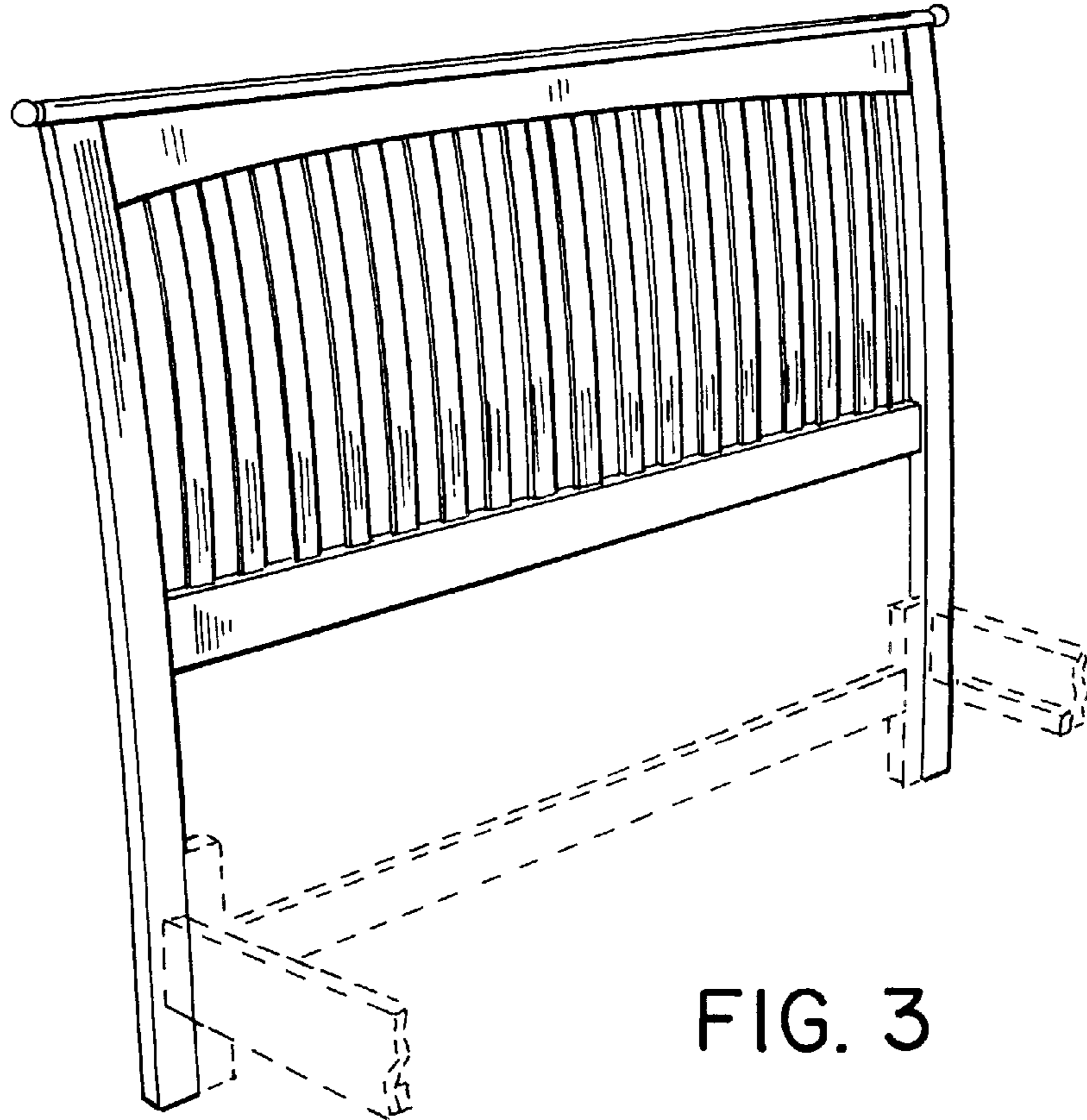


FIG. 3

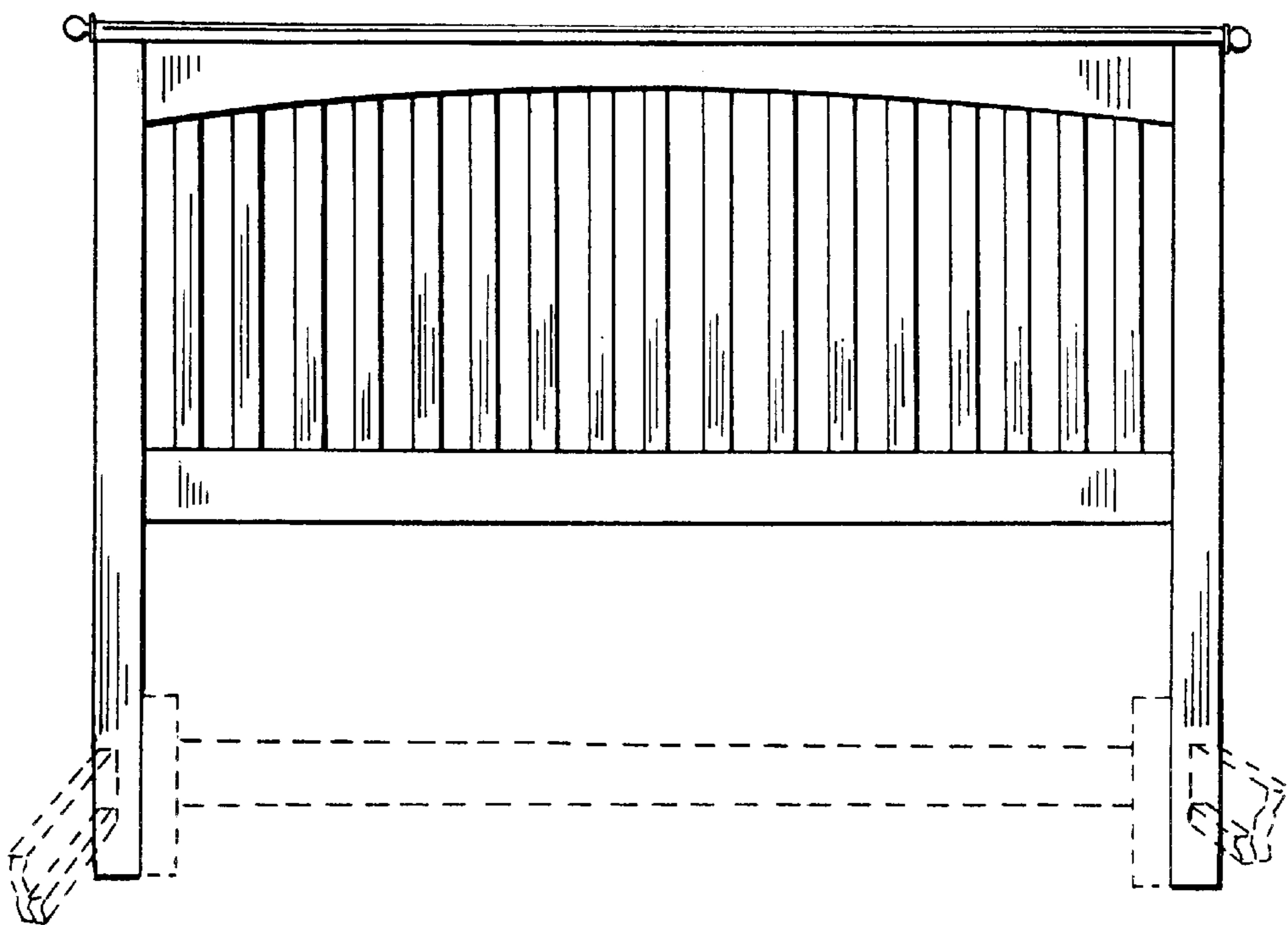


FIG. 4

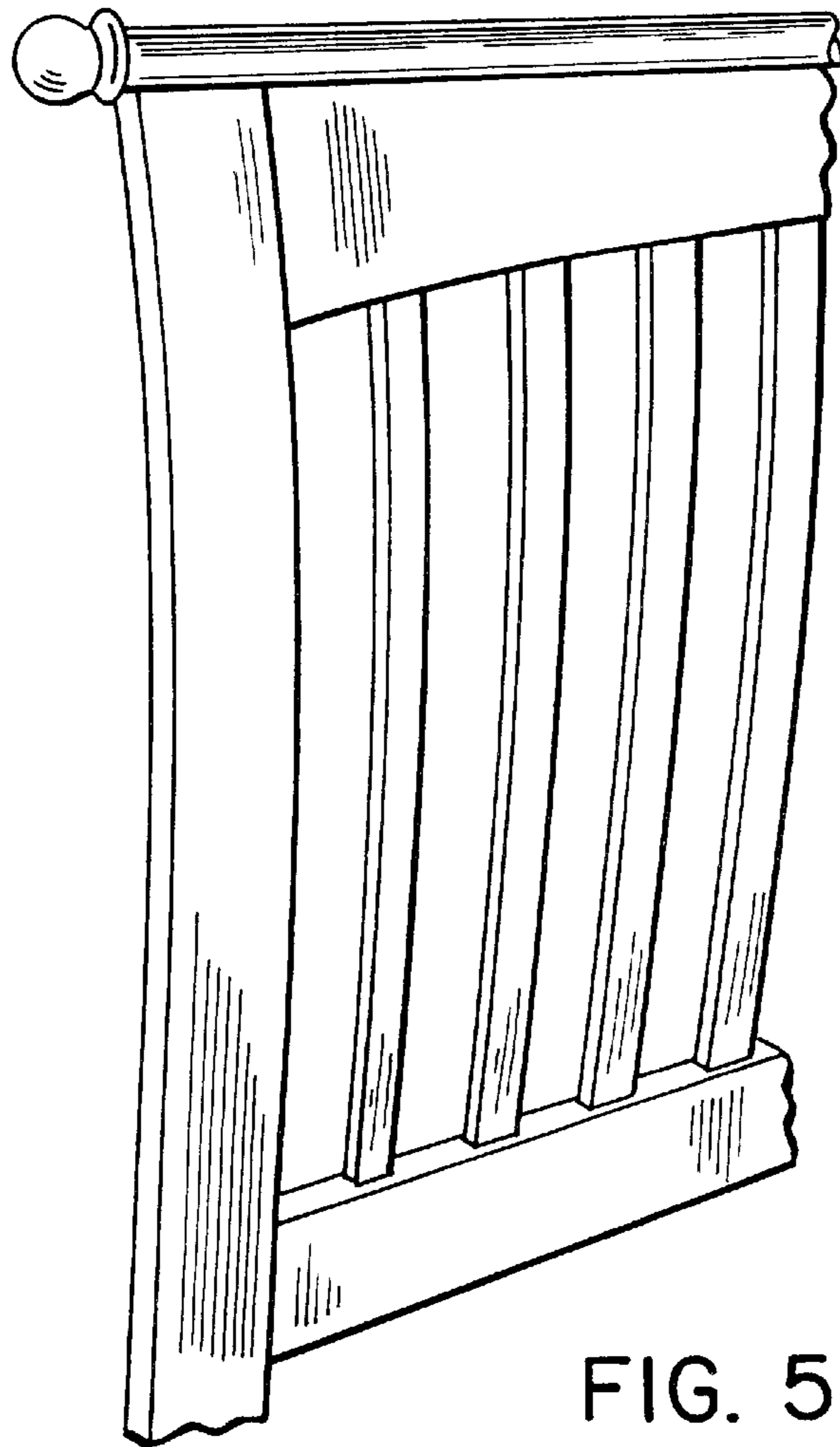


FIG. 5

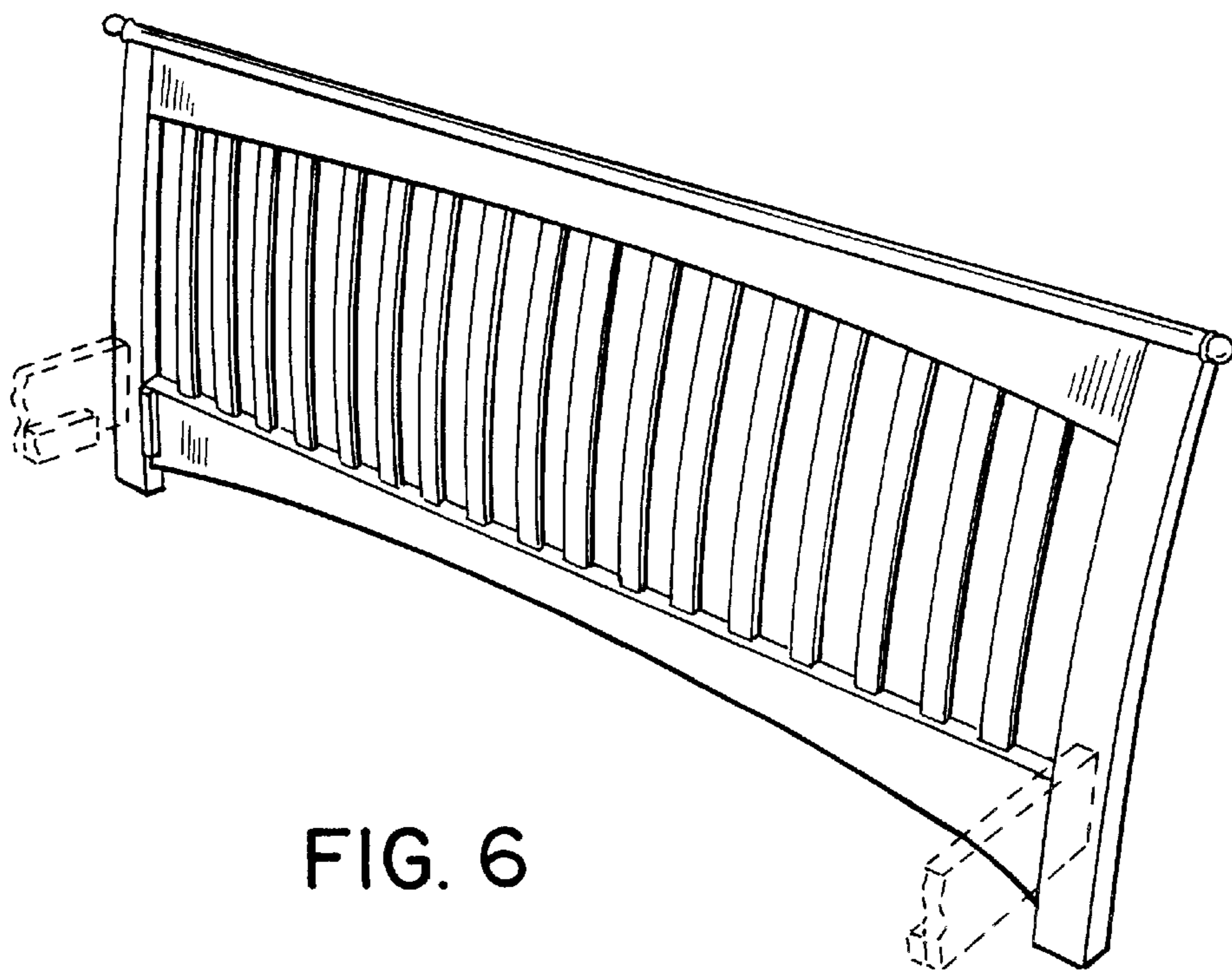


FIG. 6

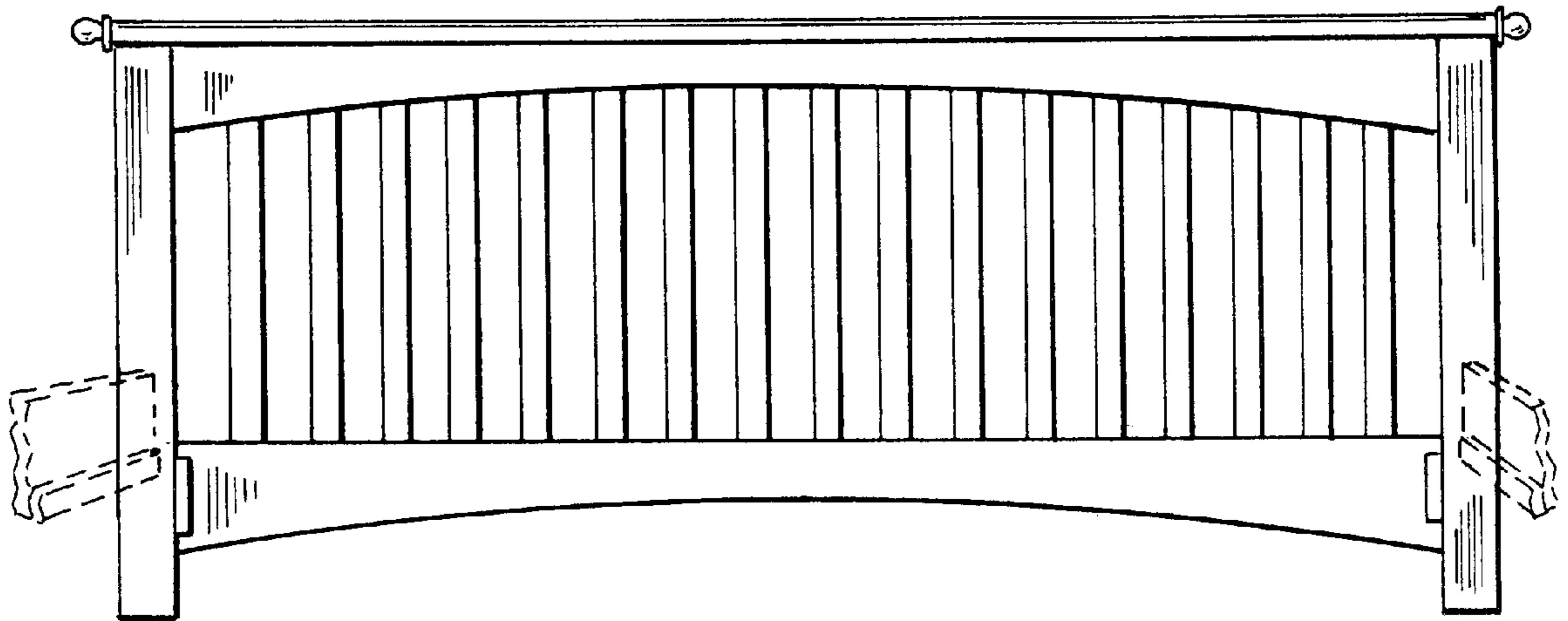


FIG. 7

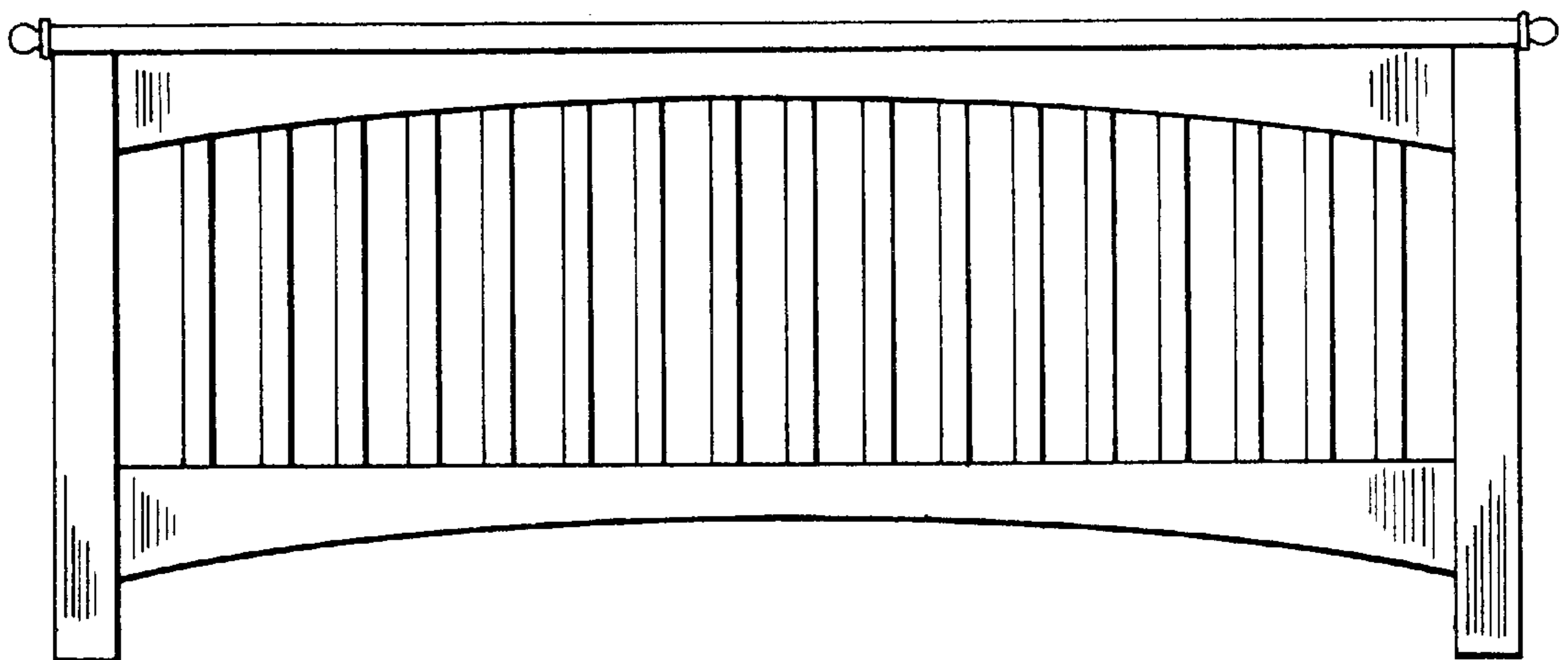


FIG. 8

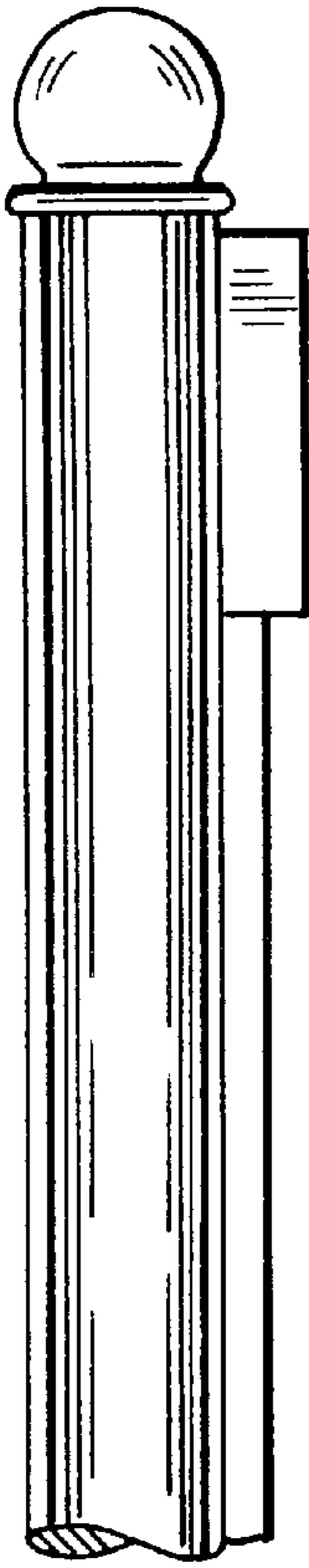


FIG. 9

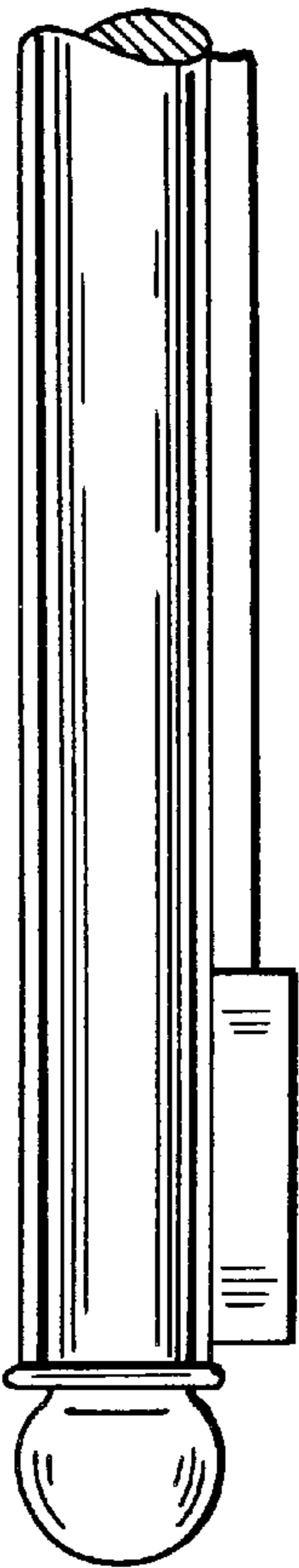


FIG. 10



FIG. 11

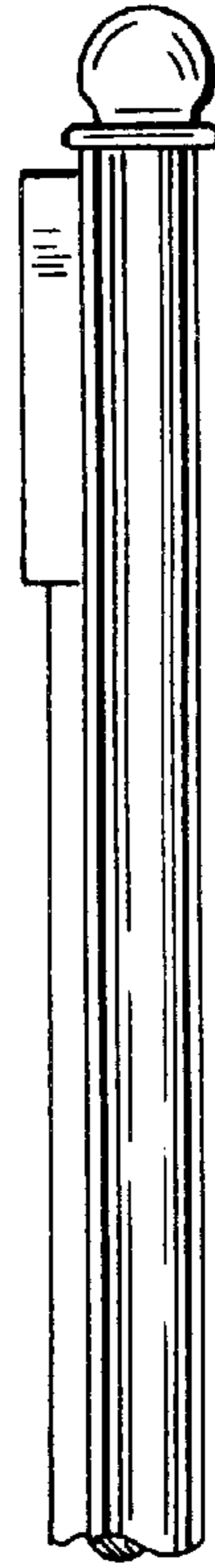


FIG. 12