



US00D408643S

United States Patent [19]
Edwards

[11] **Patent Number: Des. 408,643**

[45] **Date of Patent: **Apr. 27, 1999**

[54] **TODDLER CHAIR**

[76] Inventor: **William Russell Edwards**, 2550
Chesnut Spring Trail, Marietta, Ga.
30062

[**] Term: **14 Years**

[21] Appl. No.: **29/081,185**

[22] Filed: **Dec. 24, 1997**

[51] **LOC (6) Cl.** **06-01**

[52] **U.S. Cl.** **D6/373; D6/375; D6/379**

[58] **Field of Search** D6/334, 335, 371,
D6/373, 374, 375, 379, 500, 501, 502;
297/411.2, 445.1, 446.1, 447.1, 448.2, 452.18

[56] **References Cited**

U.S. PATENT DOCUMENTS

D. 245,821	9/1977	Piper et al.	D6/373
D. 249,989	10/1978	Radselli	D6/373
3,981,538	9/1976	Chubb	D6/373 X

OTHER PUBLICATIONS

How to Make PVC Pipe Furniture, p. 66, Chair at Top right,
©1985.

How to Make PVC Pipe Furniture, p. 68, Chair at bottom
left, ©1985.

Primary Examiner—Gary D. Watson
Attorney, Agent, or Firm—Herbert M. Hanegan; Charles L.
Warner; J. Rodgers Lunsford, III

[57] **CLAIM**

The ornamental design for a toddler chair, as shown and
described.

DESCRIPTION

FIG. 1 is a perspective view of a toddler chair, showing my
new design;

FIG. 2 is a front view thereof;

FIG. 3 is a left side view thereof;

FIG. 4 is a rear view thereof;

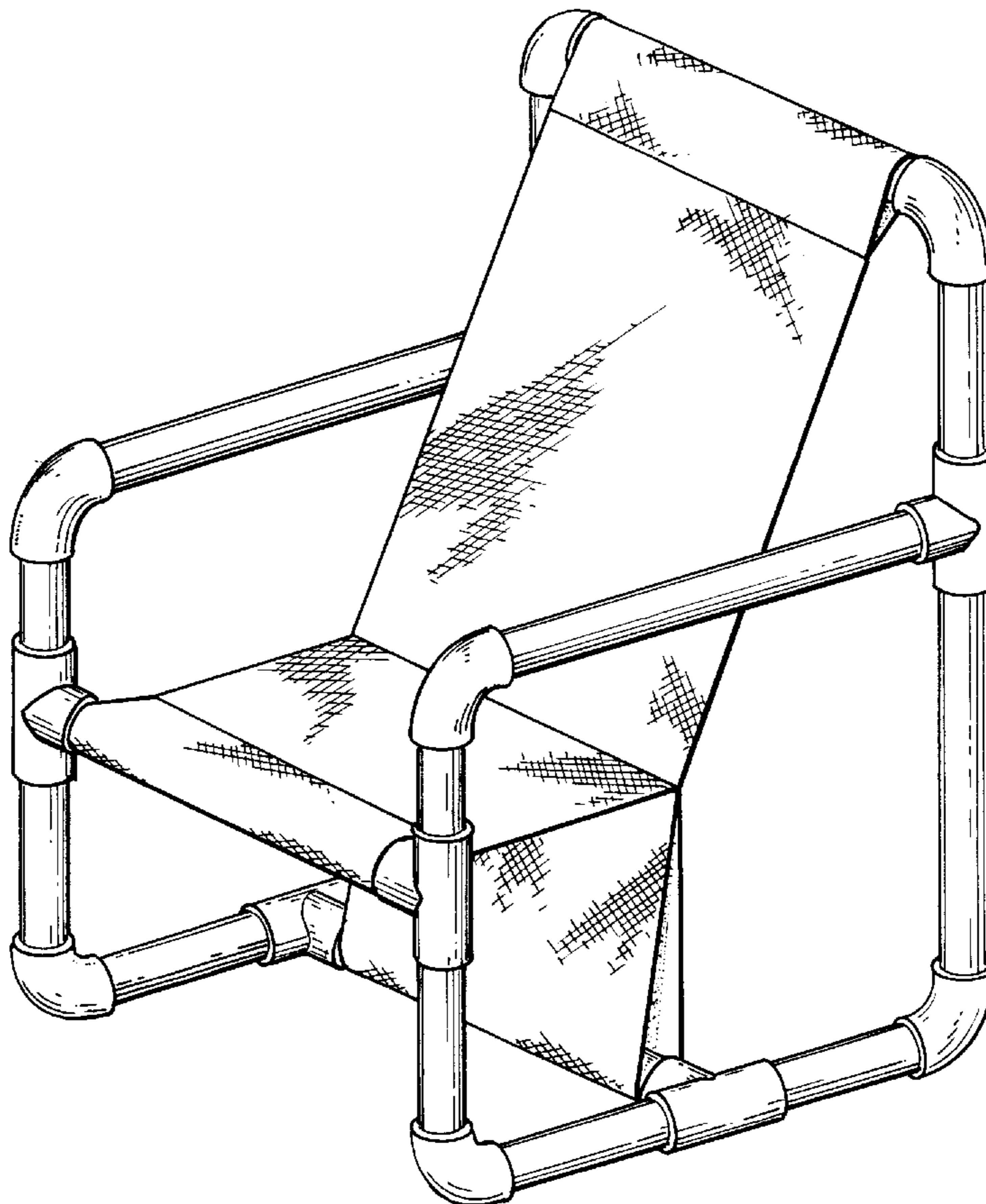
FIG. 5 is a right side view thereof;

FIG. 6 is a top plan view thereof; and,

FIG. 7 is a bottom view thereof.

The fragmented cross-hatching shown on the seat and back-
rest member is understood to represent fabric and would be
continuous throughout the implied areas.

1 Claim, 4 Drawing Sheets



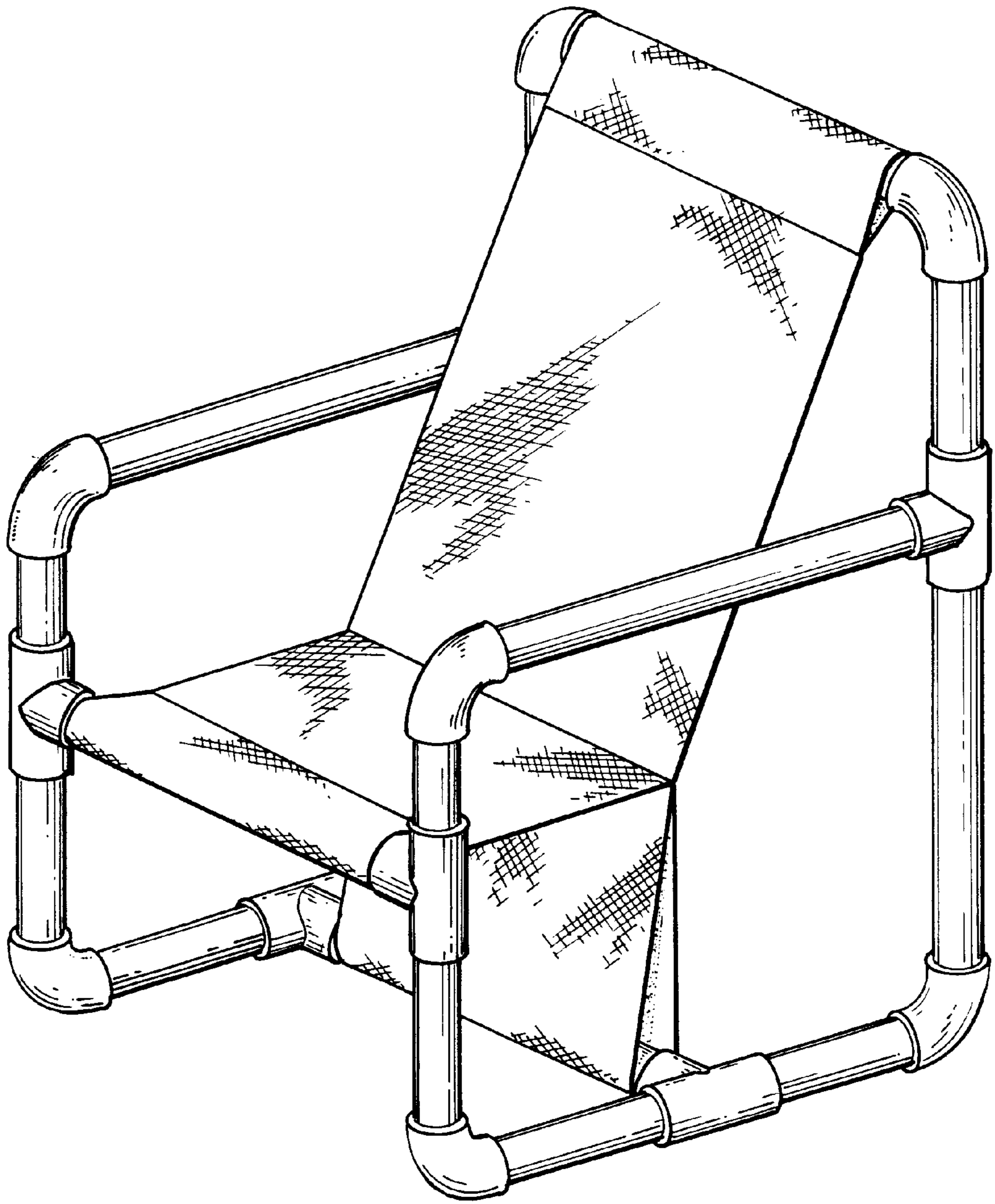


Fig. 1

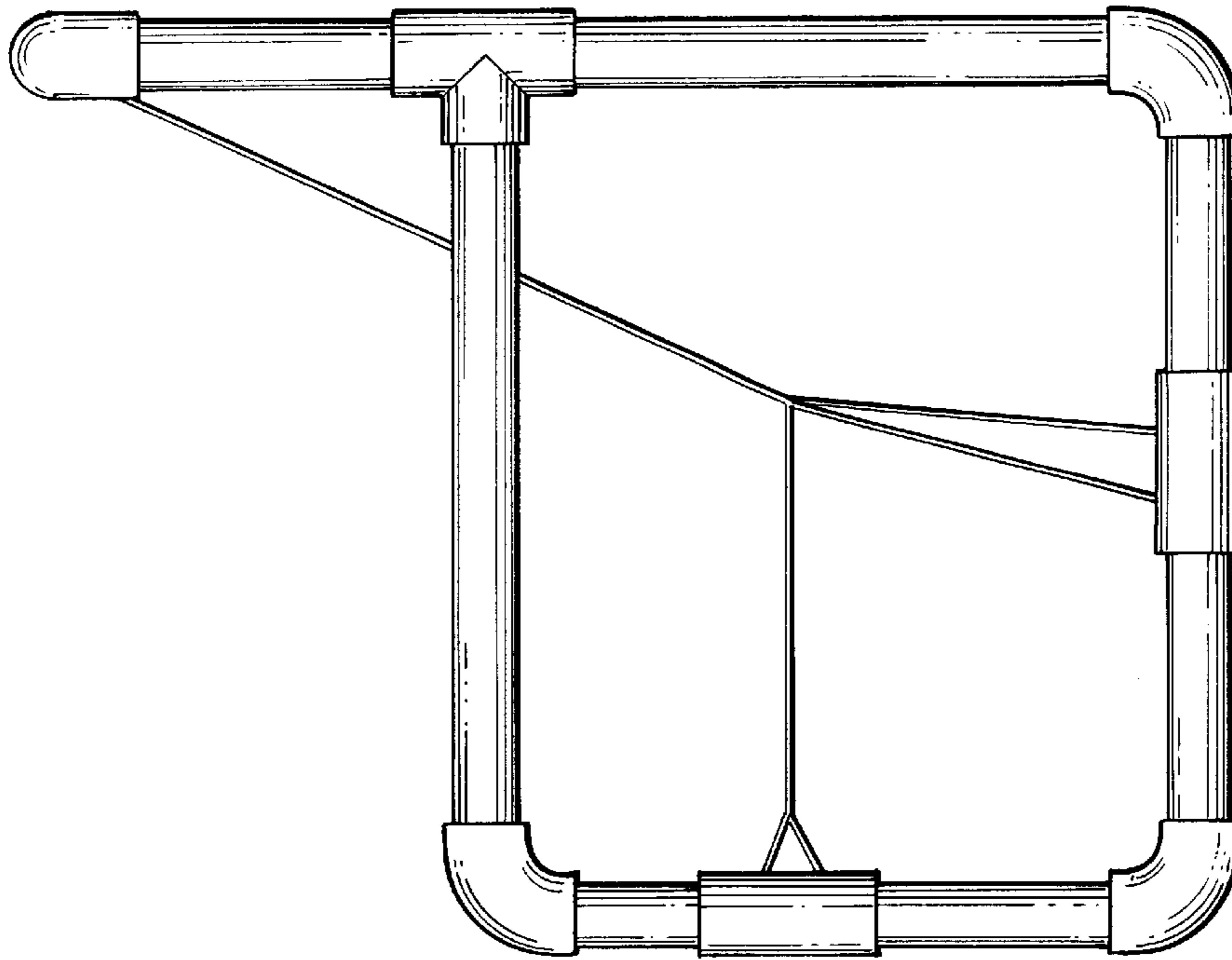


Fig. 3

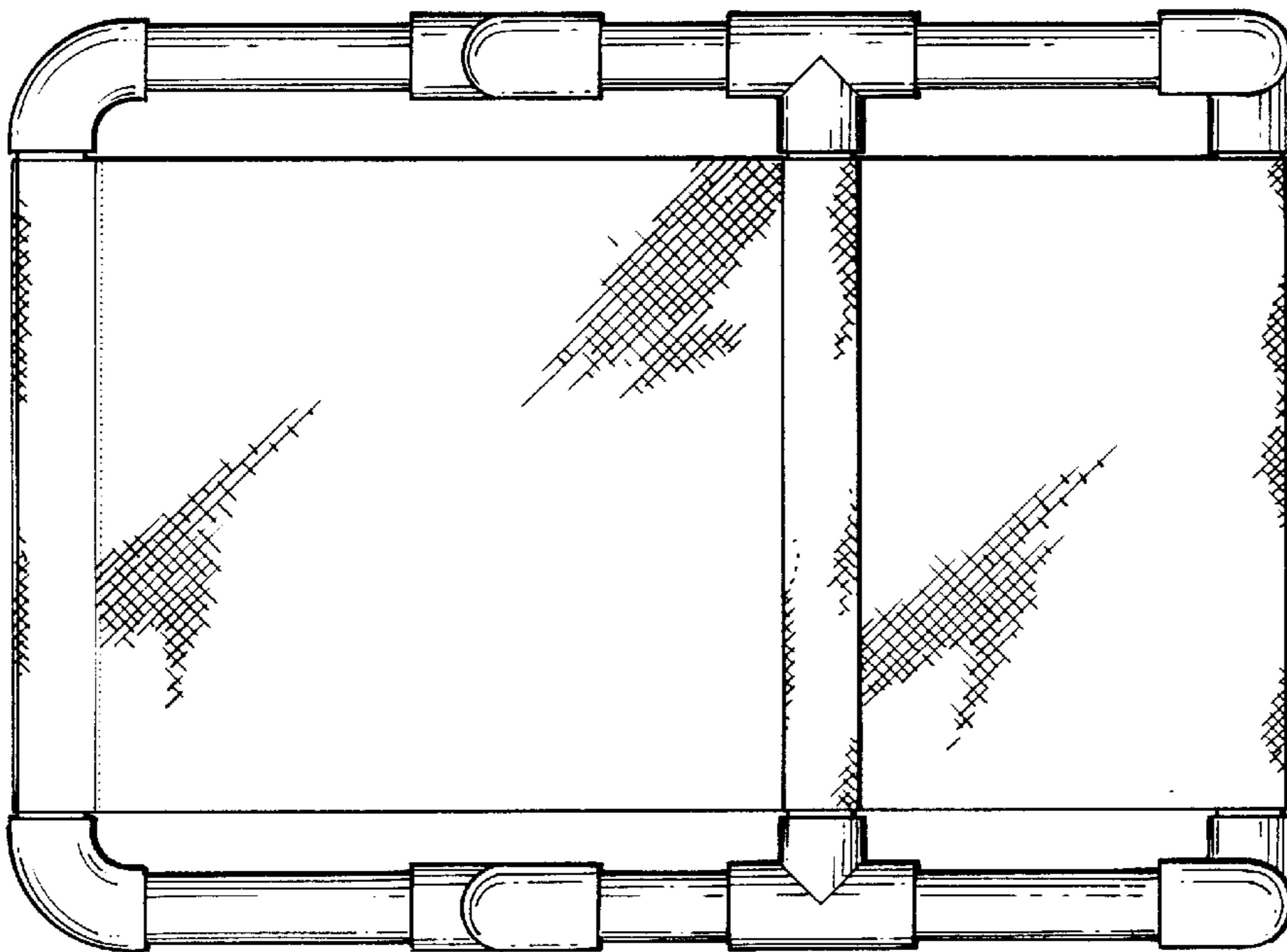


Fig. 2

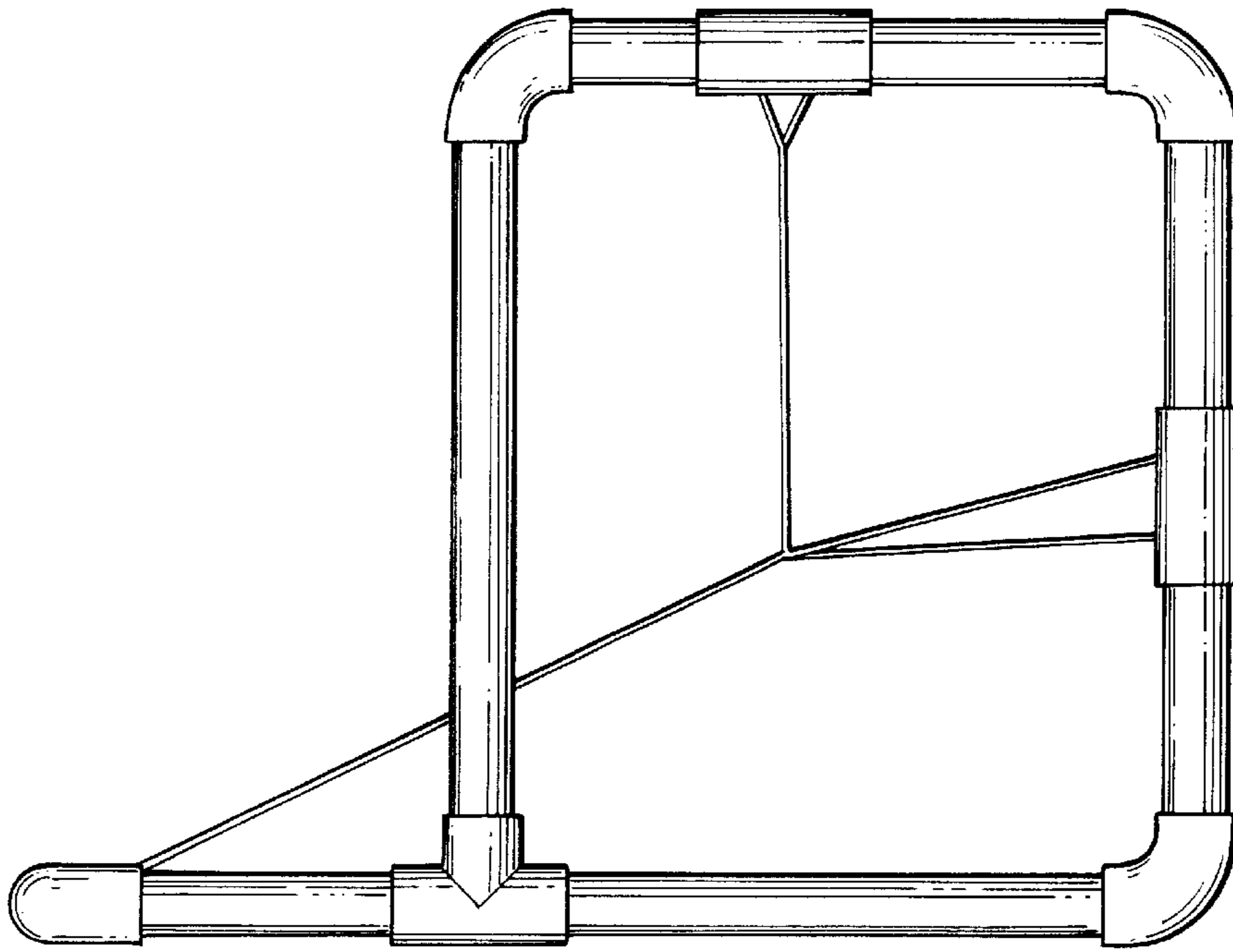


Fig. 5

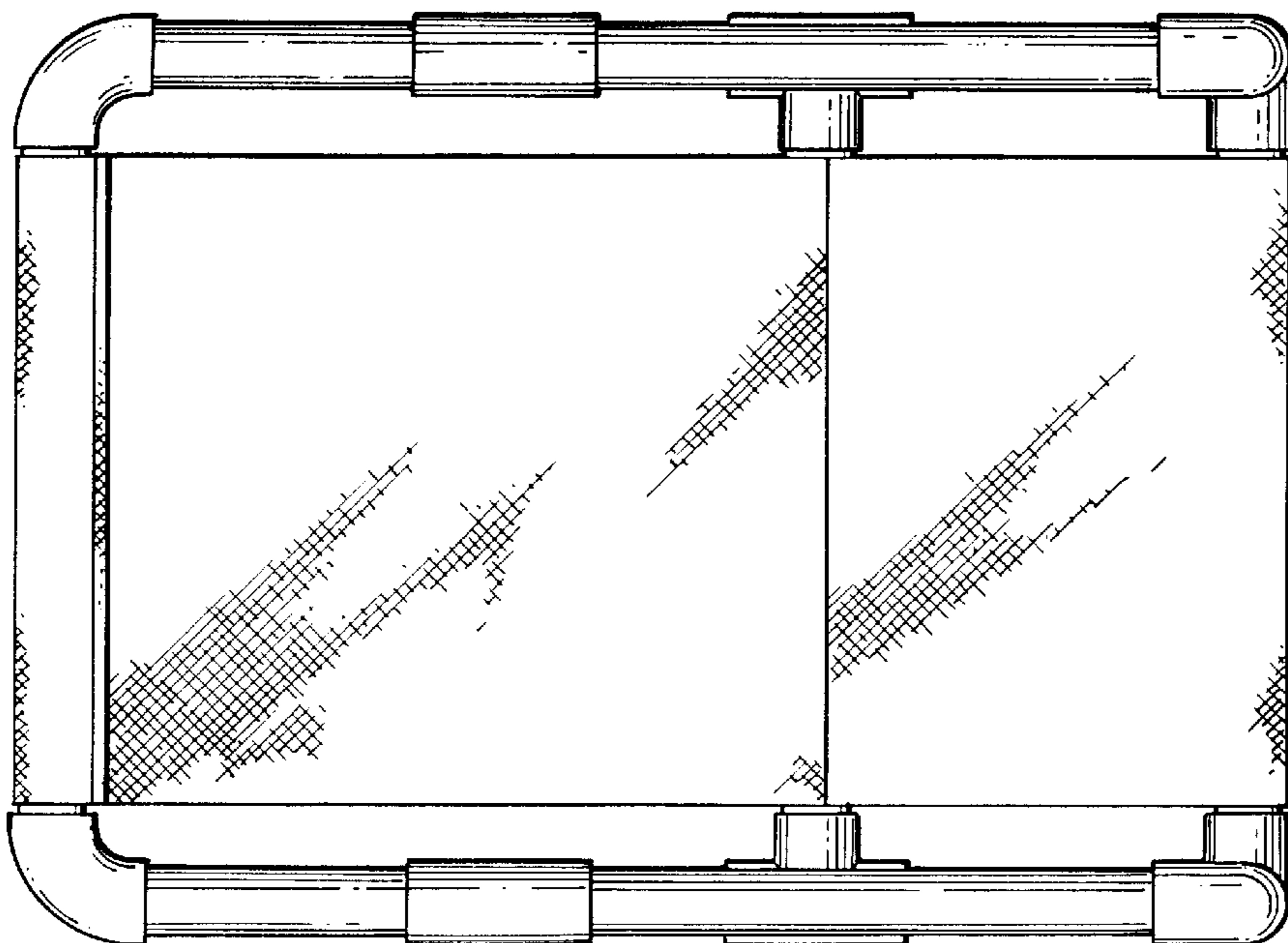


Fig. 4

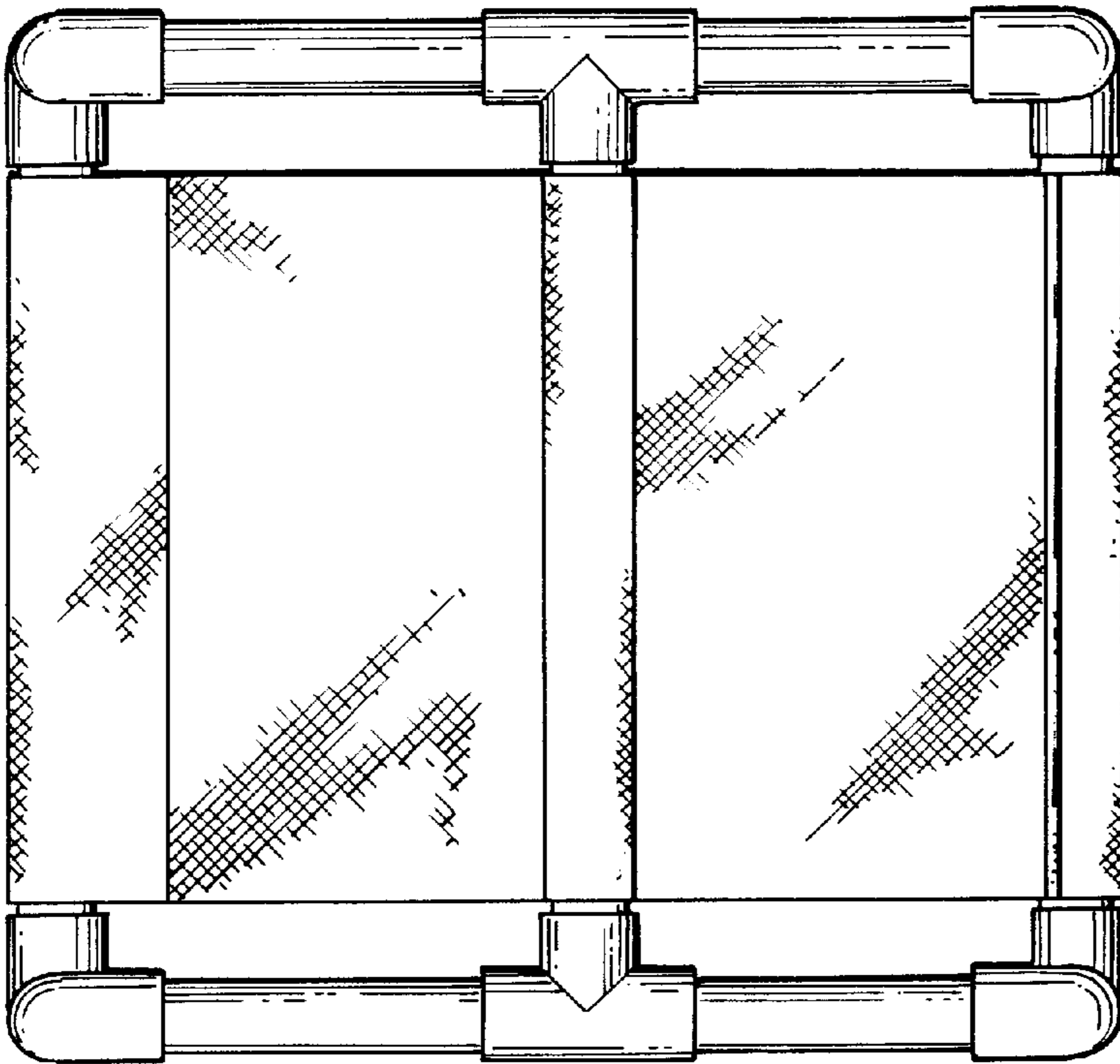


Fig. 7

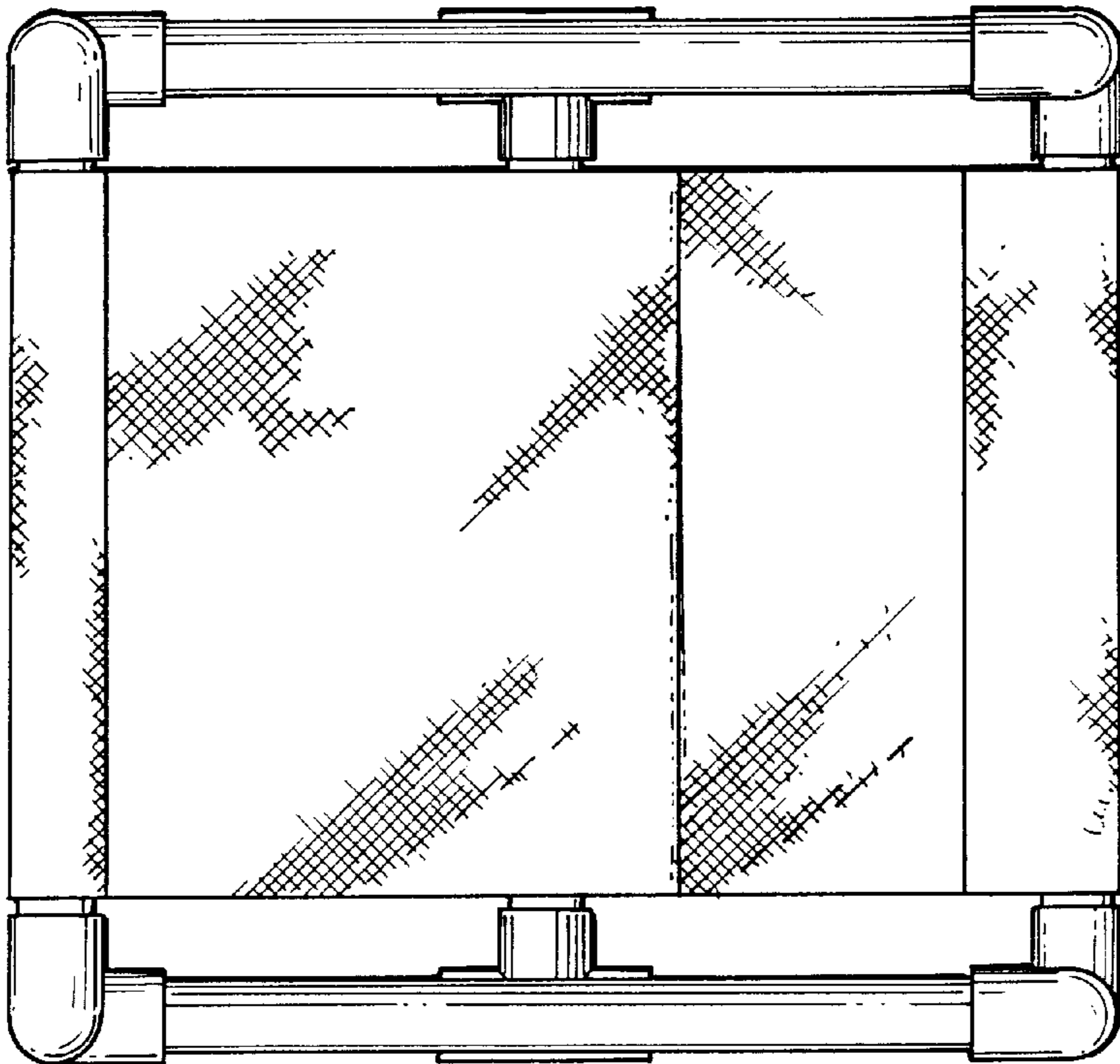


Fig. 6