



US00D408640S

United States Patent [19] Good

[11] **Patent Number: Des. 408,640**

[45] **Date of Patent: ** Apr. 27, 1999**

[54] **FOLDING ROCKING CHAIR**

[76] Inventor: **Bill H Good**, 1011 White Pine Dr., Lynchburg, Va. 24501

[**] Term: **14 Years**

[21] Appl. No.: **29/082,122**

[22] Filed: **Jan. 15, 1998**

[51] **LOC (6) Cl. 06-01**

[52] **U.S. Cl. D6/348**

[58] **Field of Search** D6/334, 344, 347, D6/348, 360, 368, 373, 374, 375; 297/56, 183.5, 188.08, 188.09, 217.1, 258.1, 259.1, 259.2, 259.3, 260.1, 270.1, 273, 287, 391

[56] **References Cited**

U.S. PATENT DOCUMENTS

D. 220,908	6/1971	Smith	D6/375
D. 244,646	6/1977	Uchida	D6/348
D. 265,444	7/1982	Nii	D6/373
3,621,192	11/1971	Pohler	297/56

OTHER PUBLICATIONS

Illustrating No. 241-15, p.9, Gold Medal Folding Furniture magazine, Dec. 4, 1942.

Primary Examiner—Doris V. Coles

Assistant Examiner—Mimosa De

[57] **CLAIM**

The ornamental design for a folding rocking chair, as shown.

DESCRIPTION

FIG. 1 is a front elevational view of the folding rocking chair of the present invention;

FIG. 2 is a back elevational view of the folding rocking chair of FIG. 1;

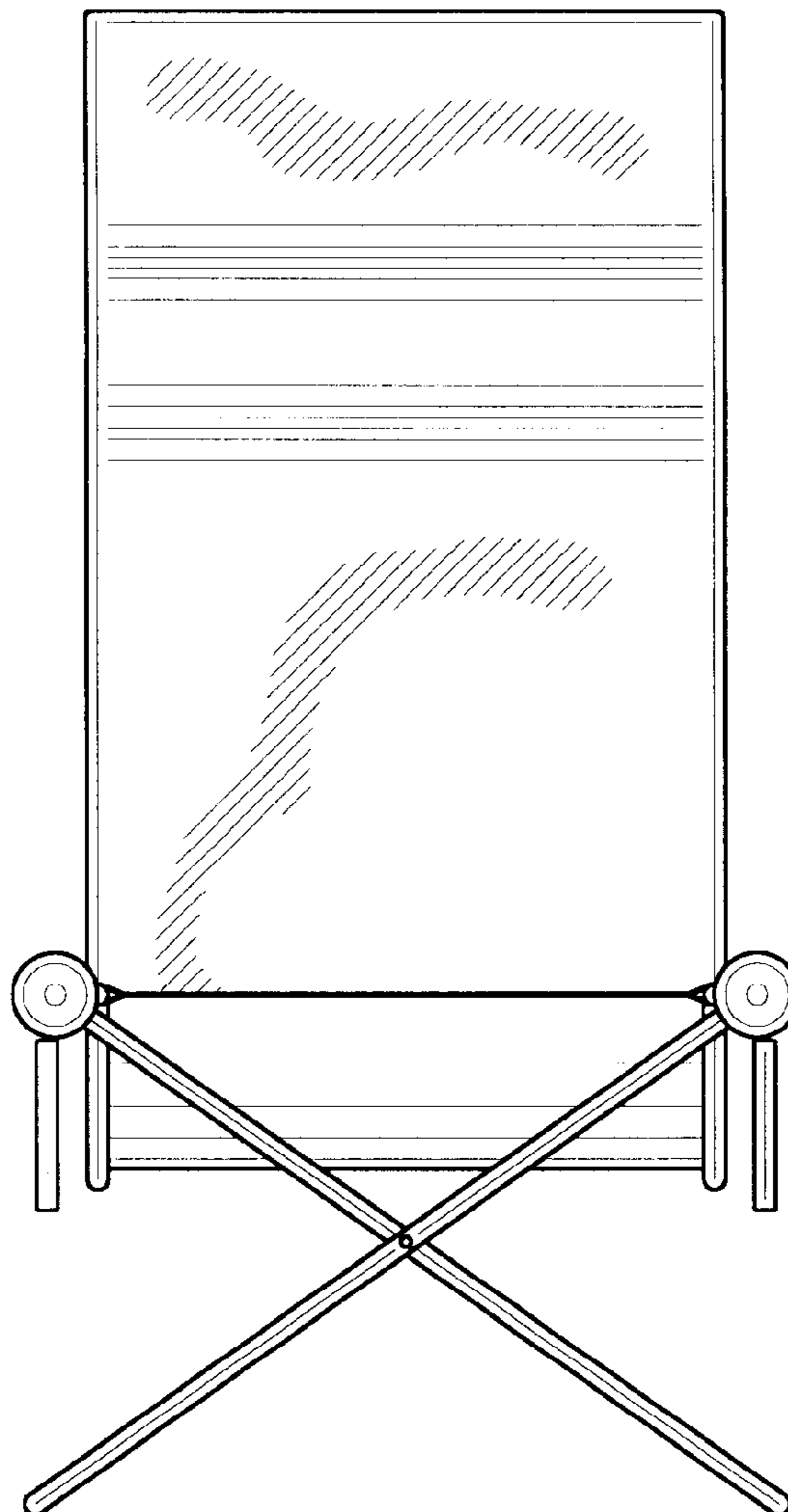
FIG. 3 is a left side elevational view of the folding rocking chair of FIG. 1;

FIG. 4 is a right side elevational view of the folding rocking chair of FIG. 1;

FIG. 5 is a top plan view of the folding rocking chair of FIG. 1; and,

FIG. 6 is a bottom plan view of the folding rocking chair of FIG. 1.

1 Claim, 3 Drawing Sheets



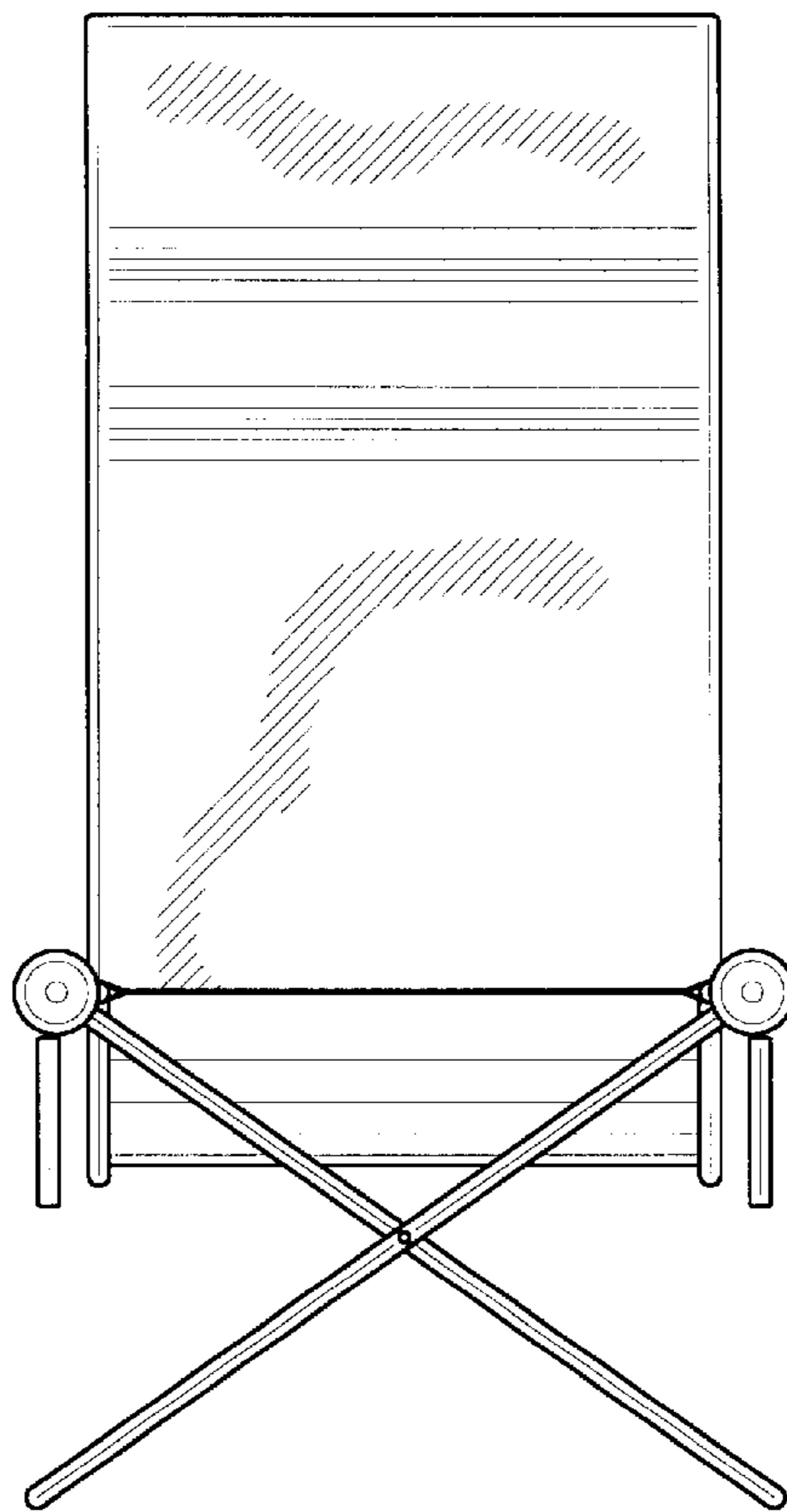


Fig. 1

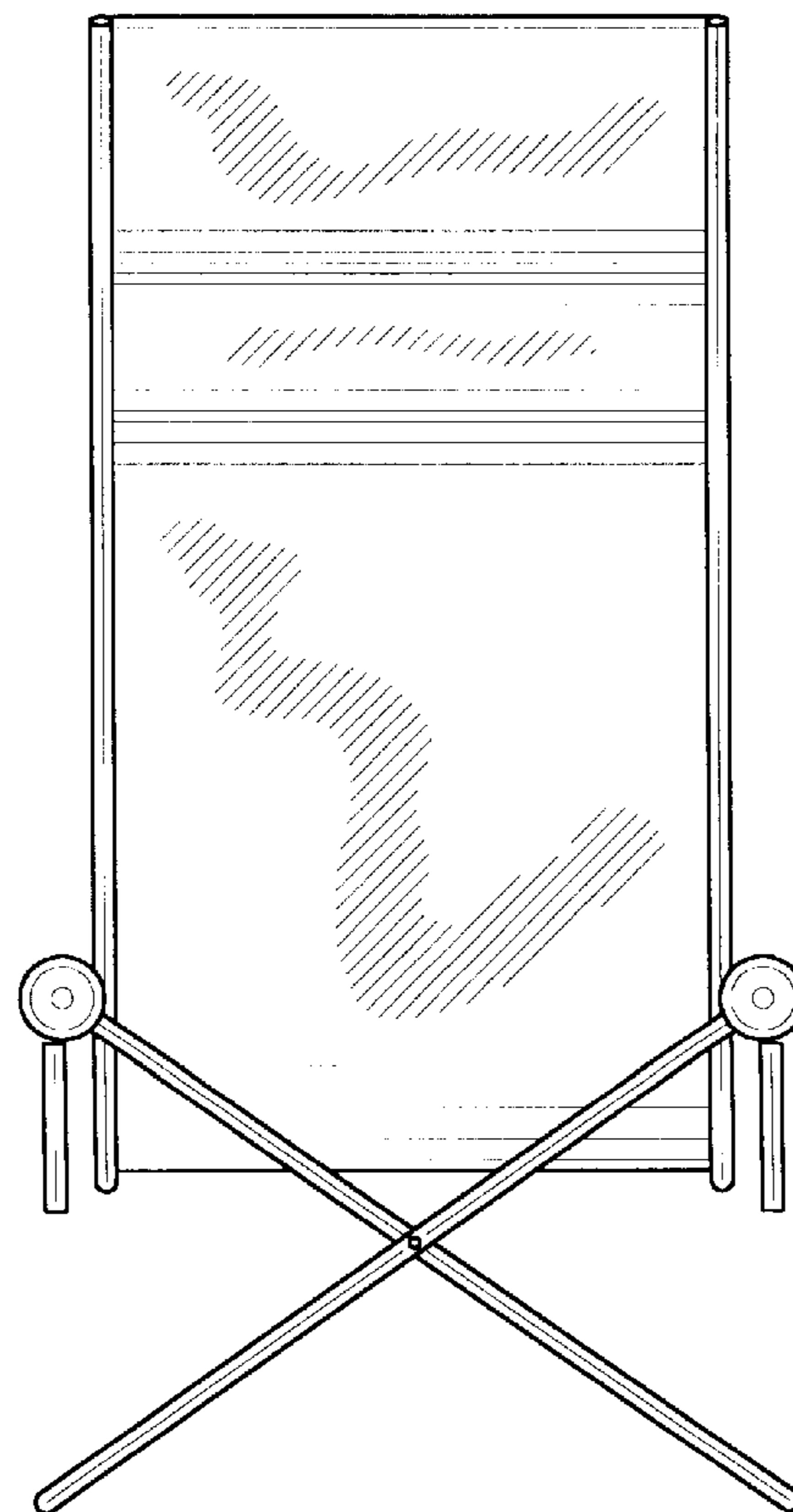


Fig. 2

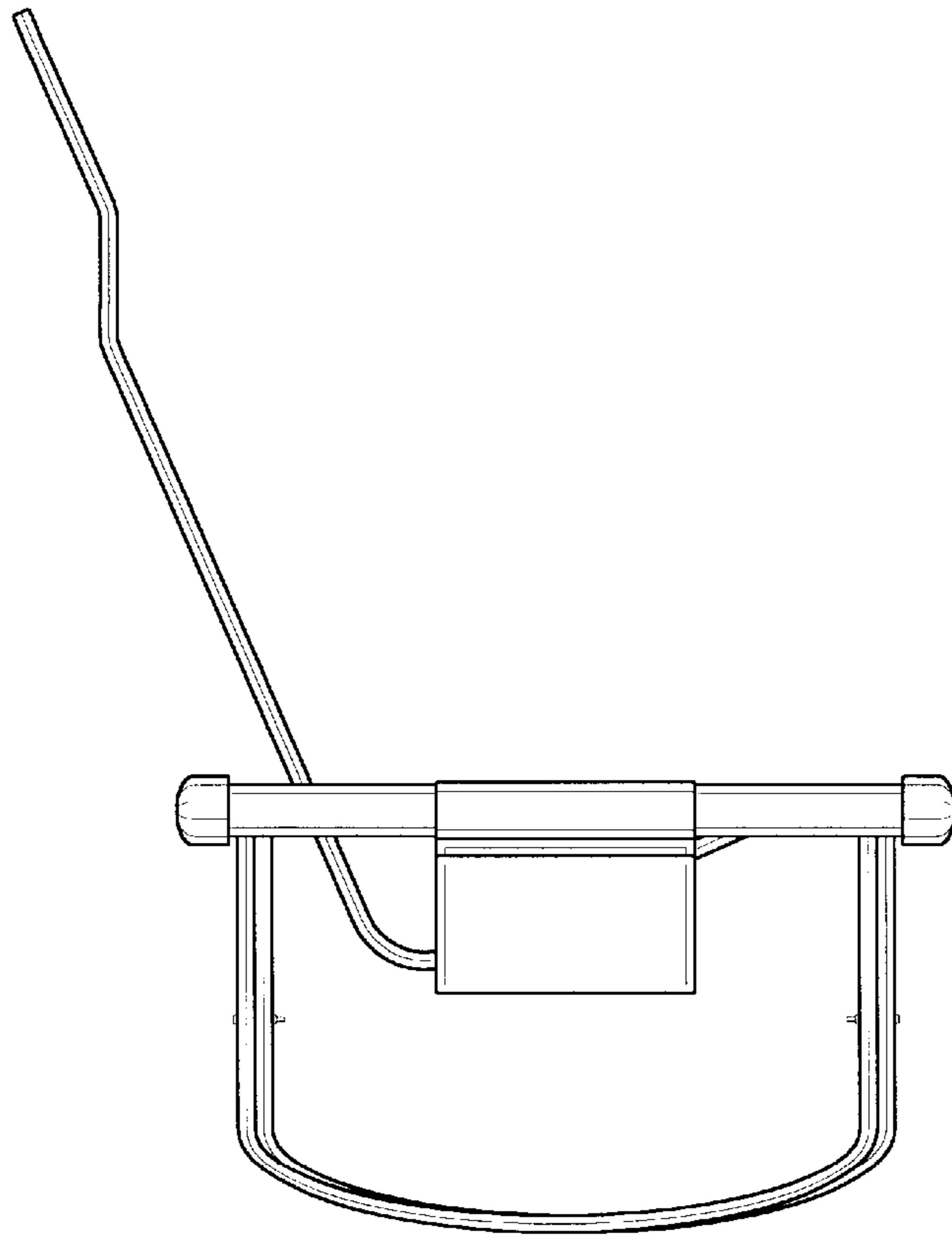


Fig. 3

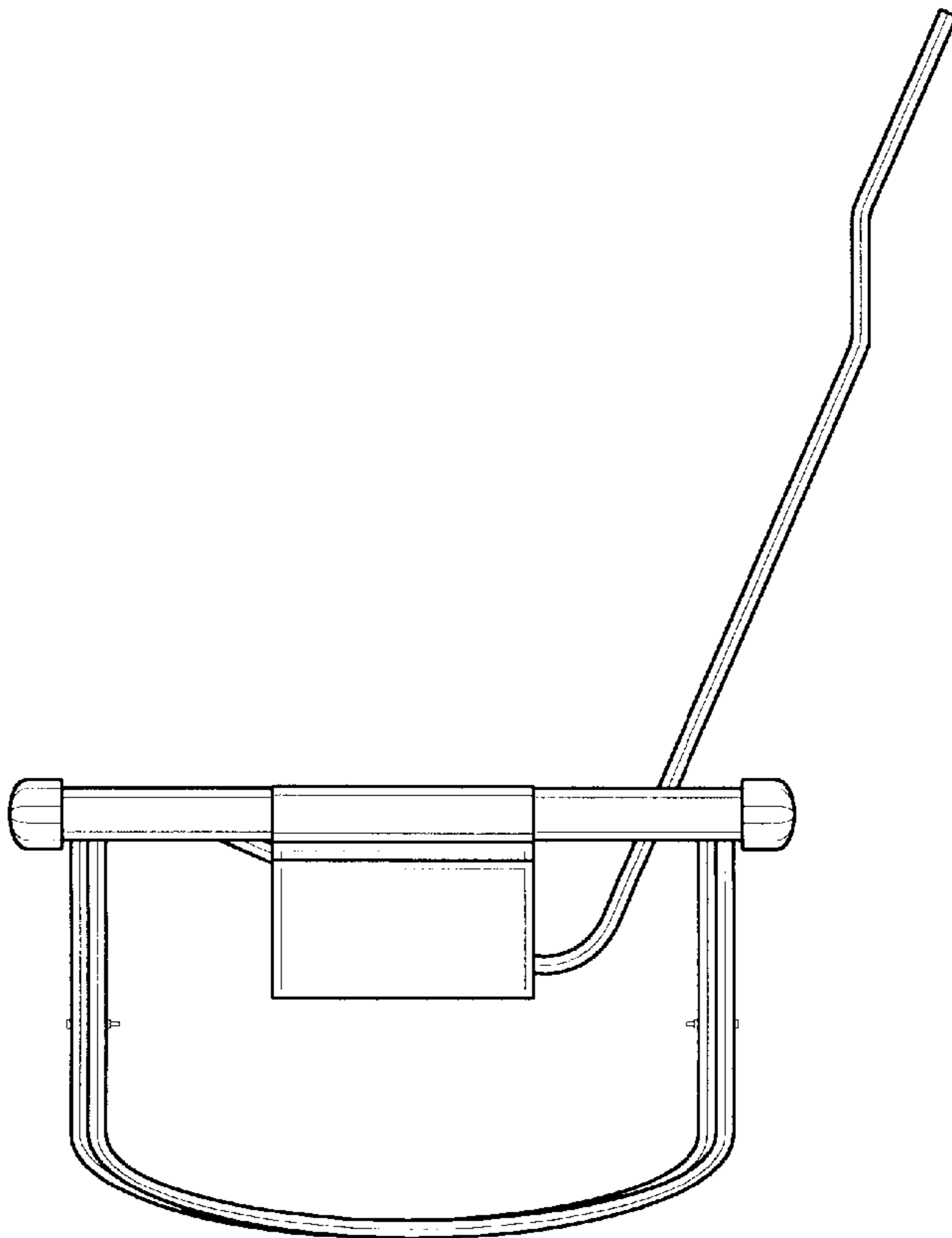


Fig. 4

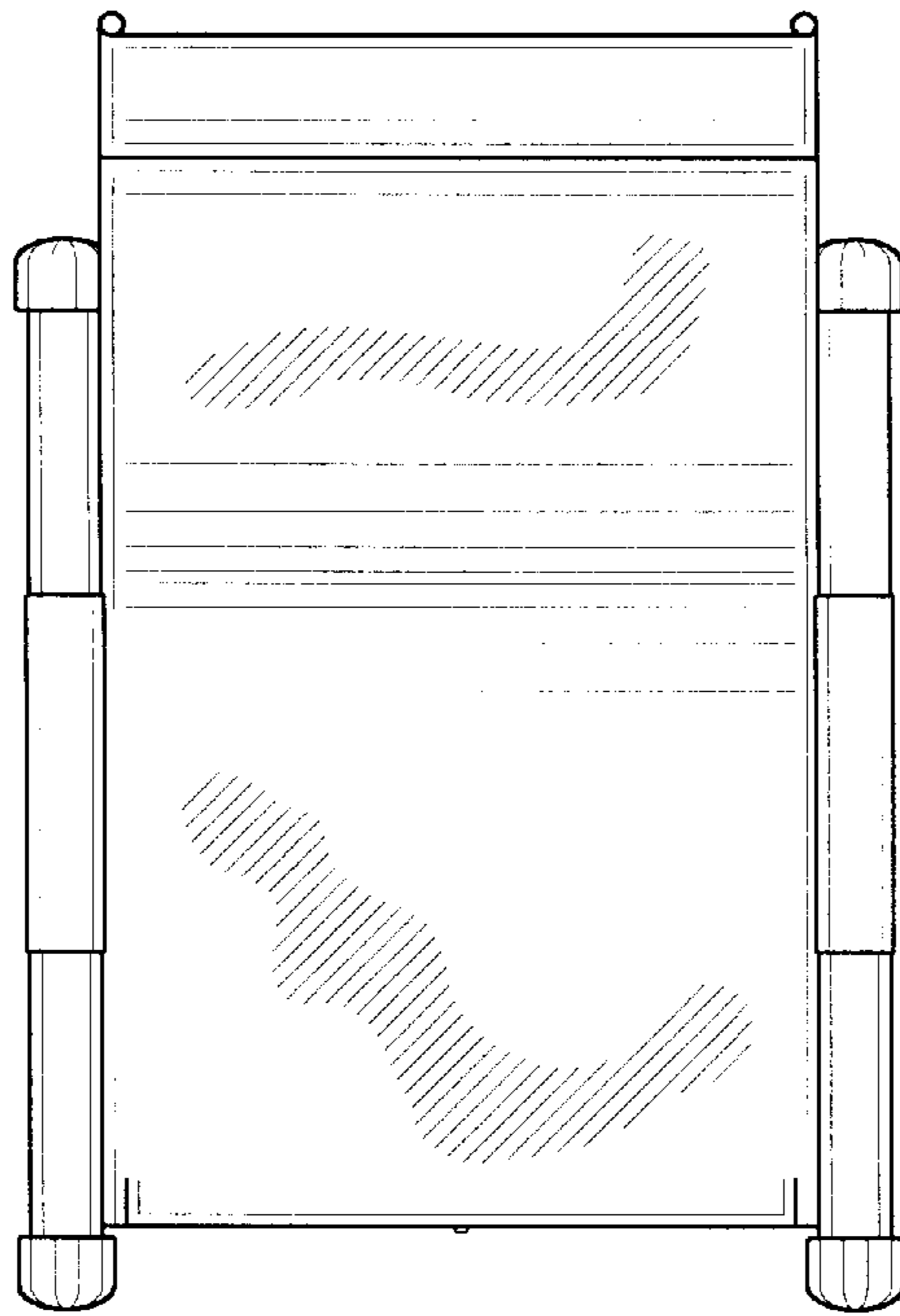


Fig. 5

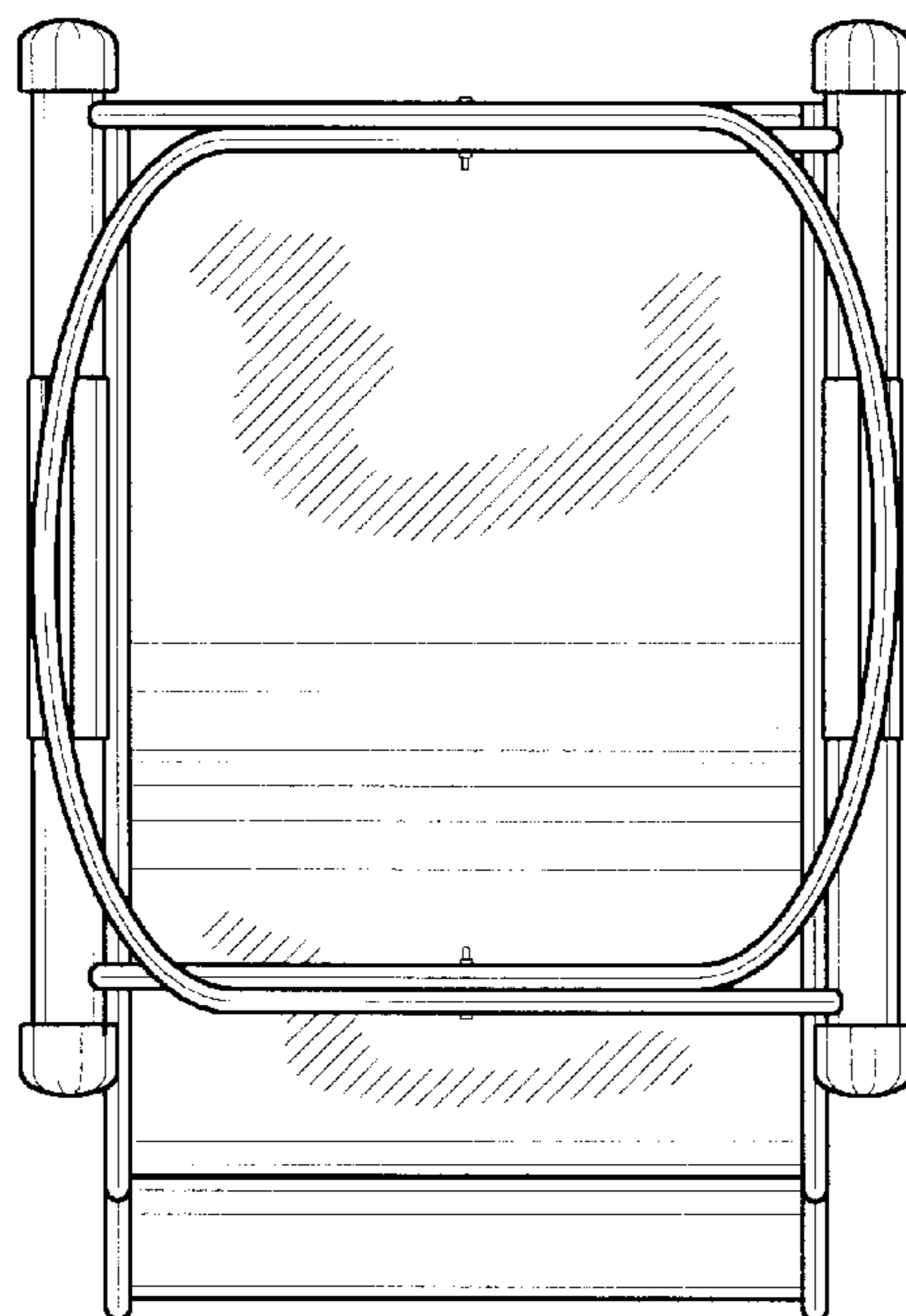


Fig. 6